



US00D657492S

(12) **United States Design Patent**
Blincoe et al.

(10) **Patent No.:** **US D657,492 S**
(45) **Date of Patent:** **** Apr. 10, 2012**

- (54) **LIGHTING FIXTURE**
- (75) Inventors: **Patrick Stephen Blincoe**, Kirkville, NY (US); **Clifford Randy Helmer**, Fulton, NY (US); **Andrew Adams Litteer**, Clay, NY (US)
- (73) Assignee: **Cooper Technologies Company**, Houston, TX (US)
- (**) Term: **14 Years**
- (21) Appl. No.: **29/396,320**
- (22) Filed: **Jun. 28, 2011**

3,023,264 A	2/1962	Allison	
3,239,003 A	3/1966	Boudette et al.	
D205,770 S	9/1966	Coe	
3,372,733 A *	3/1968	Callender	165/80.3
D212,708 S	11/1968	Mayer	
4,105,905 A	8/1978	Barcus	
D250,124 S *	10/1978	Glaspie et al.	D23/209
D267,005 S	11/1982	Dennis	
4,715,438 A	12/1987	Gabuzda et al.	
D297,671 S *	9/1988	Groh	D26/63
4,841,422 A	6/1989	Groh	
D303,437 S	9/1989	Mason	
D307,461 S *	4/1990	Kim	D23/209
D339,651 S	9/1993	Vieyra	
5,375,652 A *	12/1994	Matsunaga et al.	165/80.3
5,397,919 A *	3/1995	Tata et al.	257/717
5,412,535 A *	5/1995	Chao et al.	361/700
5,690,424 A	11/1997	Warshauer et al.	
D397,482 S	8/1998	Binsukor	

Related U.S. Application Data

- (62) Division of application No. 29/358,164, filed on Mar. 23, 2010, now Pat. No. Des. 642,732.
- (51) **LOC (9) Cl.** **26-99**
- (52) **U.S. Cl.** **D26/152**
- (58) **Field of Classification Search** D26/72, D26/74, 113, 118, 85, 71, 63, 120, 122, 87, D26/86, 84, 73, 75, 119, 121, 123, 124, 125, D26/126, 127, 128, 129, 130, 131, 132, 134, D26/135, 136, 137, 138, 139, 140, 141, 142, D26/143, 144, 145, 146, 147, 151, 152, 153, D26/154, 155, 90, 91, 92, 93, 61, 62, 64, D26/65, 66, 67, 68, 69, 51, 59, 1, 2; 362/240, 362/147, 146, 600, 294, 276, 431, 545.3, 362/394, 355, 362, 413, 373; D11/121; 257/727, 257/713, 719, 717; 361/695, 700, 709; 165/121, 165/185, 80.3, 104.26
See application file for complete search history.

(56) **References Cited**

U.S. PATENT DOCUMENTS

- 2,432,513 A * 12/1947 Depew 313/44
- 2,883,591 A * 4/1959 Camp 257/715

(Continued)

Primary Examiner — Kevin Rudzinski

(74) *Attorney, Agent, or Firm* — King & Spalding LLP

(57) **CLAIM**

The ornamental design for a lighting fixture, as shown and described.

DESCRIPTION

FIG. 1 is a perspective view of a lighting fixture in accordance with our design.

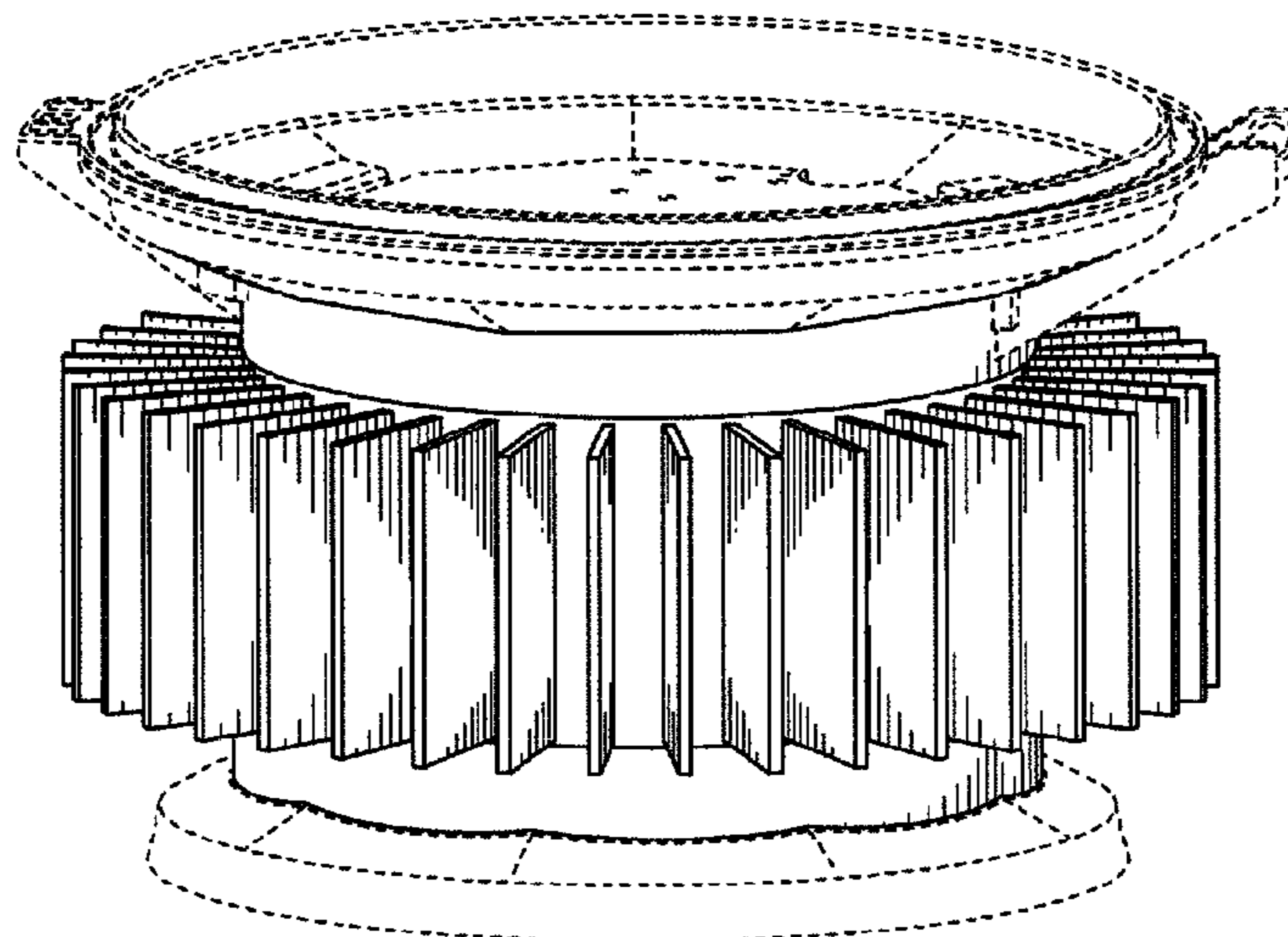
FIG. 2 is a top view of the lighting fixture of FIG. 1 in accordance with our design.

FIG. 3 is a perspective view of another lighting fixture in accordance with our design; and,

FIG. 4 is a top view of the lighting fixture of FIG. 3 in accordance with our design.

The broken lines shown in the drawings illustrate unclaimed portions of the lighting fixture and form no part of the claimed design.

1 Claim, 2 Drawing Sheets



US D657,492 S

Page 2

U.S. PATENT DOCUMENTS

5,794,685	A	8/1998	Dean	
D400,278	S	10/1998	Binsukor	
5,945,736	A *	8/1999	Rife et al.	257/719
6,304,451	B1 *	10/2001	Rife	361/704
6,330,908	B1	12/2001	Lee et al.	
6,437,469	B1	8/2002	Davis et al.	
6,491,091	B1 *	12/2002	Lin et al.	165/80.3
D473,529	S *	4/2003	Feinbloom	D13/179
D481,688	S	11/2003	Lee et al.	
6,828,673	B2 *	12/2004	Ficorilli et al.	257/707
6,851,467	B1	2/2005	Bamford et al.	
6,938,680	B2 *	9/2005	Garner et al.	165/104.26
D530,779	S *	10/2006	Lee	D23/207
D550,391	S	9/2007	Cesaro	
7,273,091	B2 *	9/2007	Bahl et al.	165/121
D573,290	S	7/2008	Shuai et al.	
D579,420	S *	10/2008	Chu	D13/179
D579,602	S	10/2008	Gotz-Schafer	
7,438,448	B2	10/2008	Chen	
D592,799	S	5/2009	Scott	
D593,044	S	5/2009	Chen	
D595,011	S	6/2009	Scott	
7,553,047	B2 *	6/2009	Shin et al.	362/294
D596,764	S *	7/2009	Yang et al.	D26/2
D597,247	S *	7/2009	Meyer et al.	D26/113
D602,193	S	10/2009	Soderman et al.	
D602,194	S	10/2009	Soderman et al.	
D602,195	S	10/2009	Soderman et al.	
7,611,264	B1 *	11/2009	Chang et al.	362/249.02
7,712,927	B2 *	5/2010	Shuai et al.	362/294
D623,779	S *	9/2010	Wang et al.	D26/2
D627,912	S *	11/2010	Mo	D26/72
D636,517	S *	4/2011	Robinson	D26/67
D642,316	S *	7/2011	Zheng et al.	D26/72
2006/0082972	A1	4/2006	Kim	
2006/0102324	A1 *	5/2006	Mok et al.	165/104.33
2006/0196636	A1 *	9/2006	Liu	165/80.3
2007/0242461	A1	10/2007	Reisenauer et al.	
2007/0253202	A1	11/2007	Wu et al.	
2007/0297177	A1 *	12/2007	Wang et al.	362/294
2009/0009999	A1	1/2009	Wang et al.	
2009/0067191	A1	3/2009	Faber et al.	
2009/0147517	A1 *	6/2009	Li et al.	362/249.02
2009/0147520	A1 *	6/2009	Liu et al.	362/294
2009/0279314	A1 *	11/2009	Wu et al.	362/373

* cited by examiner

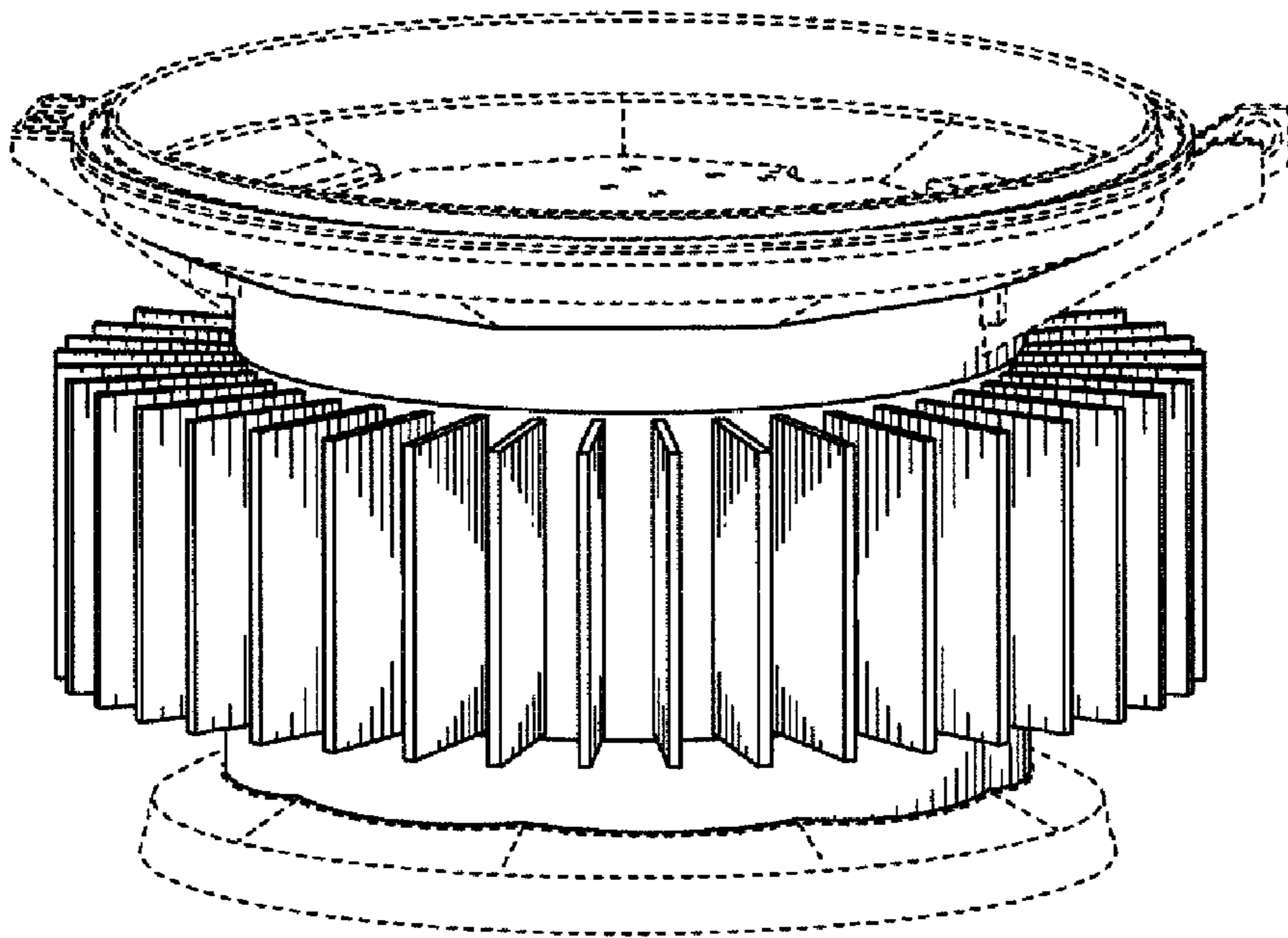


FIG. 1

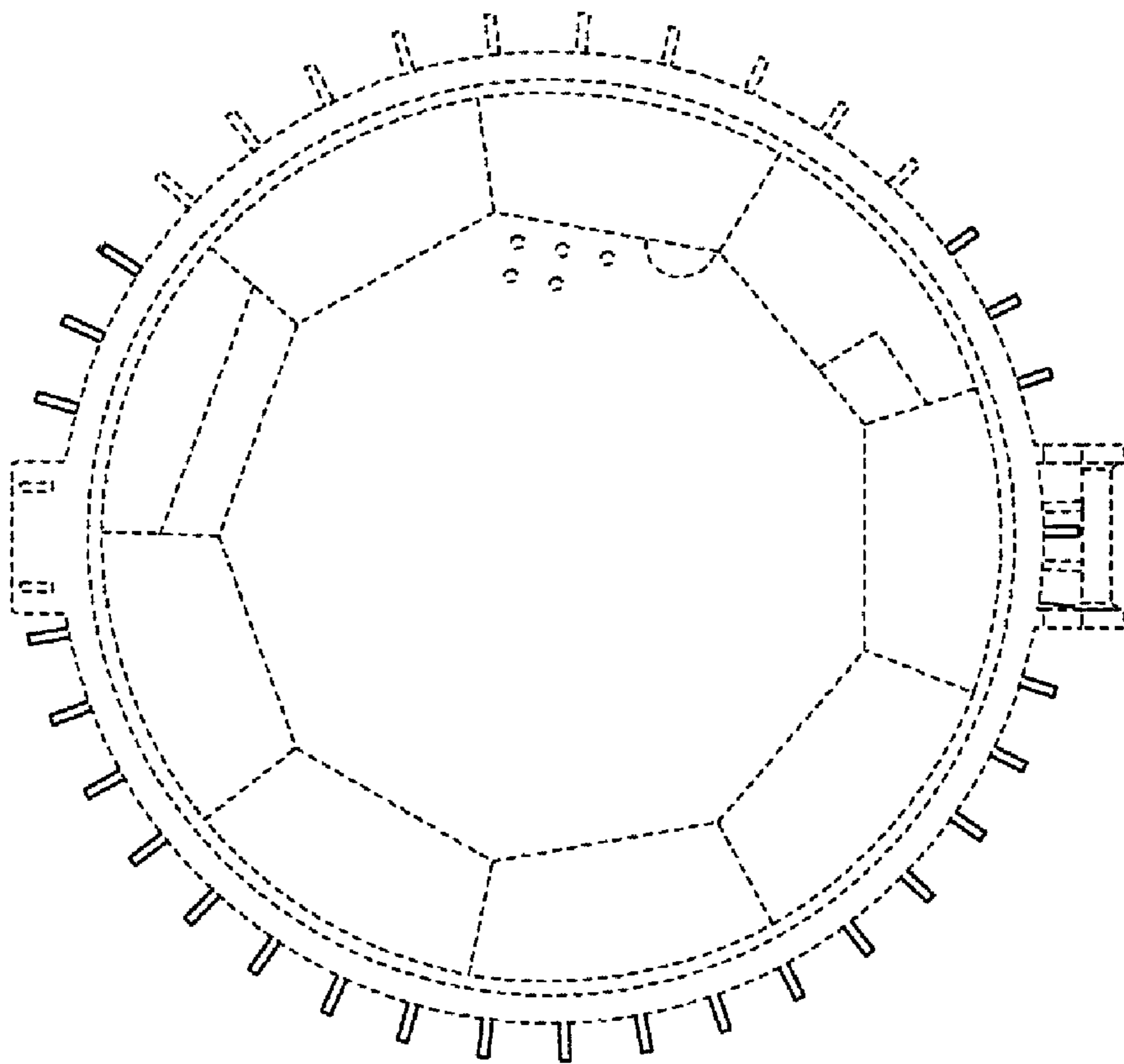


FIG. 2

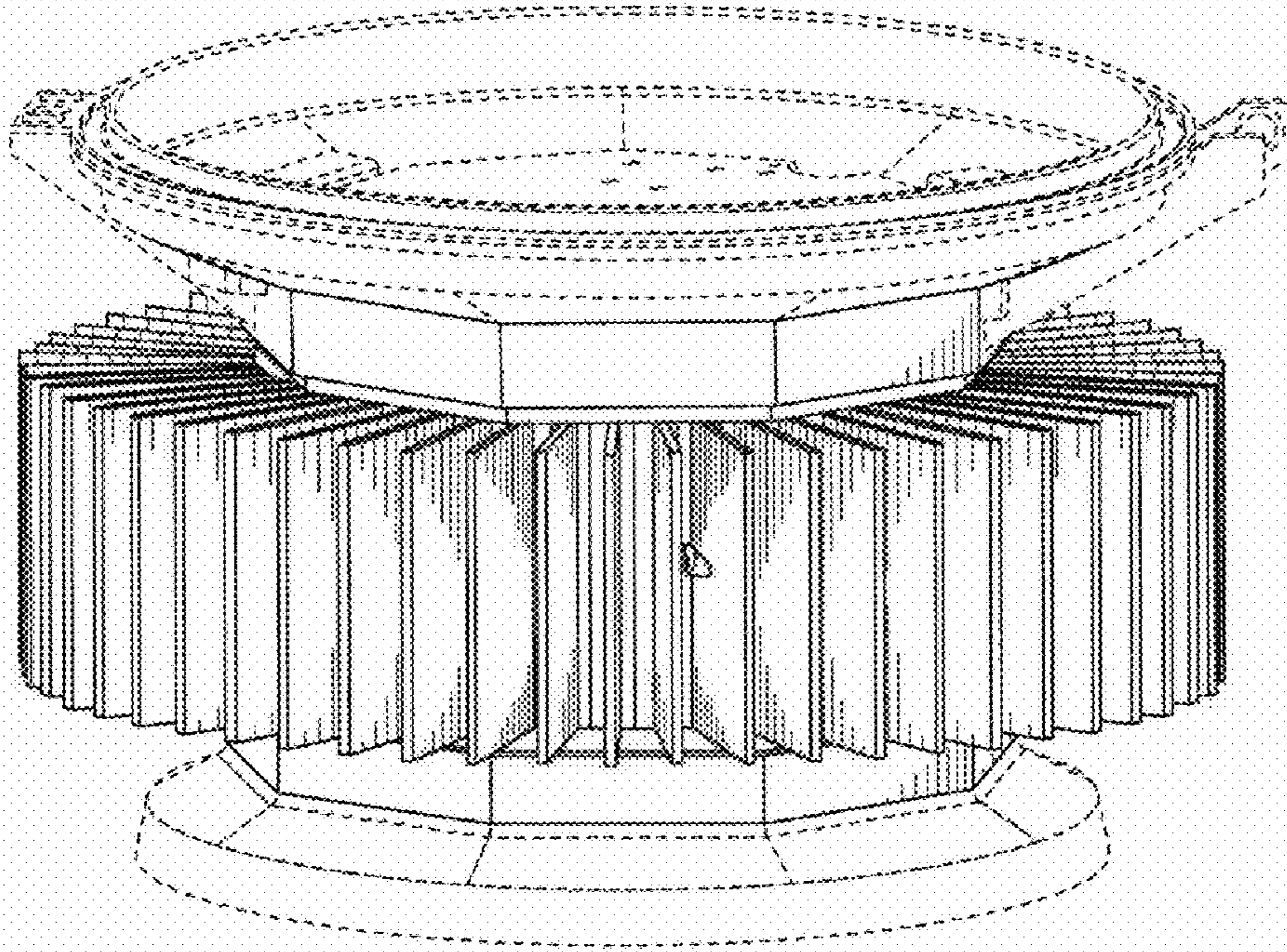


FIG. 3

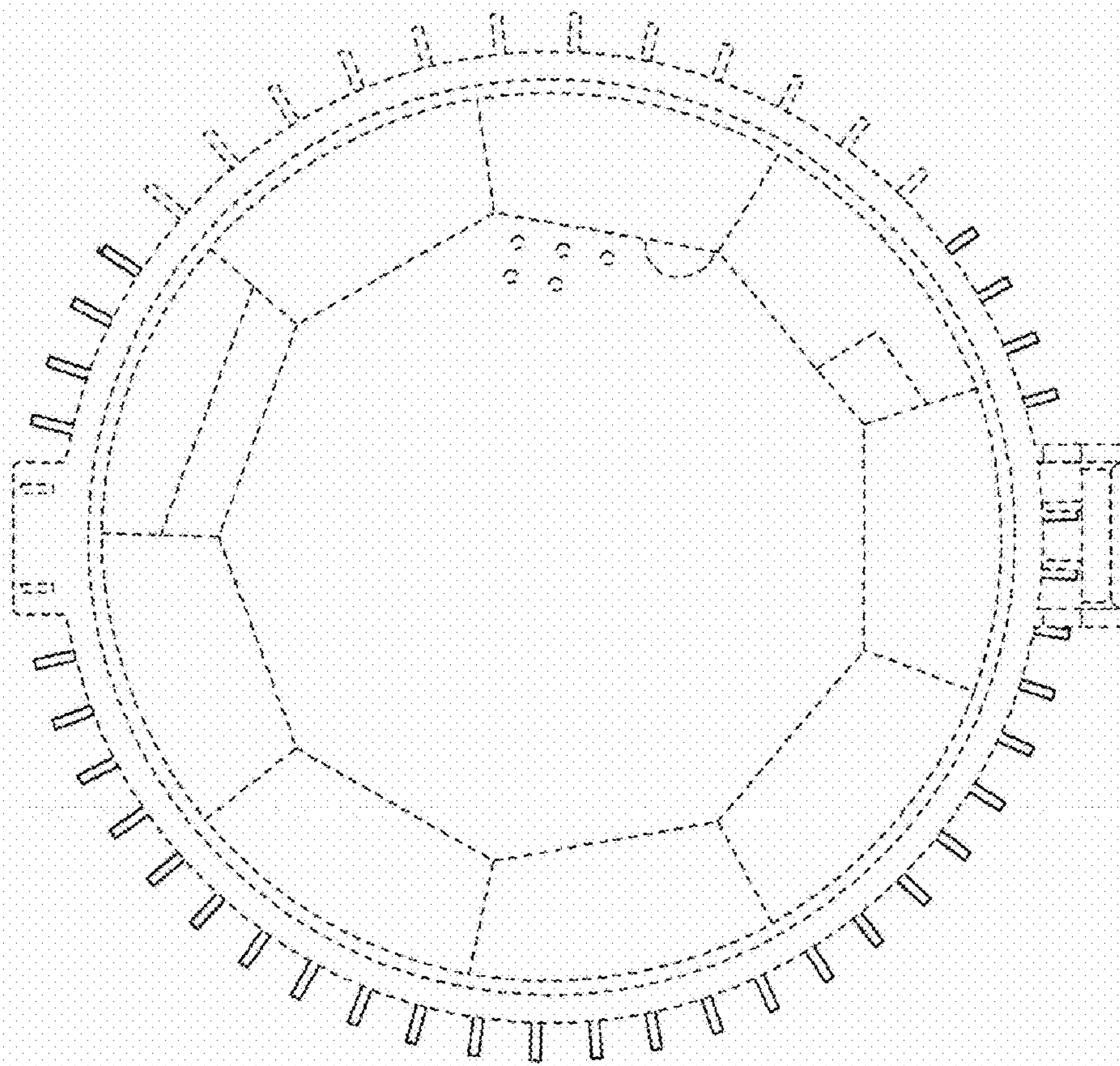


FIG. 4