



US00D657489S

(12) **United States Design Patent**
Johnstone

(10) **Patent No.:** **US D657,489 S**

(45) **Date of Patent:** **** Apr. 10, 2012**

(54) **OUTDOOR FLOODLIGHT EXTENDER**

(76) Inventor: **Neil Johnstone**, Eagle Lake, FL (US)

(**) Term: **14 Years**

(21) Appl. No.: **29/399,606**

(22) Filed: **Aug. 16, 2011**

(51) **LOC (9) Cl.** **26-99**

(52) **U.S. Cl.** **D26/138**

(58) **Field of Classification Search** D26/71,
D26/72, 74, 76, 75, 78, 113, 118, 119, 120,
D26/121, 122, 123, 124, 125, 126, 127, 128,
D26/130, 131, 2, 116, 88, 84, 82, 83, 85,
D26/86, 87, 89, 90, 91, 92, 141, 142, 144,
D26/145, 152, 153, 155, 138, 139, 140, 58,
D26/24, 22, 23, 25, 26, 27, 28, 29, 30, 62,
D26/63, 64, 65, 66, 67, 68, 69, 70, 60, 61,
D26/51, 52, 53, 54, 55, 56, 57; 362/373,
362/345, 362, 326, 363, 364, 365, 372, 253,
362/294, 374, 375, 371, 490, 491, 308, 309,
362/310, 311.06, 249.02, 235, 236, 473,
362/418, 419, 420, 321, 322, 323, 324, 325,
362/276; 250/342; D23/418, 366; 239/44,
239/43, 4, 45; D13/134, 179, 180

See application file for complete search history.

(56) **References Cited**

U.S. PATENT DOCUMENTS

D204,792 S * 5/1966 Collings D26/60
4,842,308 A * 6/1989 Spotts 285/261
5,335,159 A * 8/1994 Chen et al. 362/421
D379,246 S * 5/1997 Haslam et al. D26/63

D383,235 S * 9/1997 Murch, Sr. D26/60
D392,406 S * 3/1998 Morrow et al. D26/65
D408,091 S * 4/1999 Joyner et al. D26/60
D434,165 S * 11/2000 Hiller et al. D26/65
D435,923 S * 1/2001 Hiller et al. D26/63
D441,113 S * 4/2001 Small et al. D26/63
6,328,270 B1 * 12/2001 Elberbaum 248/288.31
D454,219 S * 3/2002 Thompson D26/63
D492,435 S * 6/2004 Graves et al. D26/51
D498,321 S * 11/2004 Terry D26/60
D539,459 S * 3/2007 Benghozi D26/63
D542,962 S * 5/2007 Mellon D26/114
D557,439 S * 12/2007 Hsu D26/83
D573,298 S * 7/2008 Kinnune et al. D26/142
D611,634 S * 3/2010 Newhouse D26/61
D621,537 S * 8/2010 Borovicka et al. D26/43

* cited by examiner

Primary Examiner — Kevin Rudzinski

(74) *Attorney, Agent, or Firm* — Daniel Law Offices, P.A.;
Jason T. Daniel, Esq.

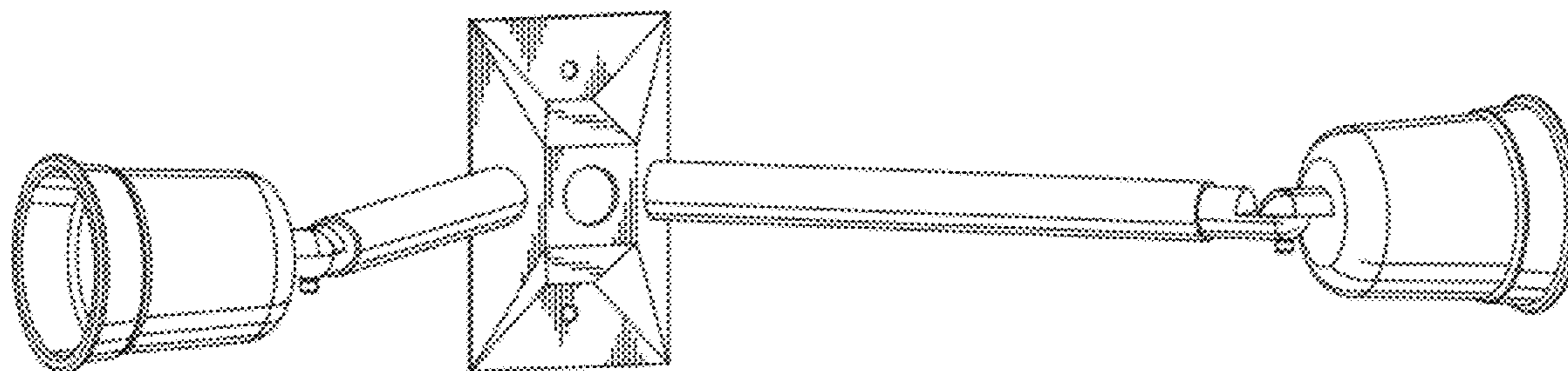
(57) **CLAIM**

The ornamental design for an outdoor floodlight extender, as shown.

DESCRIPTION

FIG. 1 is a perspective view thereof,
FIG. 2 is a top plan view thereof,
FIG. 3 is a bottom plan view thereof,
FIG. 4 is a left side elevational view thereof,
FIG. 5 is a right side elevational view thereof,
FIG. 6 is a front side elevational view thereof; and,
FIG. 7 is a back side elevational view thereof.

1 Claim, 4 Drawing Sheets



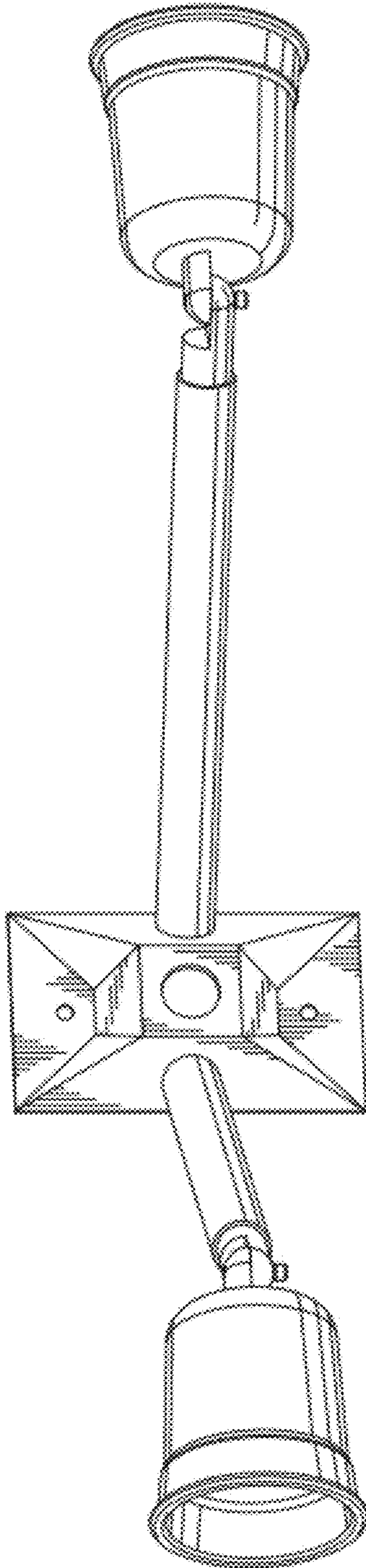


FIG. 1

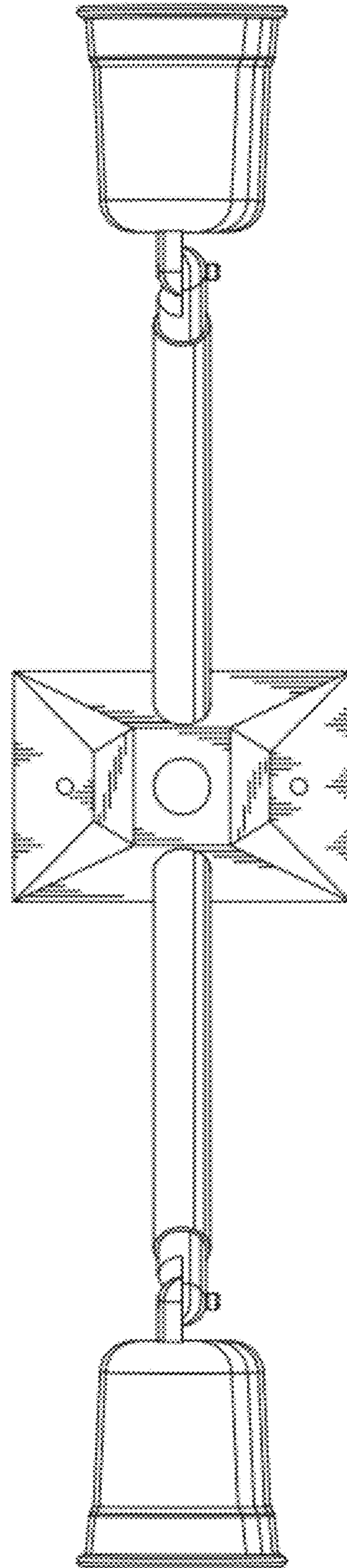


FIG. 2

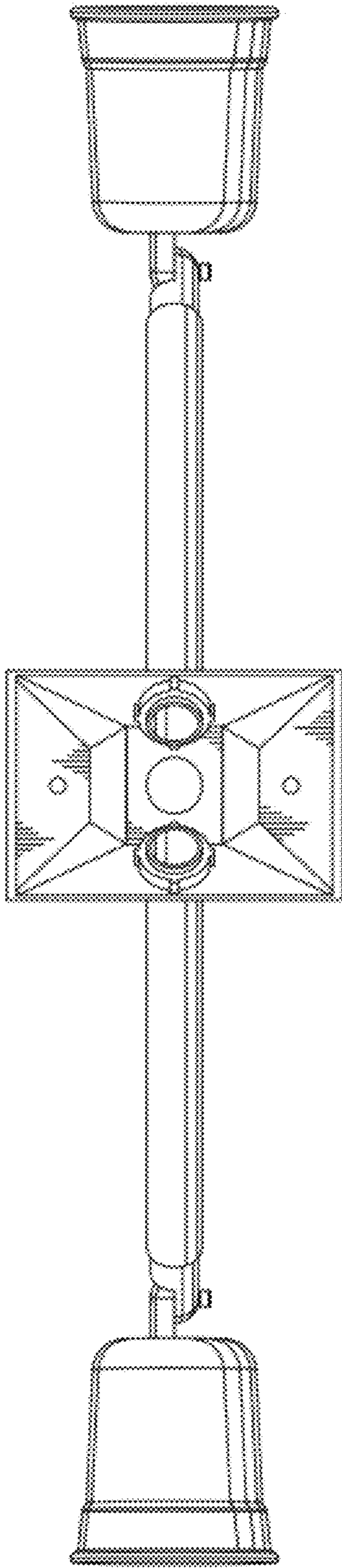


FIG. 3

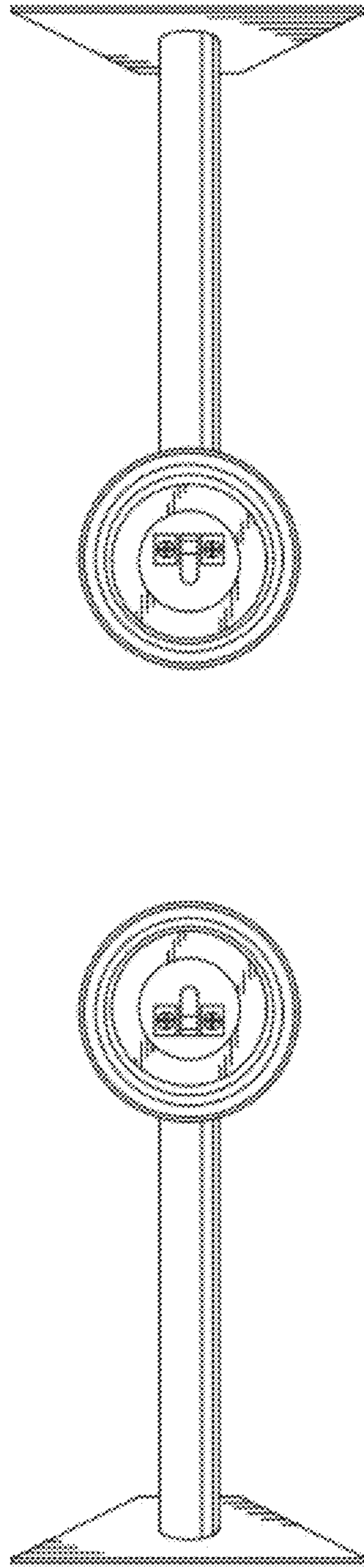


FIG. 4

FIG. 5

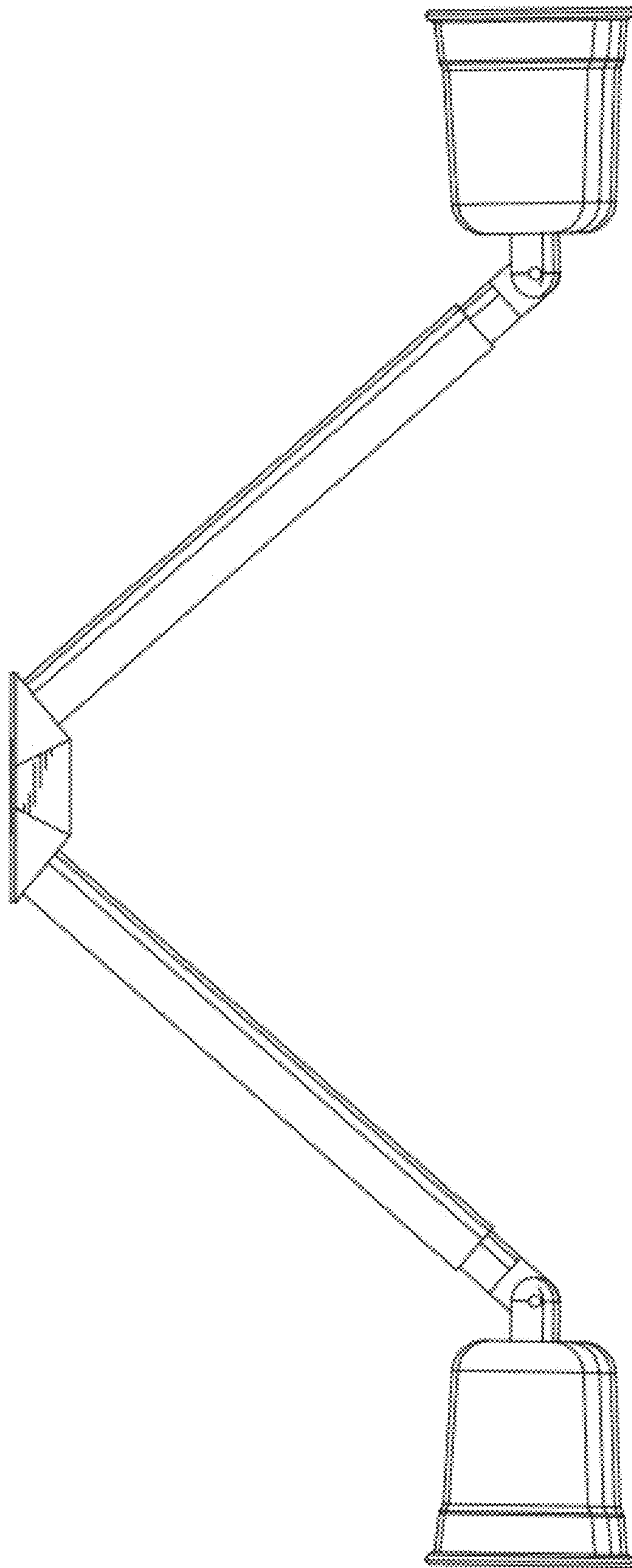


FIG. 6

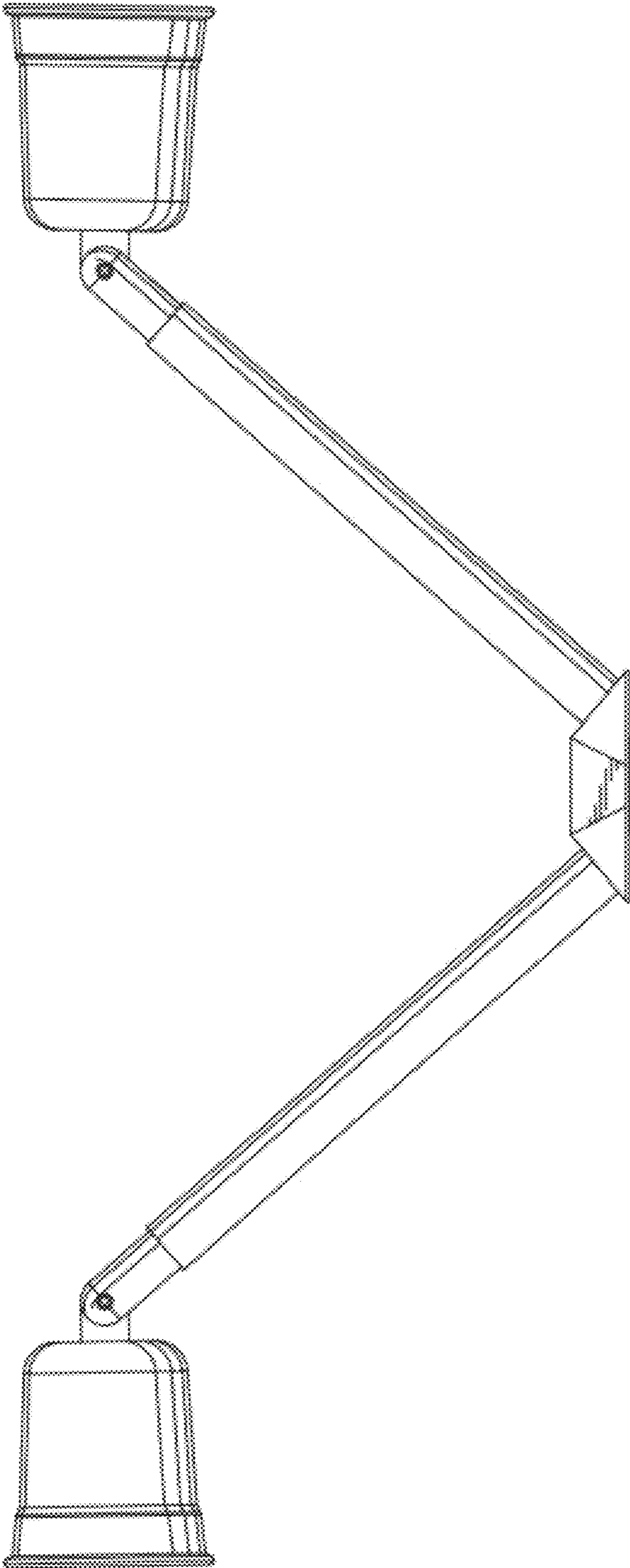


FIG. 7