



US00D657488S

(12) **United States Design Patent**
Lown et al.

(10) **Patent No.:** **US D657,488 S**
(45) **Date of Patent:** **** Apr. 10, 2012**

(54) **LIGHTING FIXTURE**

(75) Inventors: **Charles Edward Lown**, Maybrook, NY (US); **Edward Neil Conathan**, Saugerties, NY (US); **Daniel Frederick Nesbitt**, Cincinnati, OH (US)

(73) Assignee: **LSI Industries, Inc.**, Cincinnati, OH (US)

(**) Term: **14 Years**

(21) Appl. No.: **29/399,164**

(22) Filed: **Aug. 10, 2011**

Related U.S. Application Data

(62) Division of application No. 29/382,549, filed on Jan. 5, 2011, now Pat. No. Des. 643,572, which is a division of application No. 29/353,571, filed on Jan. 11, 2010, now Pat. No. Des. 632,832, which is a division of application No. 29/304,480, filed on Mar. 3, 2008, now Pat. No. Des. 609,854.

(51) **LOC (9) Cl.** **26-99**

(52) **U.S. Cl.** **D26/120**

(58) **Field of Classification Search** 248/343; D13/179, 180, 134, 146; 361/697; 362/218, 362/223, 260, 346, 364, 362, 382, 147, 547, 362/150, 219, 220, 224, 247, 354, 555, 343, 362/511; D24/210; D23/328; D26/118, D26/120, 113, 119, 121, 122, 123, 124, 125, D26/126, 128, 129, 130, 131, 132, 135, 138, D26/140, 141, 142, 152, 24, 25, 59, 60, 61, D26/72, 74, 75, 76, 77, 78, 88, 85, 87, 89, D26/90, 91, 153, 154, 155, 143, 144, 145, D26/71, 67, 65, 64, 1, 2, 3

See application file for complete search history.

(56) **References Cited**

U.S. PATENT DOCUMENTS

D106,873	S	*	11/1937	Stewart	D26/24
D156,743	S	*	1/1950	Kennedy	D26/59
2,710,336	A	*	6/1955	Jorn	362/368
2,973,177	A	*	2/1961	Stubbs	248/343
D257,894	S	*	1/1981	DiBernardo	D26/75
4,277,820	A	*	7/1981	Bostonian	362/223
4,517,631	A	*	5/1985	Mullins	362/346
D284,110	S	*	6/1986	Mullins	D26/76
D292,322	S	*	10/1987	Krol	D26/75
D300,873	S	*	4/1989	Thompson et al.	D26/74
D301,278	S	*	5/1989	Hughes et al.	D26/78
D351,481	S	*	10/1994	Cole, Jr.	D26/76
D374,301	S	*	10/1996	Kleffman	D26/76

(Continued)

Primary Examiner — Kevin Rudzinski

(74) *Attorney, Agent, or Firm* — Hasse & Nesbitt LLC; Daniel F. Nesbitt

(57) **CLAIM**

We claim the ornamental design for a lighting fixture, as shown and described.

DESCRIPTION

FIG. 1 shows a bottom perspective view of a lighting fixture of the present invention.

FIG. 2 shows a bottom view of the lighting fixture of FIG. 1.

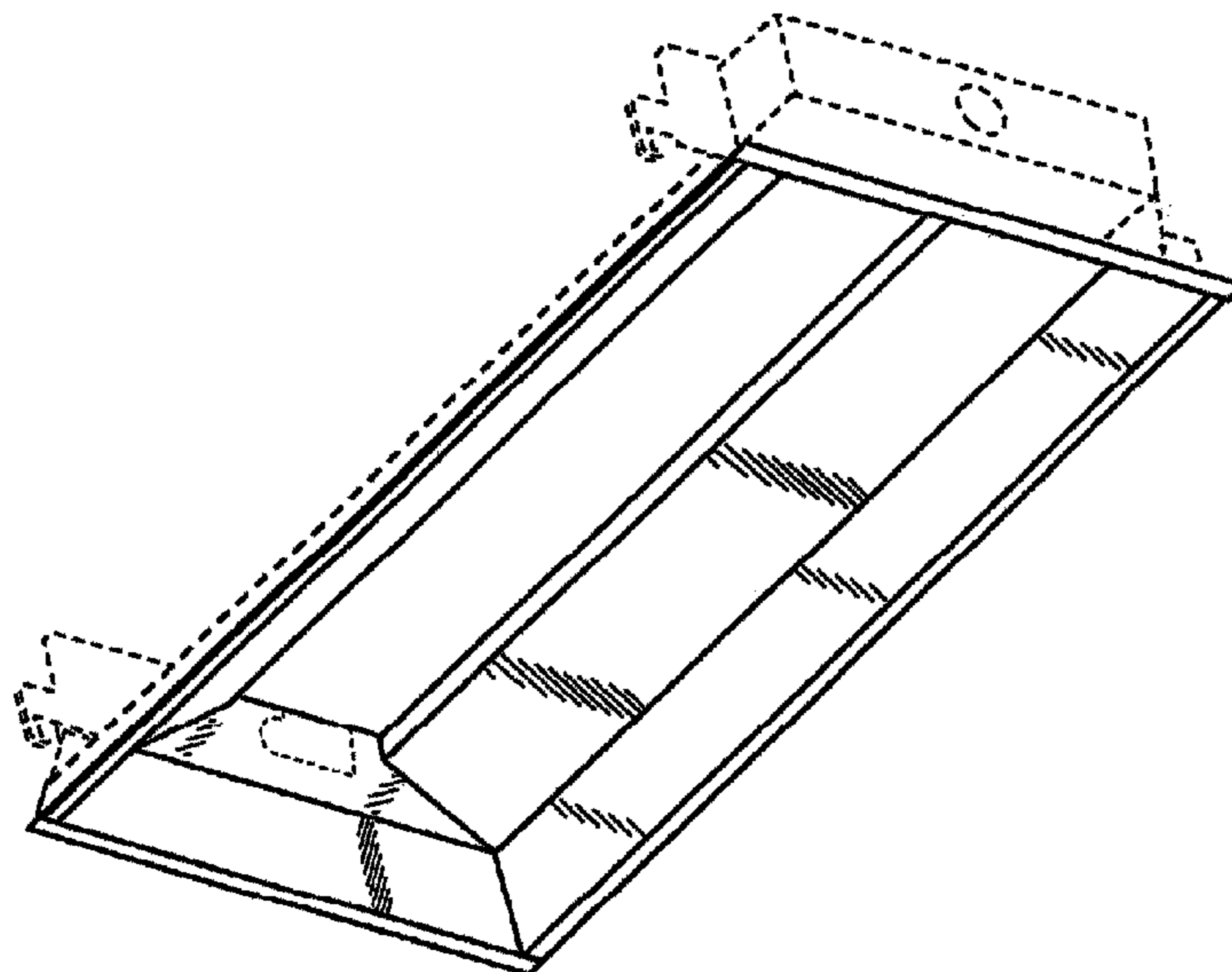
FIG. 3 shows a top view of the lighting fixture of FIG. 1.

FIG. 4 shows a front elevation view of the lighting fixture of FIG. 1, where the rear elevation view is identical thereto; and,

FIG. 5 shows a right side elevation view of the lighting fixture of FIG. 1, where the left side elevation view is identical thereto.

The broken lines in the drawings illustrate unclaimed portions of the lighting fixture and form no part of the claimed design.

1 Claim, 2 Drawing Sheets



US D657,488 S

Page 2

U.S. PATENT DOCUMENTS

D378,860	S *	4/1997	Galletly	D26/77
D407,473	S *	3/1999	Wimbock	D23/328
5,902,035	A *	5/1999	Mui	362/267
5,988,836	A *	11/1999	Swarens	362/364
6,092,913	A *	7/2000	Edwards, Jr.	362/260
6,301,770	B1 *	10/2001	McIlwraith	29/527.2
D496,121	S *	9/2004	Santoro	D26/74
D545,483	S *	6/2007	Mayfield et al.	D26/118
D545,991	S *	7/2007	Mayfield et al.	D26/118
D545,992	S *	7/2007	Mayfield et al.	D26/118
D545,993	S *	7/2007	Mayfield et al.	D26/118
7,261,435	B2 *	8/2007	Gould et al.	362/223
D553,781	S *	10/2007	Pickard et al.	D26/74
7,296,910	B2 *	11/2007	Mayfield et al.	362/217.05
D561,930	S *	2/2008	Hukle et al.	D26/120
D580,583	S *	11/2008	Pfund	D26/76
D595,006	S *	6/2009	Santoro	D26/74
D597,241	S *	7/2009	Fabbri et al.	D26/74
D608,932	S *	1/2010	Castelli	D26/76
D617,487	S *	6/2010	Fowler et al.	D26/76
7,828,468	B2 *	11/2010	Mayfield et al.	362/342
D640,825	S *	6/2011	Schmidt et al.	D26/121
D645,192	S *	9/2011	Chung et al.	D26/75
2007/0211457	A1 *	9/2007	Mayfield et al.	362/223
2007/0291481	A1 *	12/2007	Gould et al.	362/223
2007/0297181	A1 *	12/2007	Mayfield et al.	362/342
2008/0019126	A1 *	1/2008	Straton et al.	362/218
2009/0244912	A1 *	10/2009	Lydecker et al.	362/382

* cited by examiner

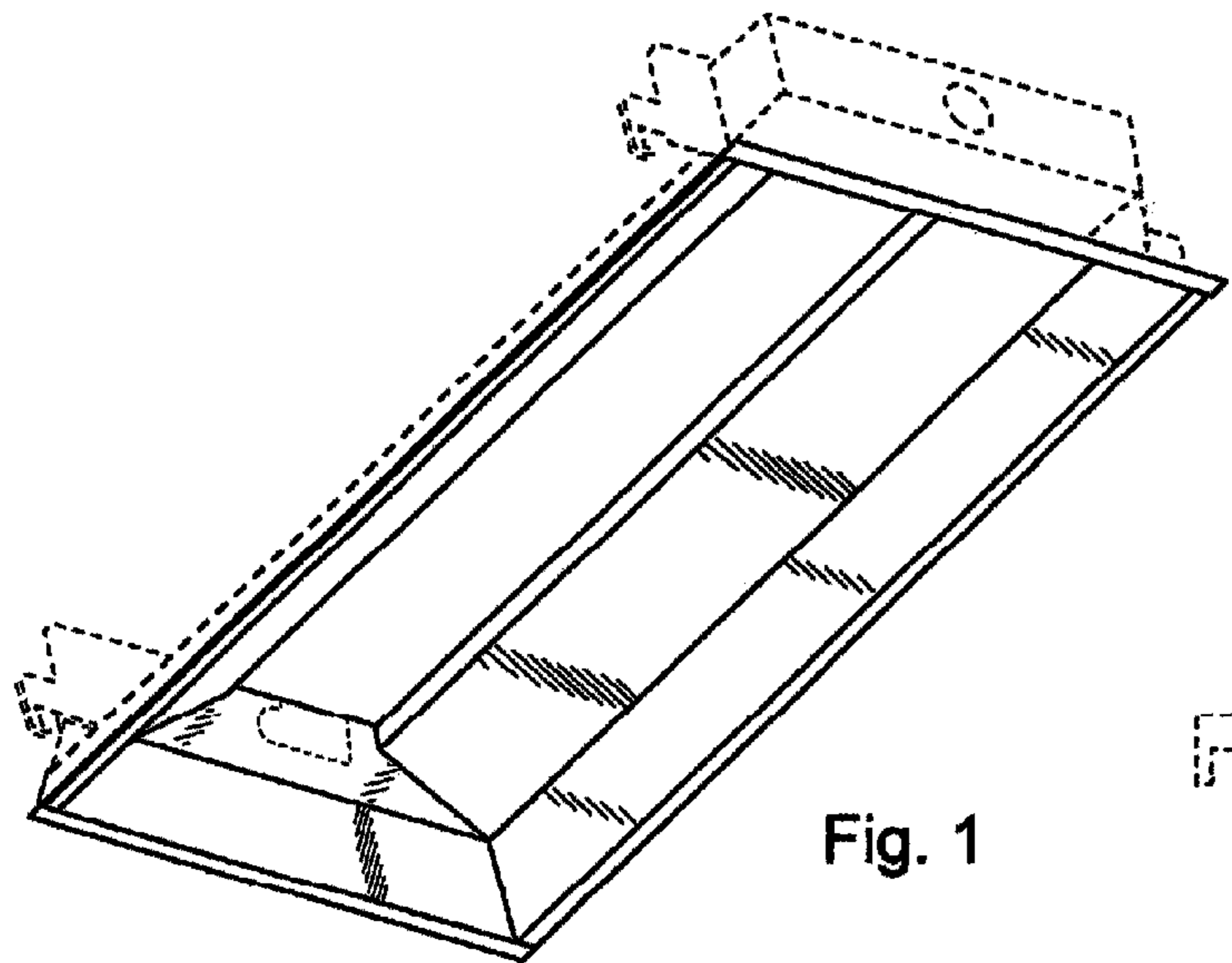


Fig. 1

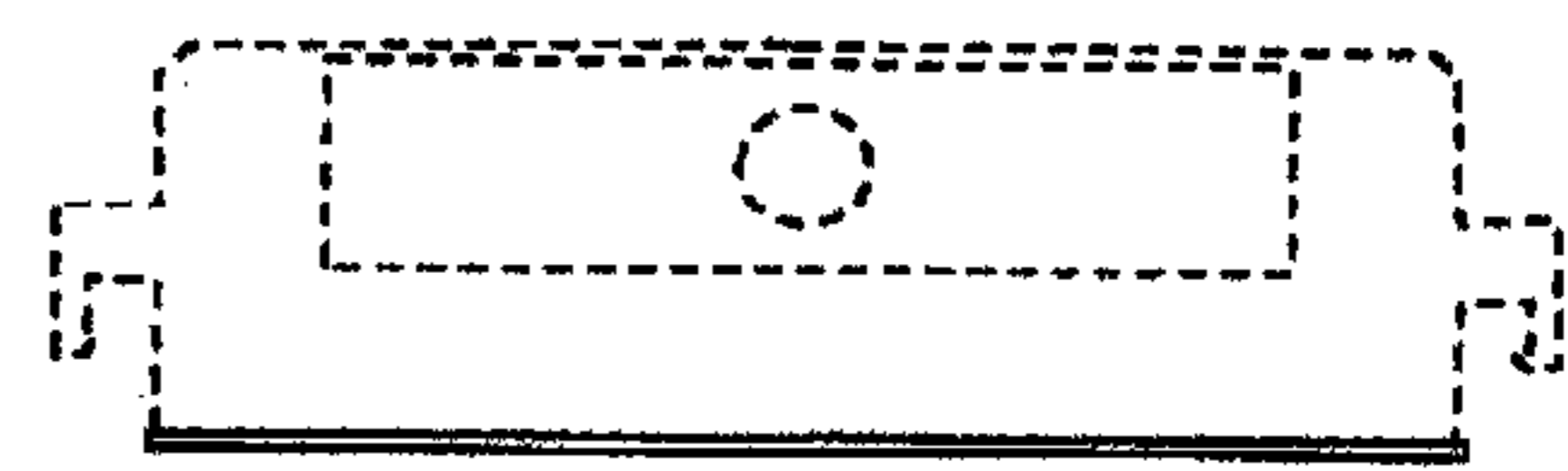


Fig. 4

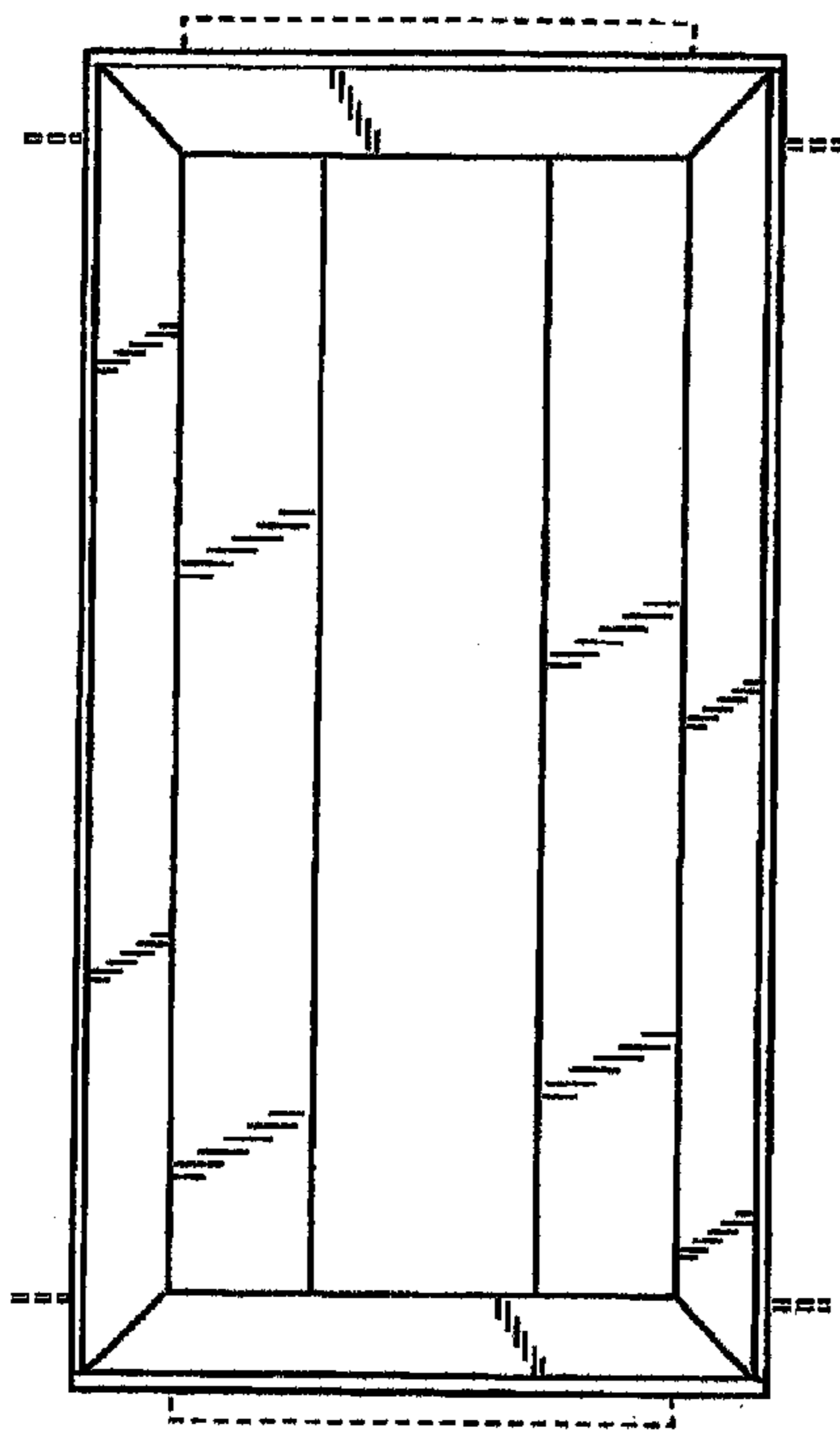


Fig. 2

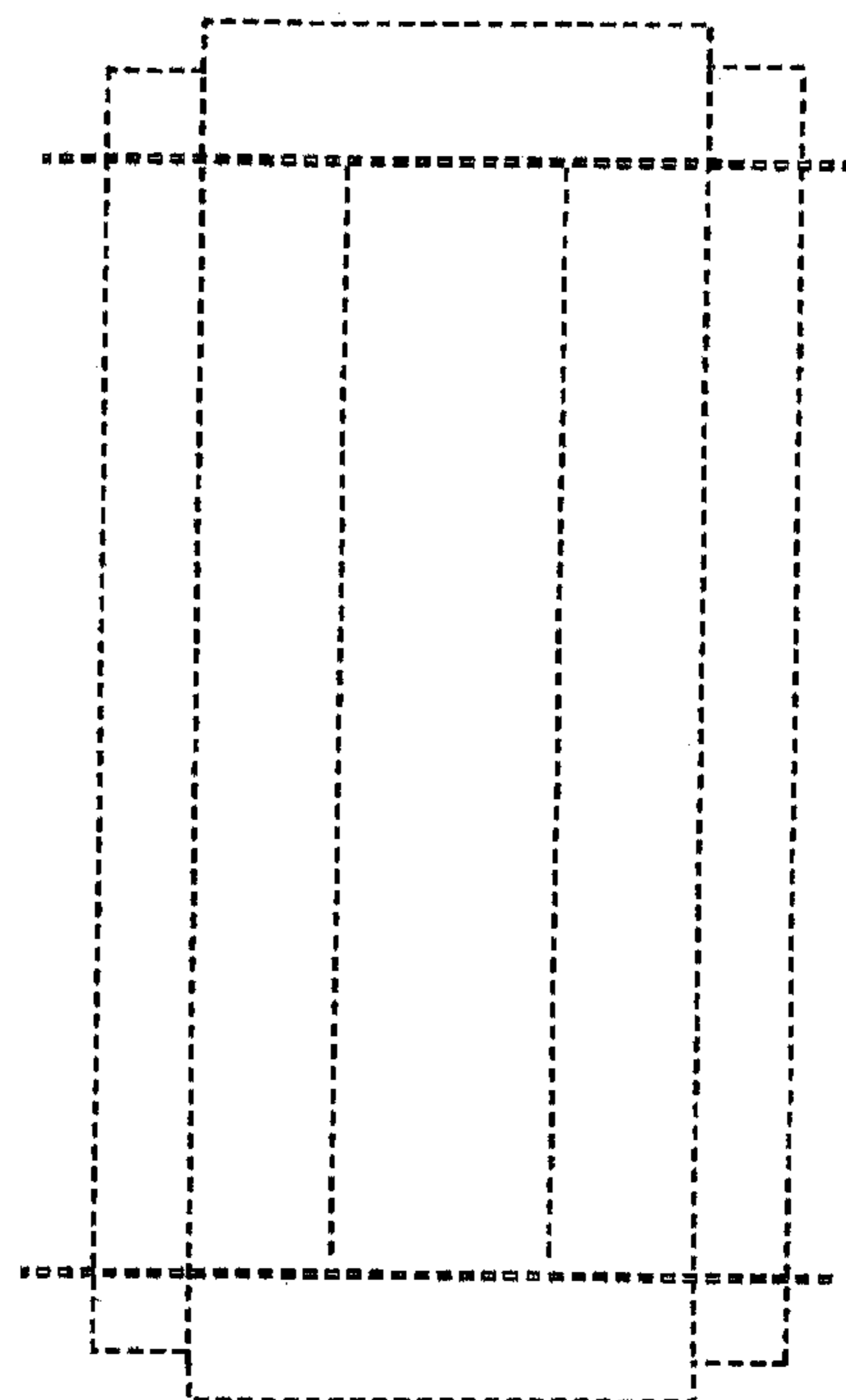


Fig. 3

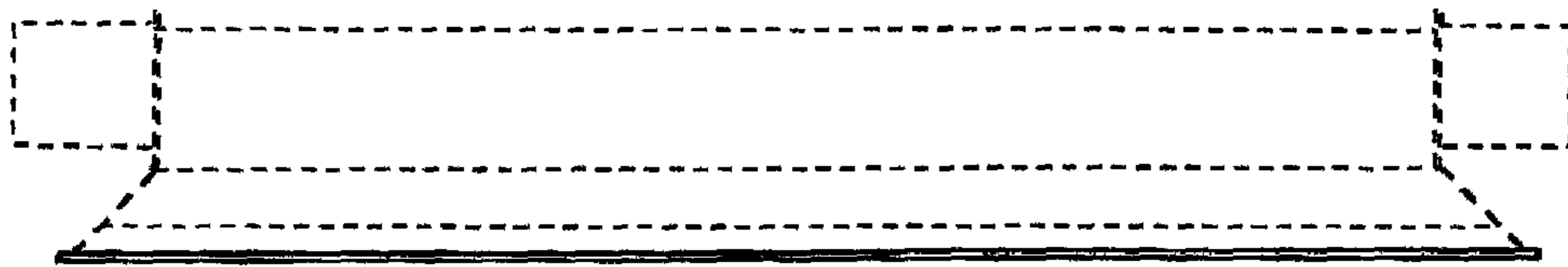


Fig. 5