



US00D657487S

(12) **United States Design Patent**
Sabernig

(10) **Patent No.:** **US D657,487 S**

(45) **Date of Patent:** **** Apr. 10, 2012**

(54) **LIGHT FIXTURE**

(75) Inventor: **Robert Sabernig**, Munster (AT)

(73) Assignee: **EGLO Leuchten GmbH**, Innsbruck (AT)

(**) Term: **14 Years**

(21) Appl. No.: **29/392,098**

(22) Filed: **May 17, 2011**

(51) **LOC (9) Cl.** **26-03**

(52) **U.S. Cl.** **D26/84; D26/90**

(58) **Field of Classification Search** D26/76,
D26/80-86, 89-91; 362/147, 404-408, 432
See application file for complete search history.

(56) **References Cited**

U.S. PATENT DOCUMENTS

2,790,894	A *	4/1957	Zingone	362/429
D220,580	S *	4/1971	Edenberg	D26/80
3,745,327	A *	7/1973	Lowery et al.	362/227
D270,377	S *	8/1983	Maguire	D26/75
D314,059	S *	1/1991	O'Neil	D26/73
D320,465	S *	10/1991	Sonneman	D26/86
D359,374	S *	6/1995	Weinstock	D26/80
D397,486	S *	8/1998	Engle et al.	D26/87
D468,474	S *	1/2003	Poulton	D26/90
D493,560	S *	7/2004	Parres	D26/84
D578,246	S *	10/2008	Levine	D26/113
D578,703	S *	10/2008	Levine	D26/113
D582,601	S *	12/2008	Levine	D26/113
D595,887	S *	7/2009	Blom	D26/76
D601,742	S *	10/2009	Sabernig	D26/84
D620,174	S *	7/2010	Sabernig	D26/83
D620,178	S *	7/2010	Sabernig	D26/84

D620,179	S *	7/2010	Sabernig	D26/84
D626,273	S *	10/2010	Verelst	D26/85
D629,554	S *	12/2010	Gielen	D26/76
D630,365	S *	1/2011	Sabernig	D26/84
D644,371	S *	8/2011	Orozco	D26/86

* cited by examiner

Primary Examiner — Clare E Heflin

(74) *Attorney, Agent, or Firm* — Baker & McKenzie LLP

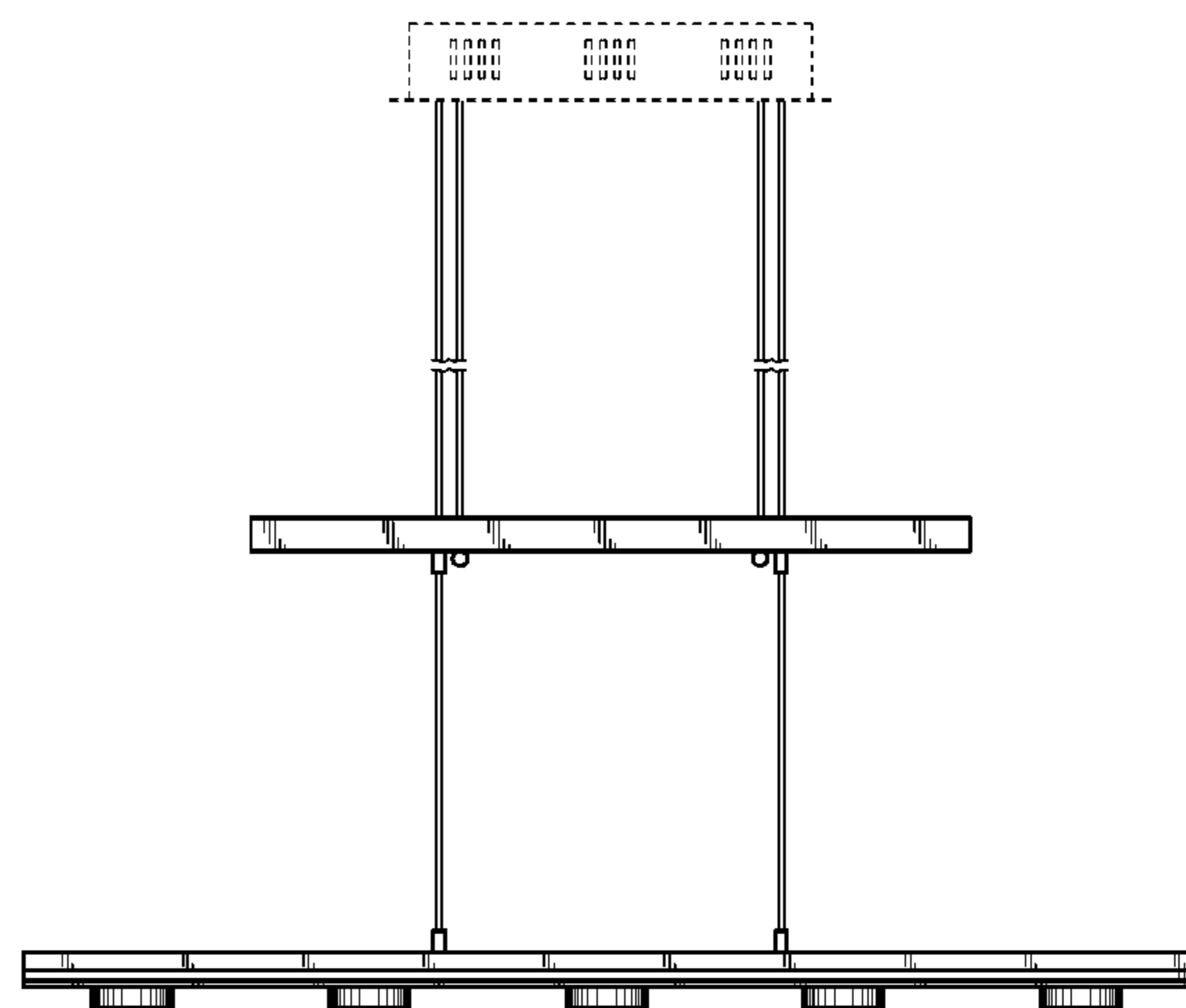
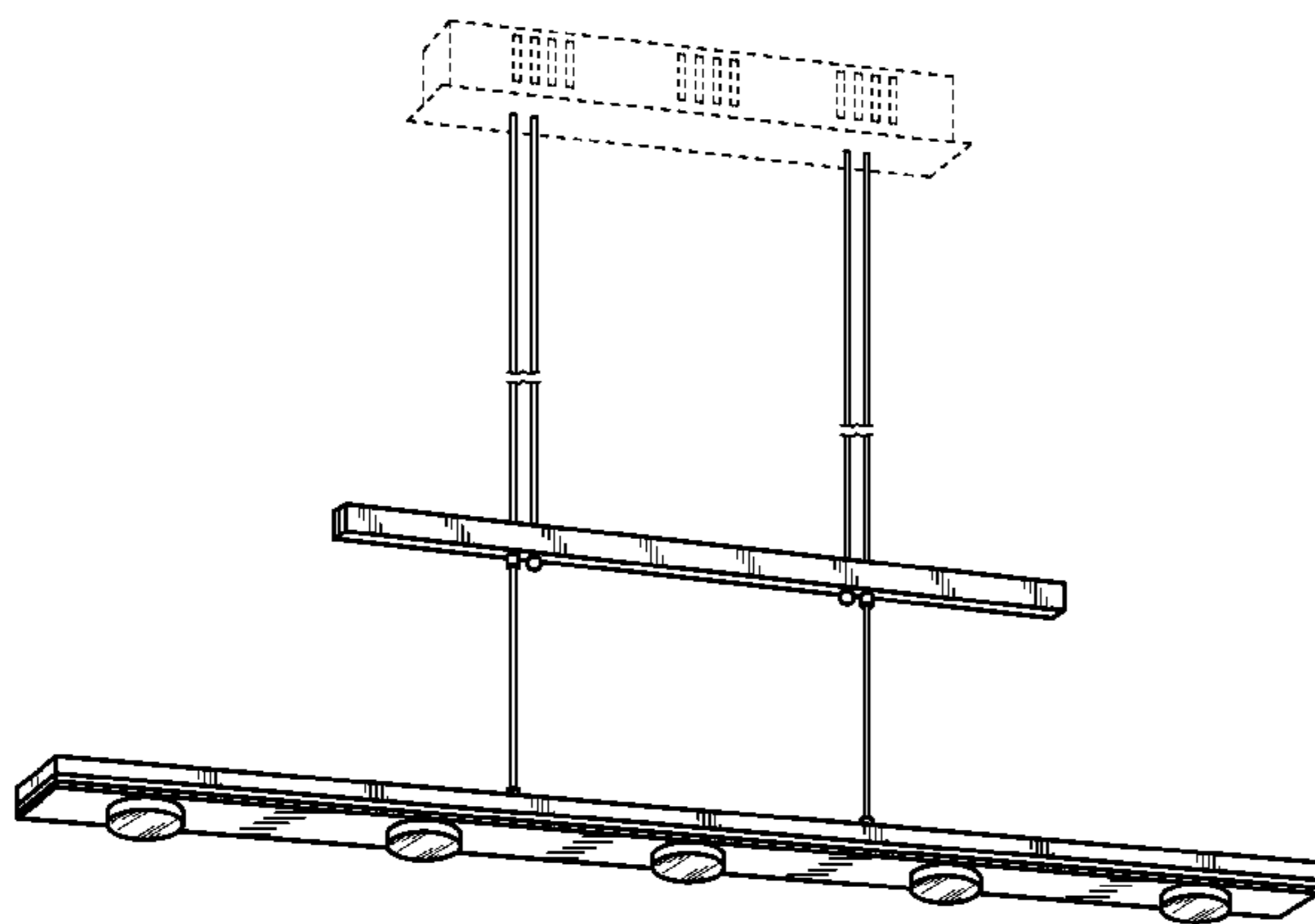
(57) **CLAIM**

The ornamental design for a light fixture, as shown and described.

DESCRIPTION

FIG. 1 is a perspective view of a light fixture in accordance with my design;
 FIG. 2 is a top plan view of the light fixture in accordance with my design;
 FIG. 3 is a bottom plan view of the light fixture in accordance with my design;
 FIG. 4 is a front elevation view of the light fixture in accordance with my design, the opposite view being a mirror image of that shown; and,
 FIG. 5 is a side elevation view of the light fixture in accordance with my design, the opposite view being a mirror image of that shown.
 The portions of the light fixture shown broken away in FIGS. 1, 4 and 5 are to depict nonspecific length.
 The broken-line disclosure of elements is understood to represent portions of the article in which the design is embodied, but which form no part of the claimed design.

1 Claim, 2 Drawing Sheets



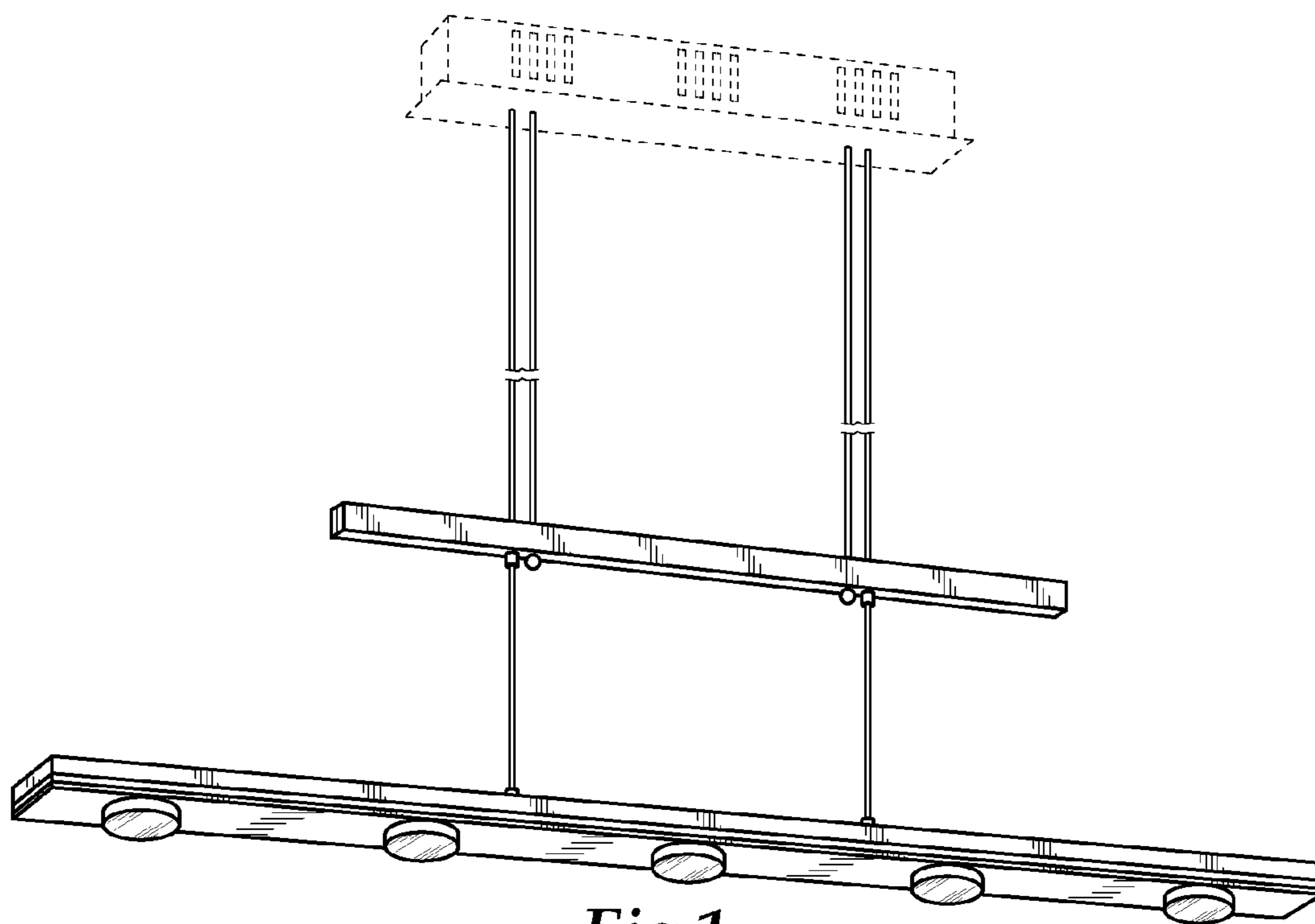


Fig.1

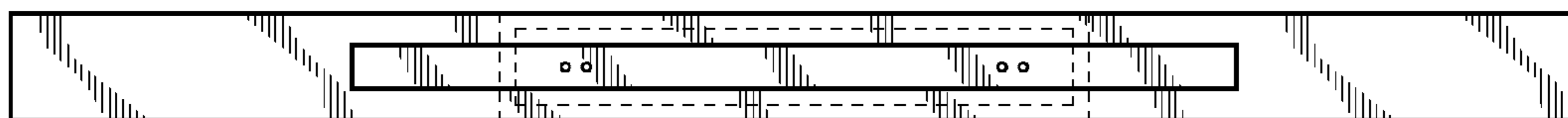


Fig.2



Fig.3

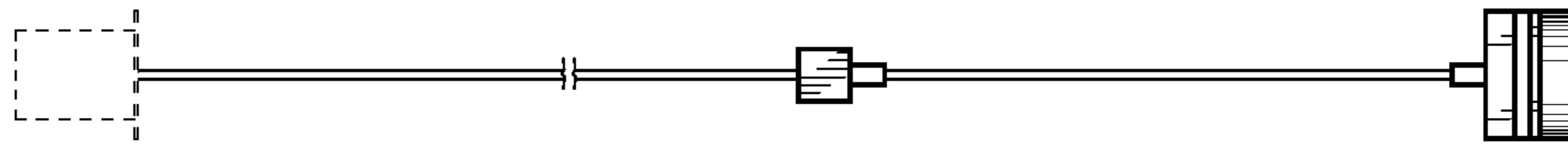


Fig. 5

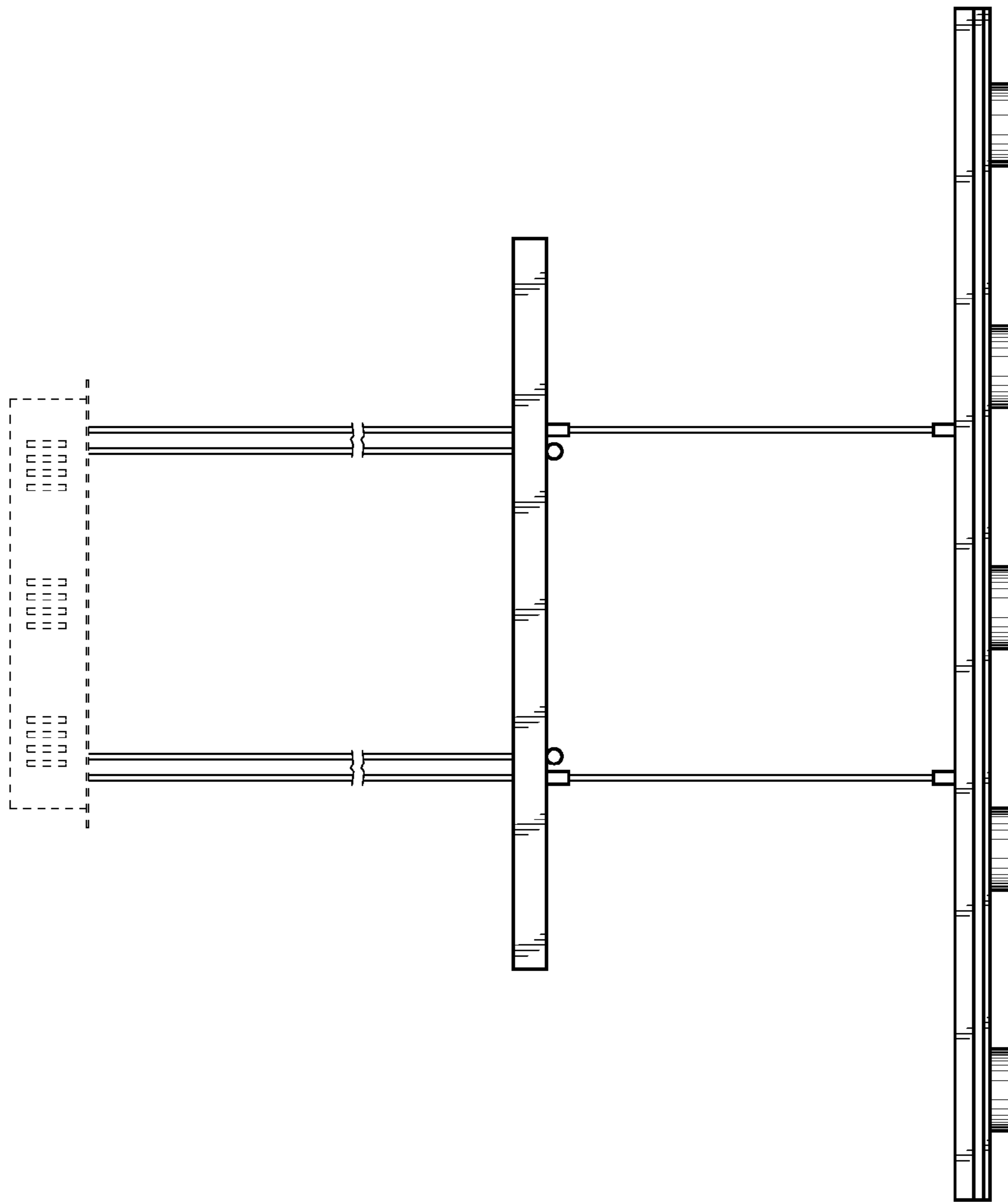


Fig. 4