



US00D657486S

(12) **United States Design Patent**
Sabernig

(10) **Patent No.:** **US D657,486 S**
(45) **Date of Patent:** **** Apr. 10, 2012**

(54) **LIGHT FIXTURE**

(75) Inventor: **Robert Sabernig**, Munster (AT)

(73) Assignee: **EGLO Leuchten GmbH**, Innsbruck (AT)

(**) Term: **14 Years**

(21) Appl. No.: **29/392,080**

(22) Filed: **May 17, 2011**

(51) **LOC (9) Cl.** **26-03**

(52) **U.S. Cl.** **D26/84; D26/90**

(58) **Field of Classification Search** D26/76,
D26/80-86, 89-91; 362/147, 404-408, 432
See application file for complete search history.

(56) **References Cited**

U.S. PATENT DOCUMENTS

D118,729 S *	1/1940	Stewart	D26/83
D152,889 S *	3/1949	Kuhler	D26/85
D493,560 S *	7/2004	Parres	D26/84
D570,004 S *	5/2008	Hawkins et al.	D26/25
D578,246 S *	10/2008	Levine	D26/113
D578,703 S *	10/2008	Levine	D26/113
D601,742 S *	10/2009	Sabernig	D26/84
D620,174 S *	7/2010	Sabernig	D26/83
D630,365 S *	1/2011	Sabernig	D26/84
D643,963 S *	8/2011	Verelst	D26/84

* cited by examiner

Primary Examiner — Clare E Heflin

(74) *Attorney, Agent, or Firm* — Baker & McKenzie LLP

(57) **CLAIM**

The ornamental design for a light fixture, as shown and described.

DESCRIPTION

FIG. 1 is a perspective view of a light fixture in accordance with my design;

FIG. 2 is a top plan view of the light fixture in accordance with my design;

FIG. 3 is a bottom plan view of the light fixture in accordance with my design;

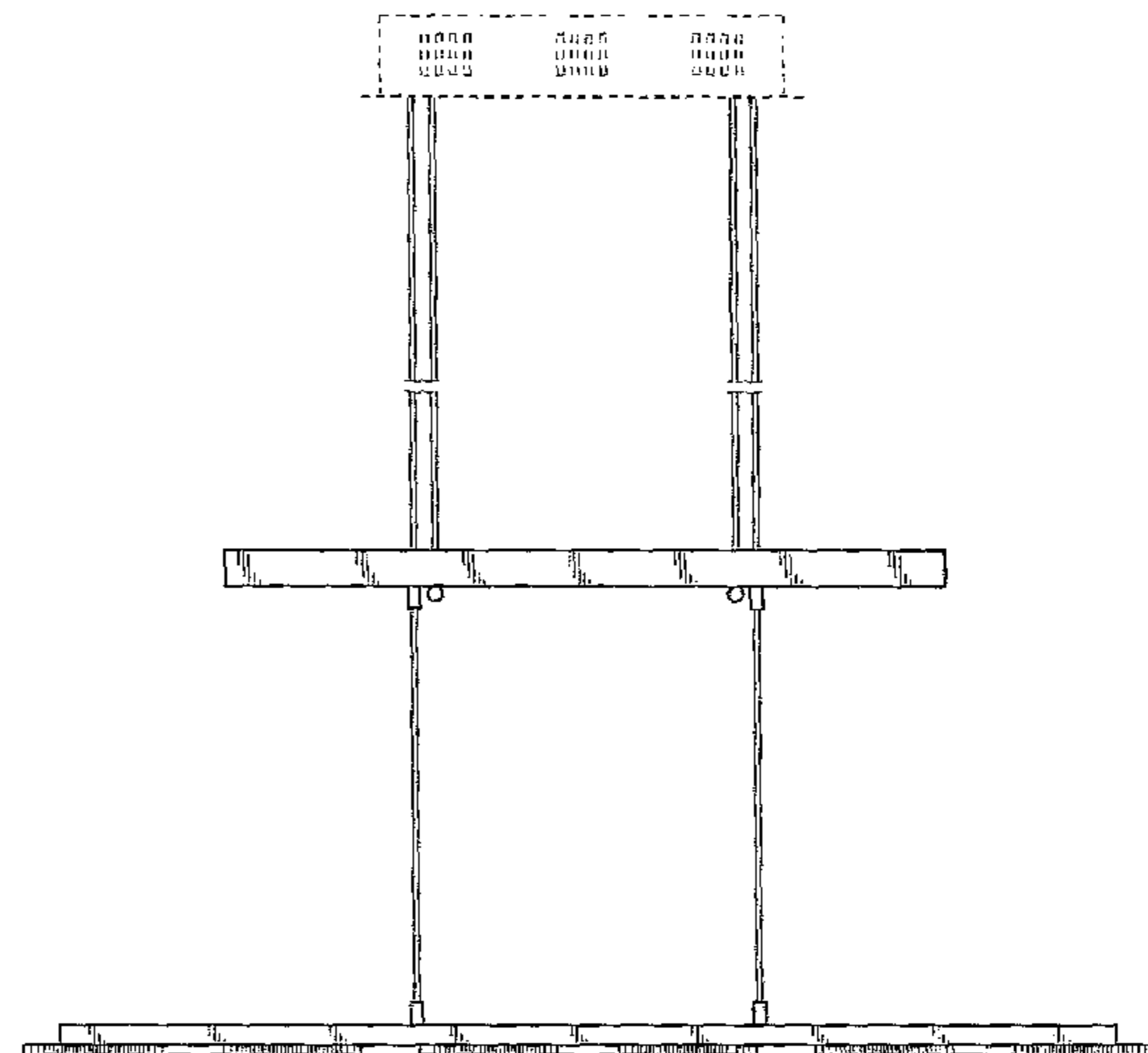
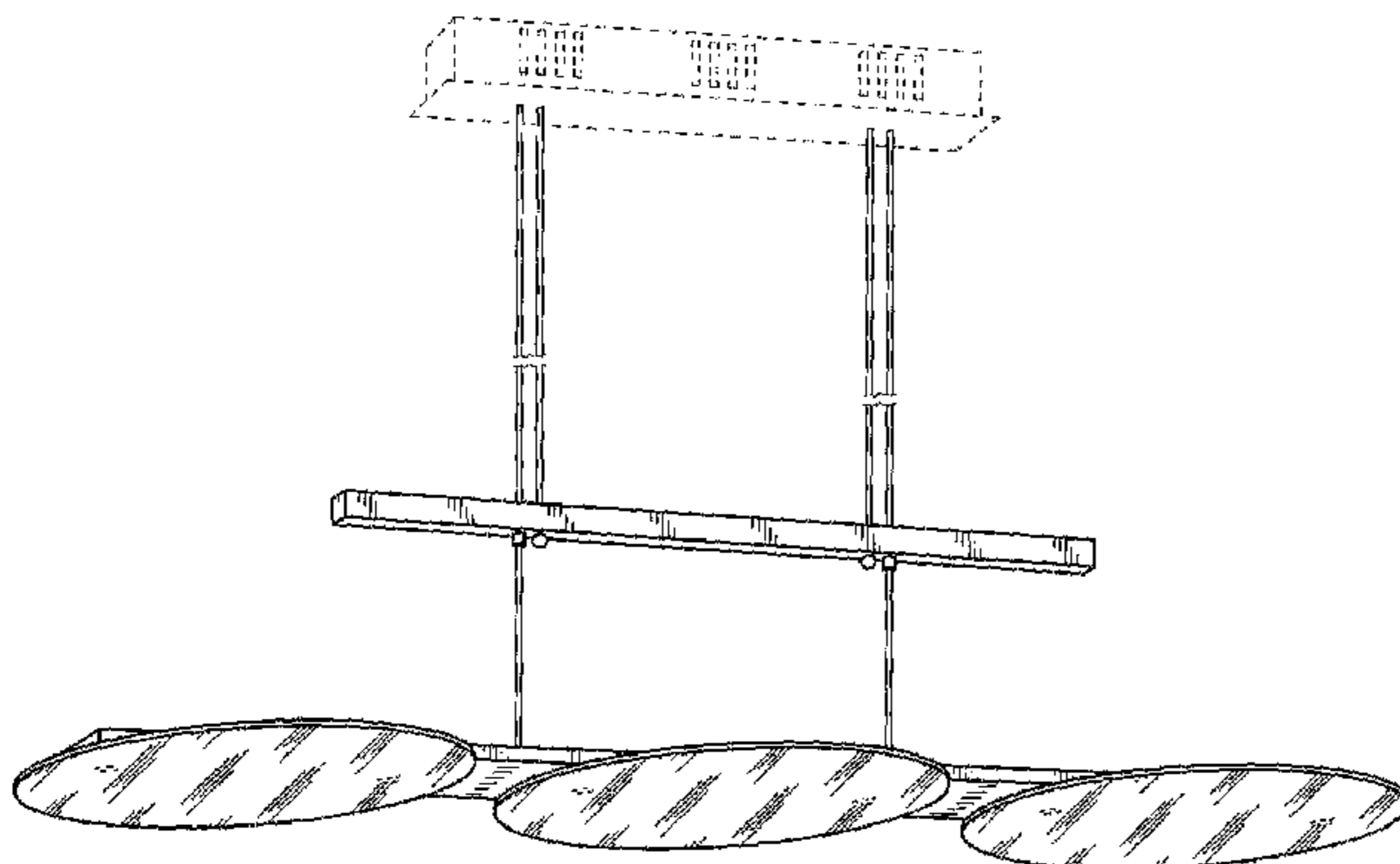
FIG. 4 is a front elevation view of the light fixture in accordance with my design, the opposite view being a mirror image of that shown; and,

FIG. 5 is a side elevation view of the light fixture in accordance with my design, the opposite view being a mirror image of that shown.

The portions of the light fixture shown broken away in FIGS. 1, 4 and 5 are to depict nonspecific length.

The broken-line disclosure of elements is understood to represent portions of the article in which the design is embodied, but which form no part of the claimed design.

1 Claim, 2 Drawing Sheets



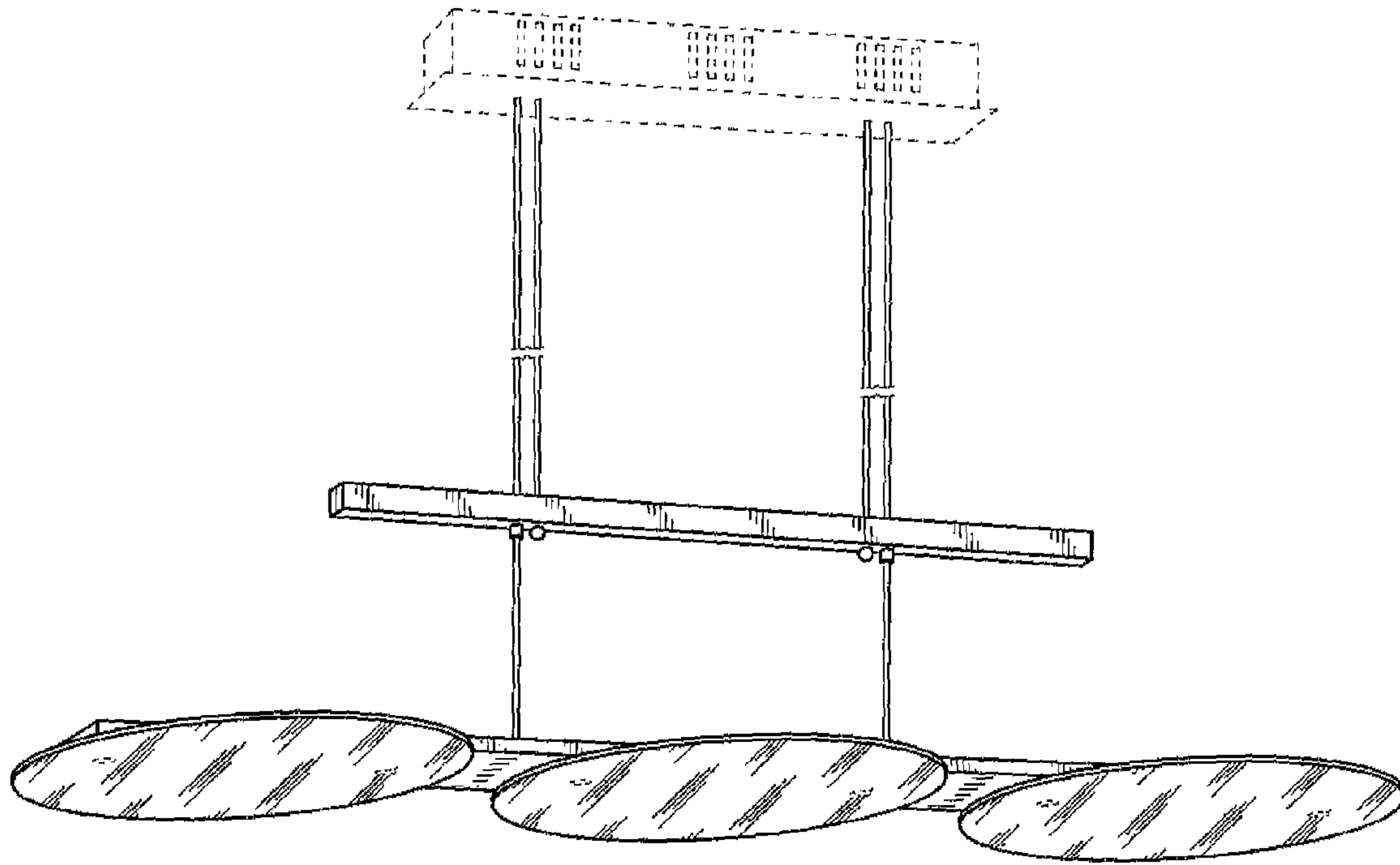


Fig.1

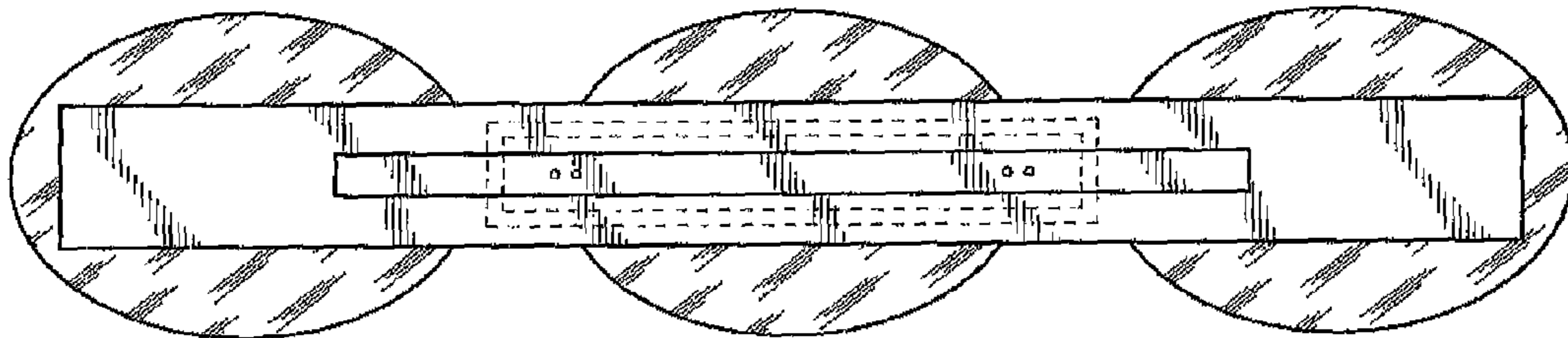


Fig.2

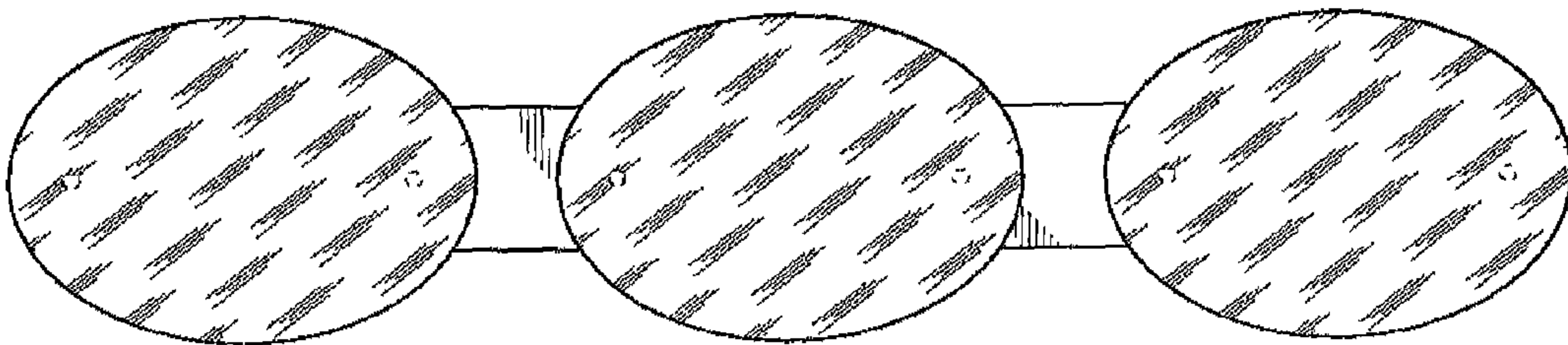


Fig.3

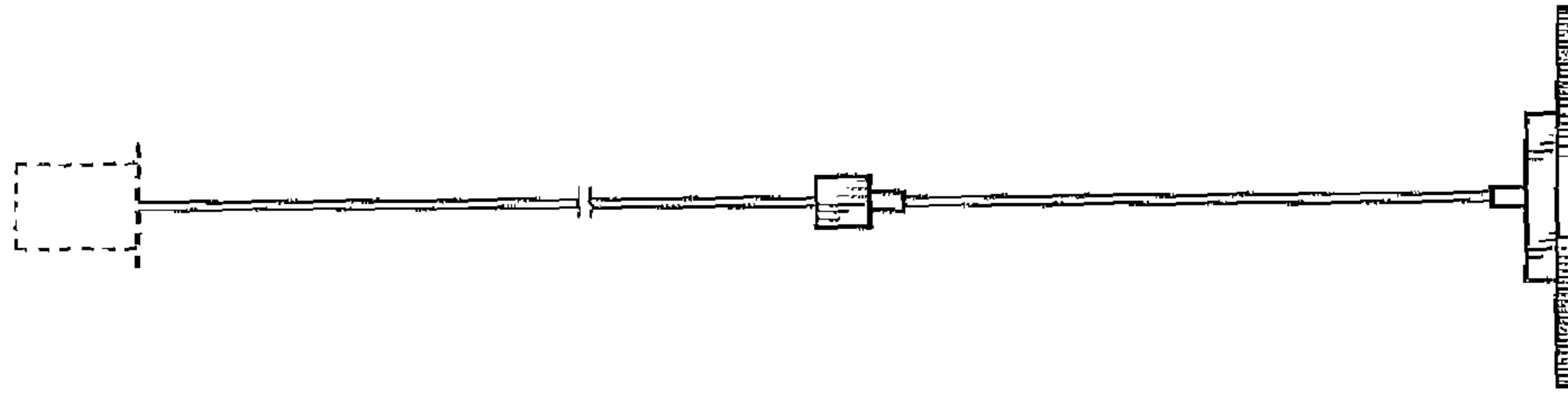


Fig. 5

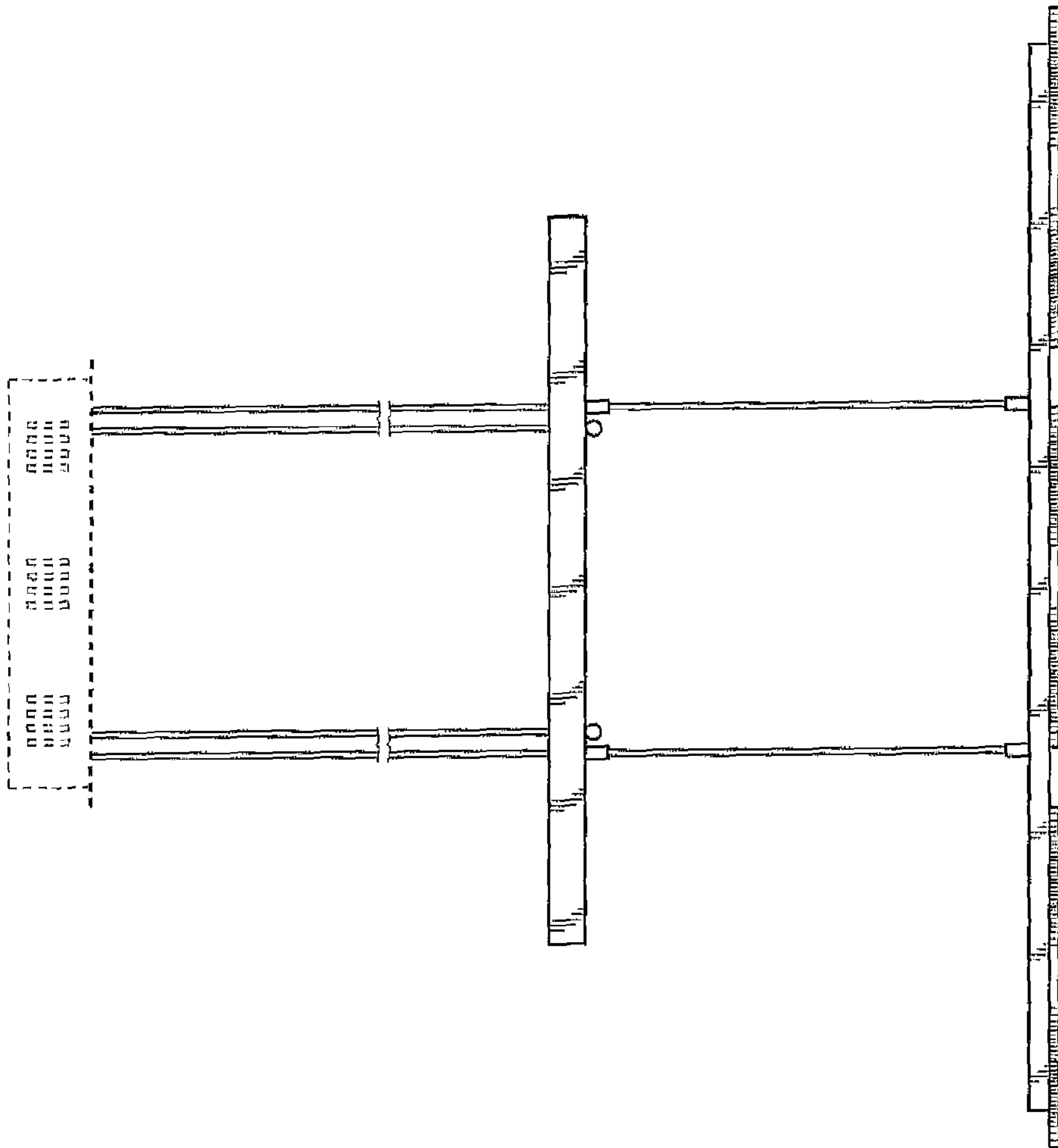


Fig. 4