



US00D657485S

(12) **United States Design Patent**
Kong et al.

(10) **Patent No.:** **US D657,485 S**
(45) **Date of Patent:** **** Apr. 10, 2012**

- (54) **HEAD OF A STREET LAMP**
- (75) Inventors: **Kyung-II Kong**, Seoul (KR); **Han Gyoul Kim**, Seoul (KR)
- (73) Assignee: **LG Innotek Co., Ltd.**, Seoul (KR)
- (**) Term: **14 Years**
- (21) Appl. No.: **29/402,139**
- (22) Filed: **Sep. 21, 2011**

- D482,482 S 11/2003 Schreder
- D496,120 S 9/2004 Cooper et al.
- 6,840,654 B2 1/2005 Guerrieri et al.
- D541,446 S 4/2007 Chiang
- D563,018 S 2/2008 Nankil
- D564,687 S 3/2008 Bucher et al.
- D566,323 S 4/2008 Piepgras et al.
- D573,288 S 7/2008 Xu et al.

(Continued)

Related U.S. Application Data

- (62) Division of application No. 29/376,796, filed on Oct. 12, 2010, now Pat. No. Des. 648,886.

Foreign Application Priority Data

- Apr. 10, 2010 (KR) 30-2010-0015925
- Apr. 10, 2010 (KR) 30-2010-0015926
- Apr. 10, 2010 (KR) 30-2010-0015927

- (51) **LOC (9) Cl.** **26-05**
- (52) **U.S. Cl.** **D26/71**
- (58) **Field of Classification Search** D26/67-71,
D26/85, 92, 118, 123, 124; 362/145, 183,
362/231, 240, 249.02, 249.03, 249.04, 249.06,
362/249.16, 373, 311.02, 697, 547, 431,
362/432

See application file for complete search history.

(56) **References Cited**

U.S. PATENT DOCUMENTS

- 1,213,154 A 1/1917 Cohen
- D51,598 S 12/1917 Long
- D52,384 S 9/1918 Churchill
- D201,700 S 7/1965 Stockwell
- D207,930 S 6/1967 Kotler
- D456,926 S 5/2002 Gaskins et al.
- D482,481 S 11/2003 Landefeld

OTHER PUBLICATIONS

U.S. Notice of Allowance issued in U.S. Appl. No. 29/376,796 dated Aug. 3, 2011.

(Continued)

Primary Examiner — Clare E Heflin

(74) *Attorney, Agent, or Firm* — KED & Associates LLP

(57) **CLAIM**

We claim the ornamental design for a “head of a street lamp,” as shown and described.

DESCRIPTION

FIG. 1 is a front perspective view of a head of a street lamp showing our design;

FIG. 2 is a front view of the head of a street lamp of FIG. 1;

FIG. 3 is a rear view of the head of a street lamp of FIG. 1;

FIG. 4 is a left side view of the head of a street lamp of FIG. 1;

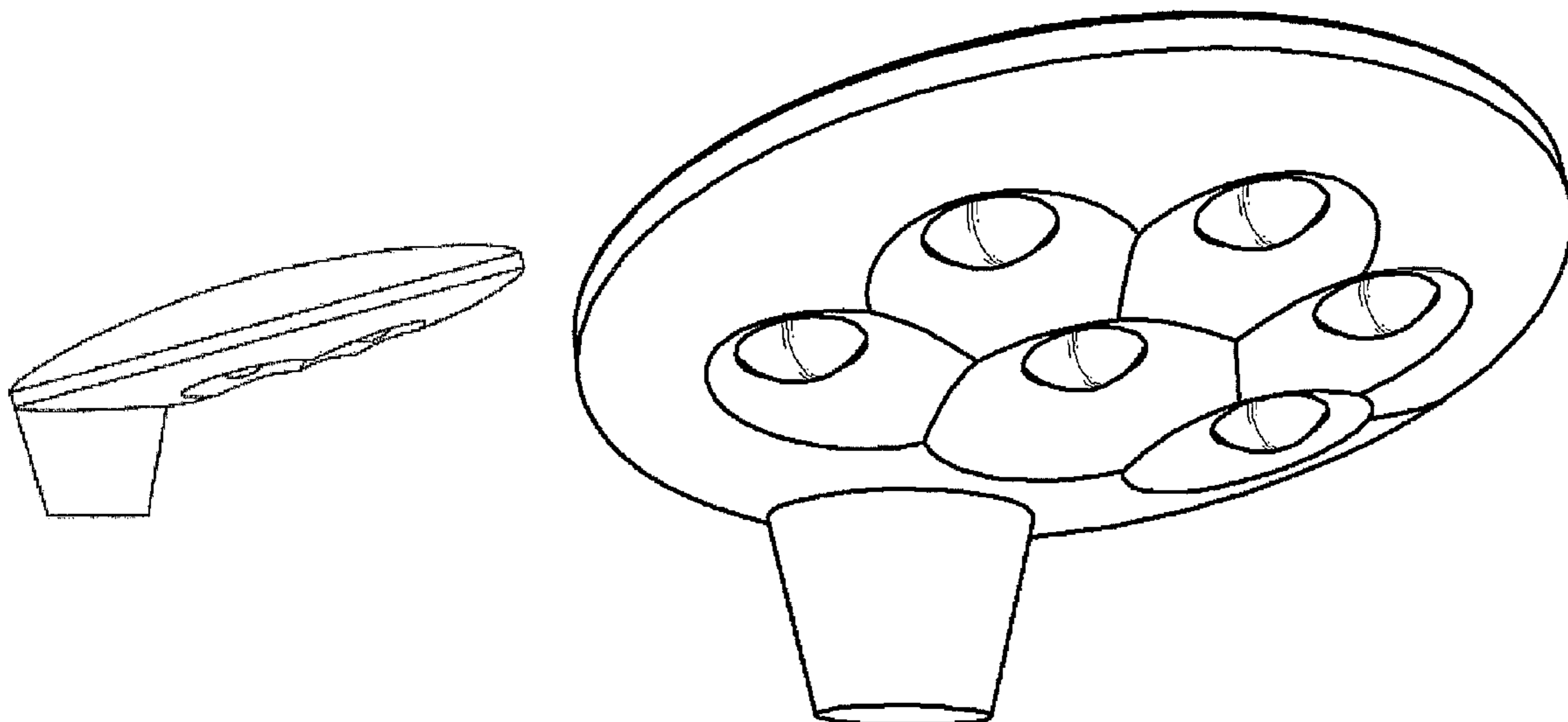
FIG. 5 is a right side view of the head of a street lamp of FIG. 1;

FIG. 6 is a top view of the head of a street lamp of FIG. 1;

FIG. 7 is a bottom view of the head of a street lamp of FIG. 1; and,

FIG. 8 is a bottom perspective view of the head for a street lamp of FIG. 1 showing the light emitting part with oblique line shading.

1 Claim, 4 Drawing Sheets



US D657,485 S

Page 2

U.S. PATENT DOCUMENTS

D573,743 S 7/2008 Yan et al.
D577,847 S 9/2008 Ruud et al.
D578,698 S 10/2008 Zheng
7,676,915 B2 3/2010 Ter-Hovhannissian
D626,266 S 10/2010 Verelst
D634,465 S 3/2011 Siefker et al.
D634,884 S 3/2011 Yoshinobu et al.

D636,926 S 4/2011 You
2002/0093820 A1 7/2002 Pederson
2003/0137838 A1 7/2003 Rizkin et al.
2003/0156410 A1 8/2003 Ter-Hovhannissian

OTHER PUBLICATIONS

U.S. Restriction Requirement issued in U.S. Appl. No. 29/376,796 dated Jun. 22, 2011.

Figure 1

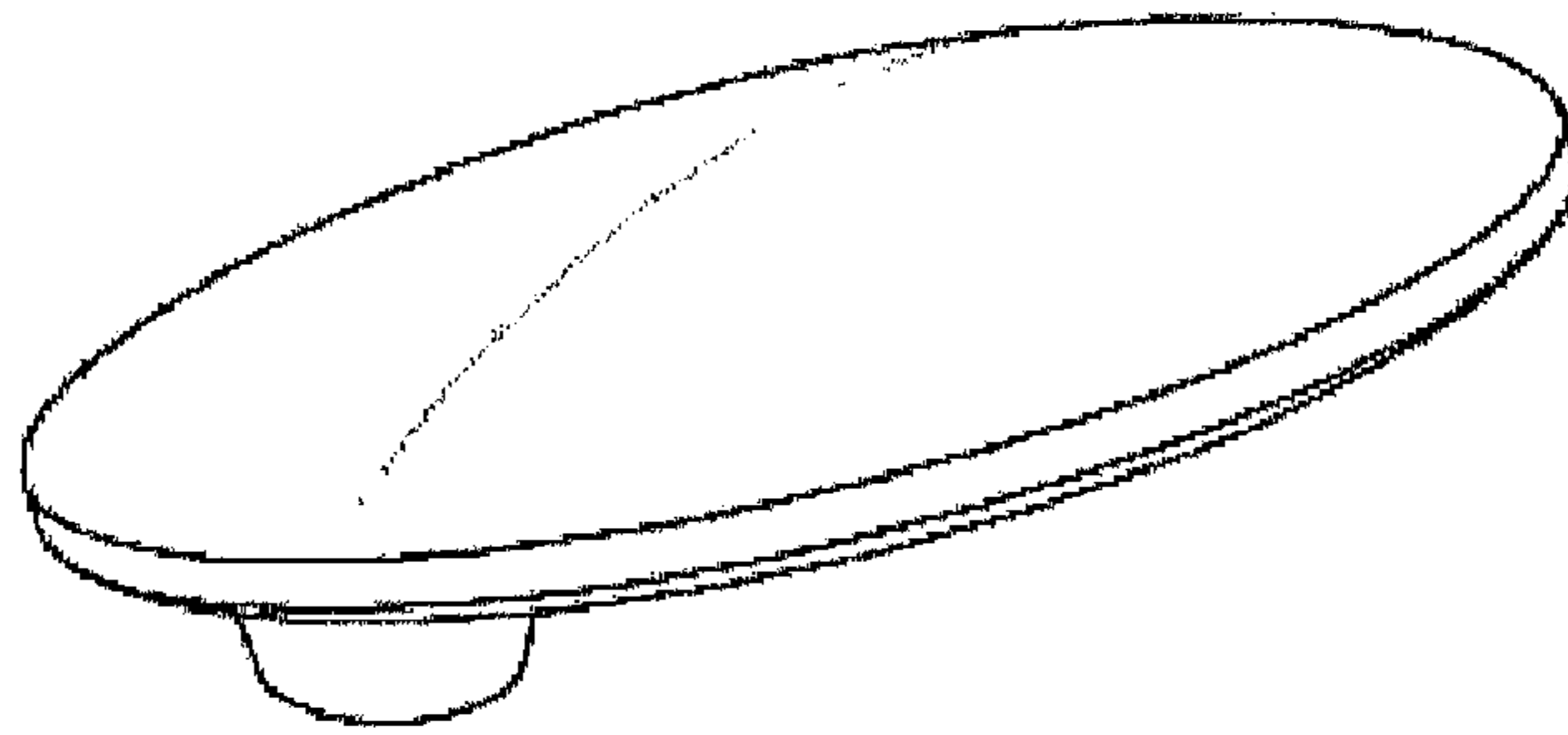


Figure 2

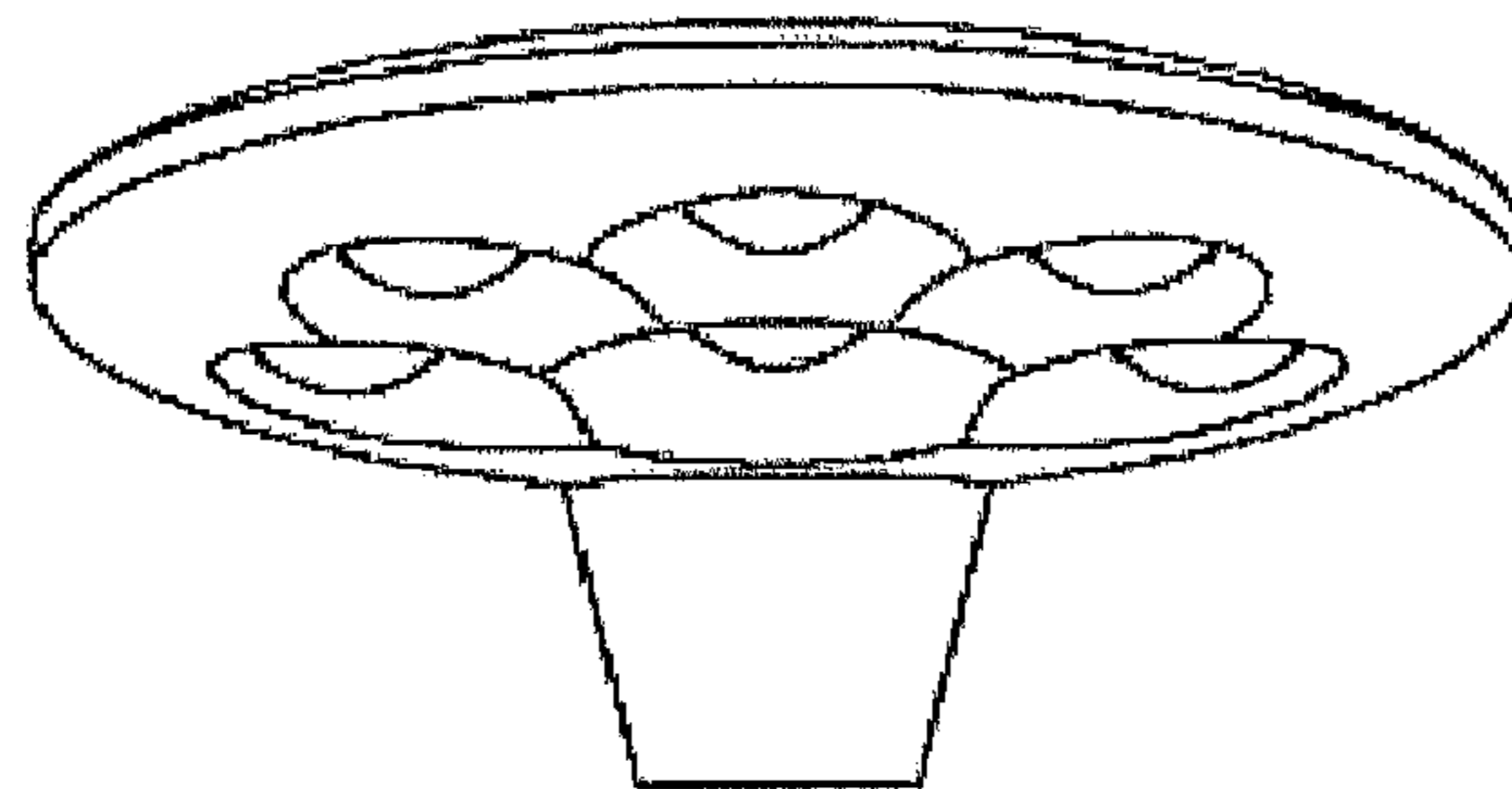


Figure 3

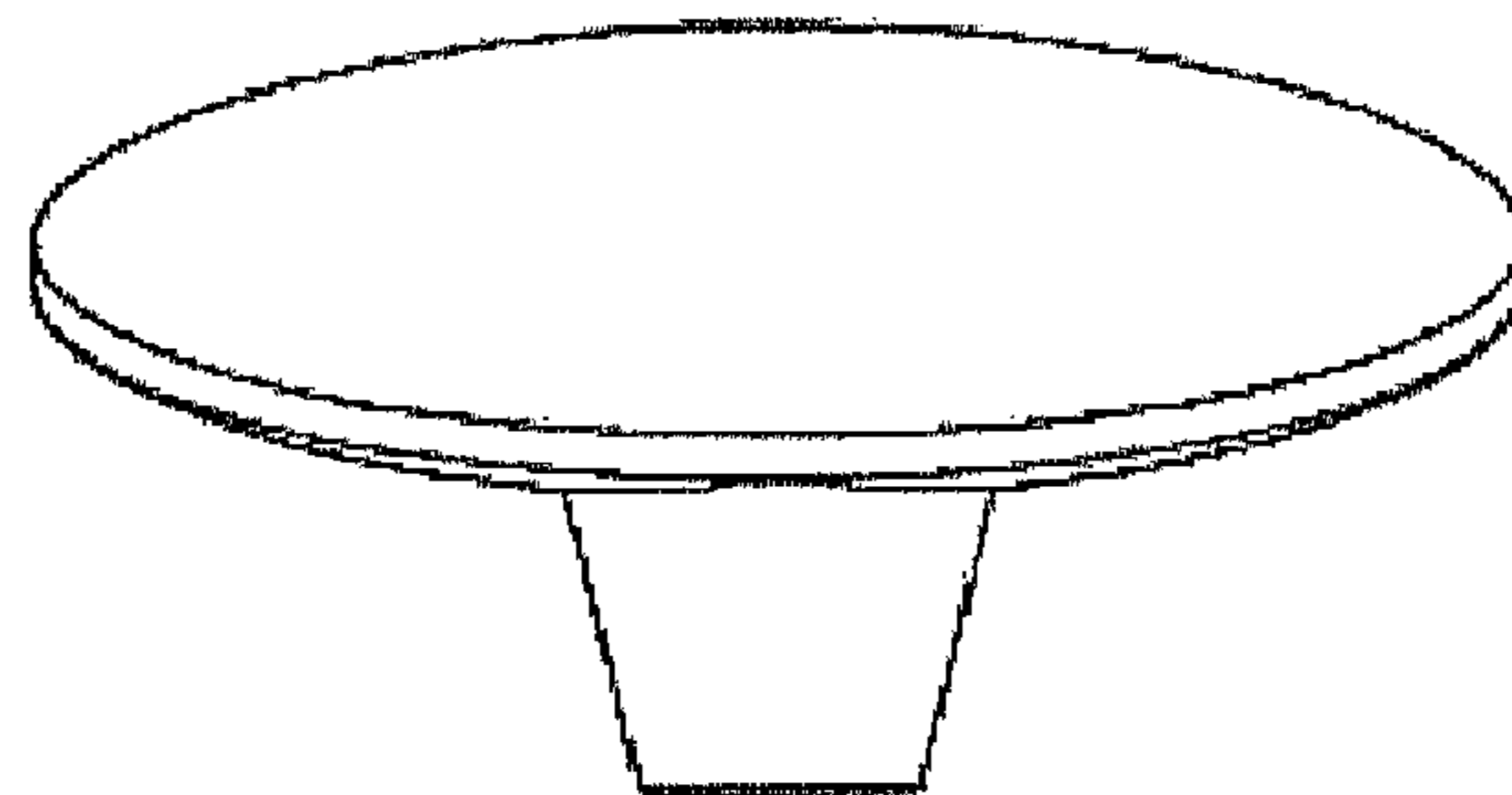


Figure 4

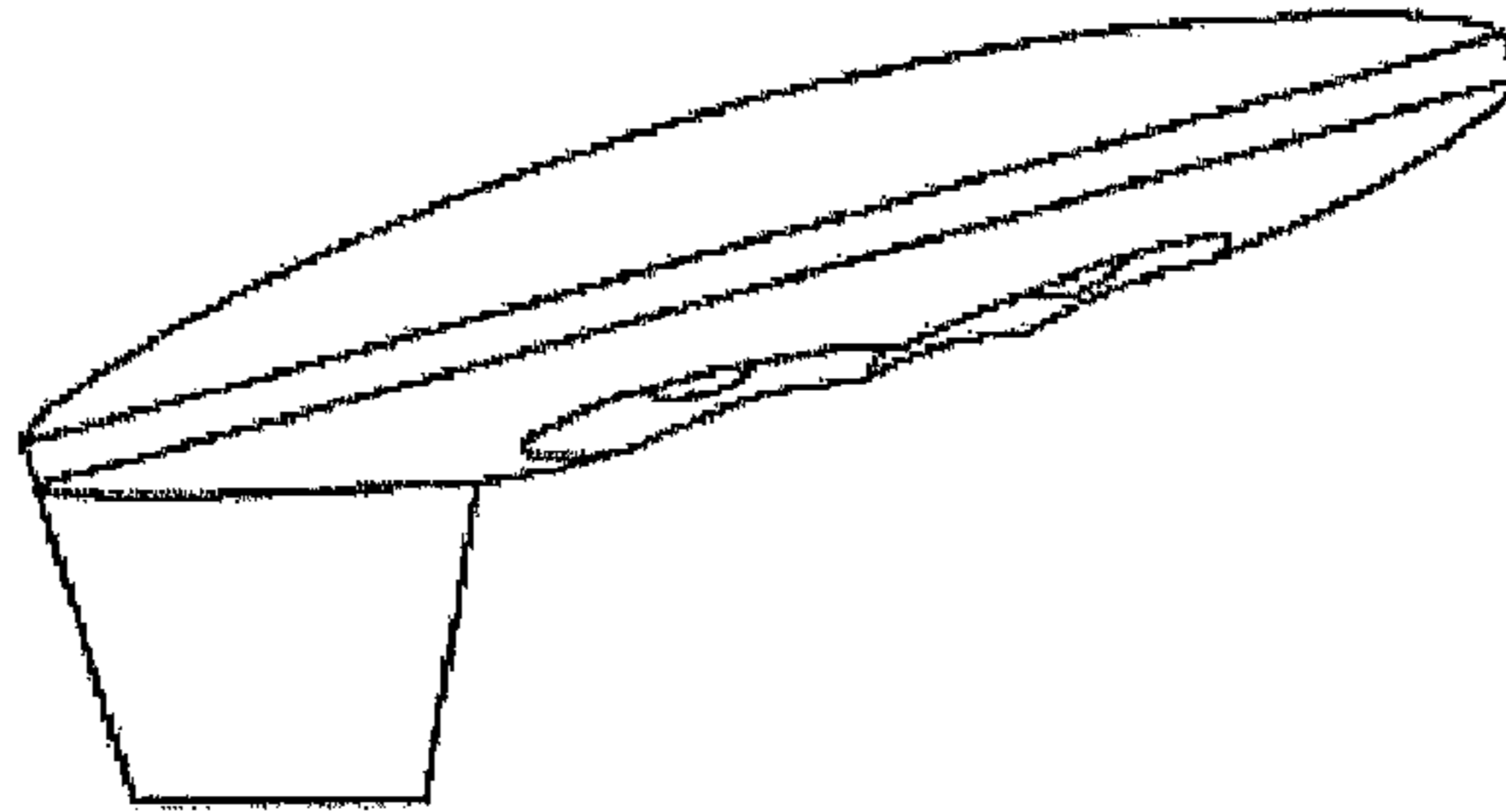


Figure 5

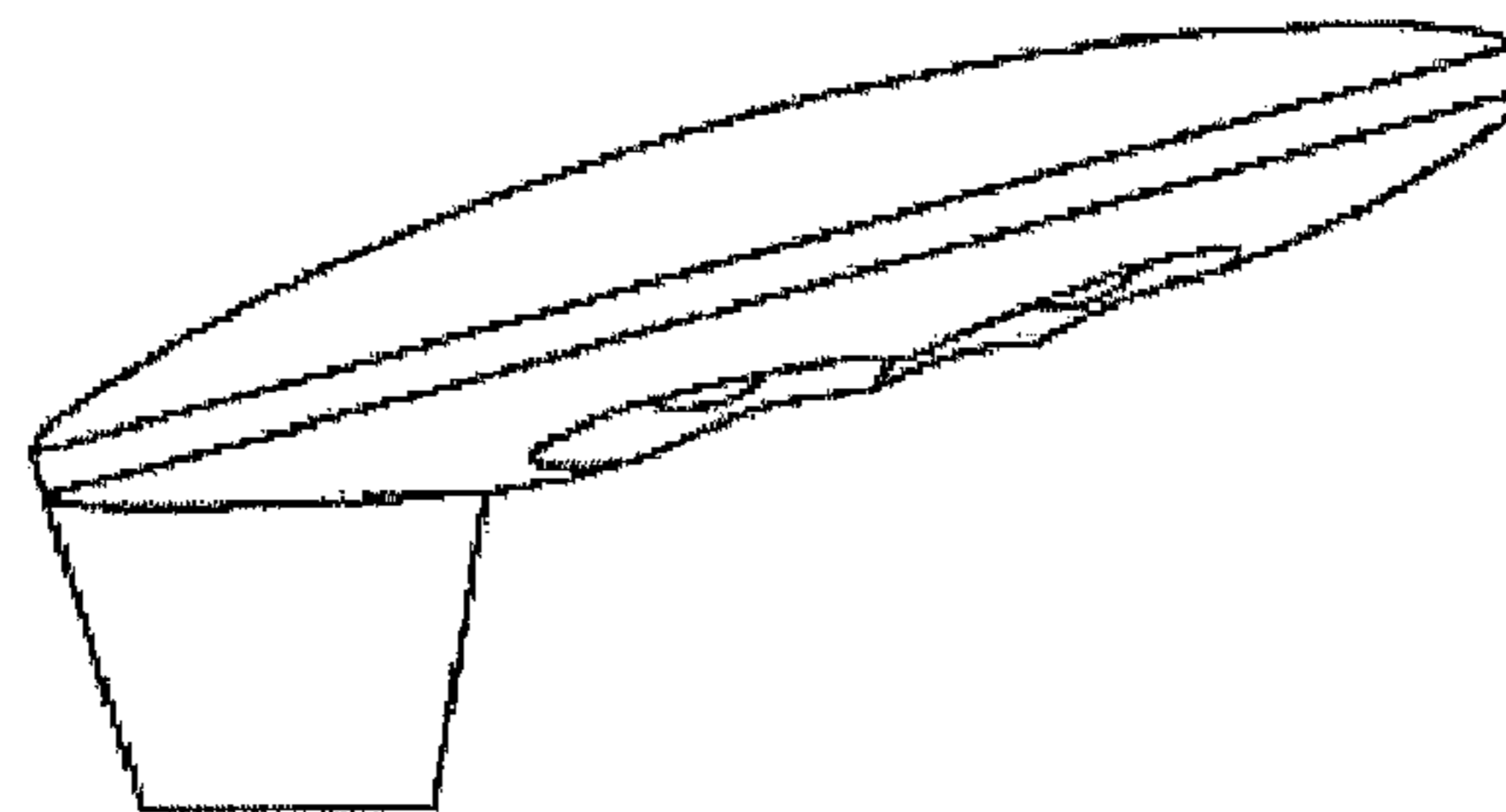


Figure 6

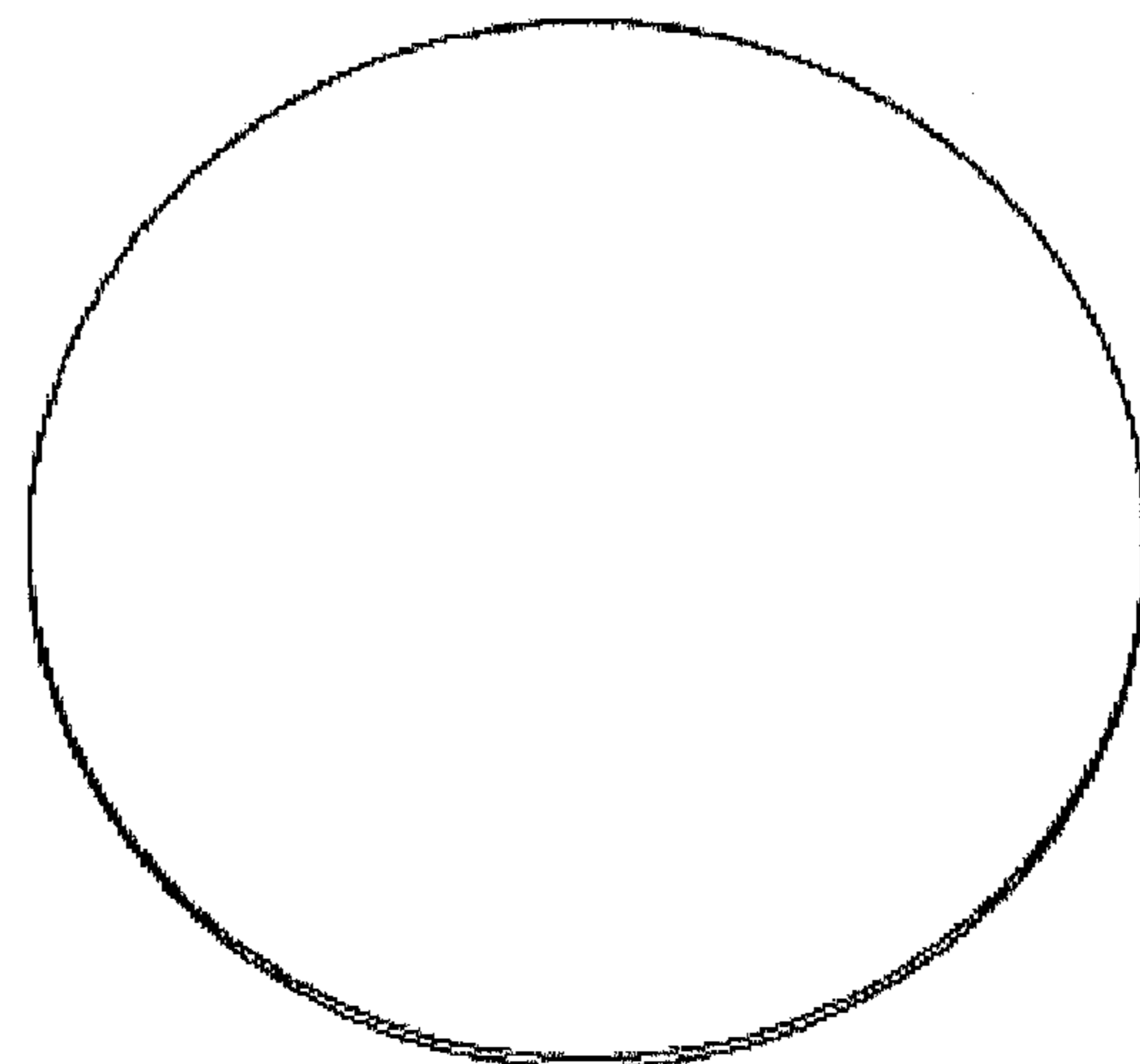


Figure 7

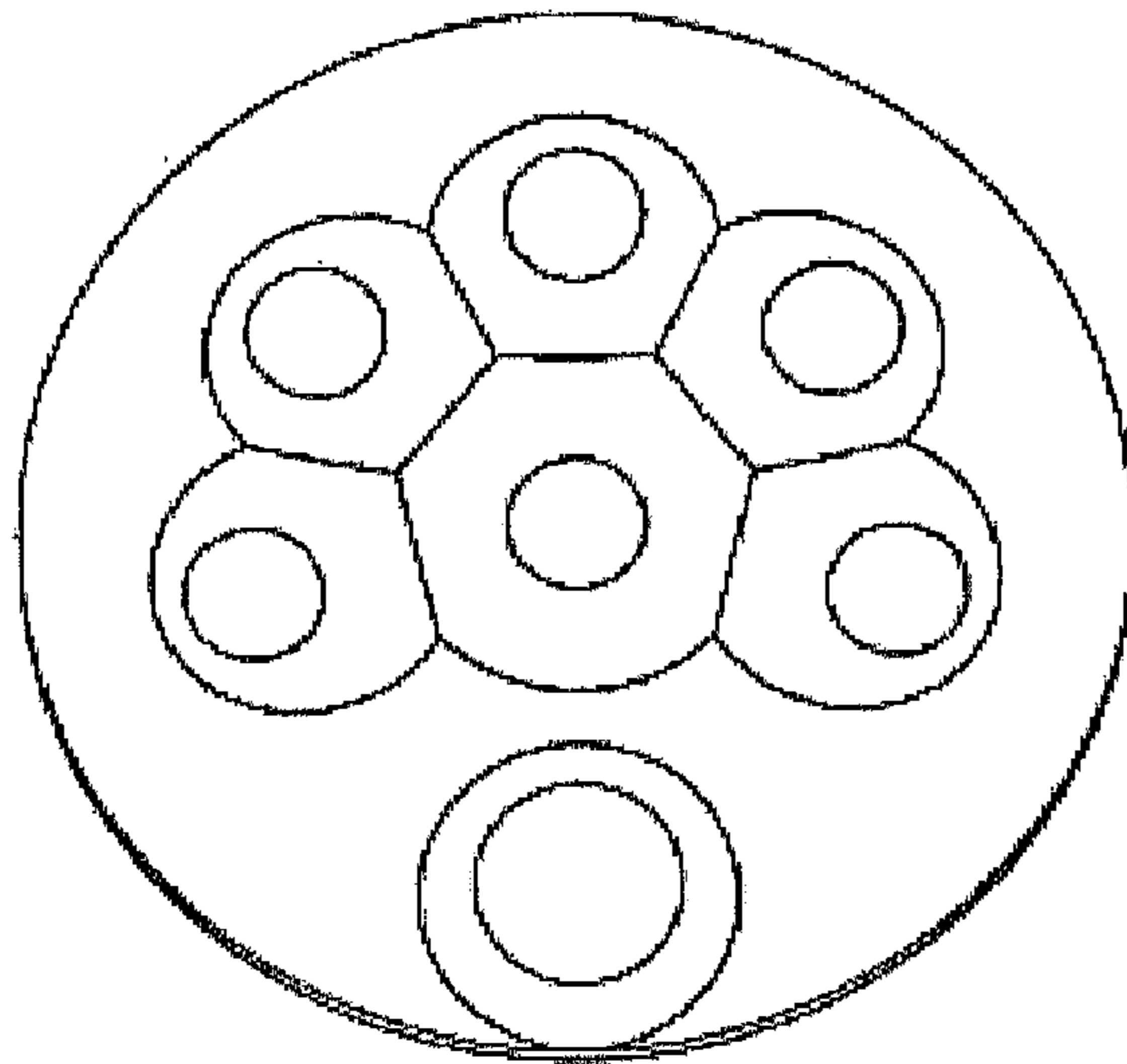


Figure 8

