



US00D657483S

(12) **United States Design Patent**
Leen

(10) **Patent No.:** **US D657,483 S**
(45) **Date of Patent:** **** Apr. 10, 2012**

(54) **WORK LAMP HEAD**

(75) Inventor: **Monte Leen**, Bellevue, WA (US)

(73) Assignee: **Coleman Cable, Inc.**, Waukegan, IL (US)

(**) Term: **14 Years**

(21) Appl. No.: **29/388,082**

(22) Filed: **Mar. 23, 2011**

(51) **LOC (9) Cl.** **26-02**

(52) **U.S. Cl.** **D26/37**

(58) **Field of Classification Search** D26/37,
D26/38, 39, 42, 44, 45, 46, 48, 50, 51, 60,
D26/61, 63, 65; 362/157, 158, 183-189,
362/194-208, 285, 368

See application file for complete search history.

(56) **References Cited**

U.S. PATENT DOCUMENTS

D365,408 S * 12/1995 Lui D26/63
D385,640 S * 10/1997 Leen D26/63
D449,398 S * 10/2001 Tsao D26/63

D461,018 S * 7/2002 Leen D26/60
D486,599 S * 2/2004 Bayat et al. D26/63
D490,555 S * 5/2004 Bayat et al. D26/65
D519,238 S * 4/2006 Leen D26/119
D625,872 S * 10/2010 Leen D26/63

* cited by examiner

Primary Examiner — Ian Simmons

Assistant Examiner — Carissa C Fitts

(74) *Attorney, Agent, or Firm* — Patzik, Frank & Samotny Ltd

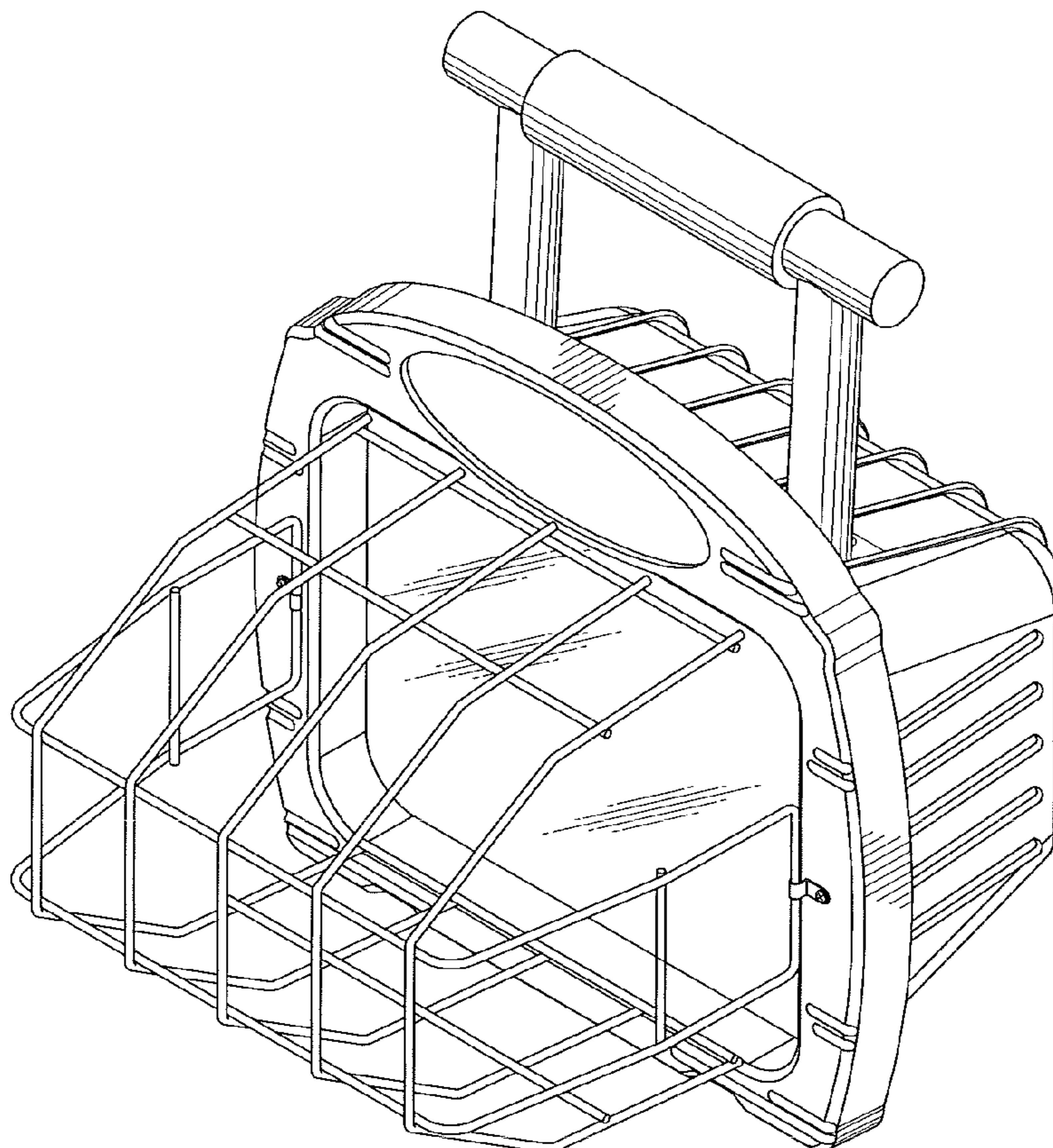
(57) **CLAIM**

The ornamental design for a work lamp head, as shown and described.

DESCRIPTION

FIG. 1 is a front perspective view of a work lamp head.
FIG. 2 is a front elevational view of the invention.
FIG. 3 is a rear elevational view of the invention.
FIG. 4 is a right side elevational view of the invention.
FIG. 5 is a left side elevational view of the invention.
FIG. 6 is a top plan view of the invention; and,
FIG. 7 is a bottom plan view of the invention.

1 Claim, 4 Drawing Sheets



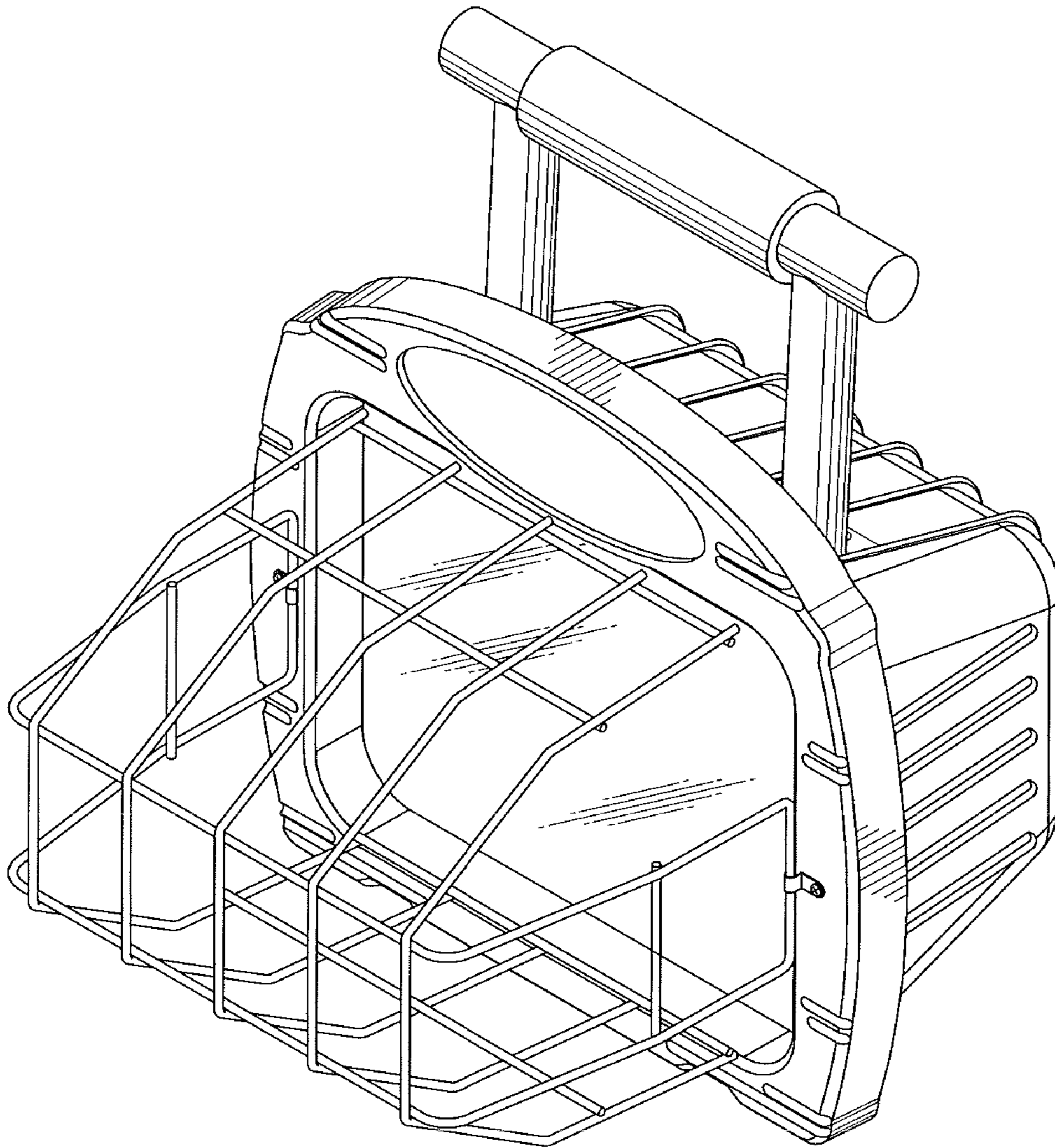


Fig. 1

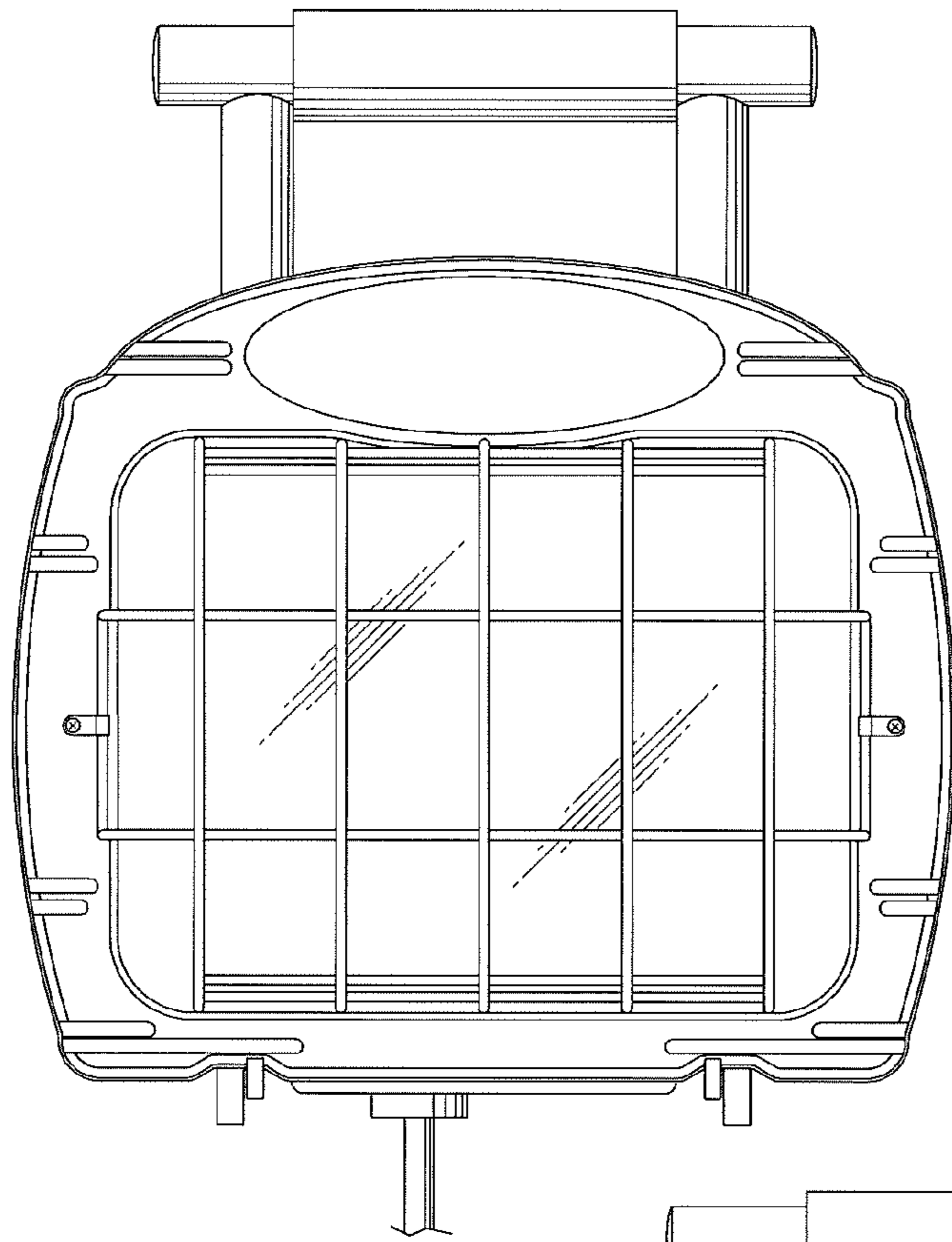


Fig. 2

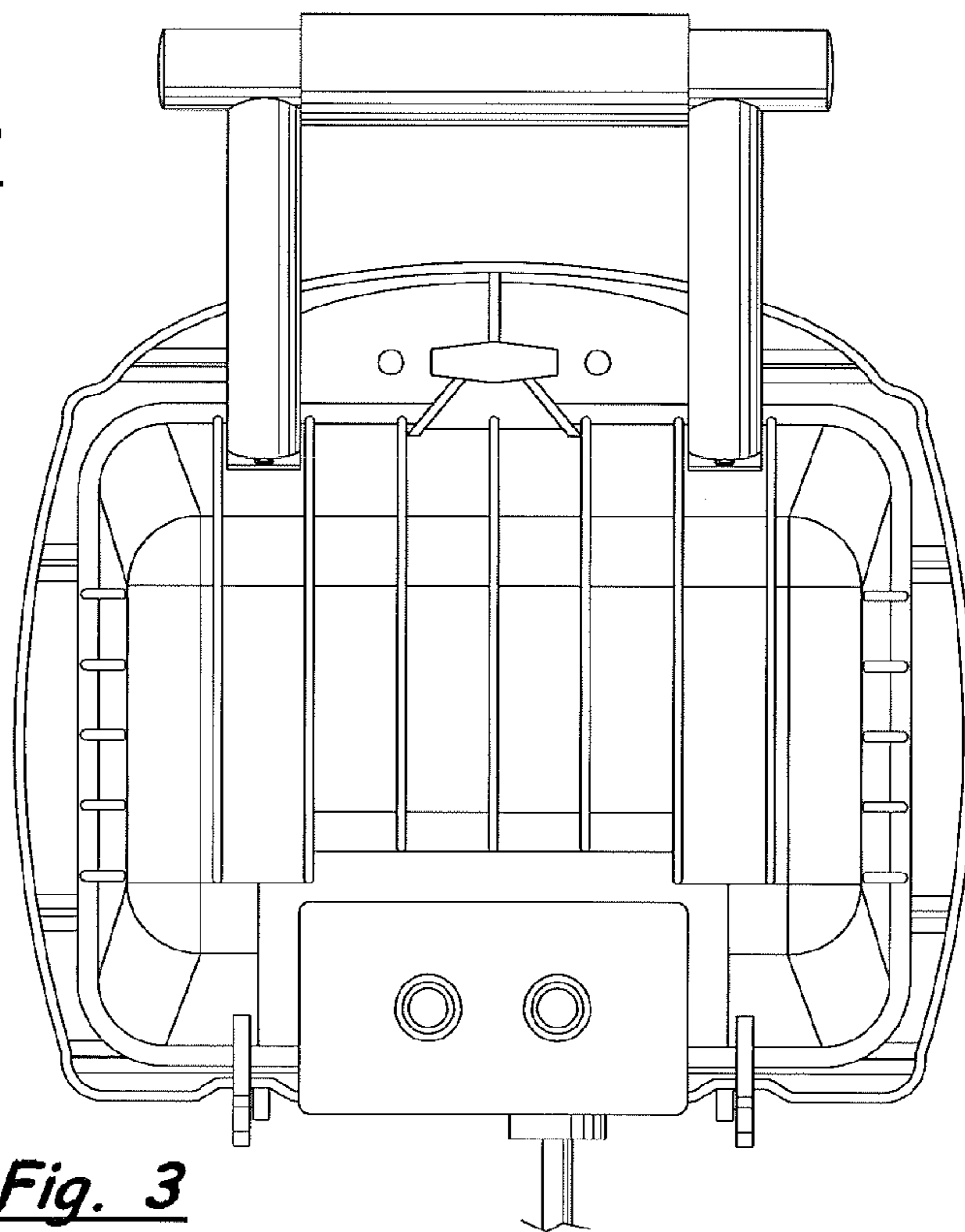


Fig. 3

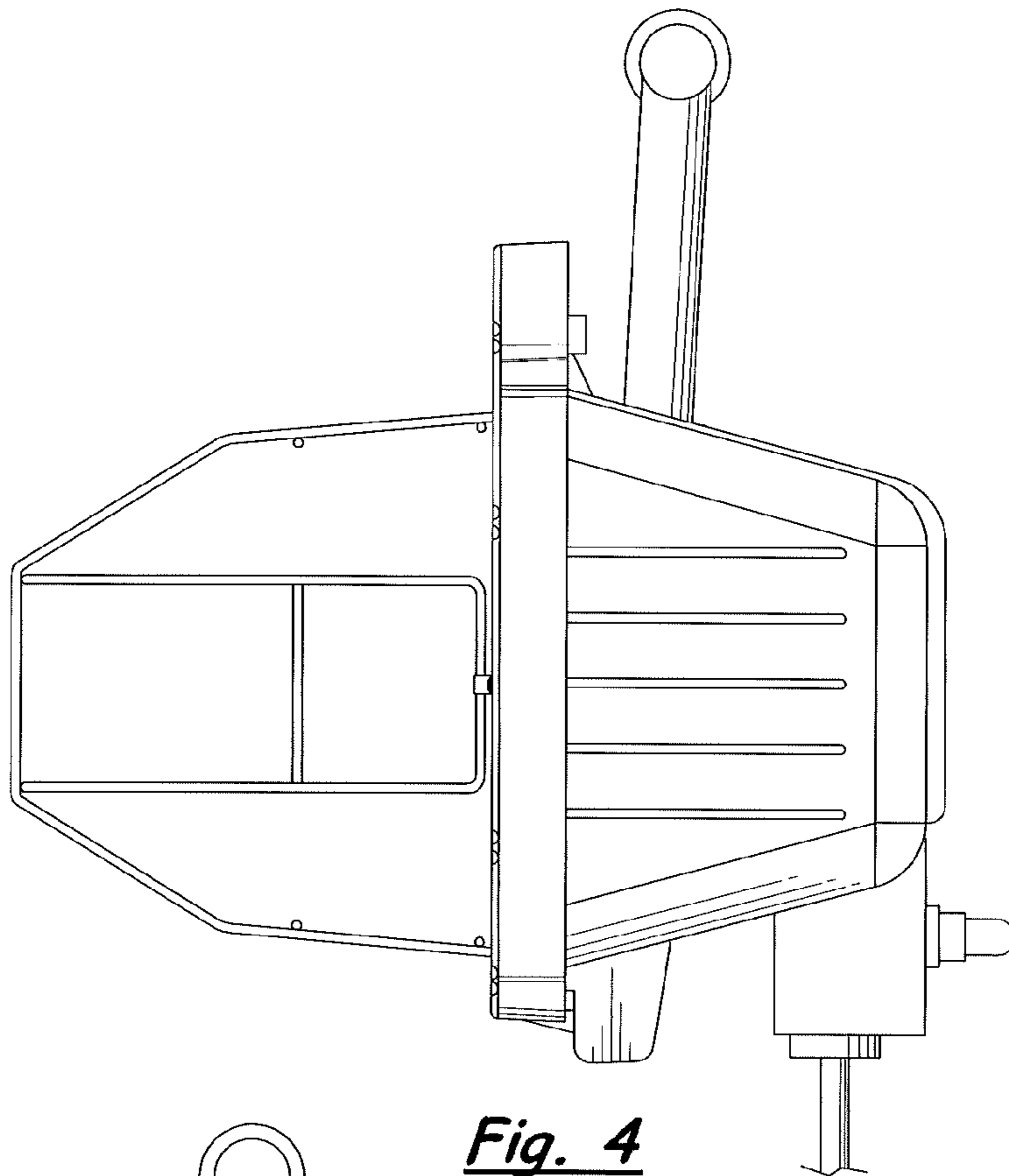


Fig. 4

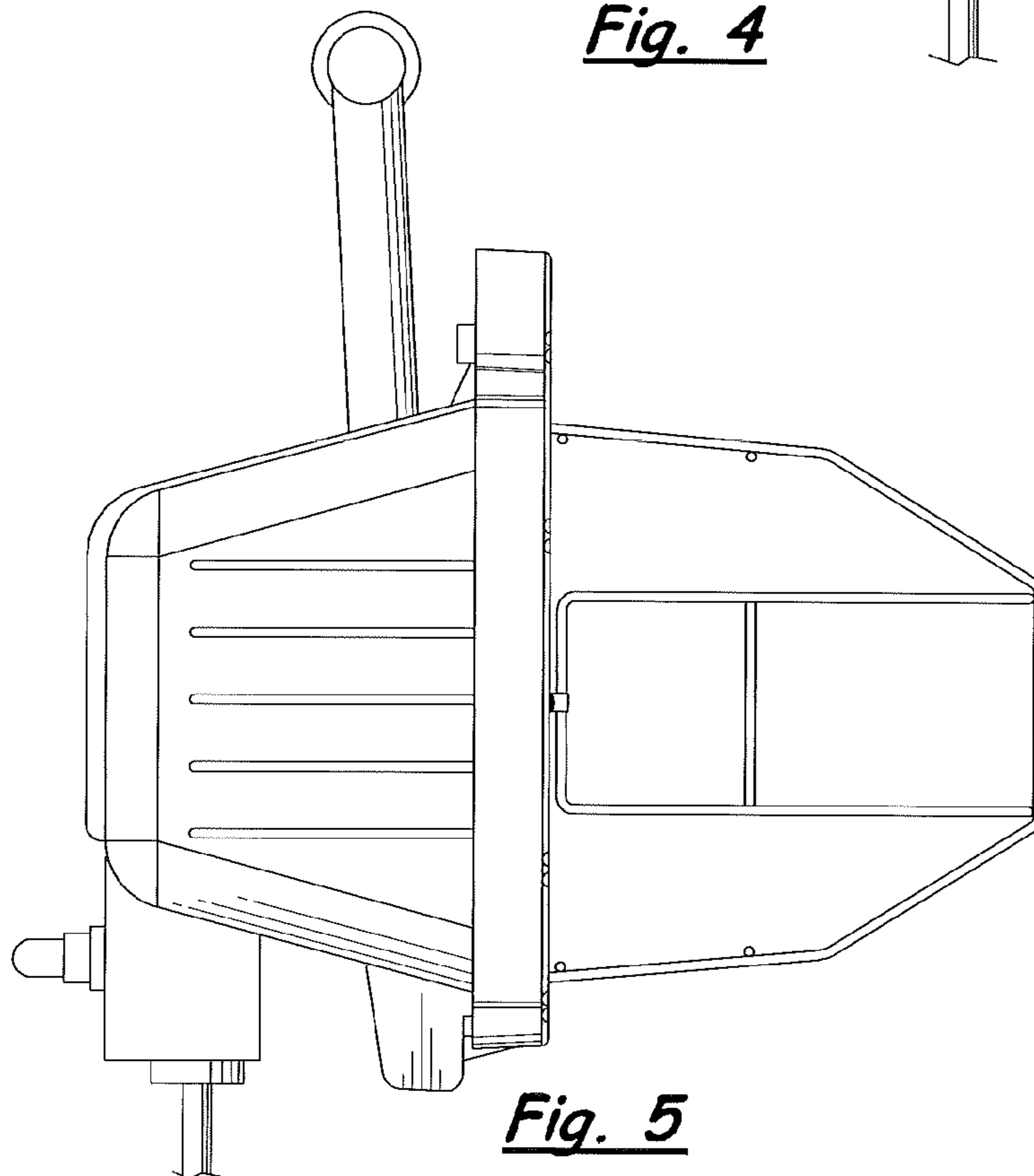


Fig. 5

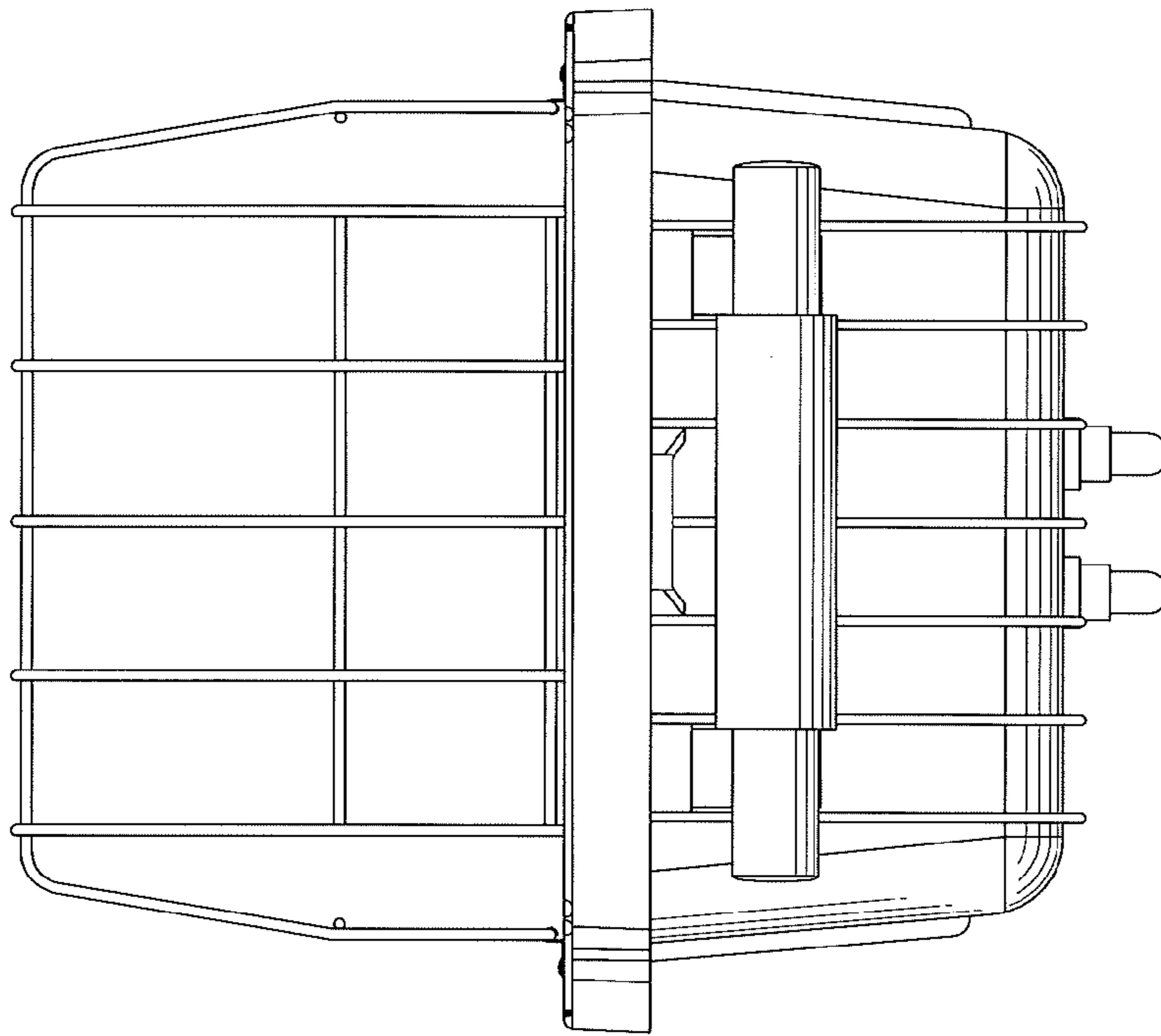


Fig. 6

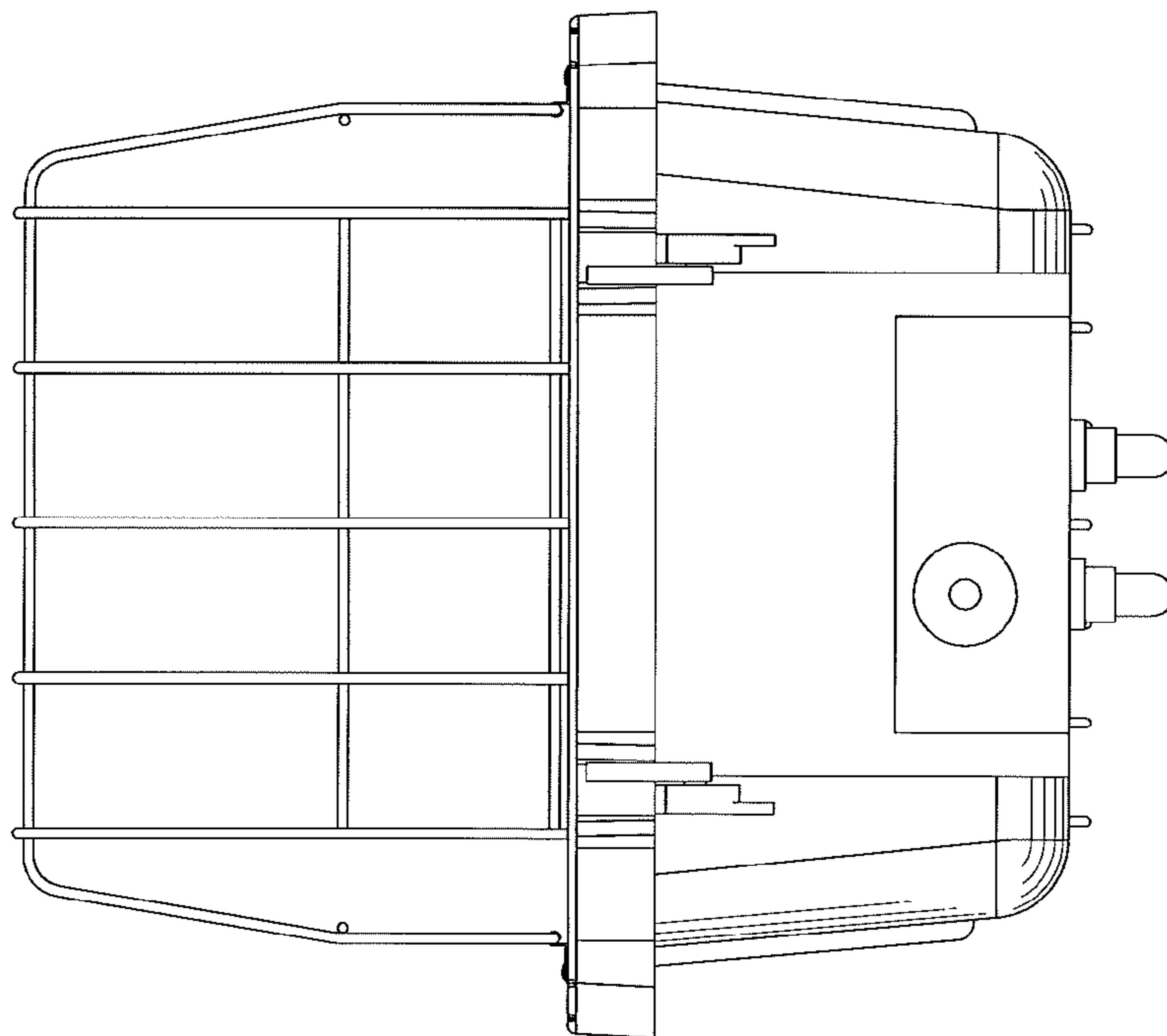


Fig. 7