



US00D657480S

(12) **United States Design Patent**
Wens

(10) **Patent No.:** **US D657,480 S**
(45) **Date of Patent:** **** Apr. 10, 2012**

(54) **CANDLES HOLDER**

(75) Inventor: **Roger M. Wens**, Snohomish, WA (US)

(73) Assignee: **TL Stackerz, LLC**, Snohomish, WA (US)

(**) Term: **14 Years**

(21) Appl. No.: **29/403,954**

(22) Filed: **Oct. 13, 2011**

Related U.S. Application Data

(62) Division of application No. 29/386,229, filed on Feb. 25, 2011, now Pat. No. Des. 649,666.

(51) **LOC (9) Cl.** **26-01**

(52) **U.S. Cl.** **D26/13**

(58) **Field of Classification Search** D26/6-23,
D26/102; D11/117, 121, 125, 131; 362/448,
362/161, 159; 431/297, 295, 294, 293, 292;
D3/315, 316

See application file for complete search history.

(56) **References Cited**

U.S. PATENT DOCUMENTS

3,449,034	A	*	6/1969	Sparks et al.	312/45
D303,863	S	*	10/1989	Purifoy	D99/34
5,267,893	A	*	12/1993	Mangigian	453/54
D353,083	S	*	12/1994	Simon	D3/316

D485,045	S	*	1/2004	Davis, Jr.	D99/34
D492,443	S	*	6/2004	Smith et al.	D26/102
D526,760	S	*	8/2006	Fraser	D99/34
D567,993	S	*	4/2008	Shiu	D26/102

* cited by examiner

Primary Examiner — T. Chase Nelson

Assistant Examiner — Ania Aman

(74) *Attorney, Agent, or Firm* — Kilpatrick Townsend & Stockton LLP

(57) **CLAIM**

The ornamental design for candles holder, as shown and described.

DESCRIPTION

FIG. 1 is a perspective view of a candles holder showing my new design with candles in broken line for illustrative purposes;

FIG. 2 is a perspective view thereof, with the candles removed;

FIG. 3 is a front elevational view thereof;

FIG. 4 is a rear elevational view thereof;

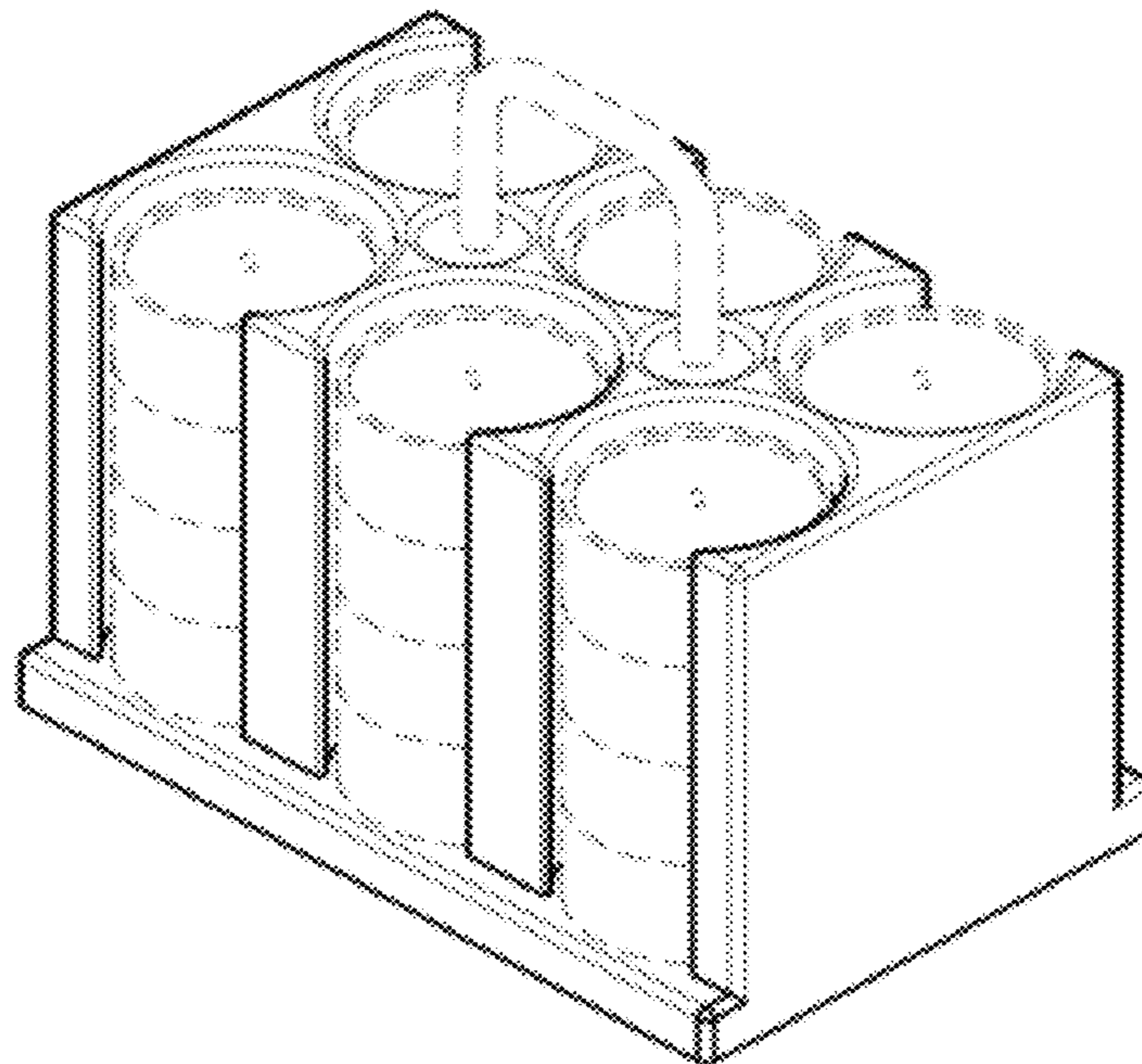
FIG. 5 is a right side elevational view thereof;

FIG. 6 is a left side elevational view thereof; and,

FIG. 7 is a top plan view thereof.

The broken line showing is for illustrative purposes only and forms no part of the claimed design.

1 Claim, 4 Drawing Sheets



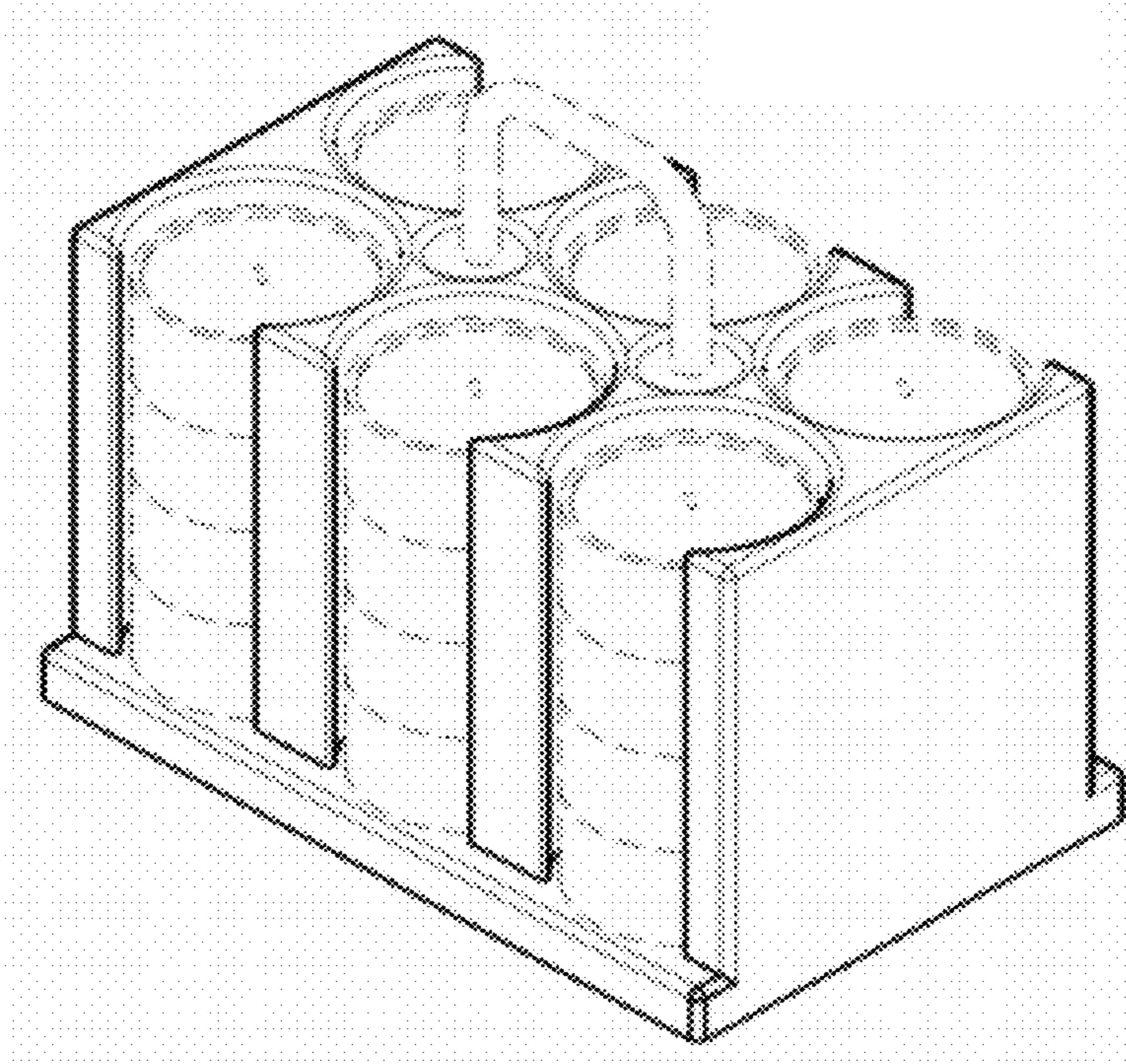


FIG. 1

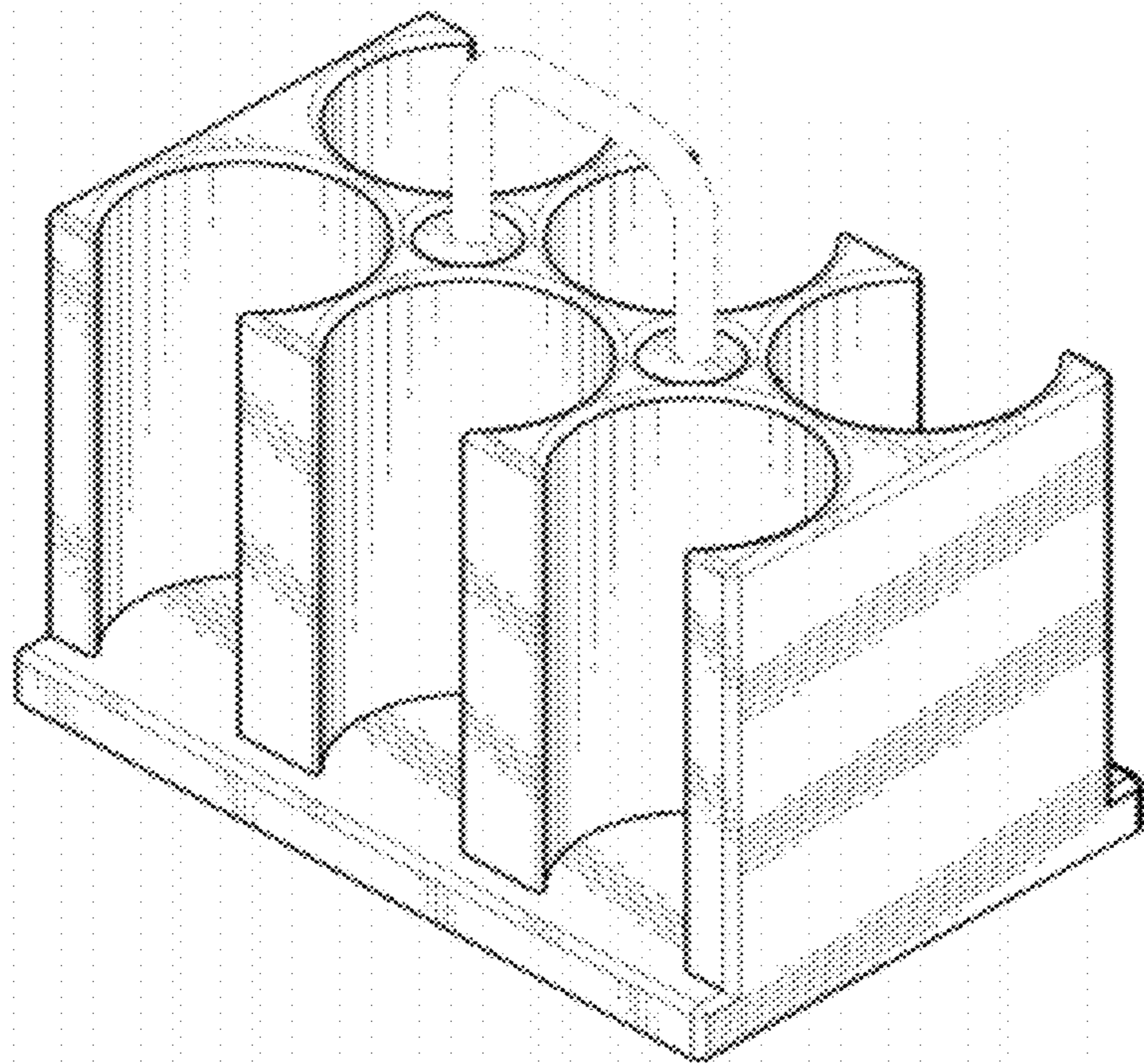


FIG. 2

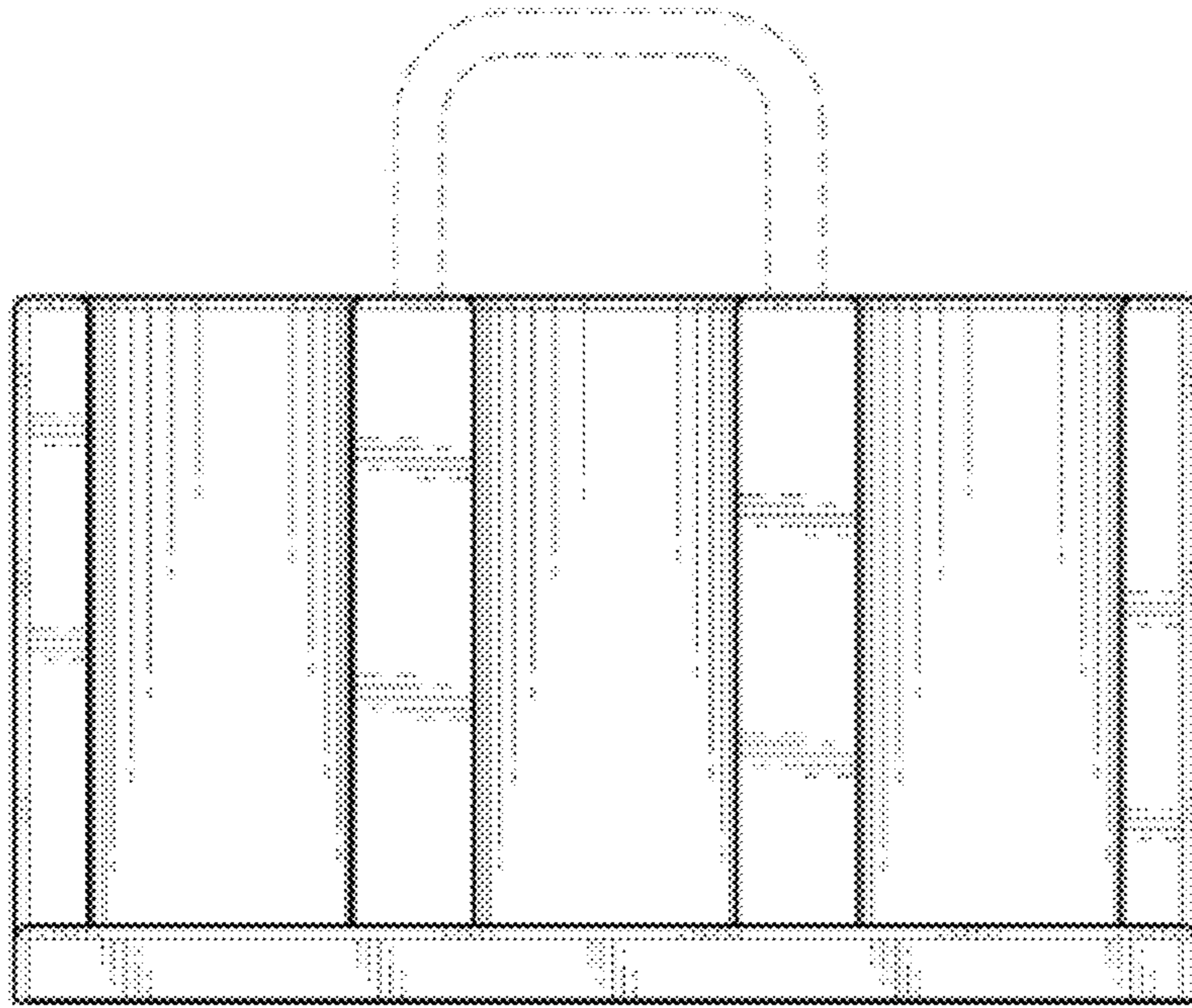


FIG. 3

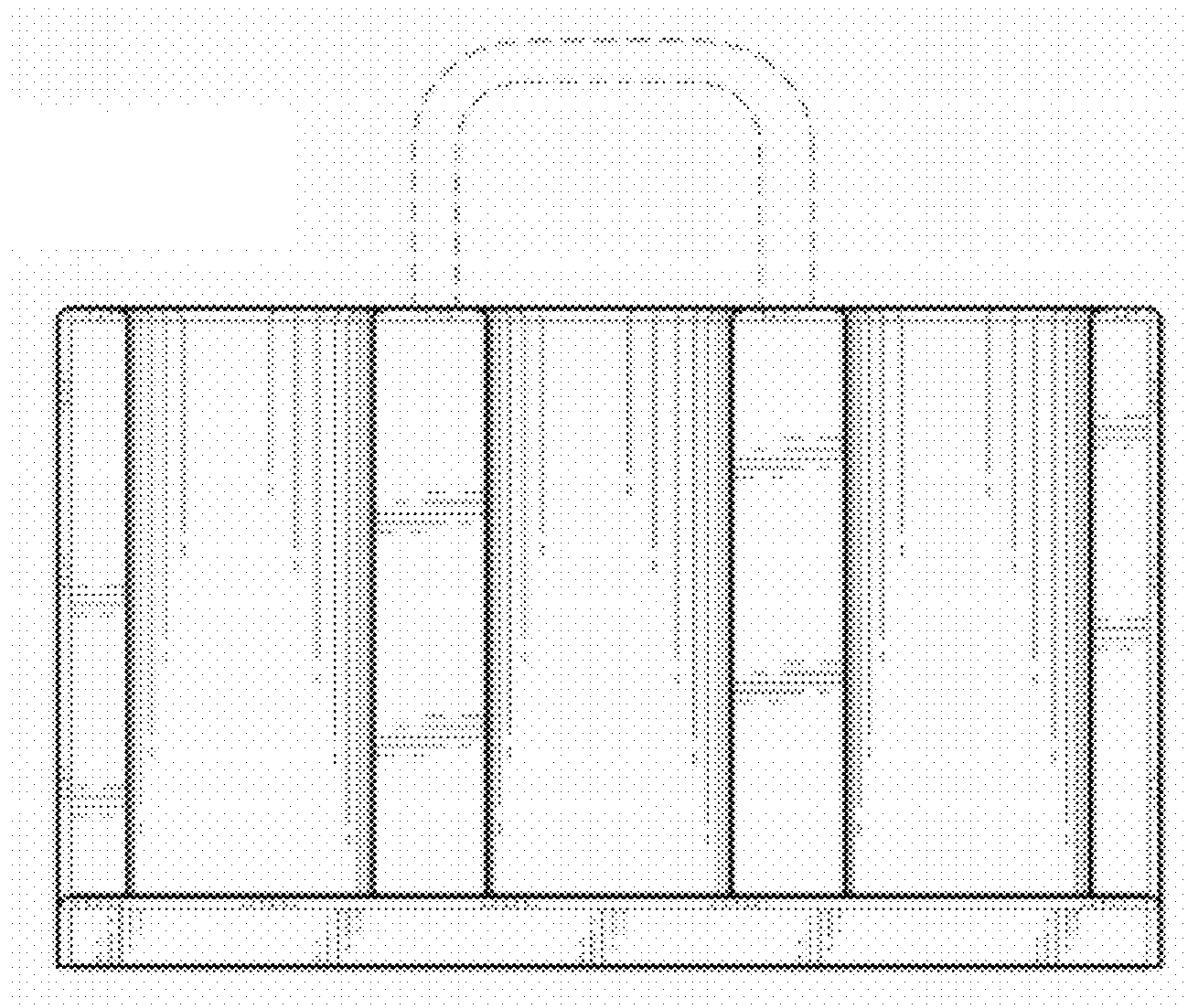


FIG. 4

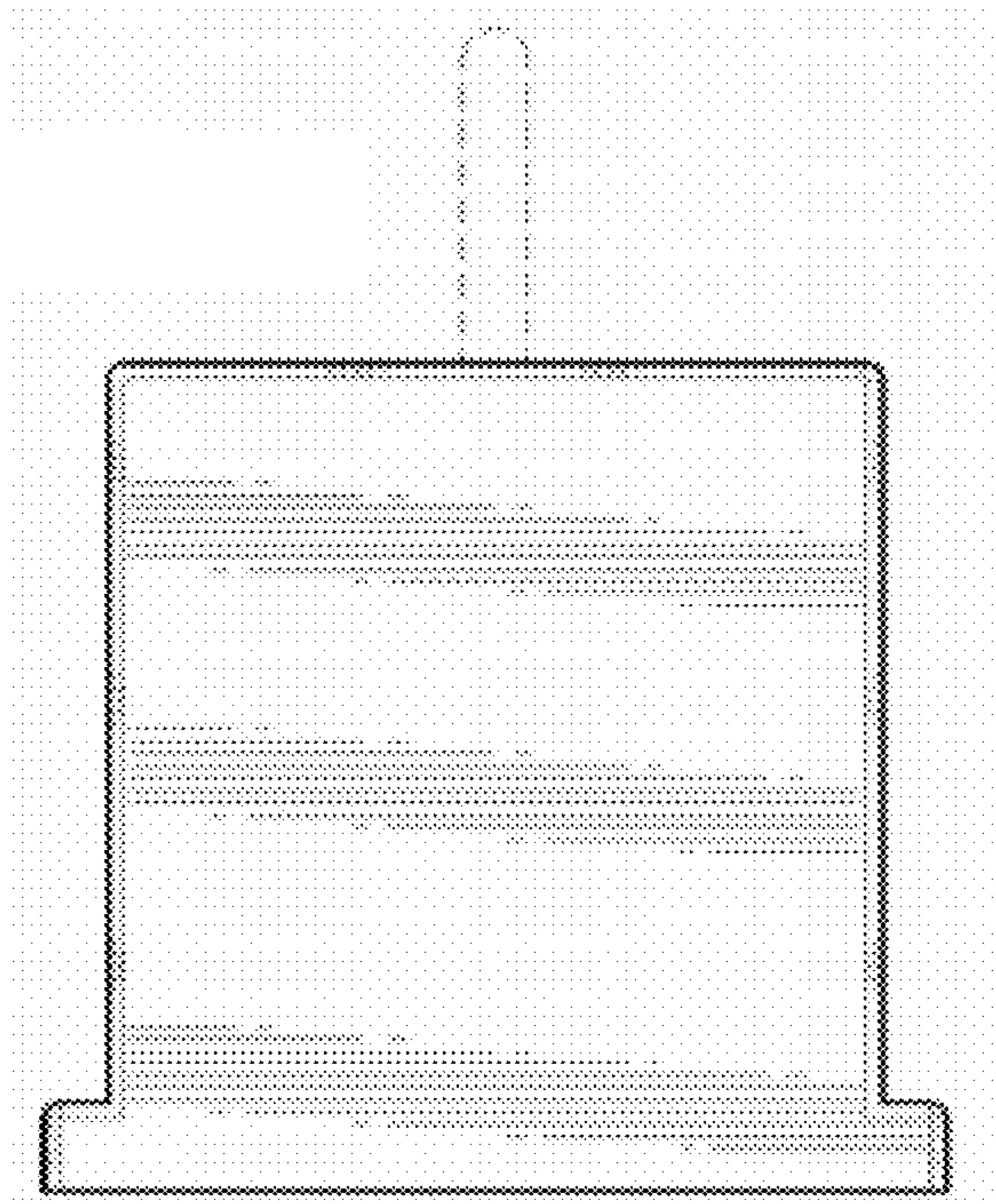


FIG. 5

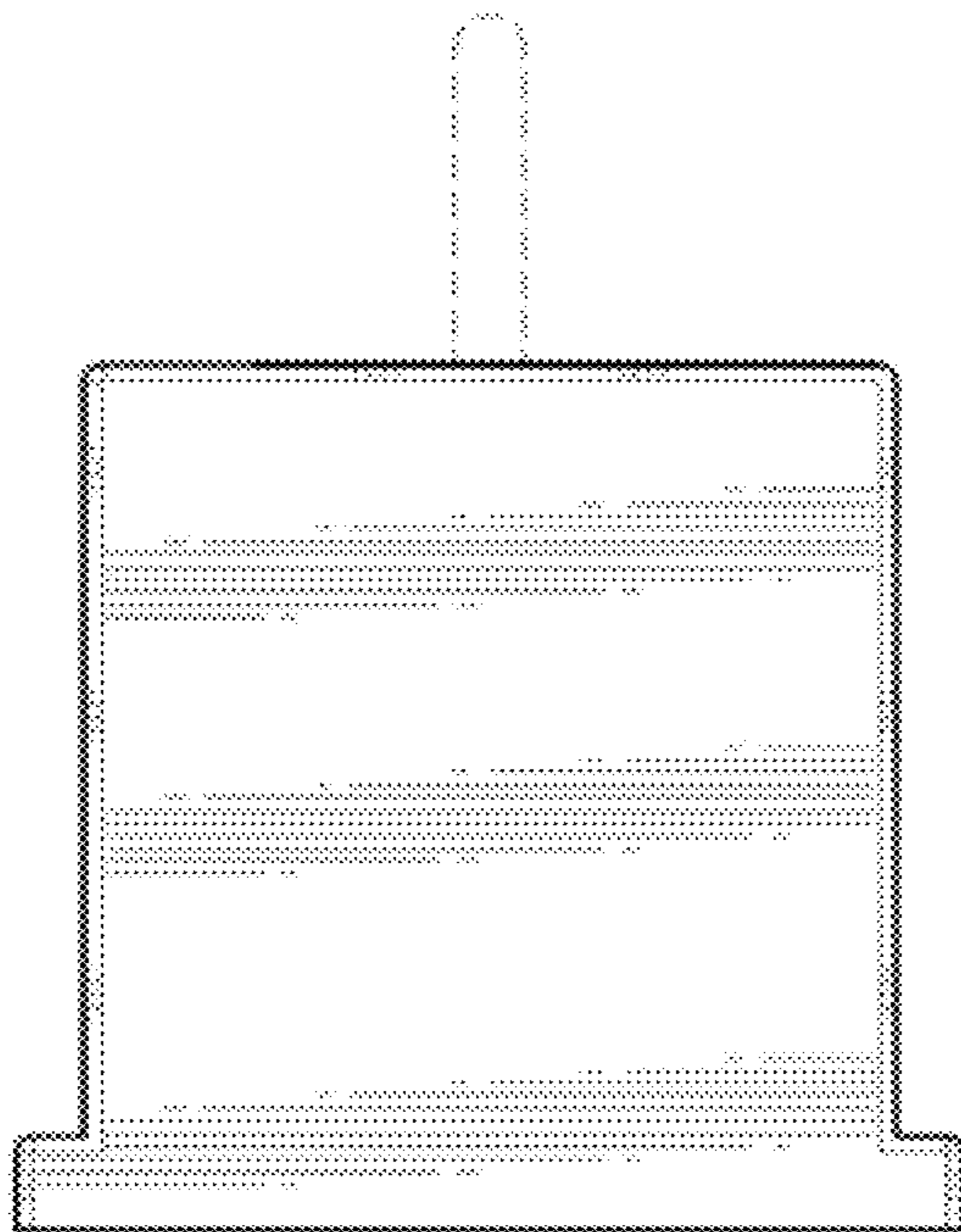


FIG. 6

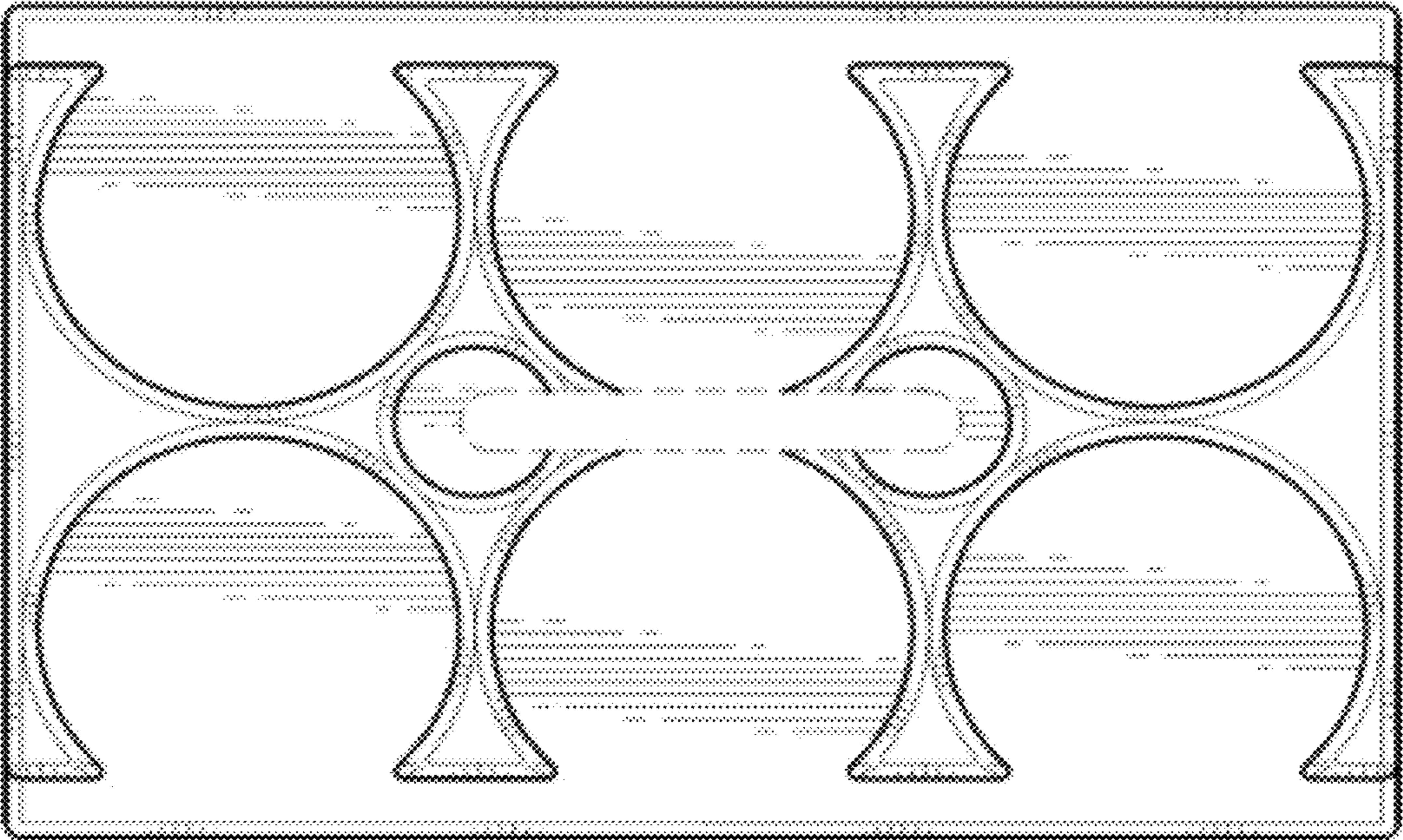


FIG. 7