

US00D657478S

(12) **United States Design Patent**  
**Zeng et al.**

(10) **Patent No.:** **US D657,478 S**

(45) **Date of Patent:** **\*\* Apr. 10, 2012**

(54) **LAMP**

(75) Inventors: **Yichong Zeng**, Chelmsford, MA (US);  
**Hong Luo**, Andover, MA (US); **Shiyong Zhang**, Acton, MA (US)

(73) Assignee: **OSRAM SYLVANIA Inc.**, Danvers, MA (US)

(\*\*) Term: **14 Years**

(21) Appl. No.: **29/374,124**

(22) Filed: **Jul. 6, 2011**

(51) **LOC (9) Cl.** ..... **26-04**

(52) **U.S. Cl.** ..... **D26/2**

(58) **Field of Classification Search** ..... D26/1-4;  
313/313, 315, 316, 317, 318, 493; 315/52,  
315/53, 56, 57, 58

See application file for complete search history.

(56) **References Cited**

**U.S. PATENT DOCUMENTS**

D531,741 S	*	11/2006	Takahashi	.....	D26/2
D534,665 S	*	1/2007	Egawa et al.	.....	D26/2
D538,953 S	*	3/2007	Mama	.....	D26/2
D617,915 S	*	6/2010	Wada et al.	.....	D26/2
D633,226 S	*	2/2011	Katsaros	.....	D26/2

**OTHER PUBLICATIONS**

European Community Design Patent No. 001839150-0001, registered Mar. 22, 2011 (11 pages), depicting Osram LED lamp disclosed in Second I.D.S. filed Nov. 3, 2011 at NPL documents 1 and 2.  
A19 Bulb Specification in ANSI C78.20-2003, published in 2003 by American National Standard Lighting Group—NEMA. (1 pg.).

Press Release “Osram Sylvania Introduces Next Generation of Omni-Directional LED Lamp”, with photo and product specifications, pub’d May 18, 2011 based on Sylvania press release pub’d May 17, 2011, as depicted on website www.led-professional.com (2 pages, with color close-up photo).

Photo of Osram Sylvania A19 style omni-directional LED Lamp originally published May 17, 2011 in the US and re-published as shown in press release dated May 18, 2011 (1 page, color).

\* cited by examiner

*Primary Examiner* — Marcus Jackson

(74) *Attorney, Agent, or Firm* — Edward S. Podszus

(57) **CLAIM**

The ornamental design for a lamp, as shown and described.

**DESCRIPTION**

FIG. 1 is a front elevational view of a first embodiment of the ornamental design for a lamp;

FIG. 2 is a left side elevational view of the first embodiment;

FIG. 3 is a rear elevational view of the first embodiment;

FIG. 4 is a top plan view of the first embodiment;

FIG. 5 is a bottom plan view of the first embodiment; and

FIG. 6 is a perspective view of the first embodiment, as seen from the front, top side.

FIG. 7 is a front elevational view of a second embodiment of the ornamental design for a lamp, the design being rotationally symmetric;

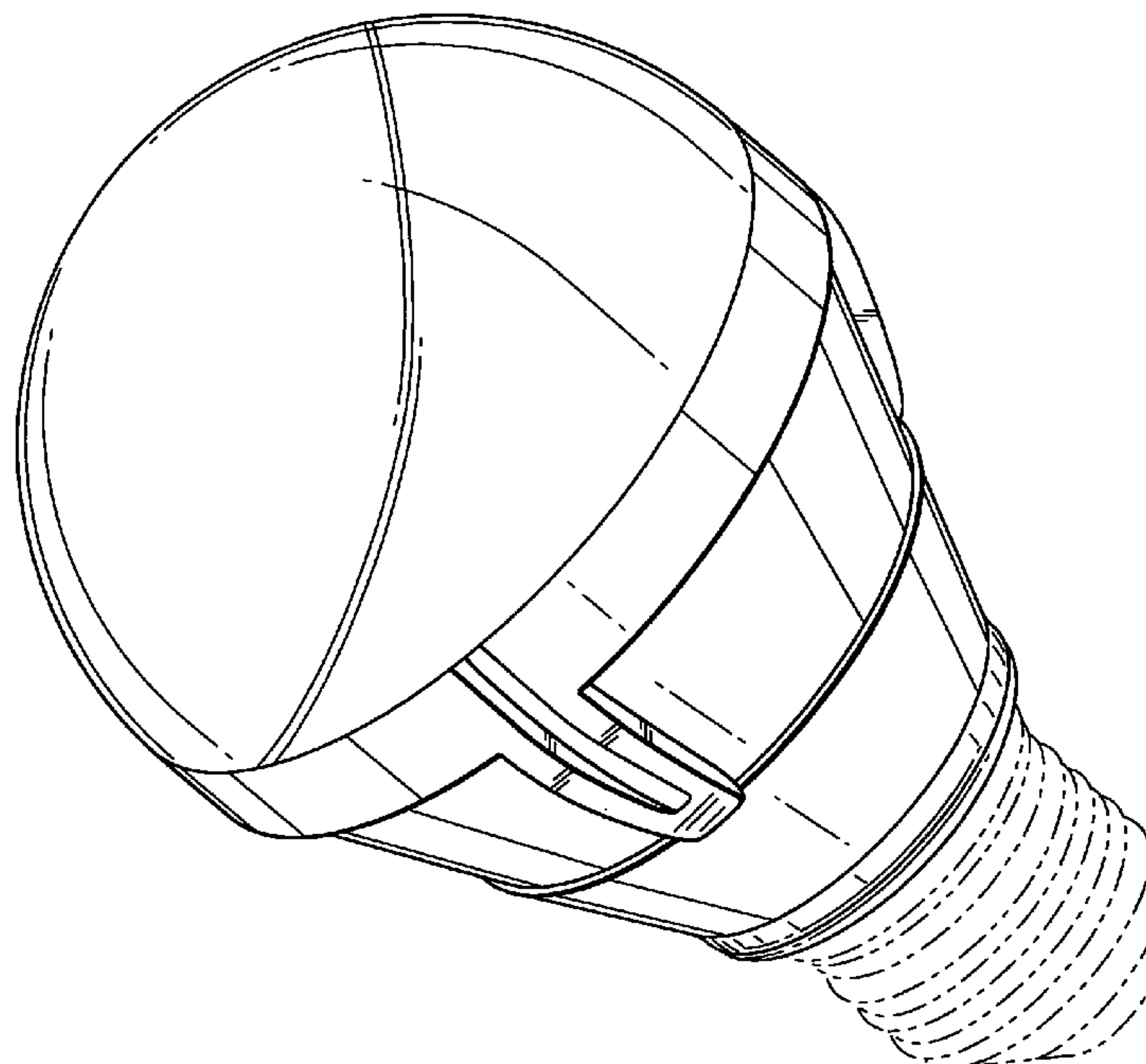
FIG. 8 is a top plan view of the second embodiment;

FIG. 9 is a bottom plan view of the second embodiment; and,

FIG. 10 is a perspective view of the second embodiment, as seen from the front, top side.

The broken line disclosure is for environmental purposes only and does not form a part of the claimed design.

**1 Claim, 10 Drawing Sheets**



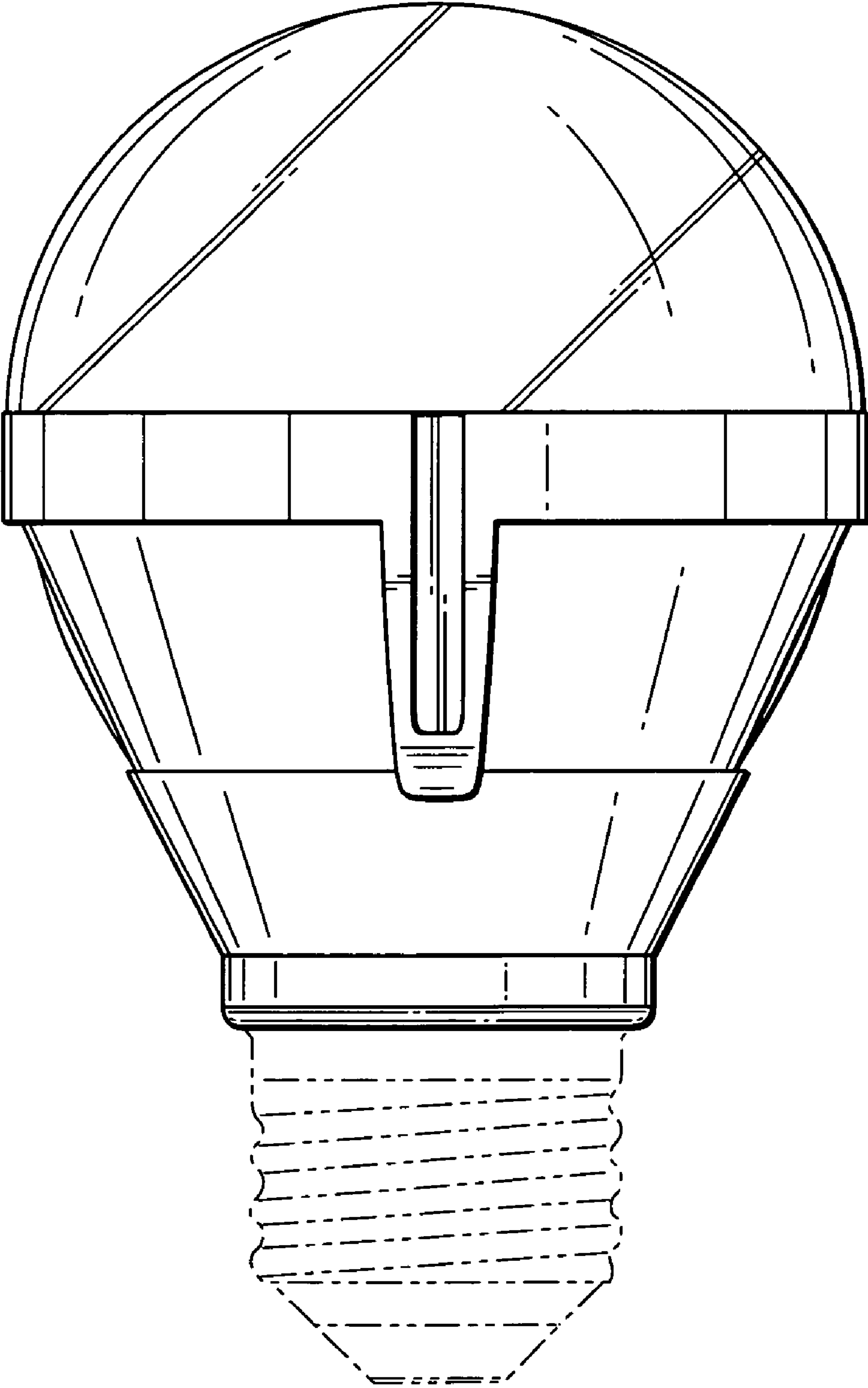


FIG. 1

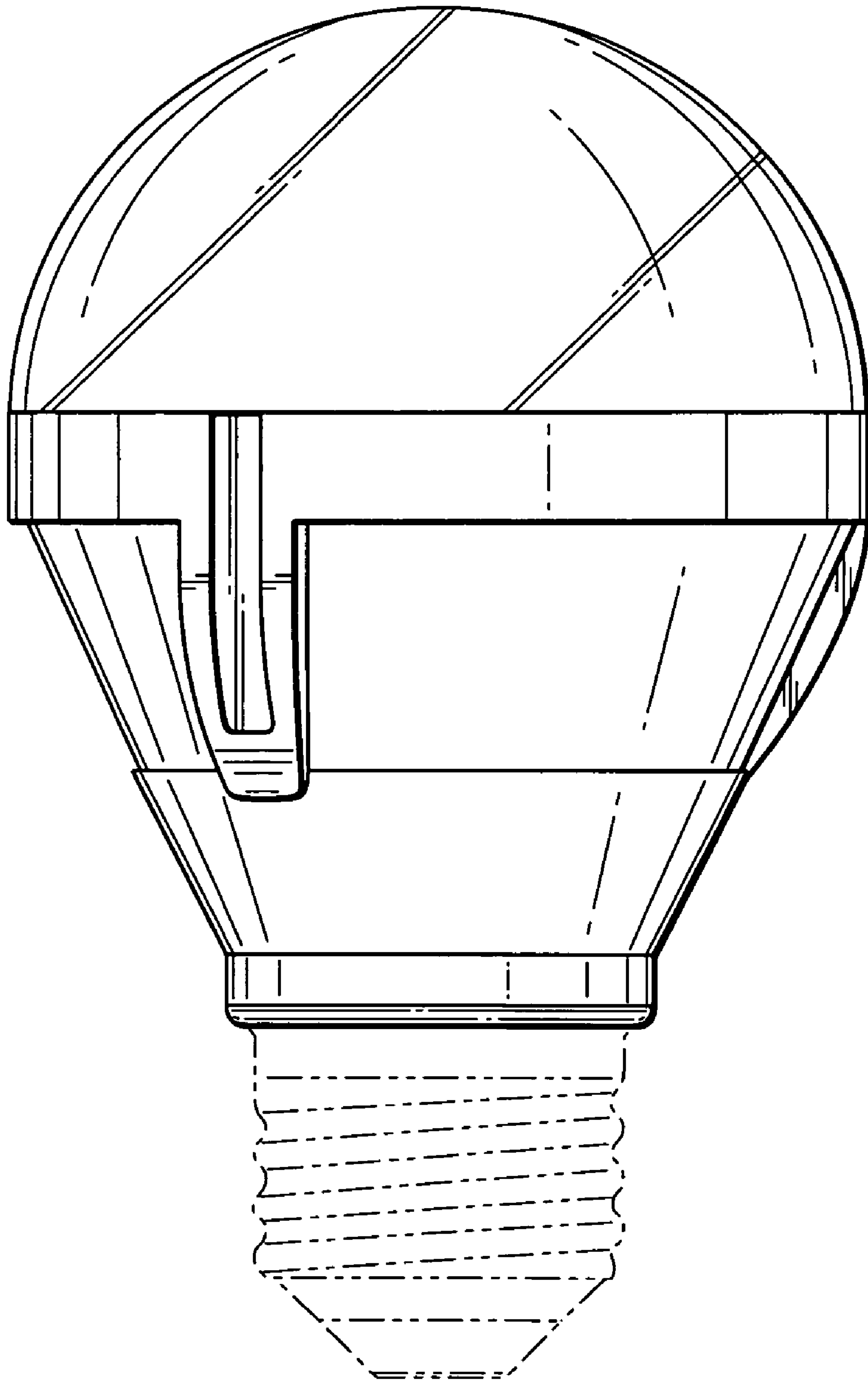


FIG. 2

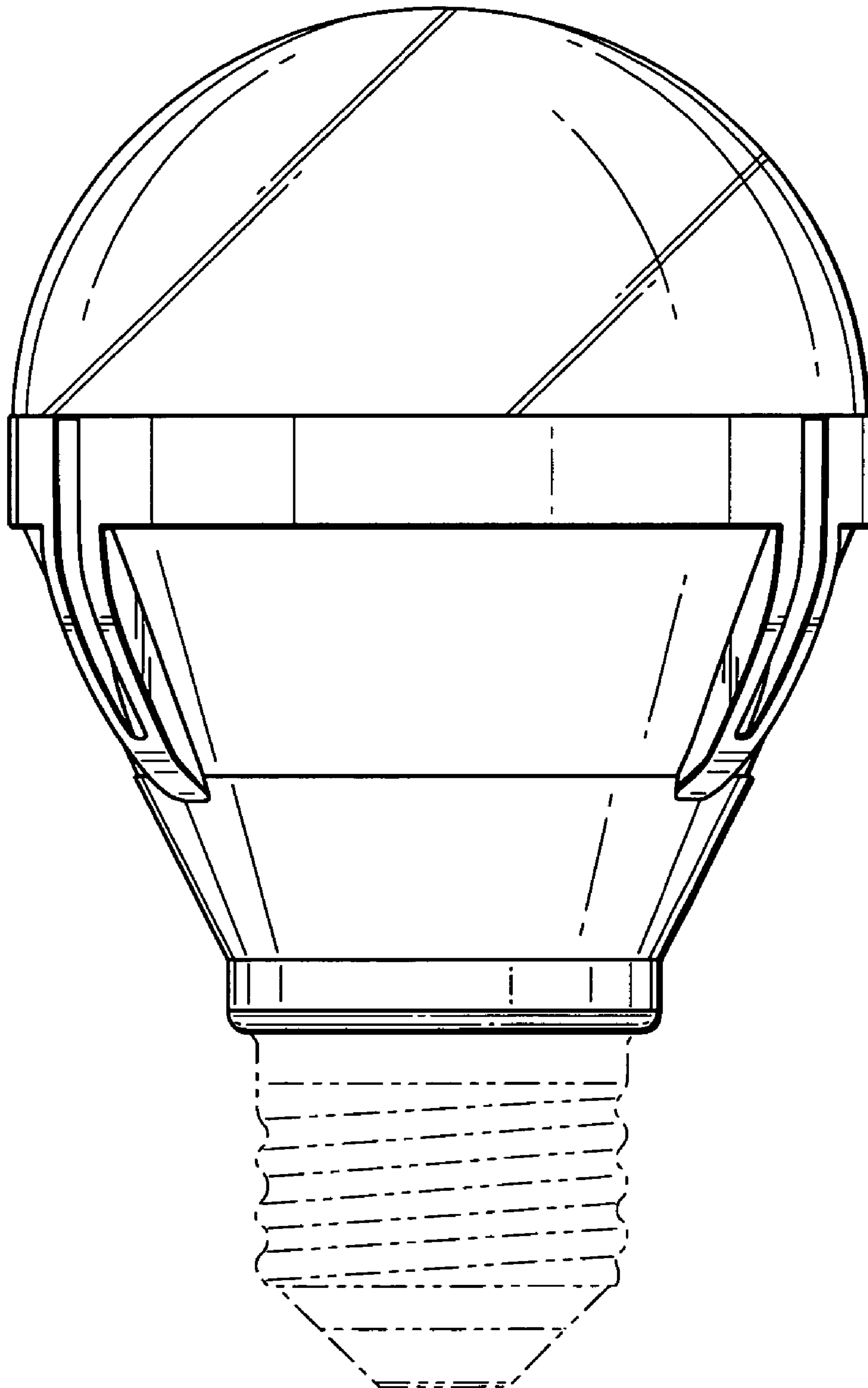


FIG. 3

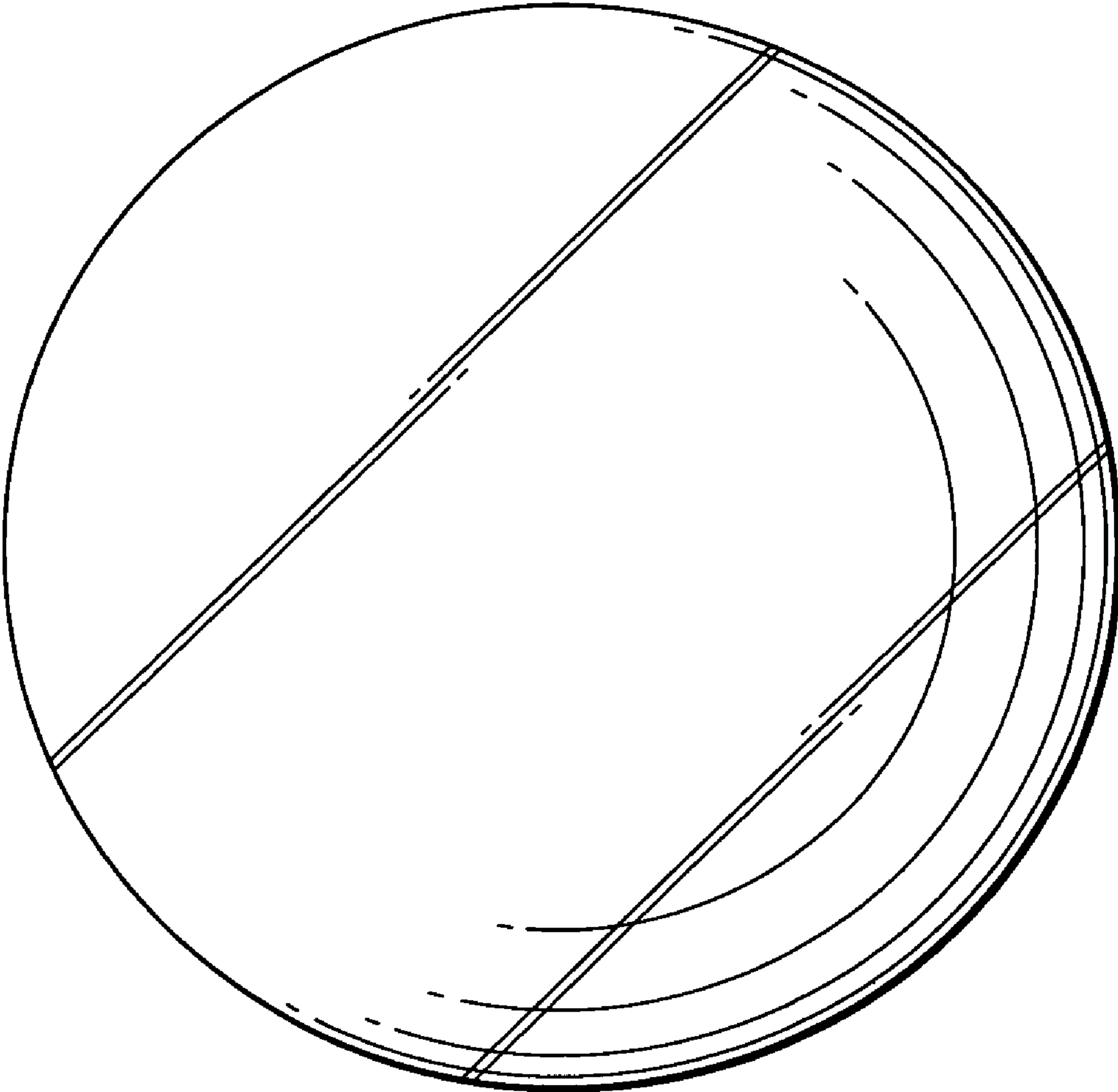


FIG. 4



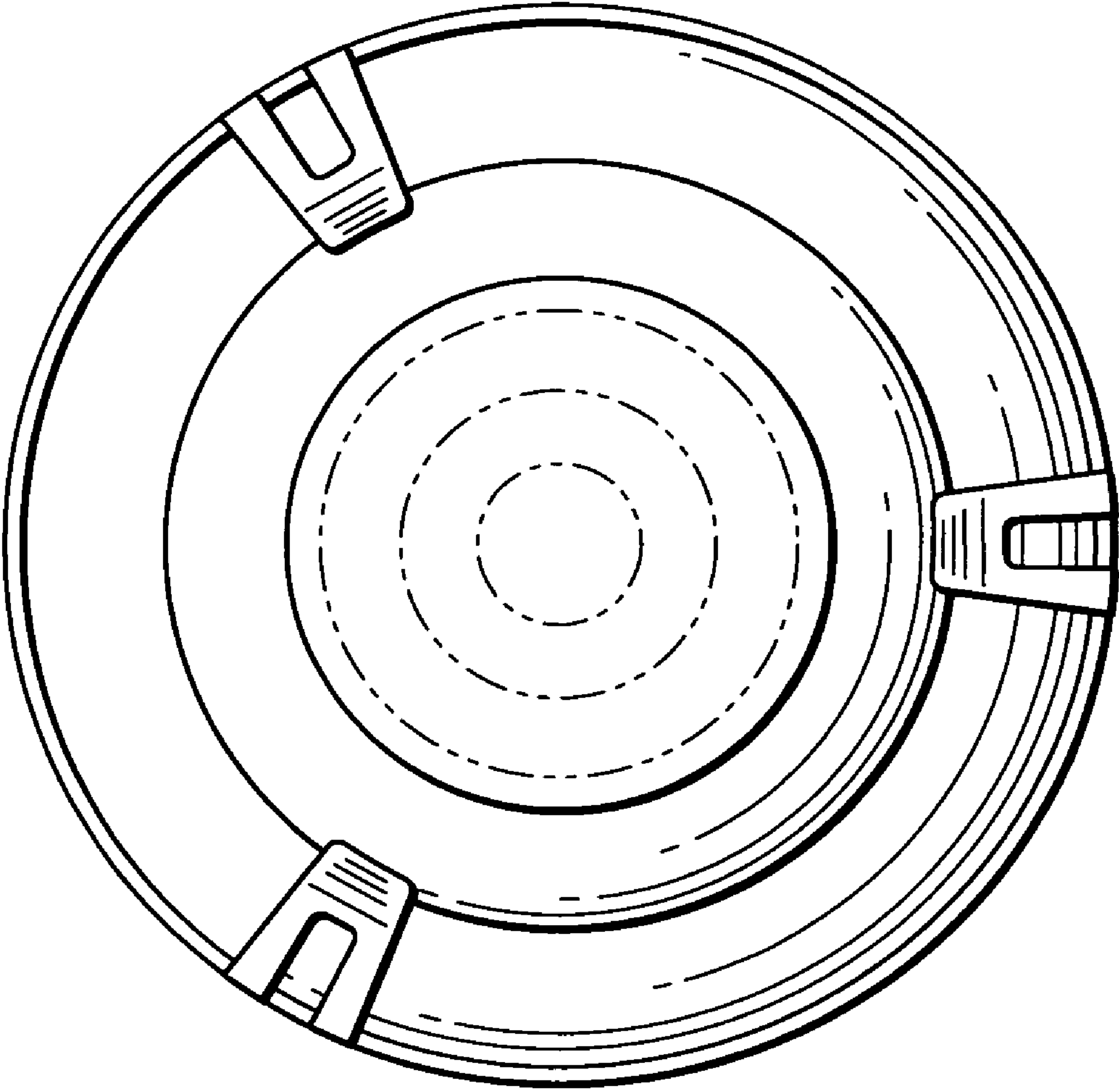


FIG. 5

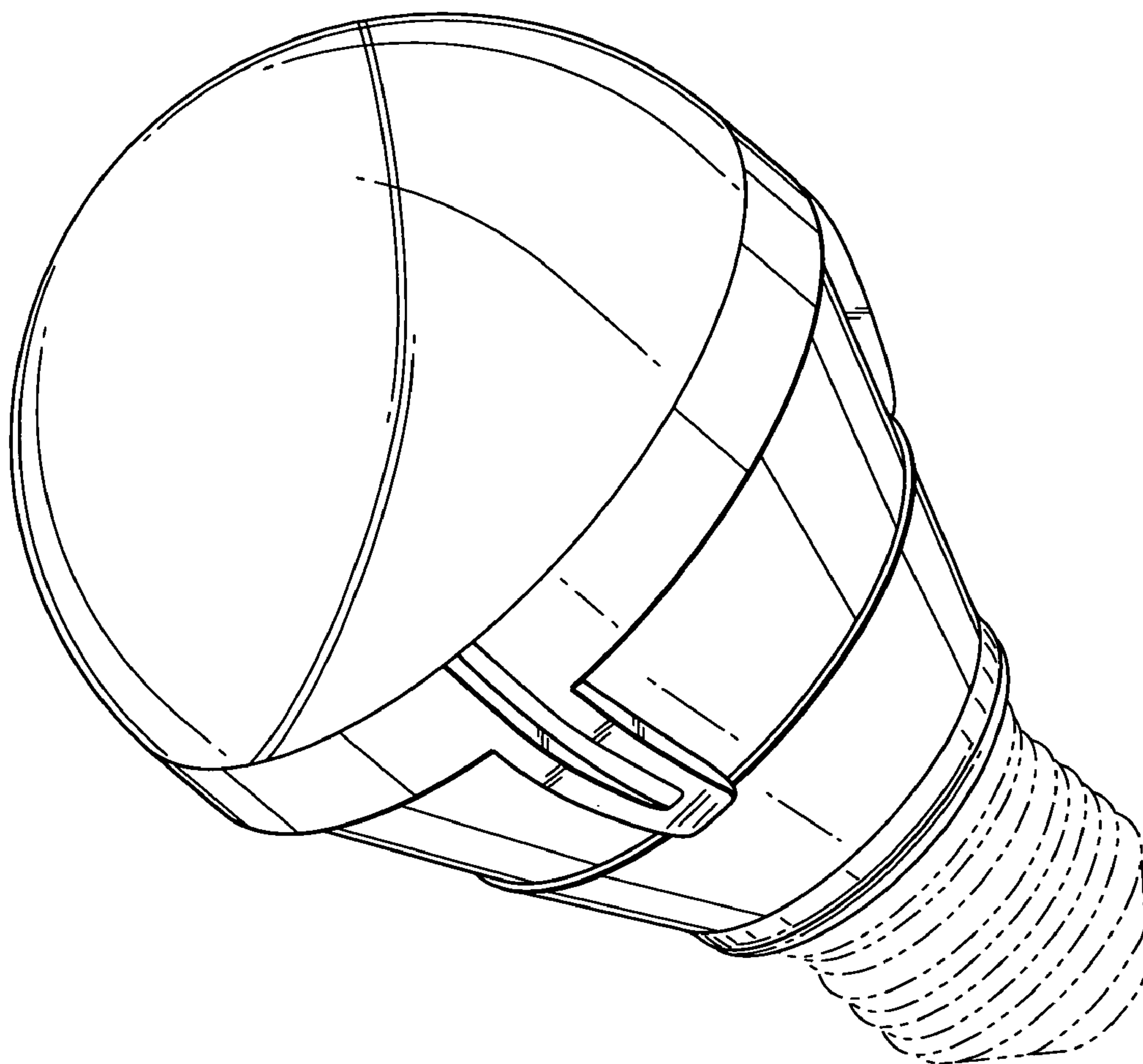


FIG. 6

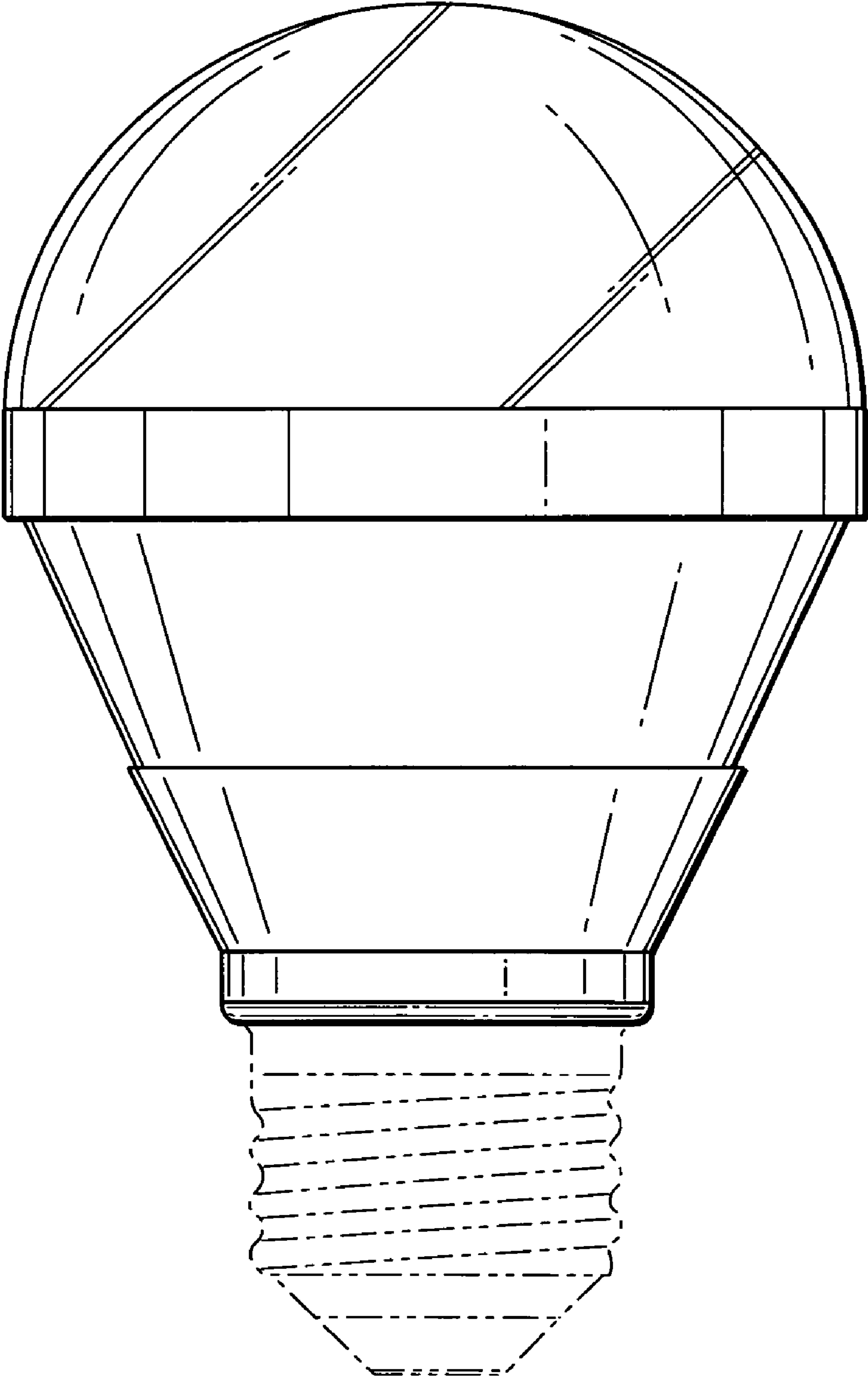


FIG. 7



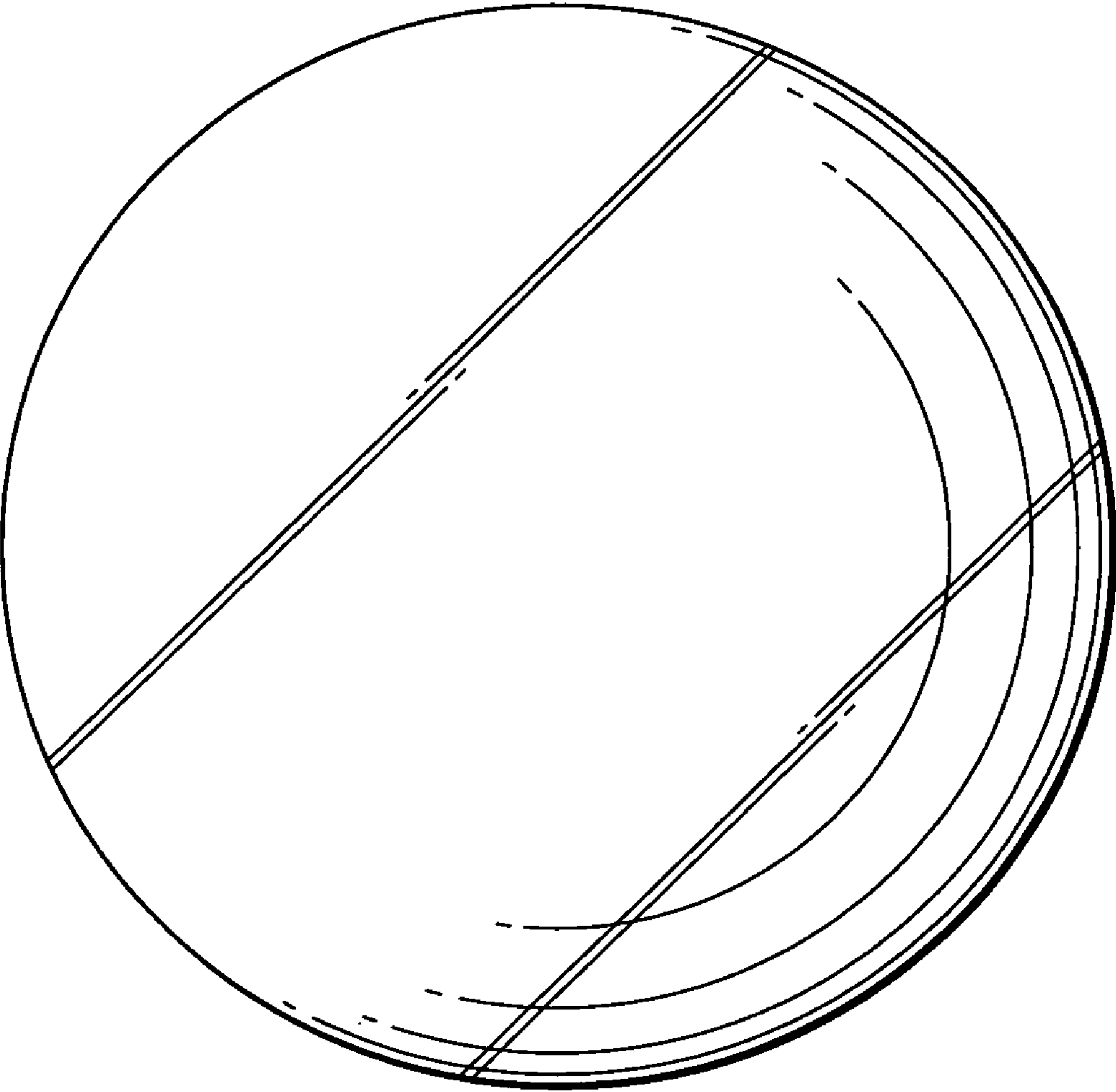


FIG. 8

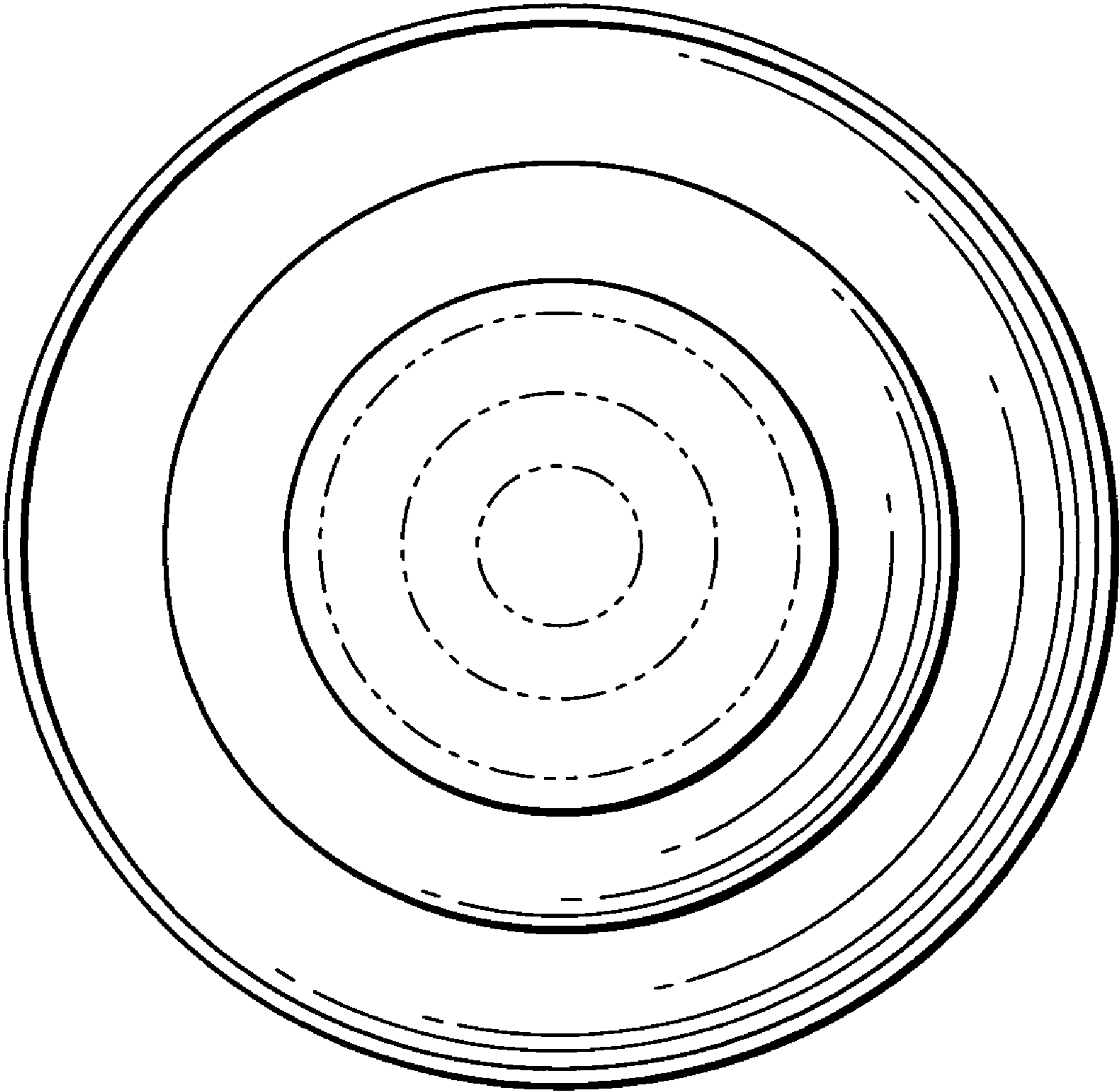


FIG. 9

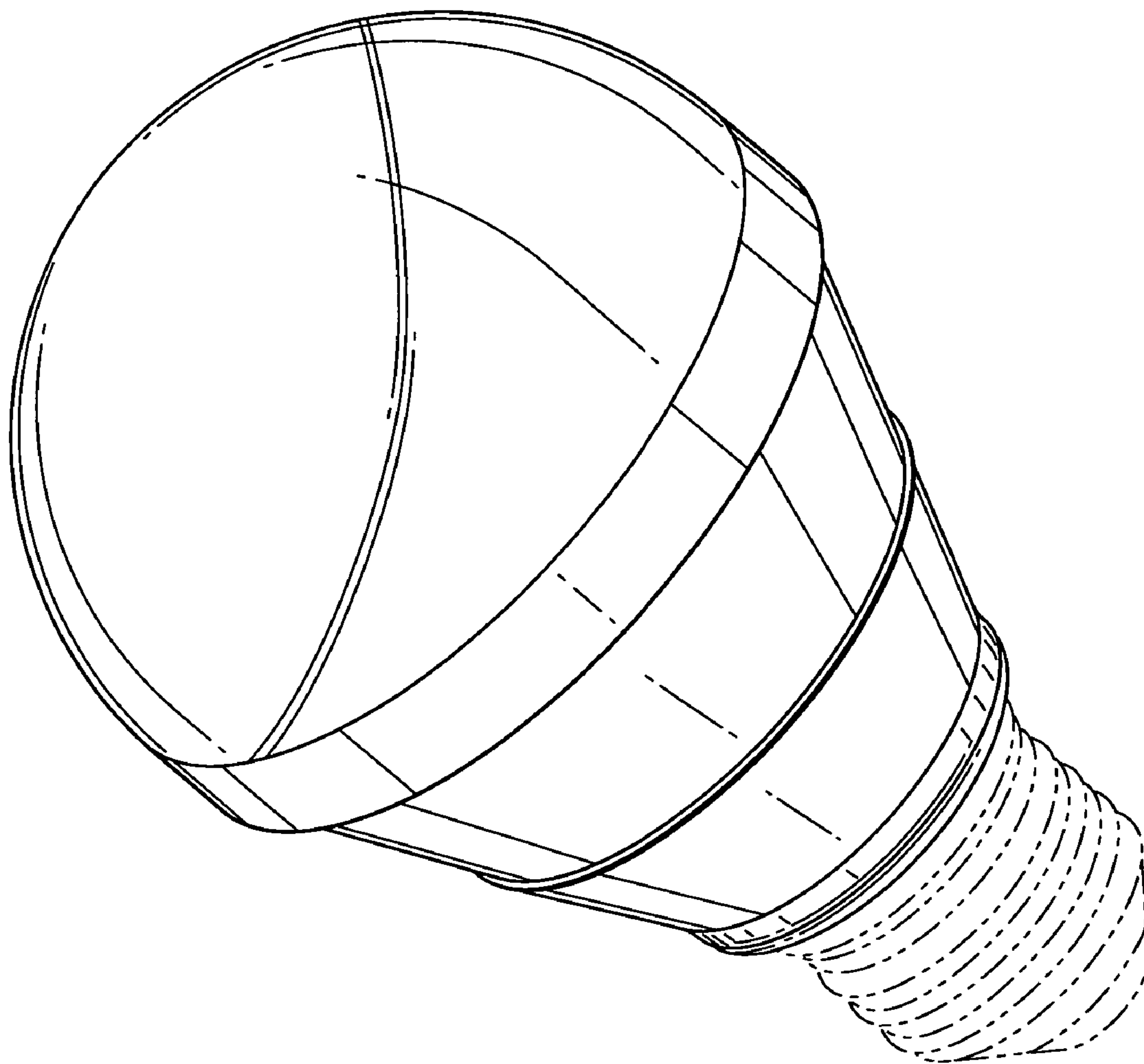


FIG. 10