



US00D657477S

(12) **United States Design Patent**  
**Tu**

(10) **Patent No.:** **US D657,477 S**

(45) **Date of Patent:** **\*\* Apr. 10, 2012**

(54) **LAMP**

(75) Inventor: **Kuo-Chiang Tu**, Taoyuan Hsien (TW)

(73) Assignee: **Delta Electronics, Inc.**, Kuei San,  
Taoyuan Hsien (TW)

(\*\*) Term: **14 Years**

(21) Appl. No.: **29/359,301**

(22) Filed: **Apr. 8, 2010**

(51) **LOC (9) Cl.** ..... **26-04**

(52) **U.S. Cl.** ..... **D26/2**

(58) **Field of Classification Search** ..... D26/1-4;  
313/313, 315, 316, 317, 318, 493; 315/52,  
315/53, 56, 57, 58

See application file for complete search history.

(56) **References Cited**

**U.S. PATENT DOCUMENTS**

D560,286 S \* 1/2008 Maxik et al. .... D26/2  
D566,300 S \* 4/2008 Lo ..... D26/2

D570,504 S \* 6/2008 Maxik et al. .... D26/2  
D582,578 S \* 12/2008 Tsai et al. .... D26/2  
D599,041 S \* 8/2009 Yoo ..... D26/2

\* cited by examiner

*Primary Examiner* — Marcus Jackson

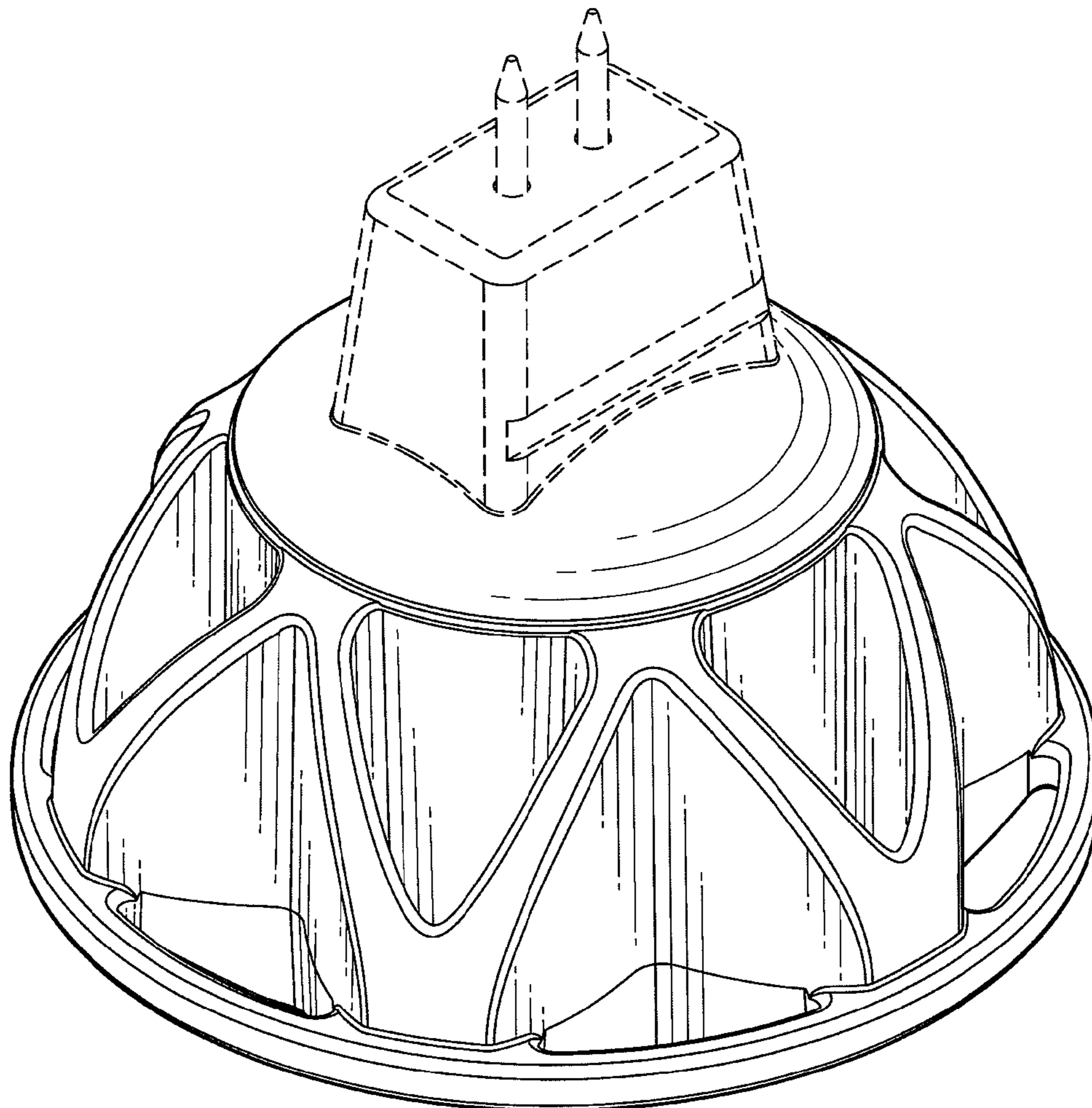
(57) **CLAIM**

The ornamental design for lamp, as shown and described.

**DESCRIPTION**

FIG. 1 is a perspective view of the first embodiment;  
FIG. 2 is a front view of the first embodiment;  
FIG. 3 is a rear view of the first embodiment;  
FIG. 4 is a left side view of the first embodiment;  
FIG. 5 is a right side view of the first embodiment;  
FIG. 6 is a top plan view of the first embodiment;  
FIG. 7 is a bottom plan view of the first embodiment; and,  
FIG. 8 is another perspective view of the first embodiment.

**1 Claim, 8 Drawing Sheets**



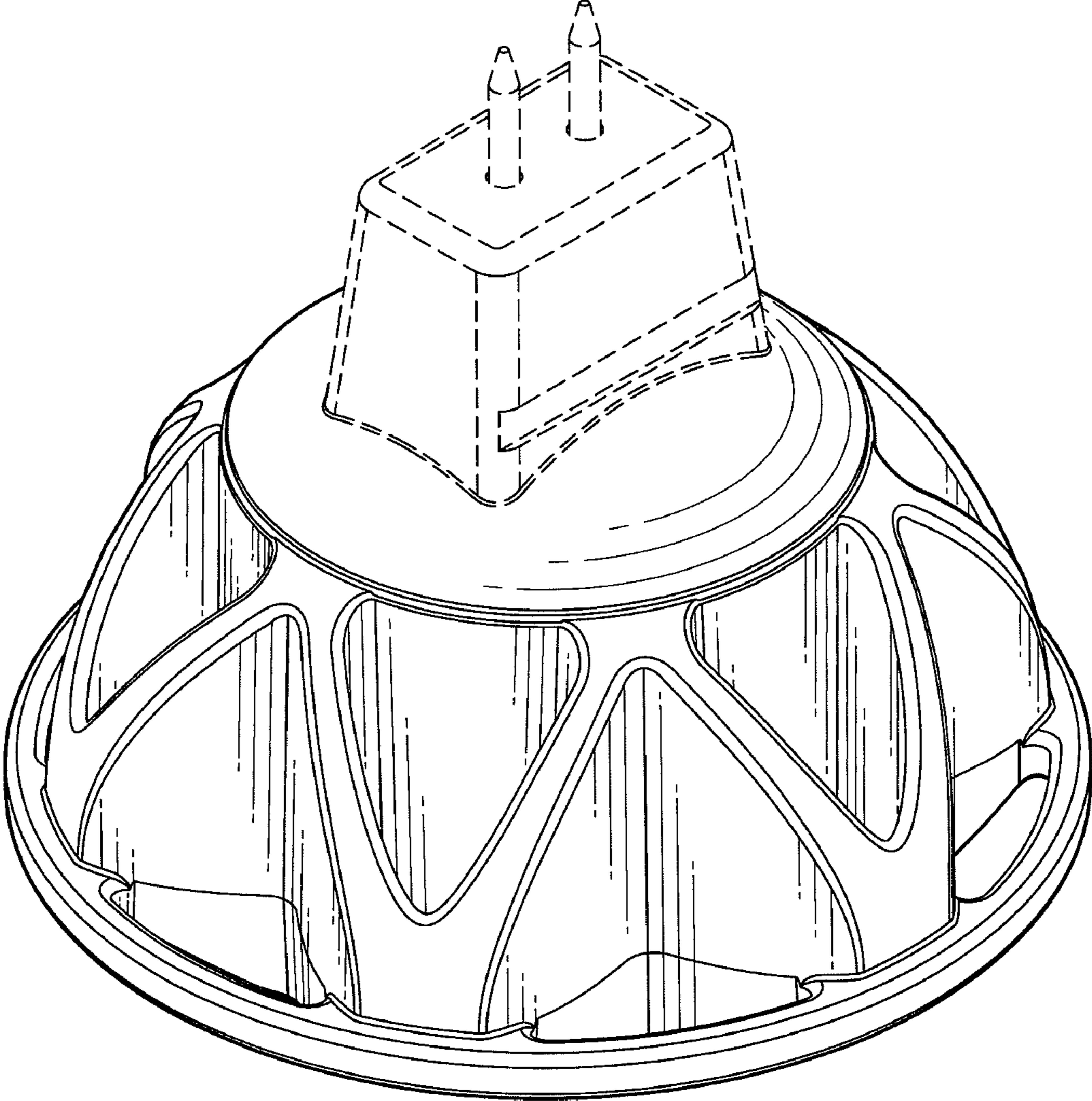


FIG. 1

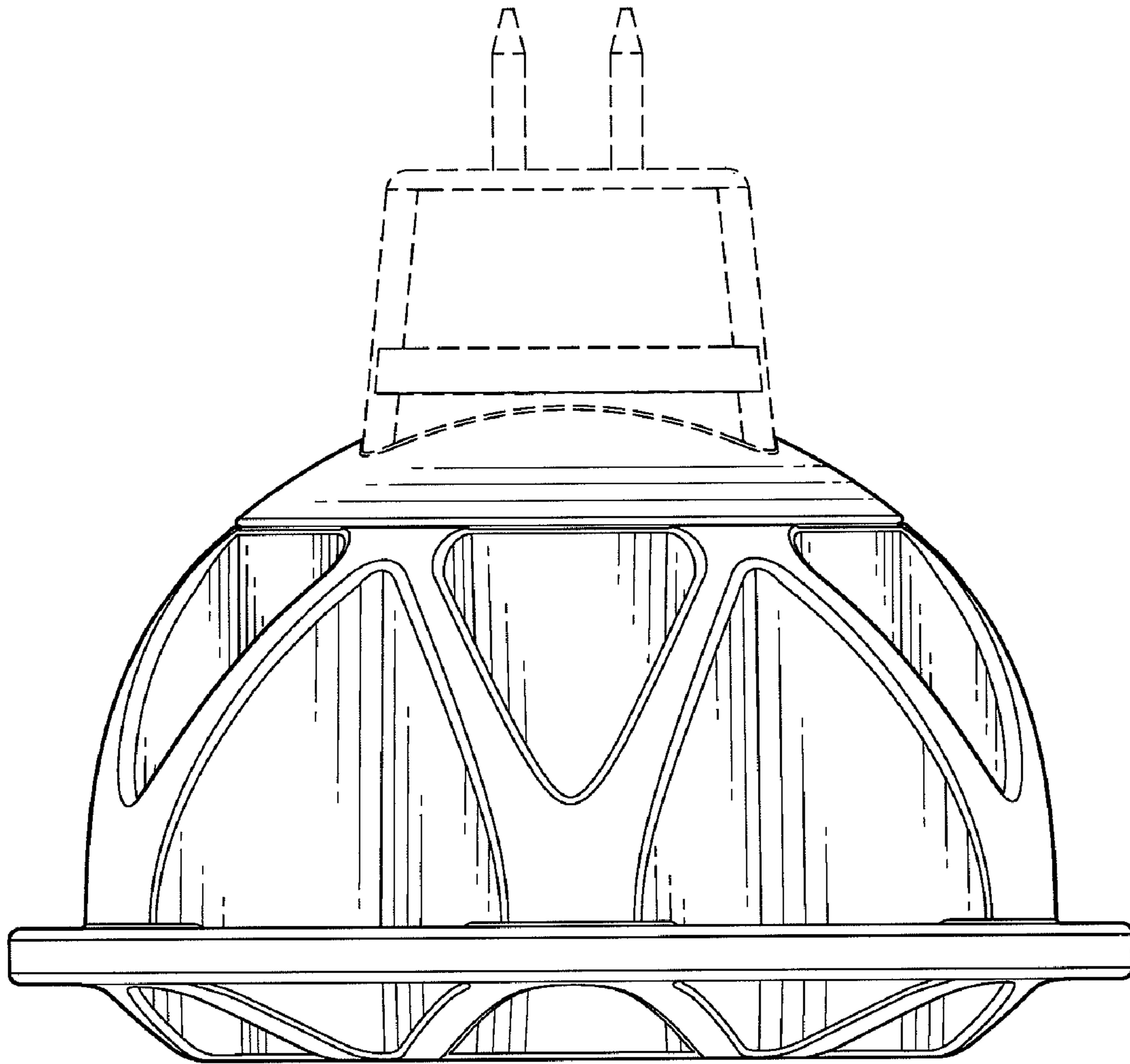


FIG. 2

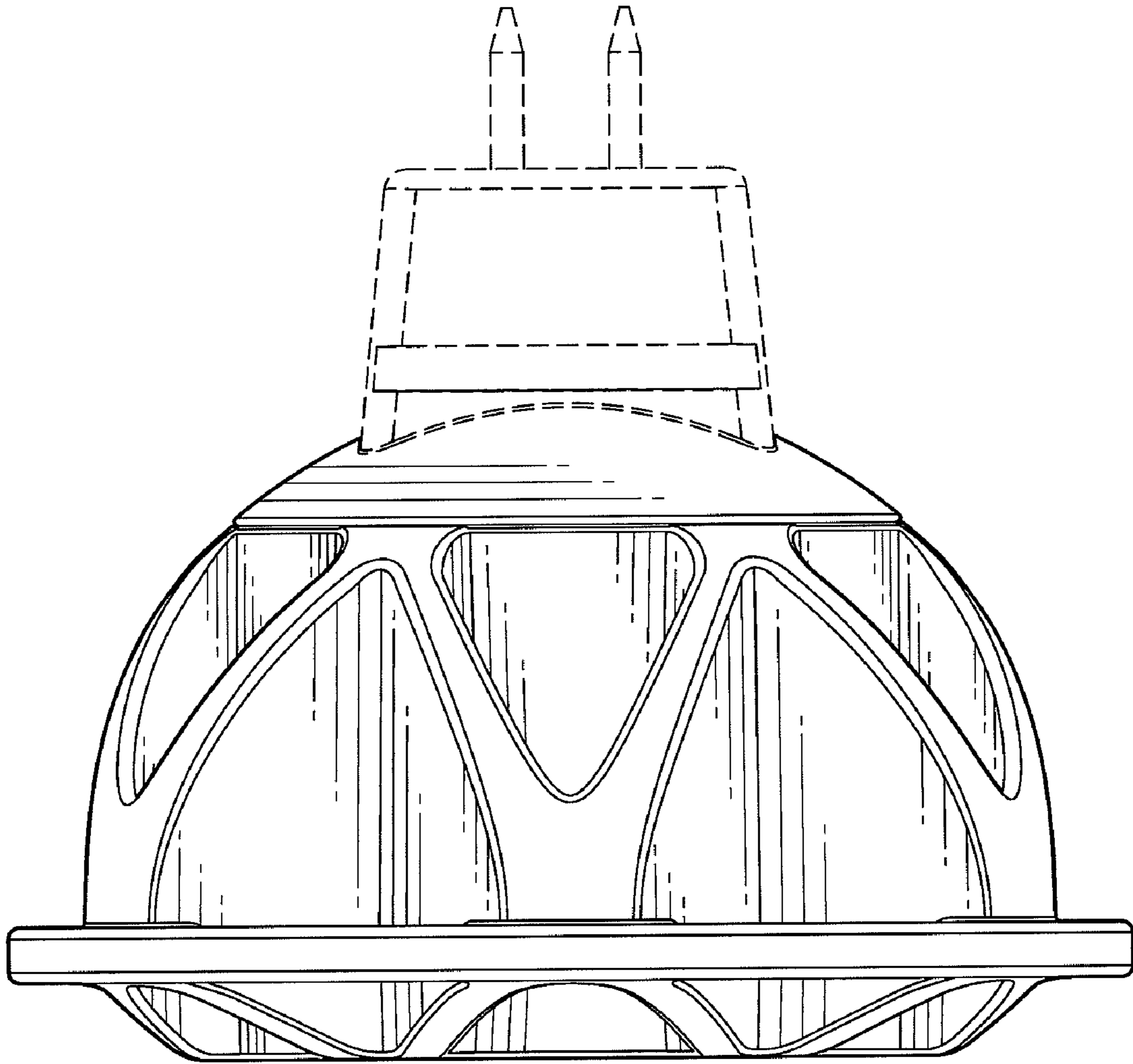


FIG. 3

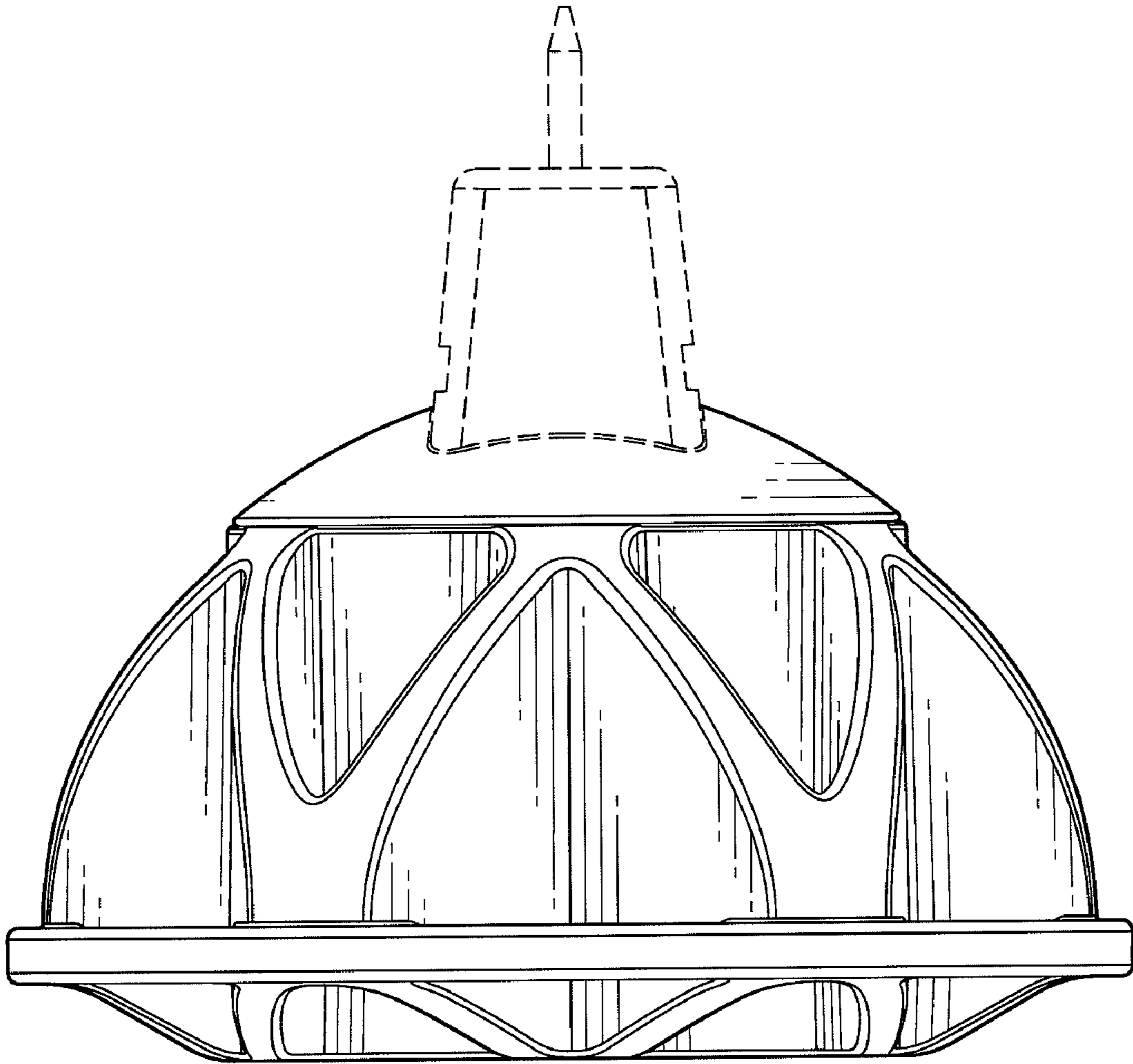


FIG. 4

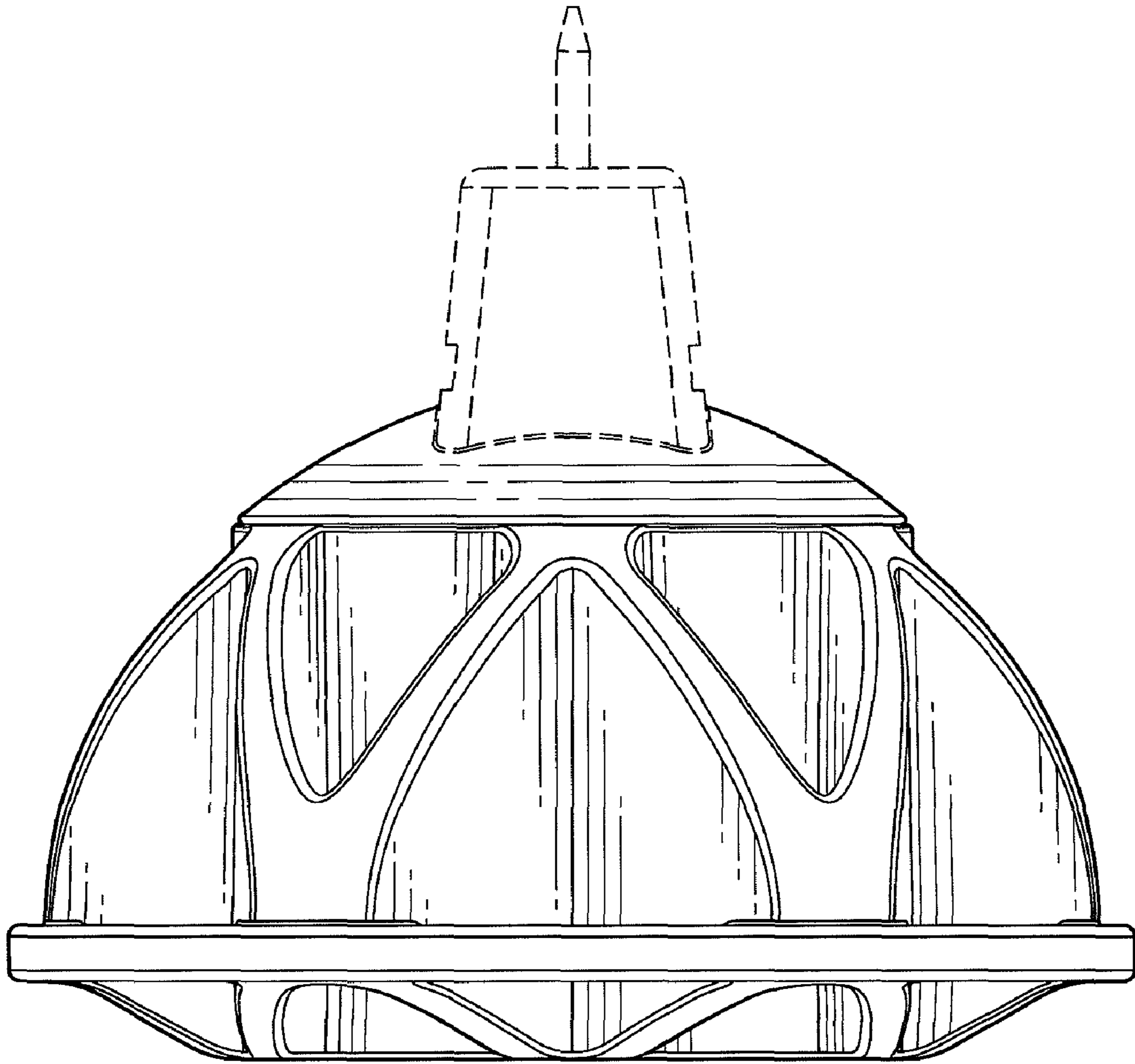


FIG. 5

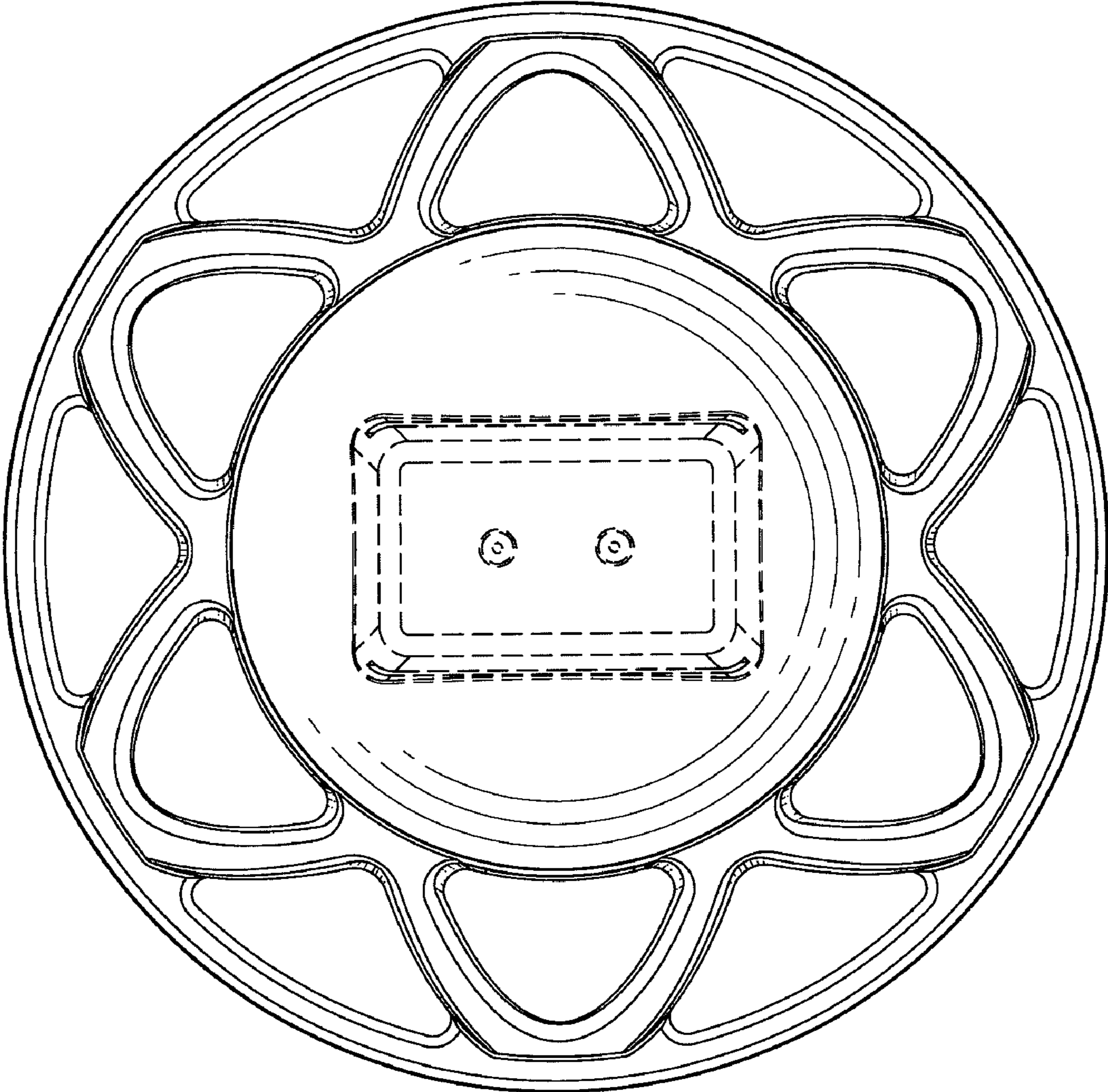


FIG. 6

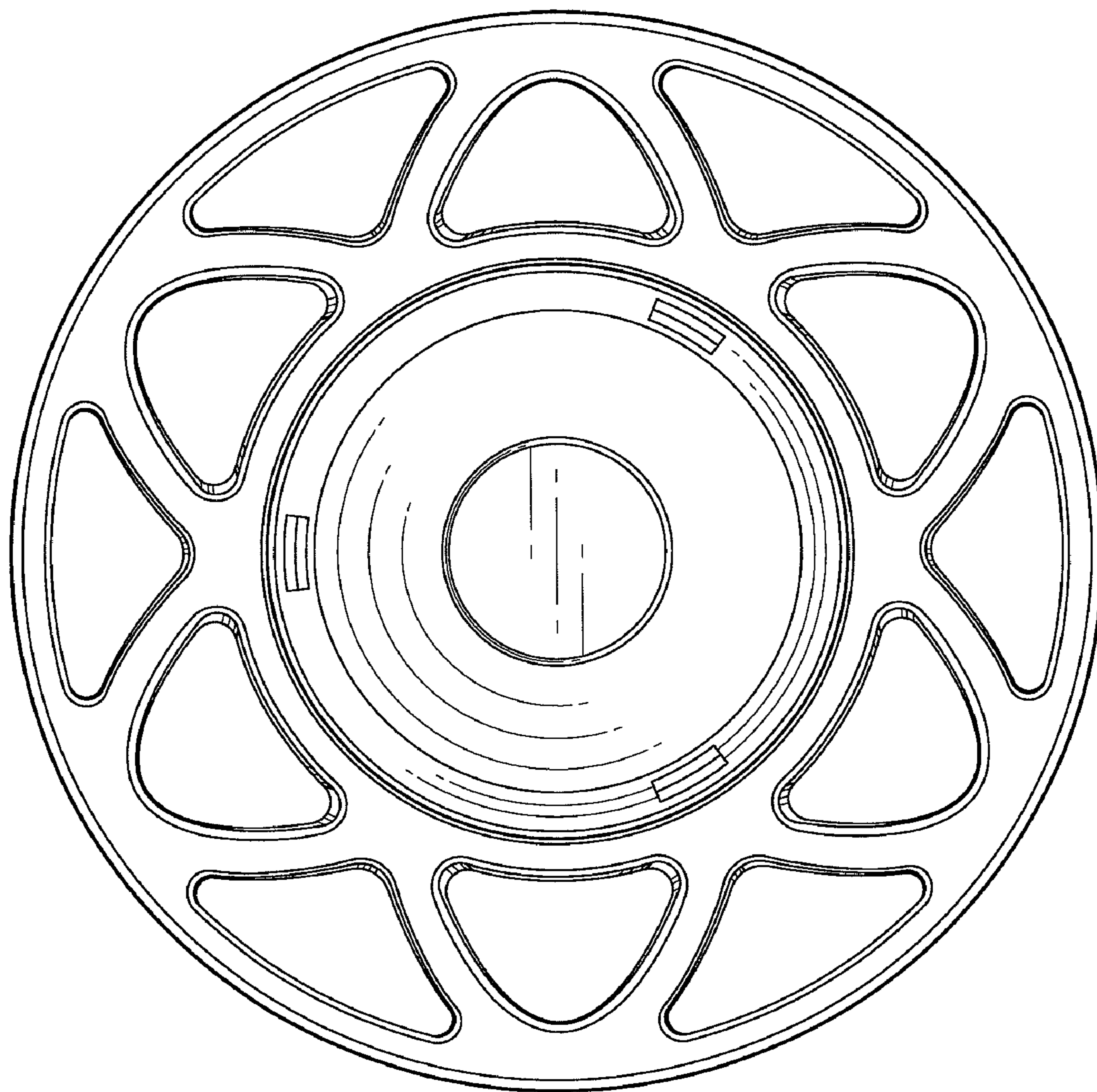


FIG. 7



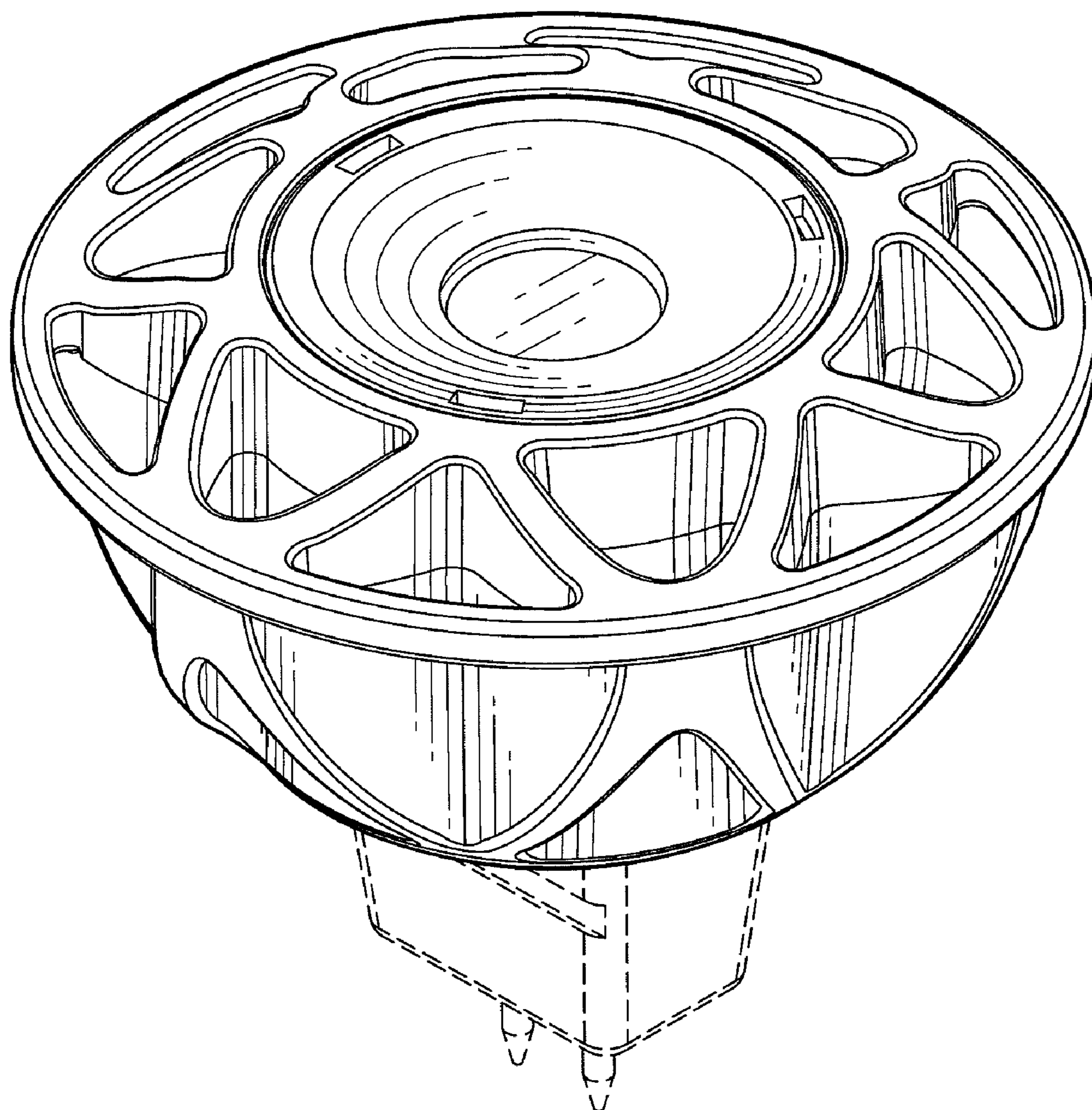


FIG. 8