



US00D657475S

(12) **United States Design Patent**
Dalo

(10) **Patent No.:** **US D657,475 S**
(45) **Date of Patent:** **** Apr. 10, 2012**

(54) **MODULAR SHELTER**

(76) Inventor: **Catherine Dalo**, Saint Martin de Nigelles (FR)

(**) Term: **14 Years**

(21) Appl. No.: **29/380,658**

(22) Filed: **Dec. 9, 2010**

(30) **Foreign Application Priority Data**

Oct. 27, 2010 (EM) 001773813-0001

(51) **LOC (9) Cl.** **25-01**

(52) **U.S. Cl.** **D25/31**

(58) **Field of Classification Search** D25/1-35;
52/2.17, 2.25, 86, 64, 66, 67, 71, 72, 80,
52/82; 174/379; D3/5; 135/15.1, 16-19,
135/20.1, 25.1-25.4, 29-31, 33.2-33.4, 33.41,
135/98-99; D21/836-839

See application file for complete search history.

(56) **References Cited**

U.S. PATENT DOCUMENTS

D88,956 S	1/1933	Gerhardt	
2,577,317 A *	12/1951	Eschrich	52/73
3,252,469 A *	5/1966	Peake	135/25.31
D206,868 S *	2/1967	Noyes	D25/56
D220,686 S	5/1971	Stineman	
D222,638 S	11/1971	Frakes	
D222,989 S *	2/1972	Merrill	D25/18
D223,440 S *	4/1972	Noyes	D25/56
D223,442 S	4/1972	Nielsen	
D224,831 S	9/1972	Bigoney	
3,744,191 A	7/1973	Bird	
3,751,862 A	8/1973	Linecker	
3,762,109 A *	10/1973	Cohen	52/11
D230,396 S	2/1974	van der Lely	
3,815,298 A	6/1974	Pope	
3,827,200 A	8/1974	Preissler	
3,848,387 A	11/1974	Hafner	
3,921,354 A	11/1975	Connelly et al.	
D239,666 S *	4/1976	Medlin	D3/5

3,973,365 A	8/1976	Boot et al.	
D246,192 S	10/1977	Albright	
4,106,520 A	8/1978	Warner et al.	
D254,448 S *	3/1980	Dattner	D25/18
D256,530 S *	8/1980	Johnson	D6/455
D280,343 S *	8/1985	Schultz	D25/56
4,612,741 A	9/1986	Jacobson	
D396,018 S *	7/1998	Stover et al.	D11/118
D398,443 S *	9/1998	Bolle	D3/5
5,860,258 A	1/1999	Faith et al.	
6,220,261 B1 *	4/2001	Glatz	135/20.3
D490,906 S	6/2004	Small	
D497,479 S *	10/2004	Yu	D3/5
6,988,504 B1 *	1/2006	Goldwitz	135/20.1
D546,551 S *	7/2007	de Oliveira Santos	D3/5

(Continued)

OTHER PUBLICATIONS

Ex Parte Quayle Office Action issued by the United States Patent and Trademark Office dated Aug. 18, 2010, in U.S. Appl. No. 29/364,810, 7 pages.

(Continued)

Primary Examiner — T. Chase Nelson

Assistant Examiner — Eric Goodman

(74) *Attorney, Agent, or Firm* — Harness, Dickey & Pierce, P.L.C.

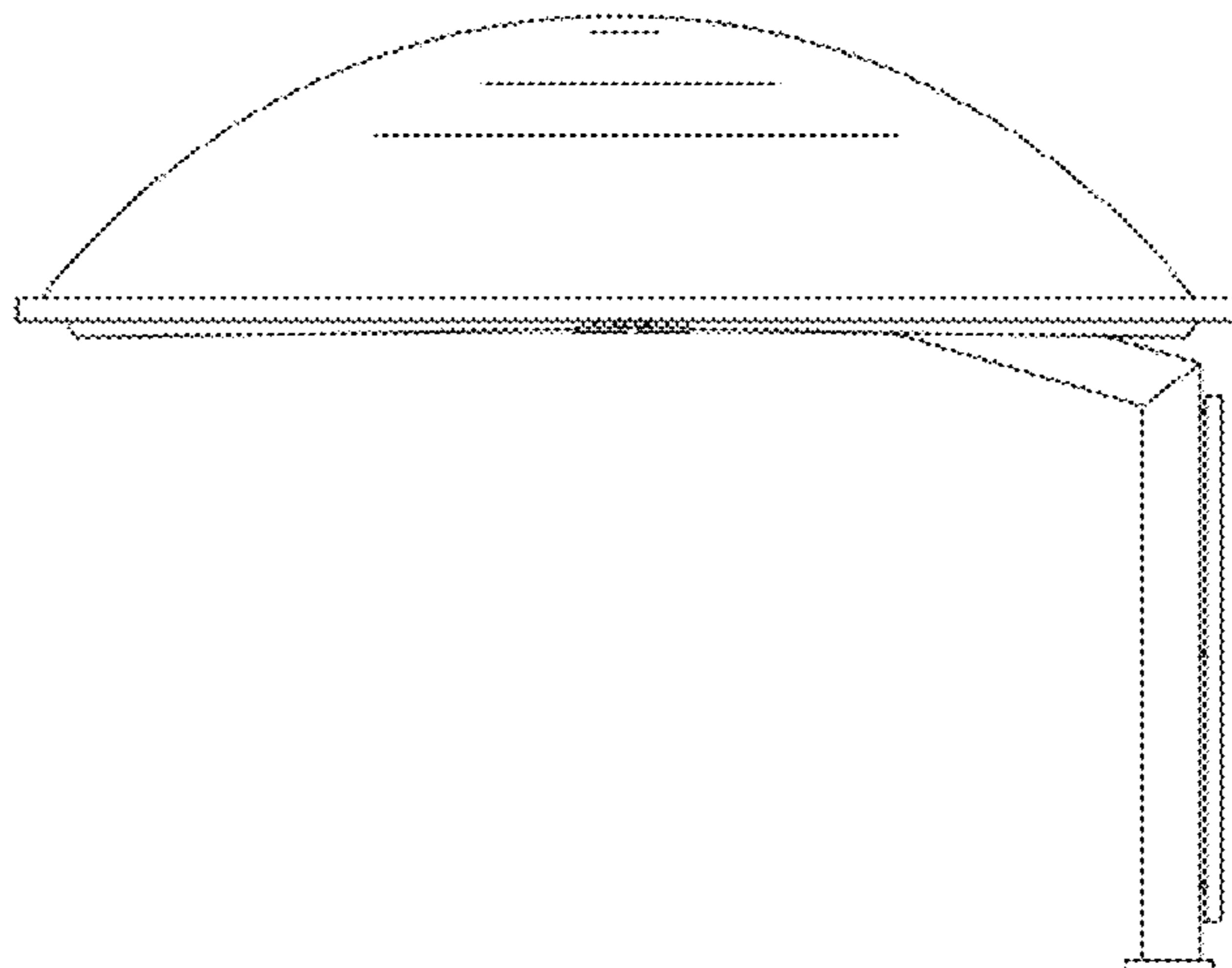
(57) **CLAIM**

The ornamental design for a modular shelter, as shown and described.

DESCRIPTION

FIG. 1 is an elevation view of a modular shelter, showing my new design;
FIG. 2 is a right side elevation view thereof;
FIG. 3 is a left side elevation view thereof;
FIG. 4 is a top plan view thereof; and,
FIG. 5 is a bottom plan view thereof.
The details shown in broken lines are for illustrative purposes only and form no part of the claimed design.

1 Claim, 5 Drawing Sheets



US D657,475 S

Page 2

U.S. PATENT DOCUMENTS

D591,867 S * 5/2009 Tung D25/18
D609,453 S * 2/2010 Liu D3/5
D621,600 S * 8/2010 He D3/5
D627,481 S 11/2010 Dalo
D627,482 S 11/2010 Dalo
D627,483 S 11/2010 Dalo
D629,603 S * 12/2010 Liu D3/5
D638,622 S * 5/2011 He D3/5
2010/0307548 A1* 12/2010 Cain et al. 135/20.1
2011/0030285 A1* 2/2011 Kaufman 52/82

OTHER PUBLICATIONS

Notice of Allowance issued by the United States Patent and Trade-
mark Office dated Mar. 7, 2011, in U.S. Appl. No. 29/364,810, 5
pages.

* cited by examiner

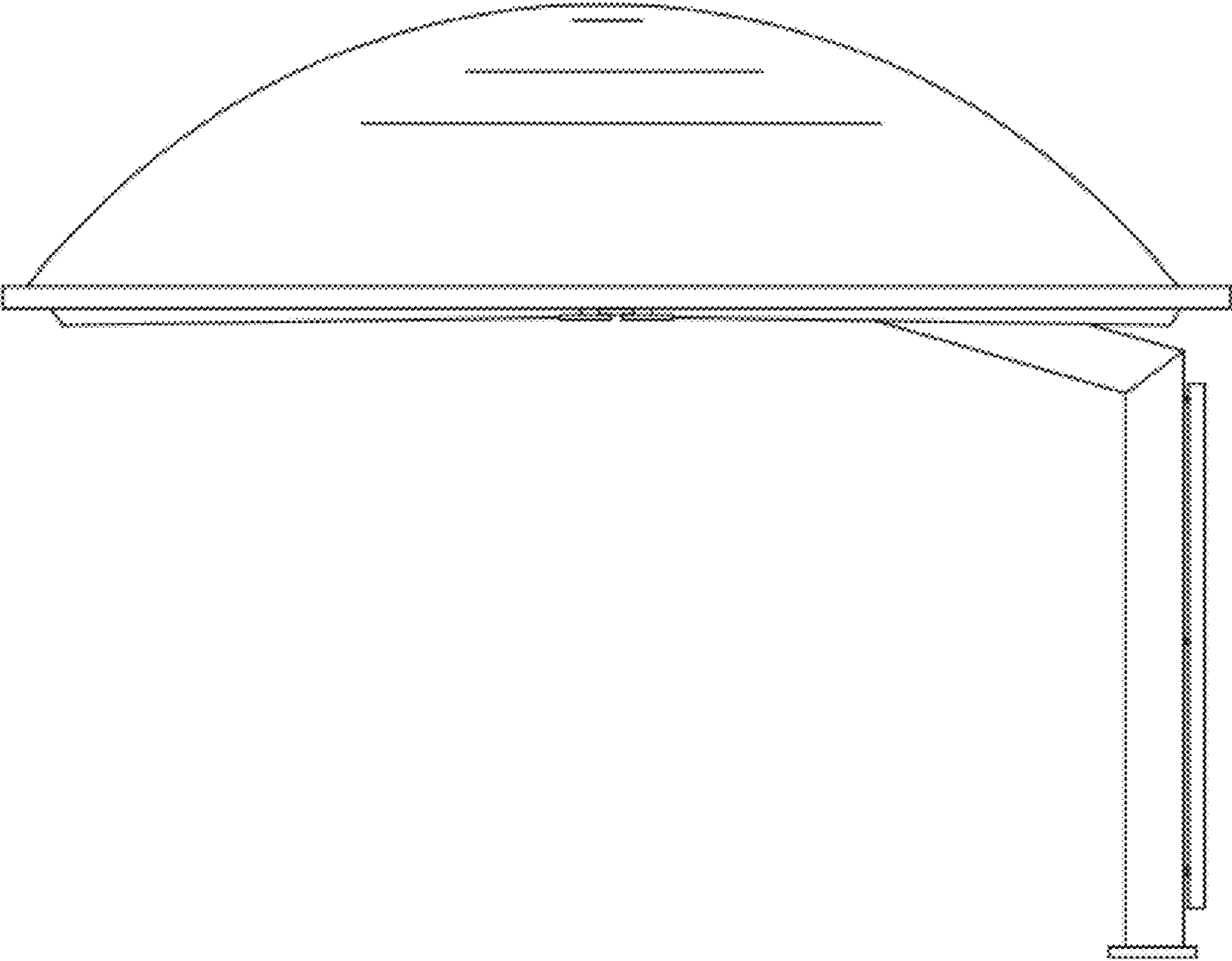


Fig. 1

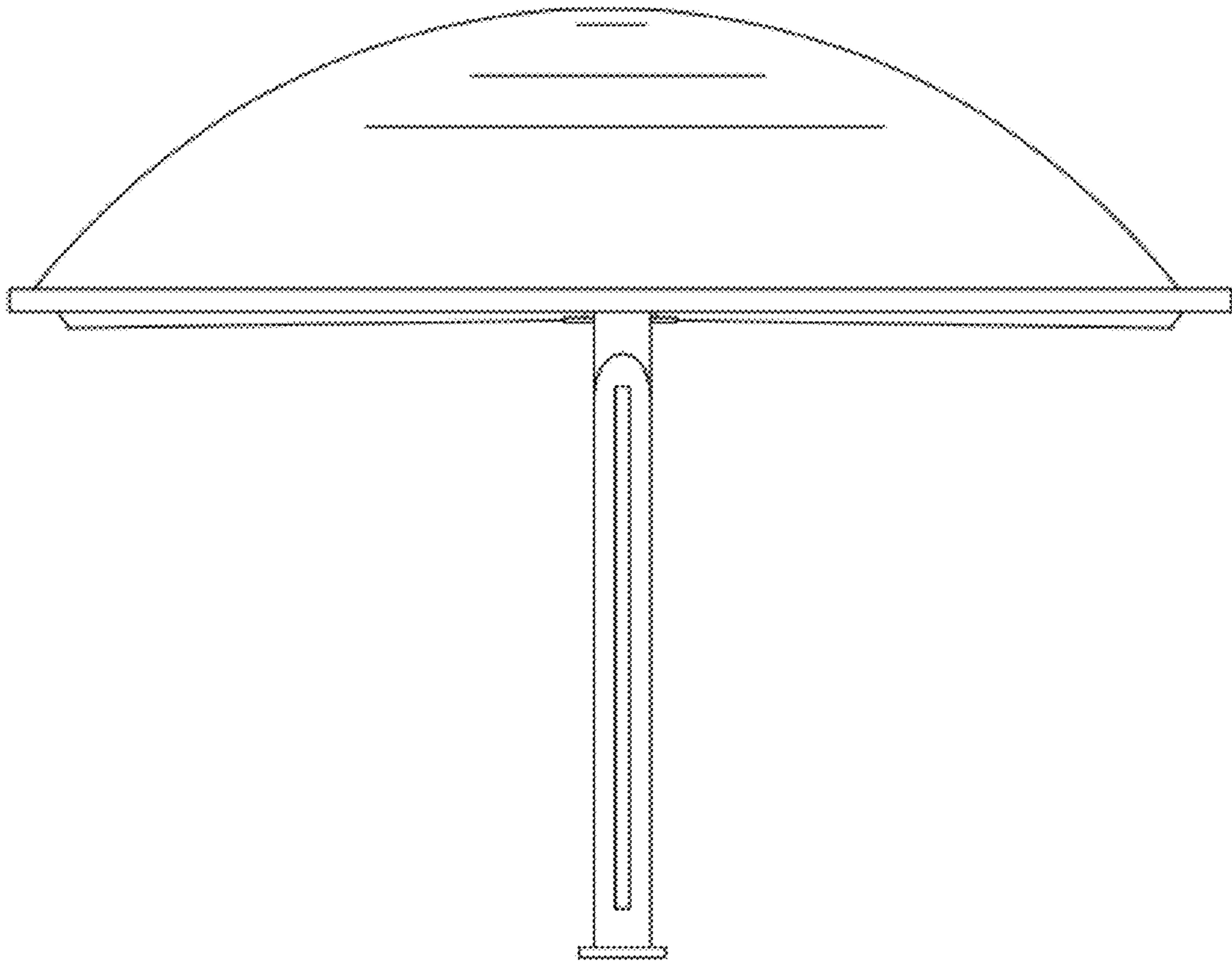


Fig. 2

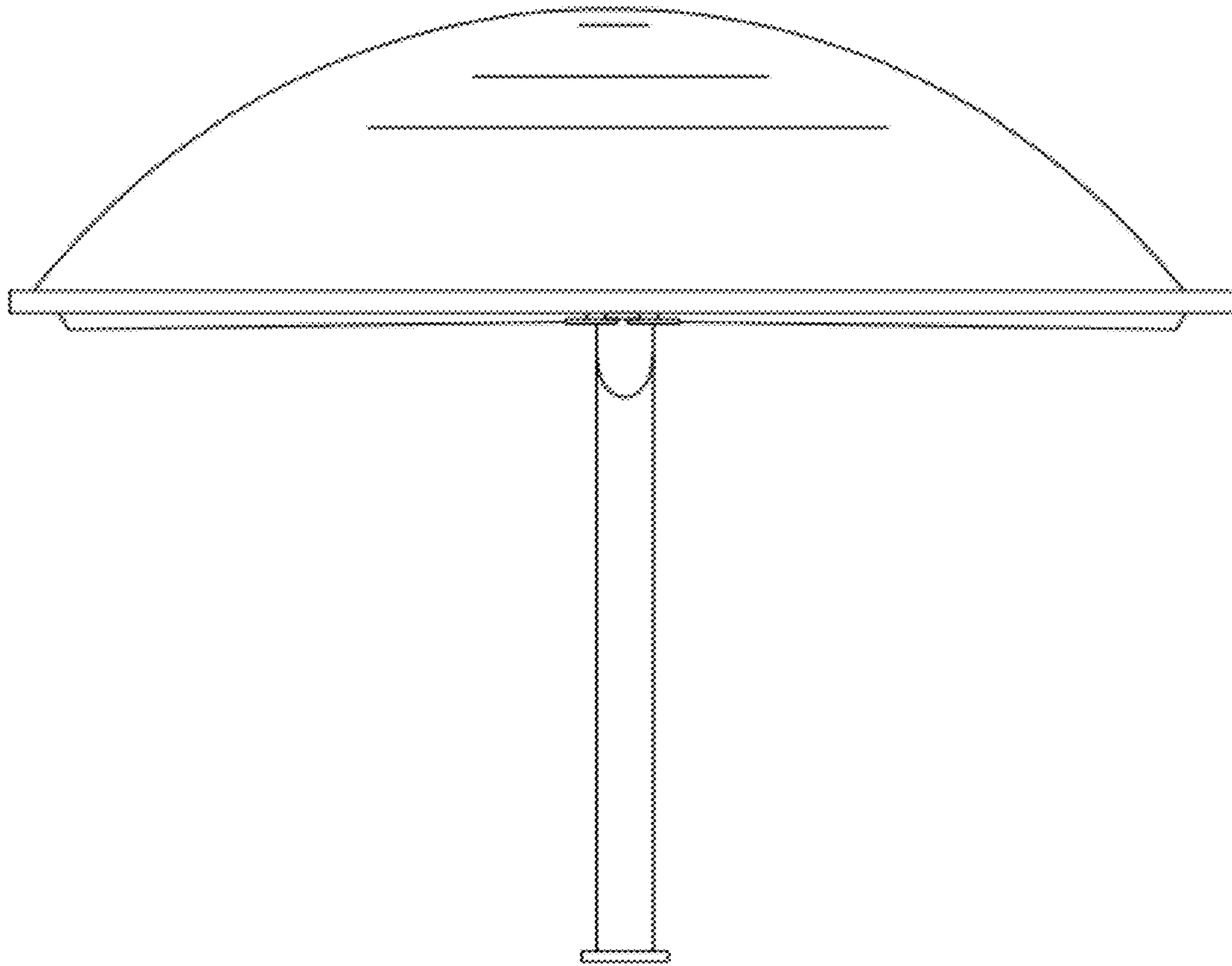


Fig. 3

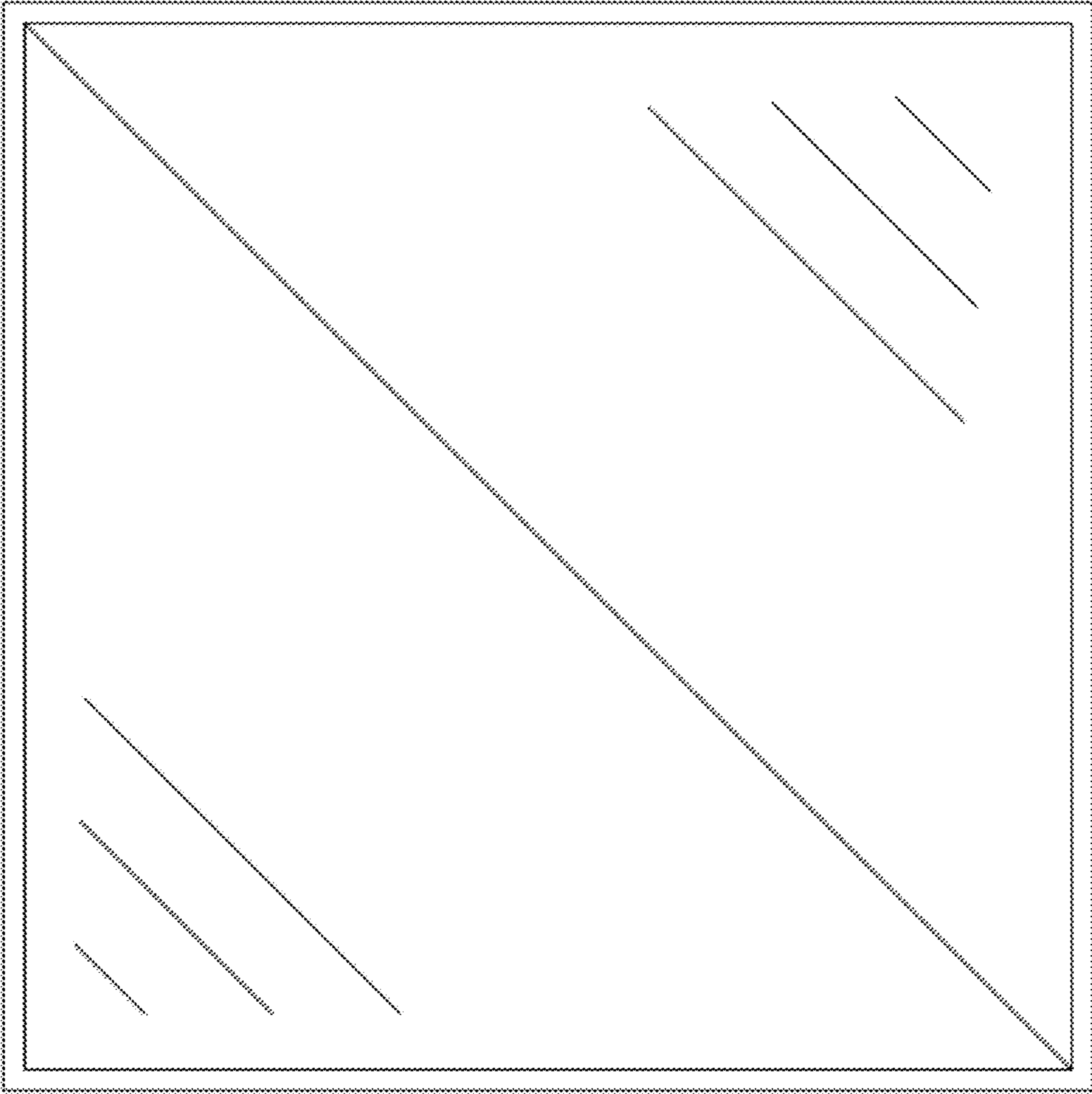


Fig. 4

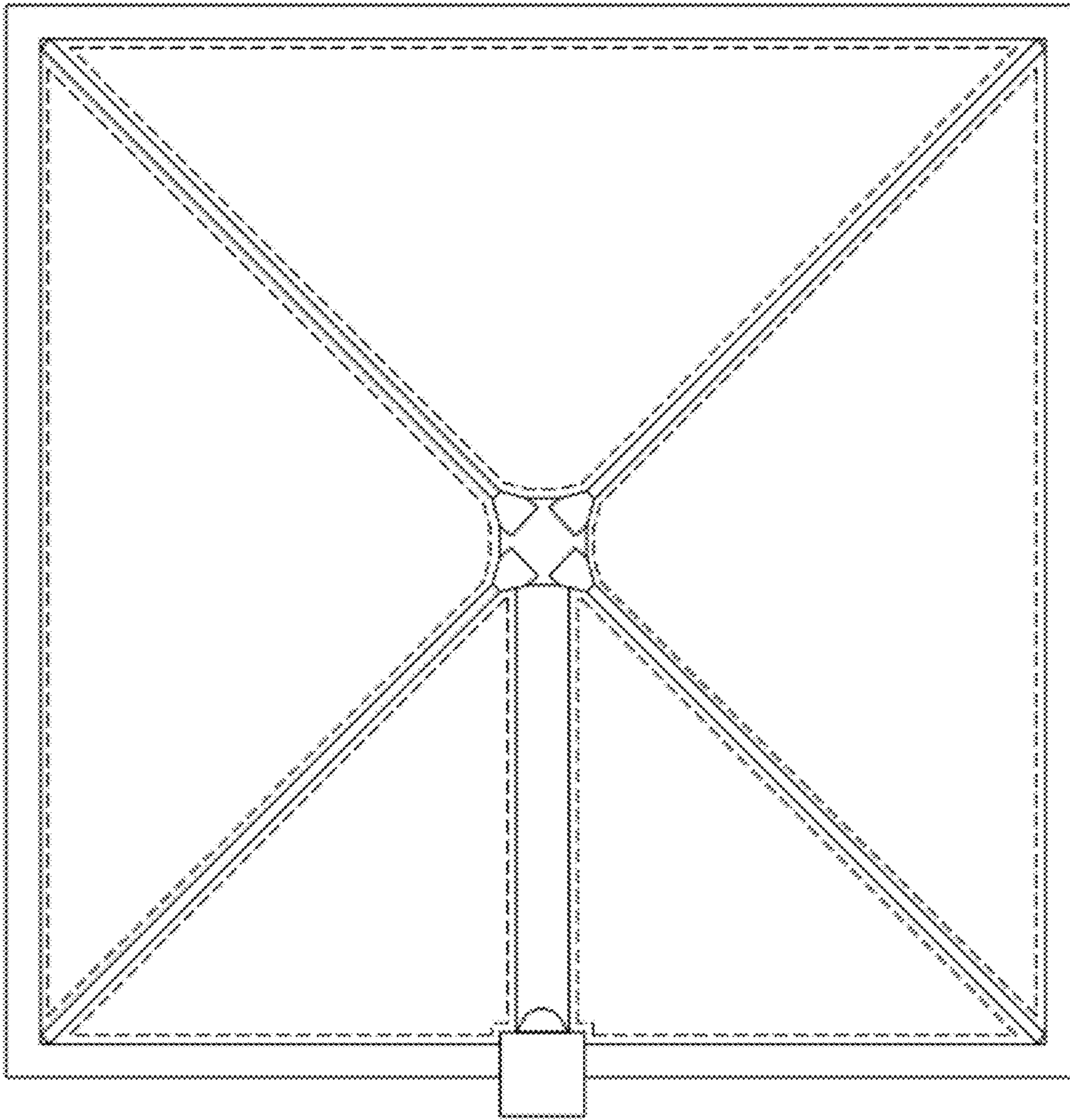


Fig. 5