



US00D657473S

(12) **United States Design Patent**
Miyashita et al.

(10) **Patent No.:** **US D657,473 S**
(45) **Date of Patent:** **** Apr. 10, 2012**

(54) **REAGENT CONTAINER**

(75) Inventors: **Noe Miyashita**, Tokyo (JP); **Koji Seo**, Tokyo (JP); **Matsuo Kamitani**, Tokyo (JP)

(73) Assignee: **Hitachi Plant Technologies, Ltd.**, Tokyo (JP)

(**) Term: **14 Years**

(21) Appl. No.: **29/347,859**

(22) Filed: **Jun. 25, 2010**

(30) **Foreign Application Priority Data**

Dec. 25, 2009 (JP) 2009-030115

(51) **LOC (9) Cl.** **24-01**

(52) **U.S. Cl.** **D24/224**

(58) **Field of Classification Search** D24/216–232, D24/186, 107, 108, 121; D3/201, 203.1, D3/203.2, 202; D10/81; D9/520, 544, 545, D9/546, 548, 549, 562, 570; 422/500, 547, 422/554, 556, 63; 356/246; 220/608, 669; 215/377, 382; 435/288.1, 288.2, 304.1, 304.2
See application file for complete search history.

(56) **References Cited**

U.S. PATENT DOCUMENTS

D226,846 S * 5/1973 Rosenberg D24/226
D285,118 S * 8/1986 Huang D24/226

D324,271 S * 2/1992 Frenkel et al. D24/226
D345,611 S * 3/1994 Long D24/226
D369,415 S * 4/1996 Boulton et al. D24/224
D452,740 S * 1/2002 Brennan et al. D24/226
D492,419 S * 6/2004 Farina D24/226
D544,610 S * 6/2007 Ouchi et al. D24/224
7,338,803 B2 * 3/2008 Mizzer et al. 436/45
D618,820 S * 6/2010 Wilson et al. D24/227
D624,194 S * 9/2010 Pack et al. D24/224

* cited by examiner

Primary Examiner — Anhdao Doan

(74) *Attorney, Agent, or Firm* — Stites & Harbison, PLLC; Juan Carlos A. Marquez, Esq.

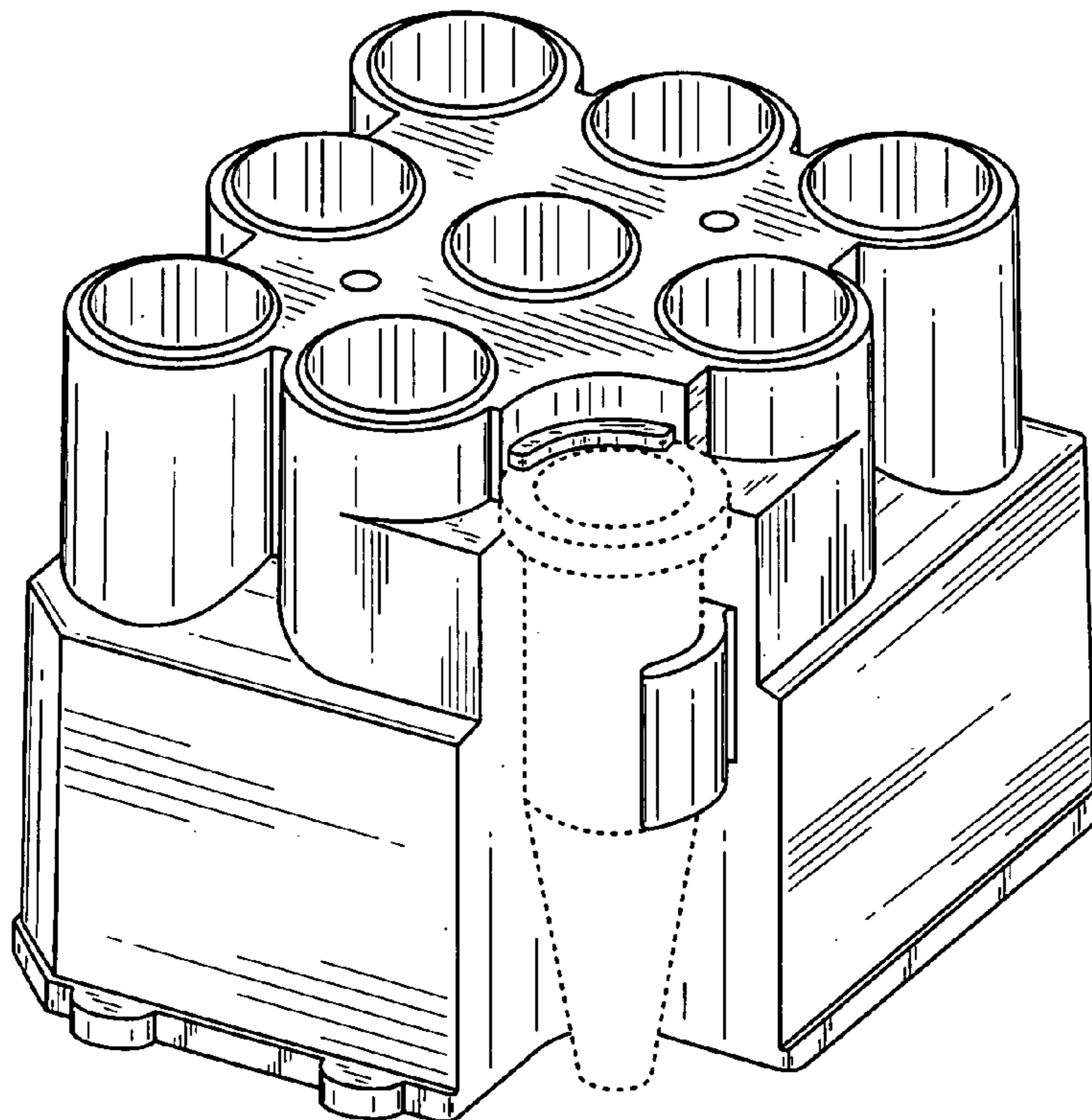
(57) **CLAIM**

The ornamental design for a reagent container, as shown and described.

DESCRIPTION

FIG. 1 is a front elevation view of a reagent container, FIG. 2 is a rear elevation view thereof, FIG. 3 is a top plan view thereof, FIG. 4 is a bottom plan view thereof, FIG. 5 is a left elevation view thereof, FIG. 6 is a right elevation view thereof; and, FIG. 7 is a front perspective view thereof. The broken line showing of the cartridge in FIG. 7 represents the environment. The broken lines in FIGS. 3 and 4 are included for the purpose of illustrating portions of the reagent container that form no part of the claimed design.

1 Claim, 4 Drawing Sheets



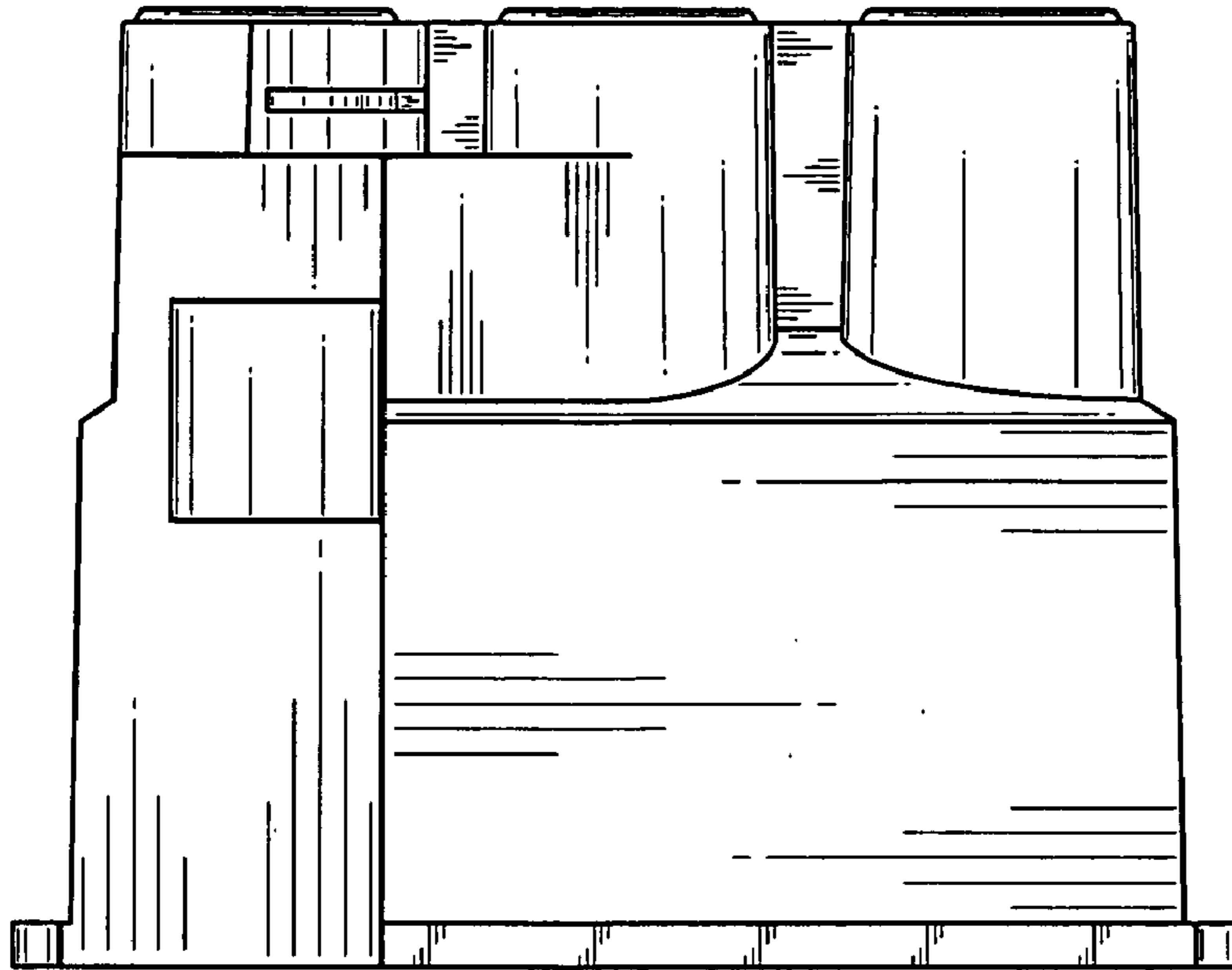


FIG. 1

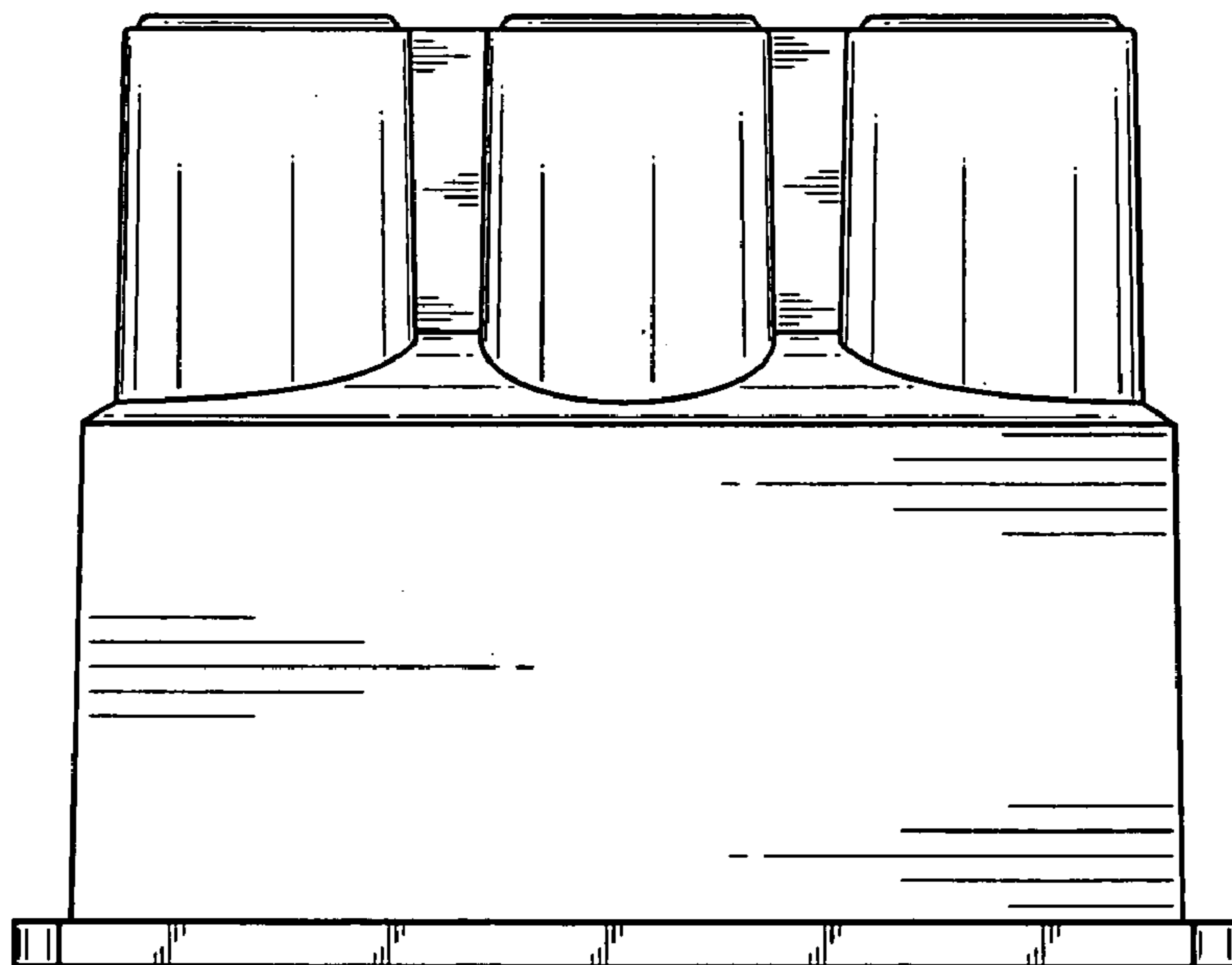


FIG. 2

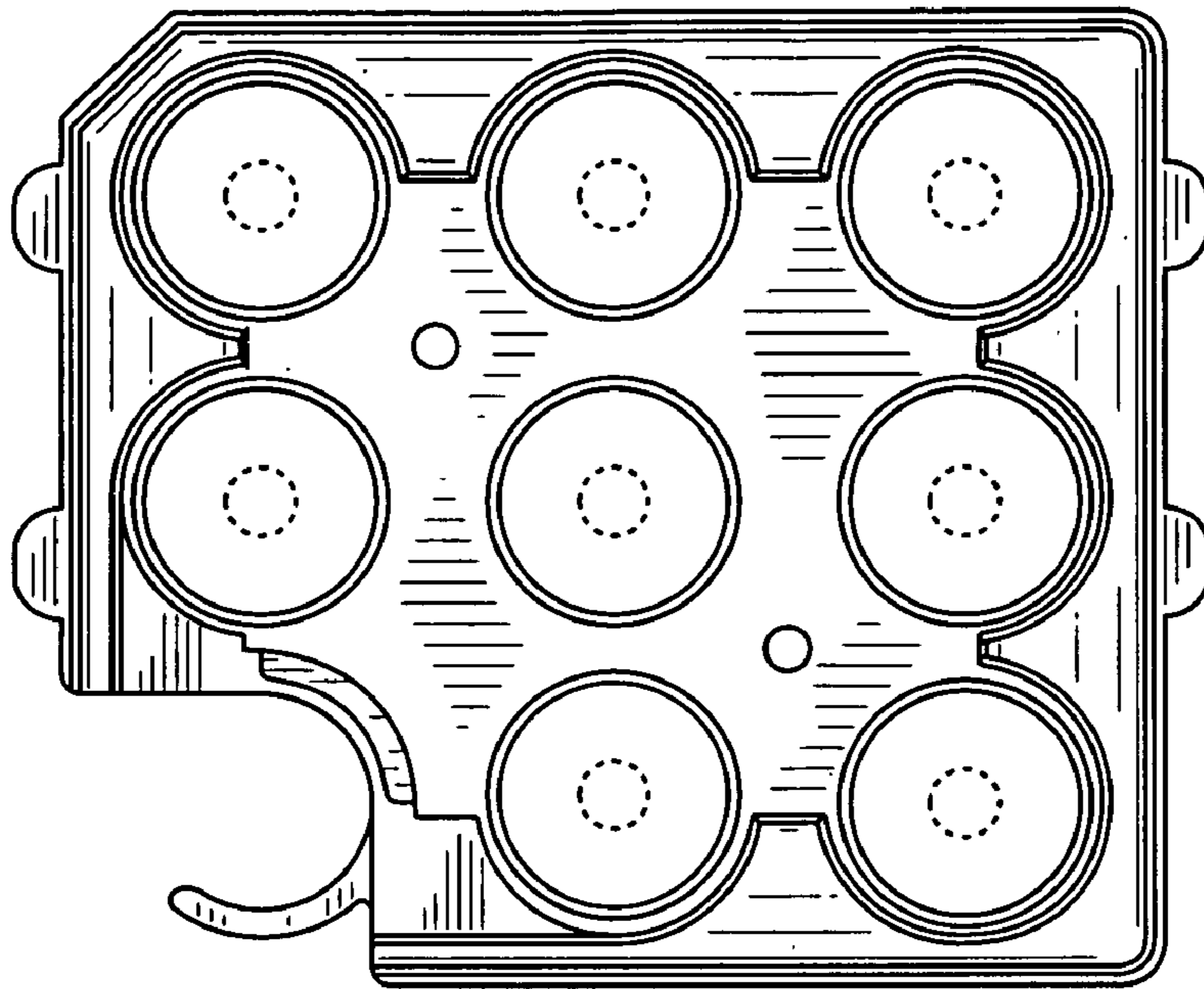


FIG. 3

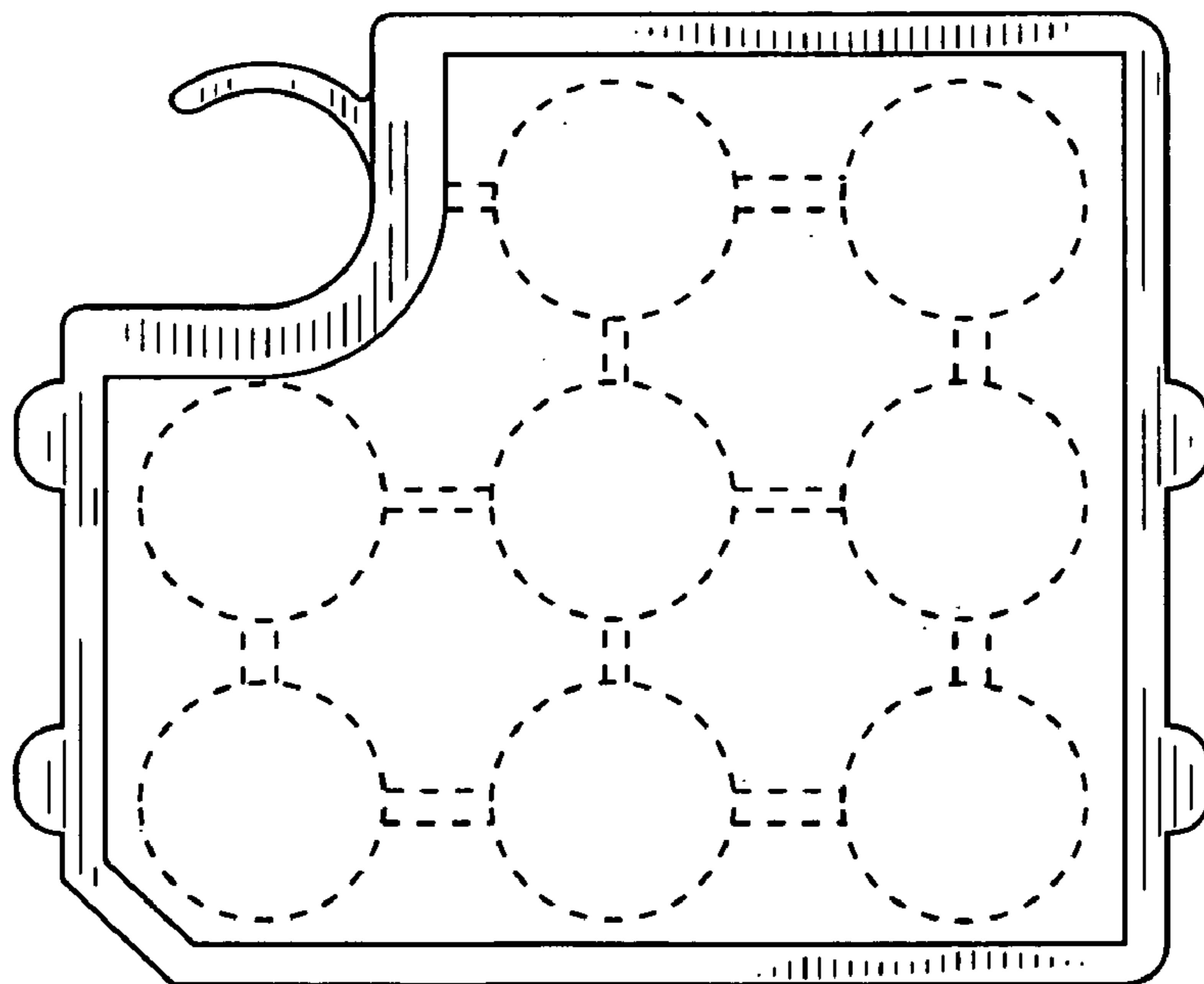


FIG. 4

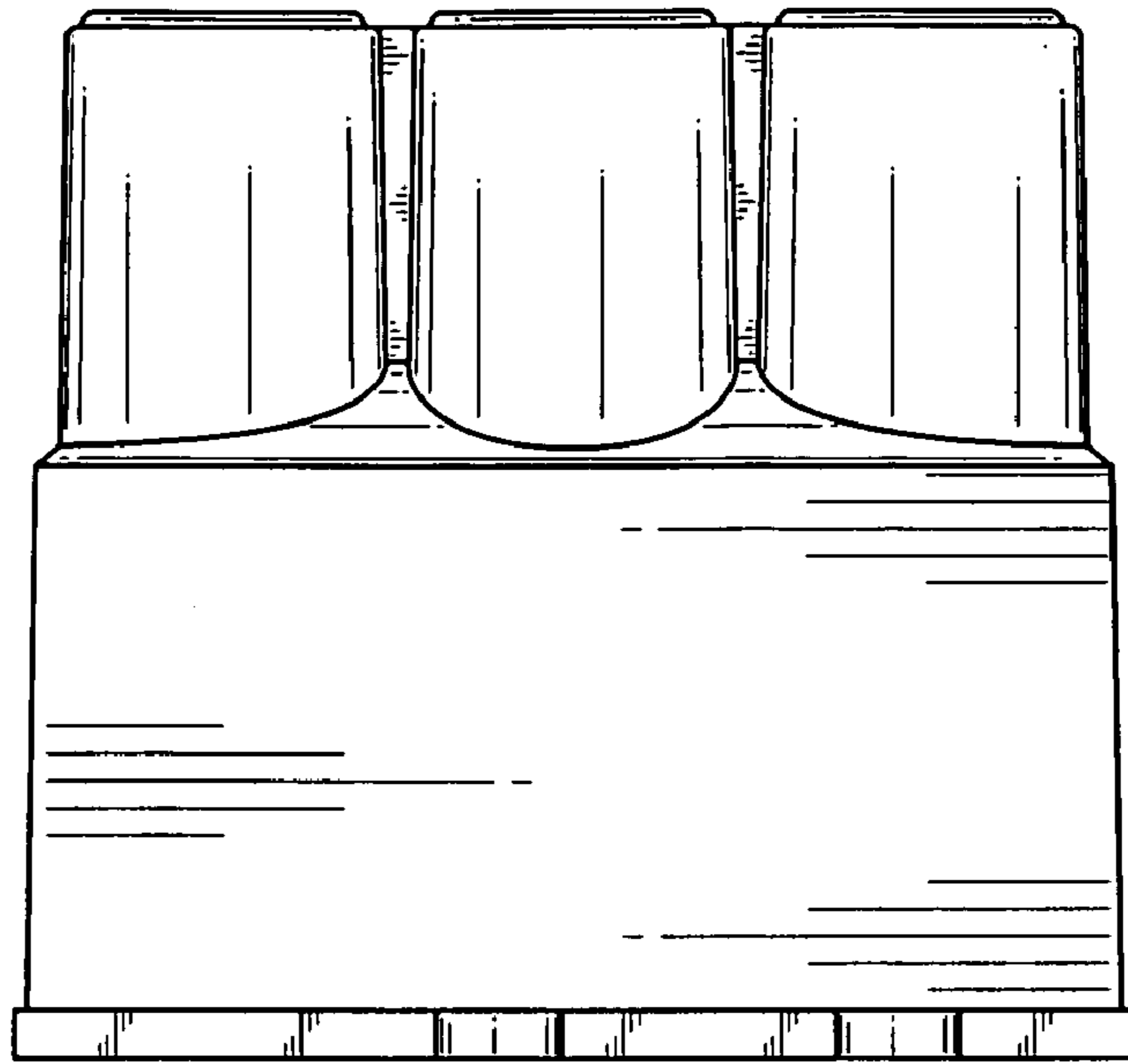


FIG. 5

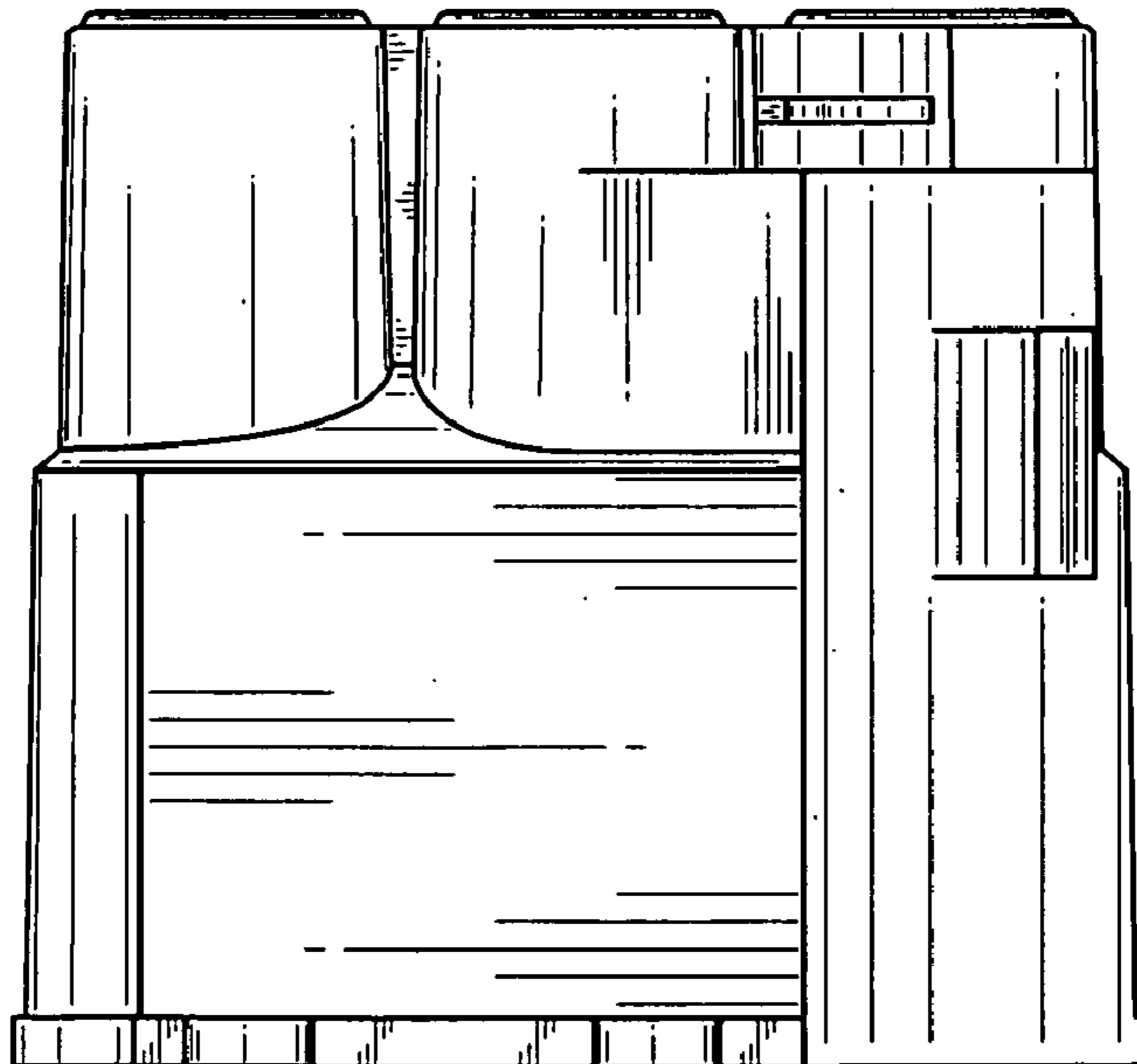


FIG. 6

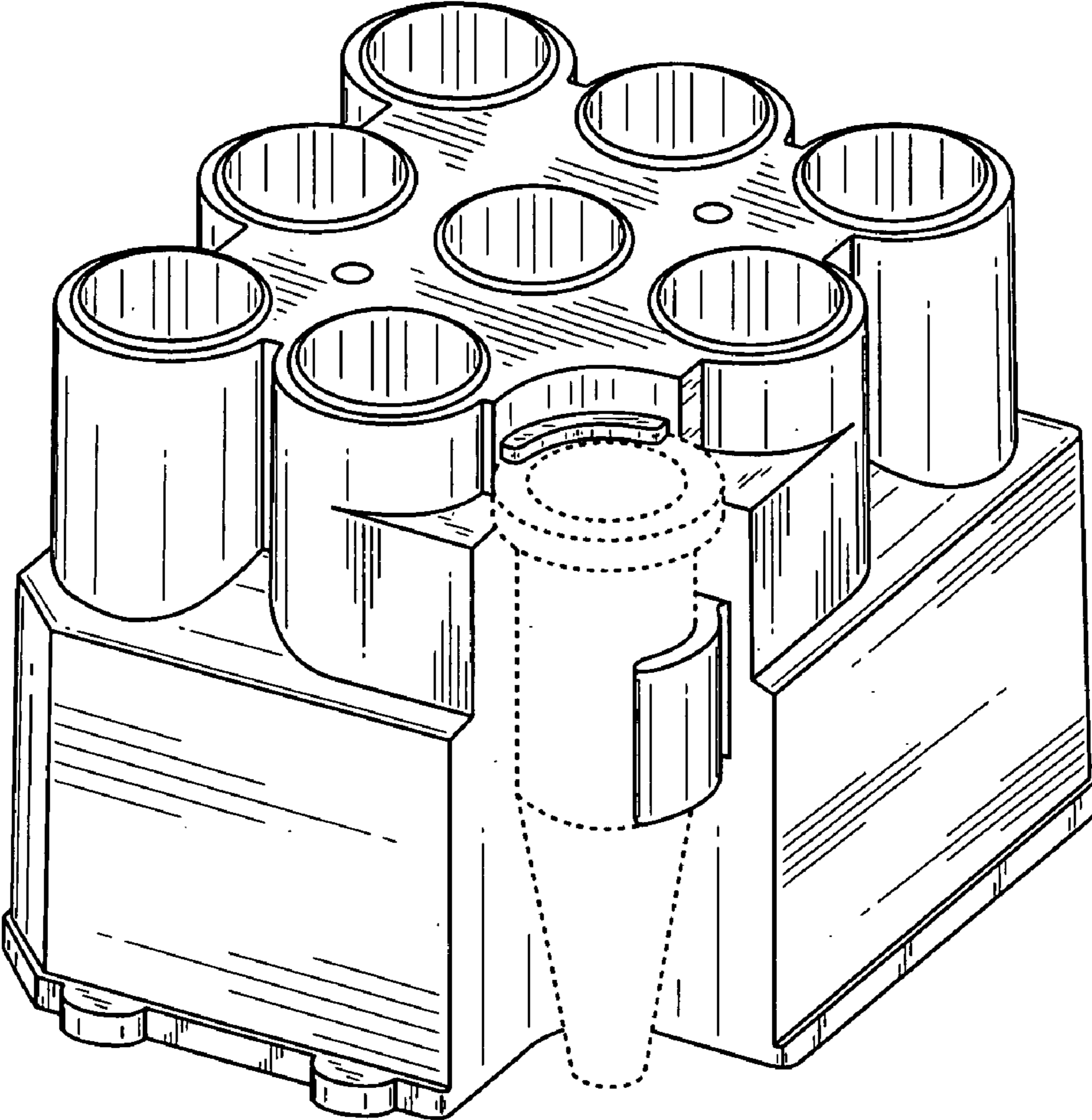


FIG. 7