



US00D657472S

(12) **United States Design Patent**  
**DeFeo**

(10) **Patent No.:** **US D657,472 S**  
(45) **Date of Patent:** **\*\* Apr. 10, 2012**

(54) **THERAPEUTIC DEVICE FOR POSITIONING BENEATH A TOILET SEAT TO PROMOTE AND FACILITATE COMFORTABLE BOWEL MOVEMENT**

(75) Inventor: **Michael DeFeo**, Rye, NY (US)

(73) Assignee: **Michael De Feo**, Rye, NY (US)

(\*\*) Term: **14 Years**

(21) Appl. No.: **29/316,625**

(22) Filed: **Oct. 15, 2009**

(51) **LOC (9) Cl.** ..... **28-03**

(52) **U.S. Cl.** ..... **D24/200**

(58) **Field of Classification Search** ..... D24/200, D24/206, 209, 210, 185-187, 214, 215, 190, D24/191, 181, 183; 602/5, 19, 36; 128/870, 128/846, 888; 2/467; 4/237; 601/135, 15  
See application file for complete search history.

(56) **References Cited**

U.S. PATENT DOCUMENTS

1,055,219	A	3/1913	Pilkington	.....	4/237
2,256,994	A	9/1941	Warsaw	.....	4/237
2,985,171	A	5/1961	Wiederman	.....	606/201
3,004,534	A	10/1961	Gottberg	.....	601/1
4,048,679	A	9/1977	Garnett	.....	4/237
4,189,794	A	2/1980	Aleman-Mucino	.....	4/237
4,244,063	A	1/1981	Bayard	.....	4/237
D270,818	S *	10/1983	Simons	.....	D24/187
D277,983	S *	3/1985	Kaminski	.....	D24/214
D285,116	S *	8/1986	Hoff	.....	D24/214

D363,991	S *	11/1995	Benware et al.	.....	D24/200
D376,016	S *	11/1996	Chen	.....	D24/214
5,624,385	A *	4/1997	Hwang	.....	601/135
5,676,637	A *	10/1997	Lee	.....	601/15
D403,428	S *	12/1998	Russo	.....	D24/200
D412,752	S *	8/1999	Forbes	.....	D24/214
6,214,027	B1 *	4/2001	Brossard	.....	602/19
6,336,895	B1 *	1/2002	Dukes	.....	602/19
6,584,621	B2	7/2003	Kim	.....	4/237
D543,633	S *	5/2007	McCaffrey	.....	D24/200
D601,252	S *	9/2009	Ra	.....	D24/200

\* cited by examiner

*Primary Examiner* — David Muller

(57) **CLAIM**

I claim the ornamental design for a therapeutic device for positioning beneath a toilet seat to promote and facilitate comfortable bowel movement, as shown and described.

**DESCRIPTION**

FIG. 1 is a top, front and left side perspective view of my new design.

FIG. 2 is a front elevation view thereof;

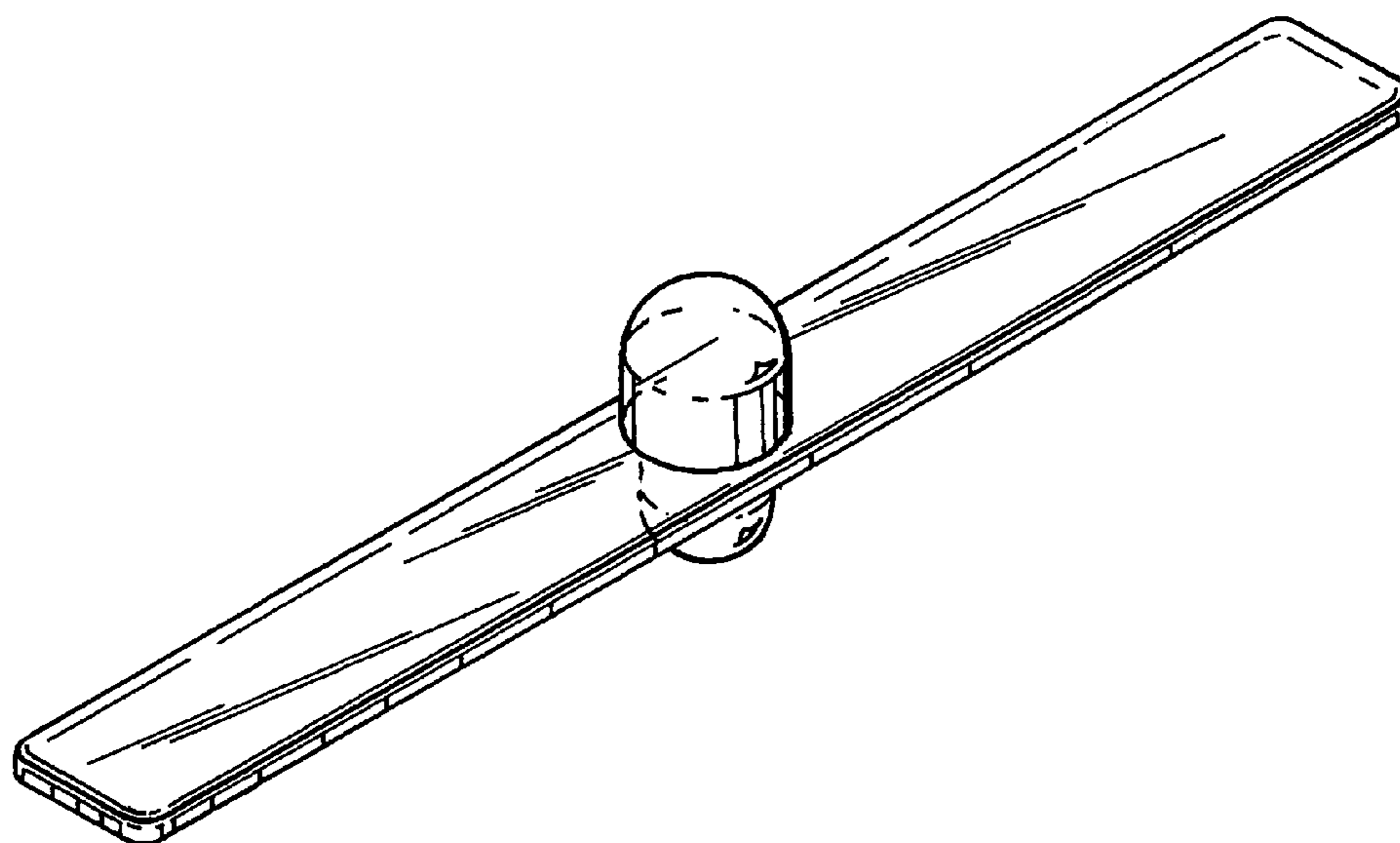
FIG. 3 is a top plan view thereof;

FIG. 4 is a right end elevation view thereof, the left end elevation view being identical; and,

FIG. 5 is a bottom plan view thereof.

The design consists of an elongate, bar-like support having at least one rounded projection that extends away from a central area of the support and provides a rounded engagement surface, with some embodiments including two rounded projections of different size that extend away from the support in opposite directions.

**1 Claim, 2 Drawing Sheets**



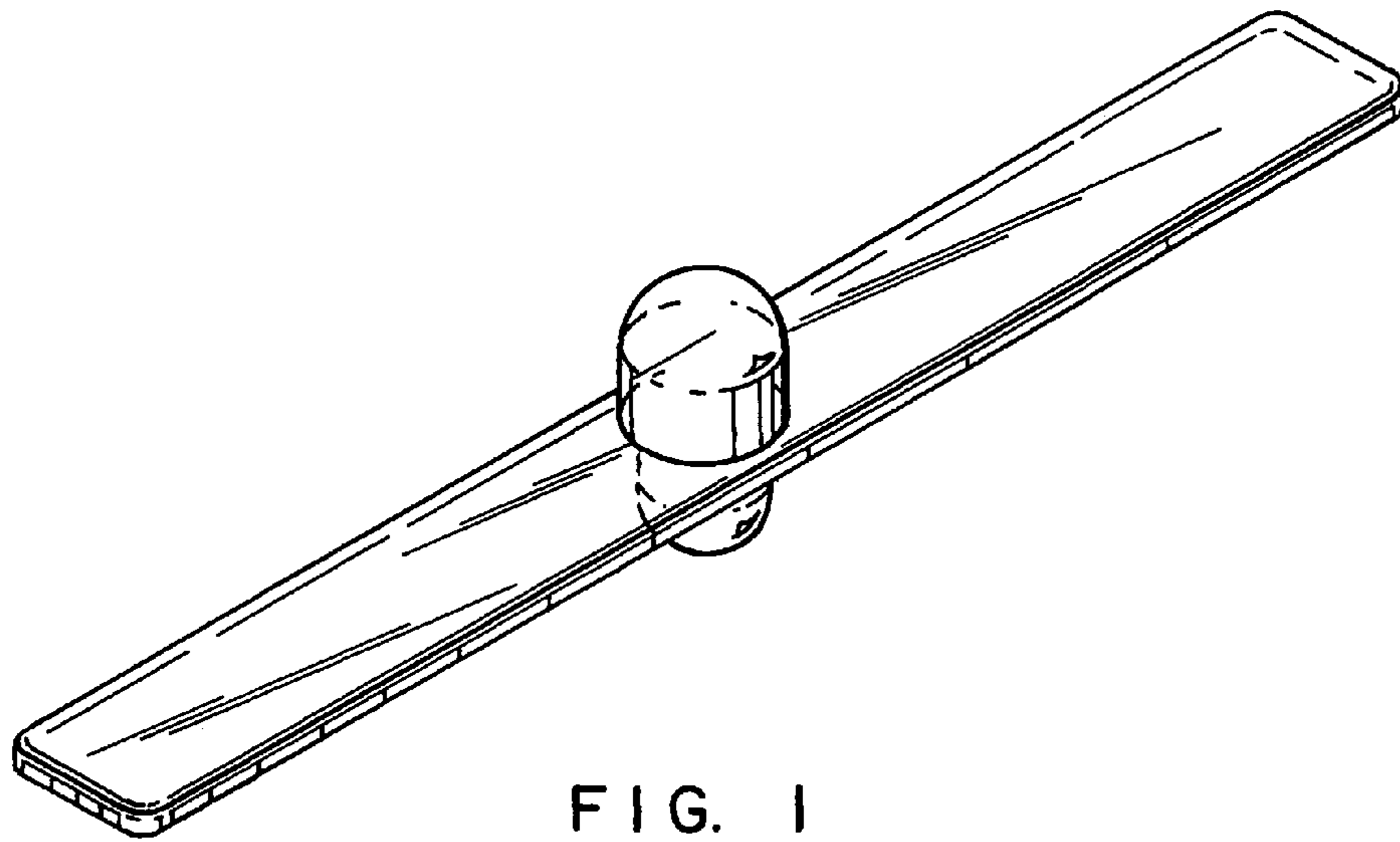


FIG. 1

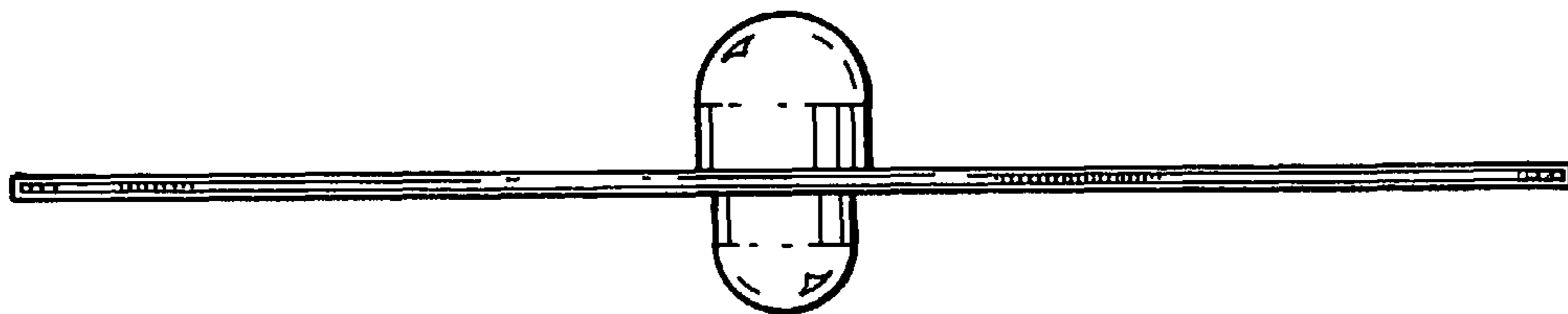


FIG. 2

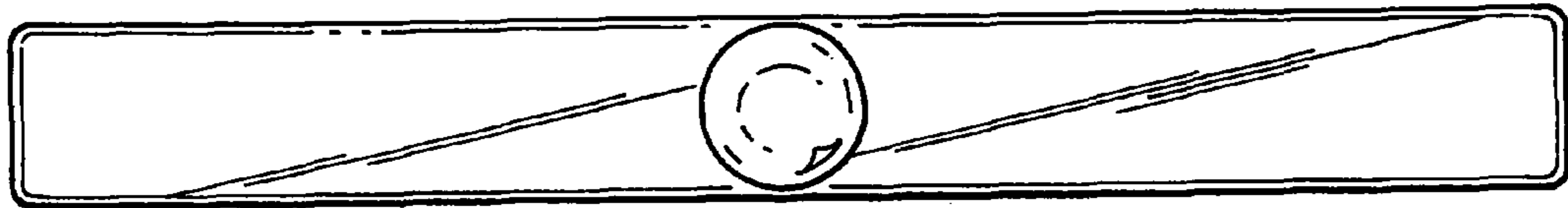


FIG. 3

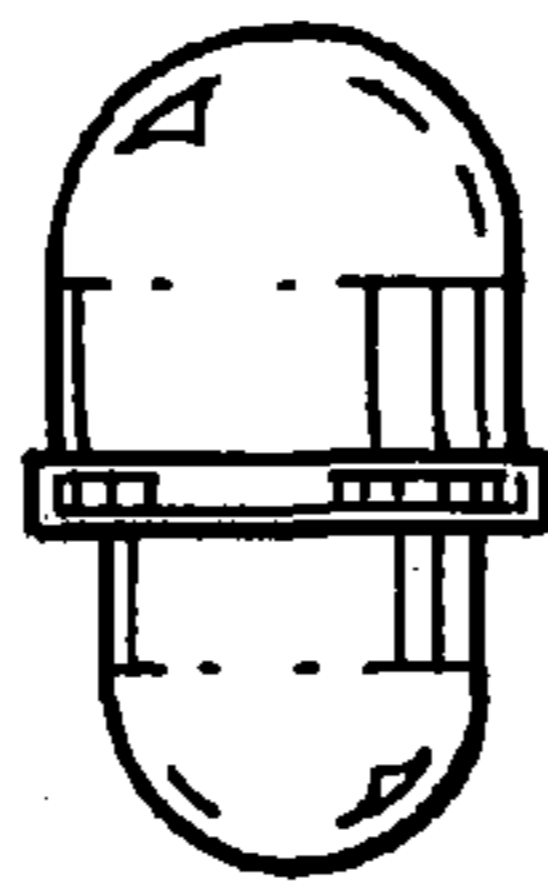


FIG. 4

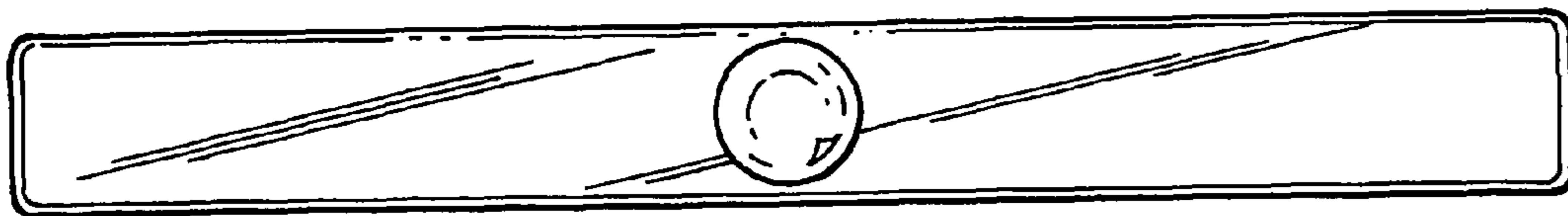


FIG. 5