



US00D657470S

(12) **United States Design Patent**
Schon et al.

(10) **Patent No.:** **US D657,470 S**
(45) **Date of Patent:** **** Apr. 10, 2012**

(54) **PORTRAIT-ORIENTED ULTRASOUND
DEVICE**

(75) Inventors: **Peter Schon**, New York, NY (US);
Damien Vizcarra, Pasadena, CA (US);
Gregg Flender, Bedford, MA (US)

(73) Assignee: **Mindray DS USA, Inc**, Mahwah, NJ
(US)

(**) Term: **14 Years**

(21) Appl. No.: **29/399,363**

(22) Filed: **Aug. 12, 2011**

(51) **LOC (9) Cl.** **24-02**

(52) **U.S. Cl.** **D24/186**

(58) **Field of Classification Search** D24/107-108,
D24/111, 144, 160, 167-169, 172, 185-186,
D24/234, 158, 164; D34/12, 14; 248/47.34,
248/282.1; 606/32-34; 312/209, 223.1-223.2,
312/249.12; 600/1-3, 104, 437, 443; D28/9
See application file for complete search history.

(56) **References Cited**

U.S. PATENT DOCUMENTS

D338,272 S *	8/1993	Cunagin et al.	D24/186
D368,521 S *	4/1996	Asai et al.	D24/160
D422,695 S *	4/2000	van Engelen et al.	D24/169
D422,696 S *	4/2000	van Engelen et al.	D24/107
D459,477 S *	6/2002	Stocks et al.	D24/186
D550,362 S *	9/2007	Olivera et al.	D24/185
D561,342 S *	2/2008	Zimmer	D24/185

D613,866 S *	4/2010	Tanaka et al.	D24/185
D621,513 S *	8/2010	Cinquabre	D24/185
D626,235 S *	10/2010	Smith et al.	D24/158
D628,742 S *	12/2010	Hsu	D28/9
D629,523 S *	12/2010	Porter et al.	D24/185
D643,535 S *	8/2011	Ross et al.	D24/164
D648,855 S *	11/2011	Smith et al.	D24/158

* cited by examiner

Primary Examiner — T. Chase Nelson

Assistant Examiner — Mark Cavanna

(74) *Attorney, Agent, or Firm* — Kory D. Christensen; Stoel
Rives LLP

(57) **CLAIM**

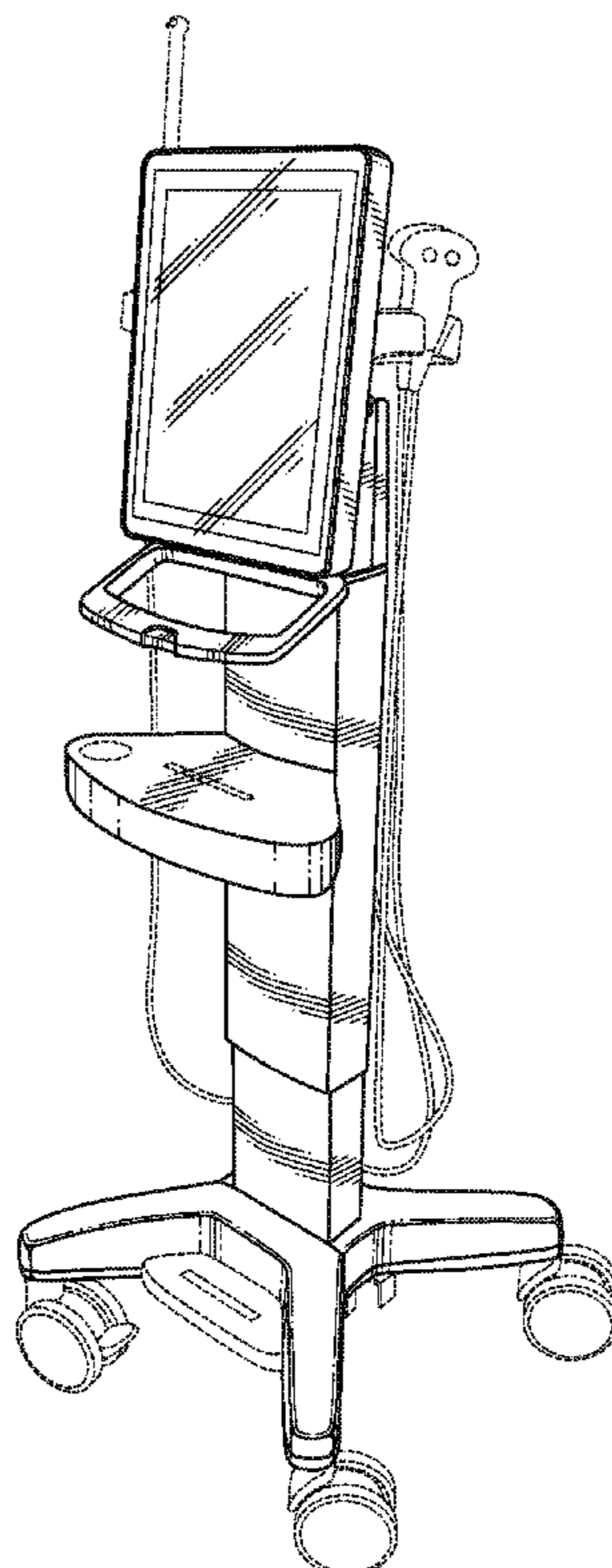
The ornamental design for a portrait-oriented ultrasound
device, as shown and described.

DESCRIPTION

FIG. 1 is a front perspective view of an embodiment of a
portrait-oriented ultrasound device, showing our new design;
FIG. 2 is a left side elevation view thereof;
FIG. 3 is a front elevation view thereof;
FIG. 4 is a rear elevation view thereof;
FIG. 5 is a right side elevation view thereof;
FIG. 6 is a top plan view thereof; and,
FIG. 7 is a bottom plan view thereof.

The broken lines immediately adjacent the shaded areas rep-
resent the bounds of the claimed design, while all other bro-
ken lines are directed to environment and are for illustrative
purposes only; the broken lines form no part of the claimed
design.

1 Claim, 4 Drawing Sheets



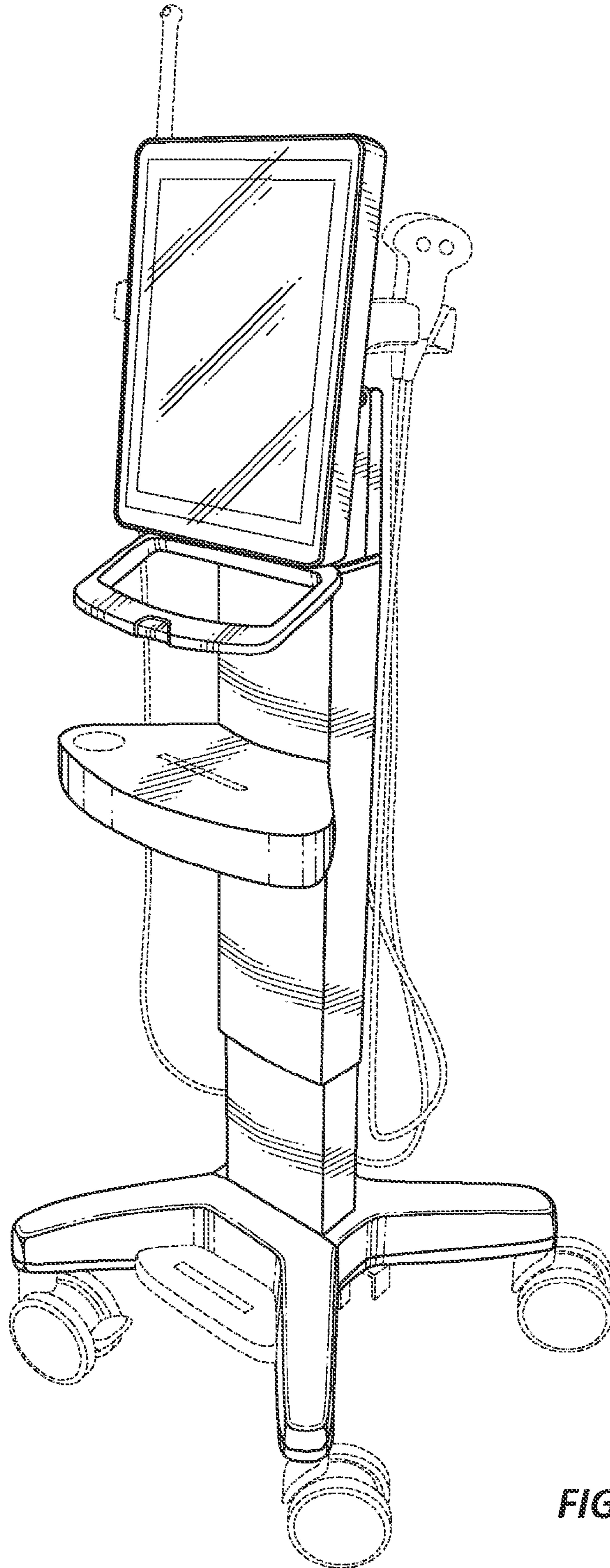


FIG. 1

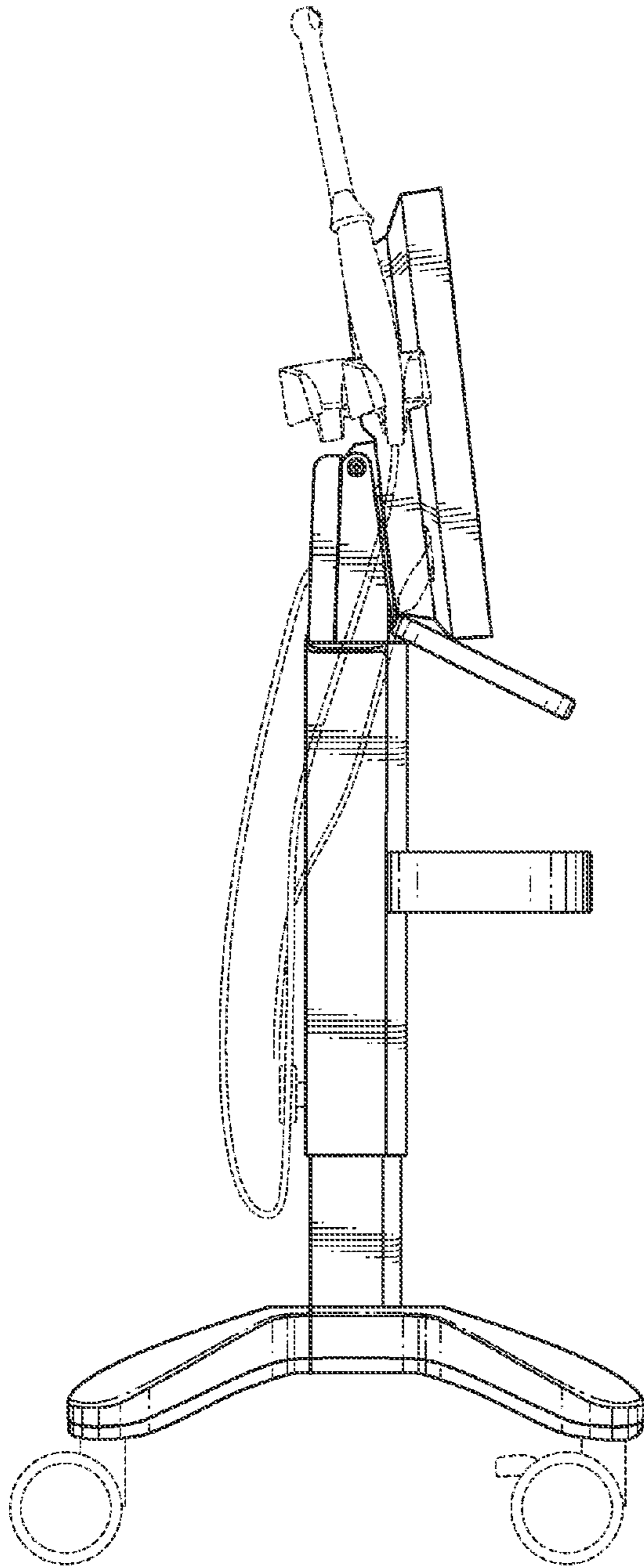


FIG. 3

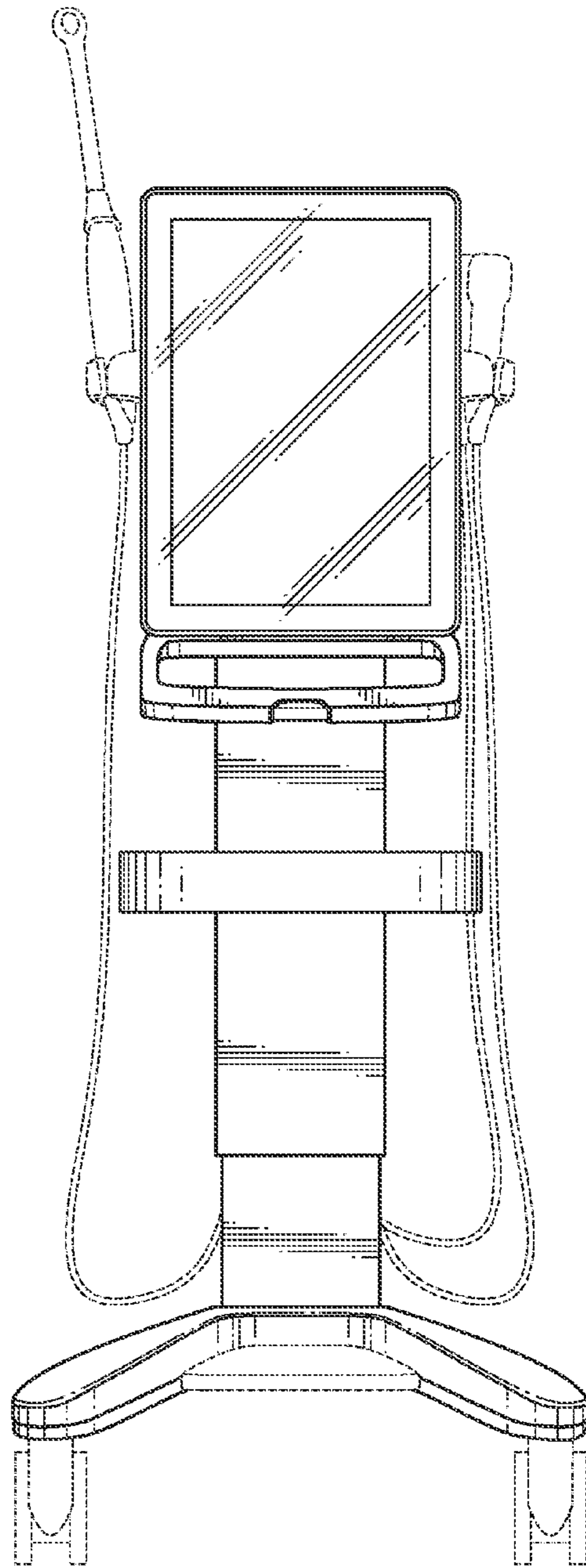


FIG. 2

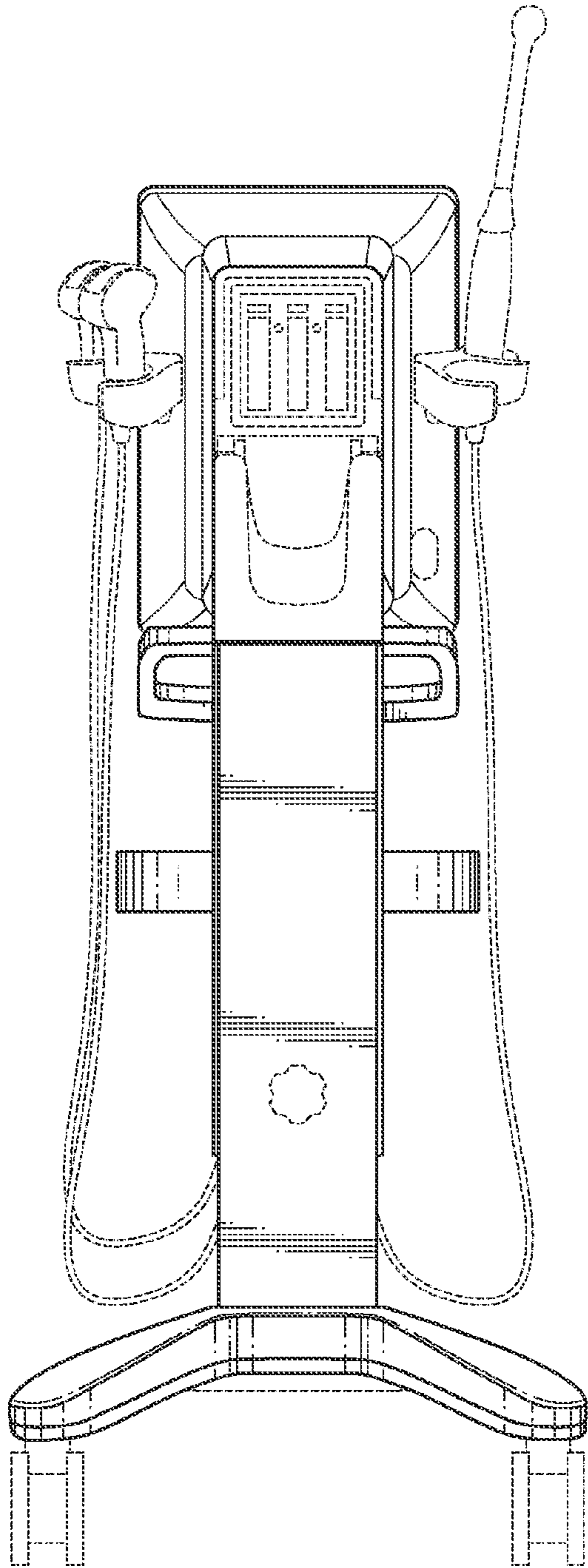


FIG. 4

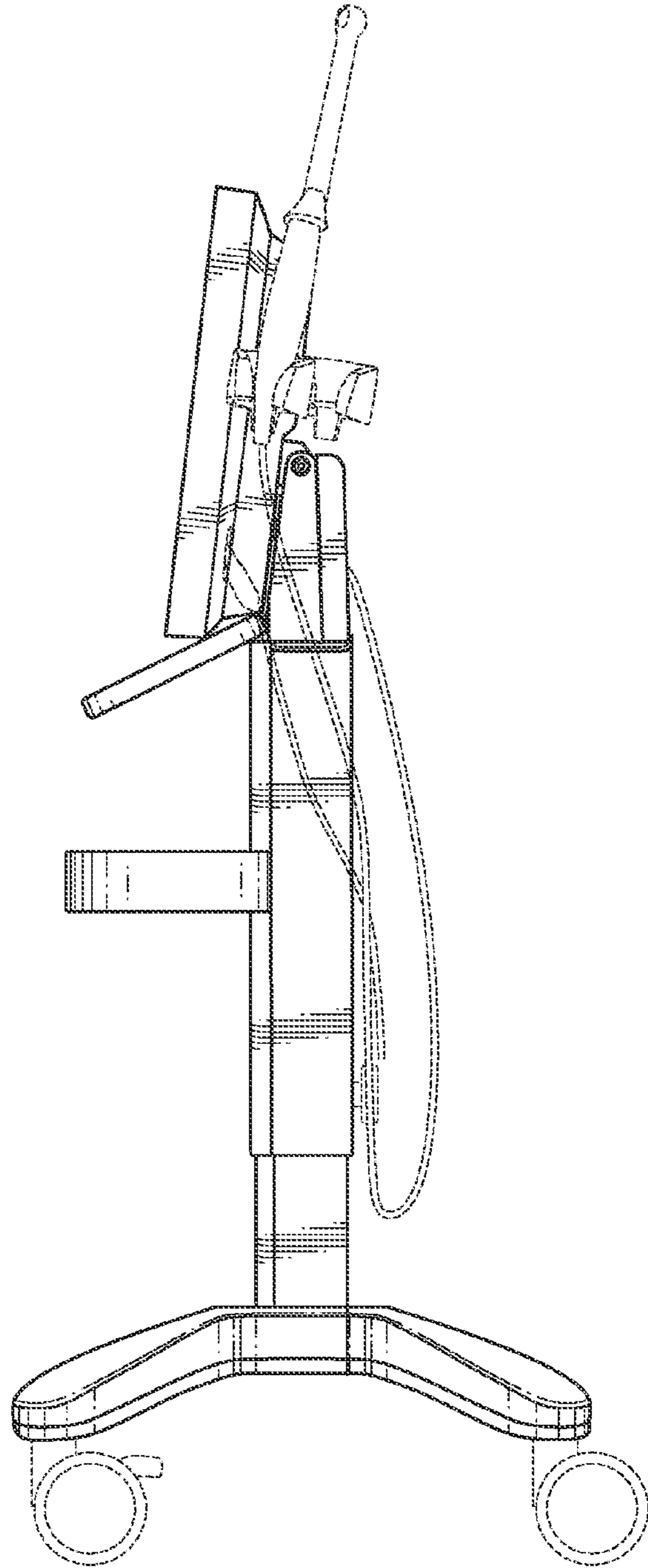


FIG. 5

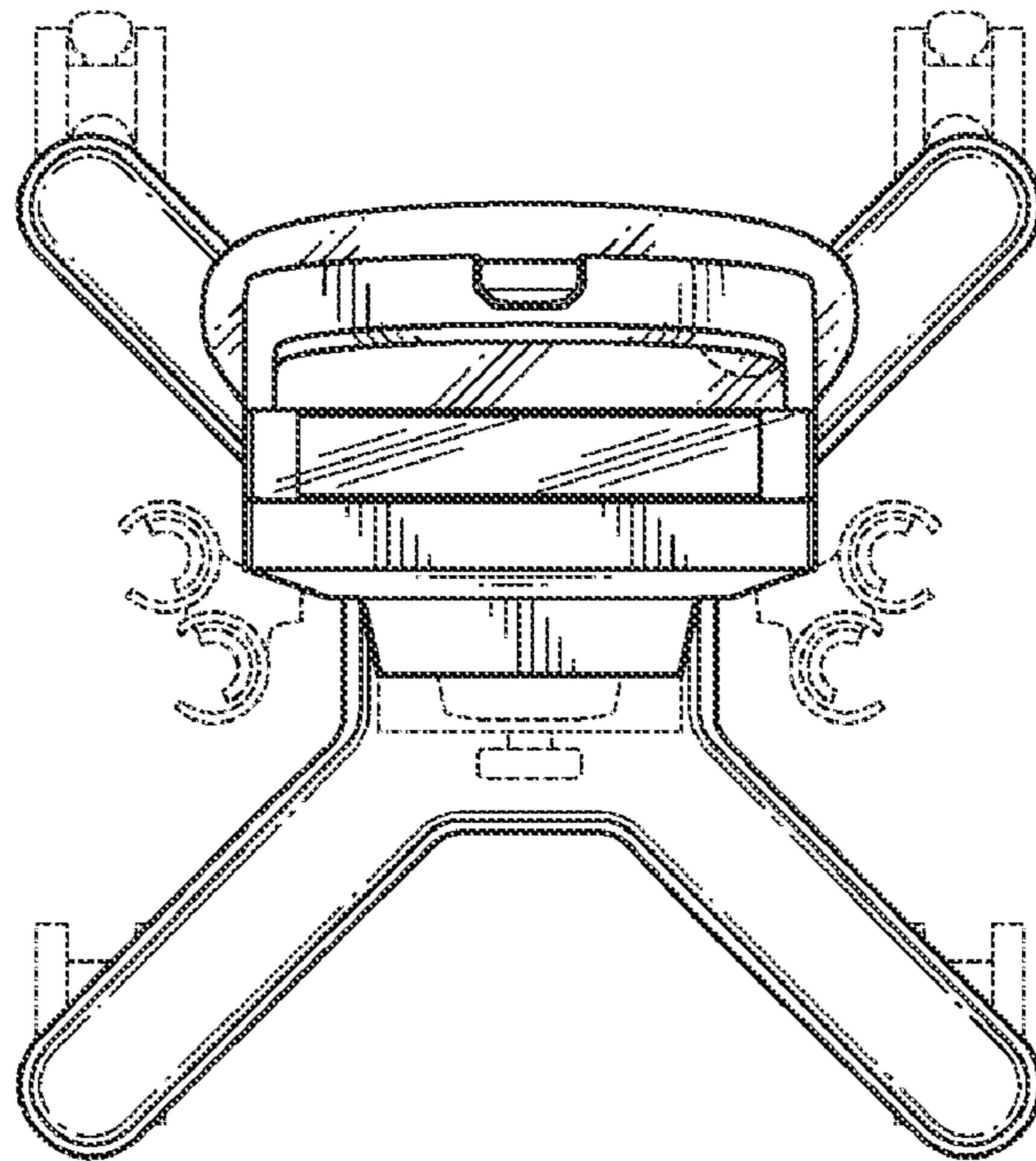


FIG. 6

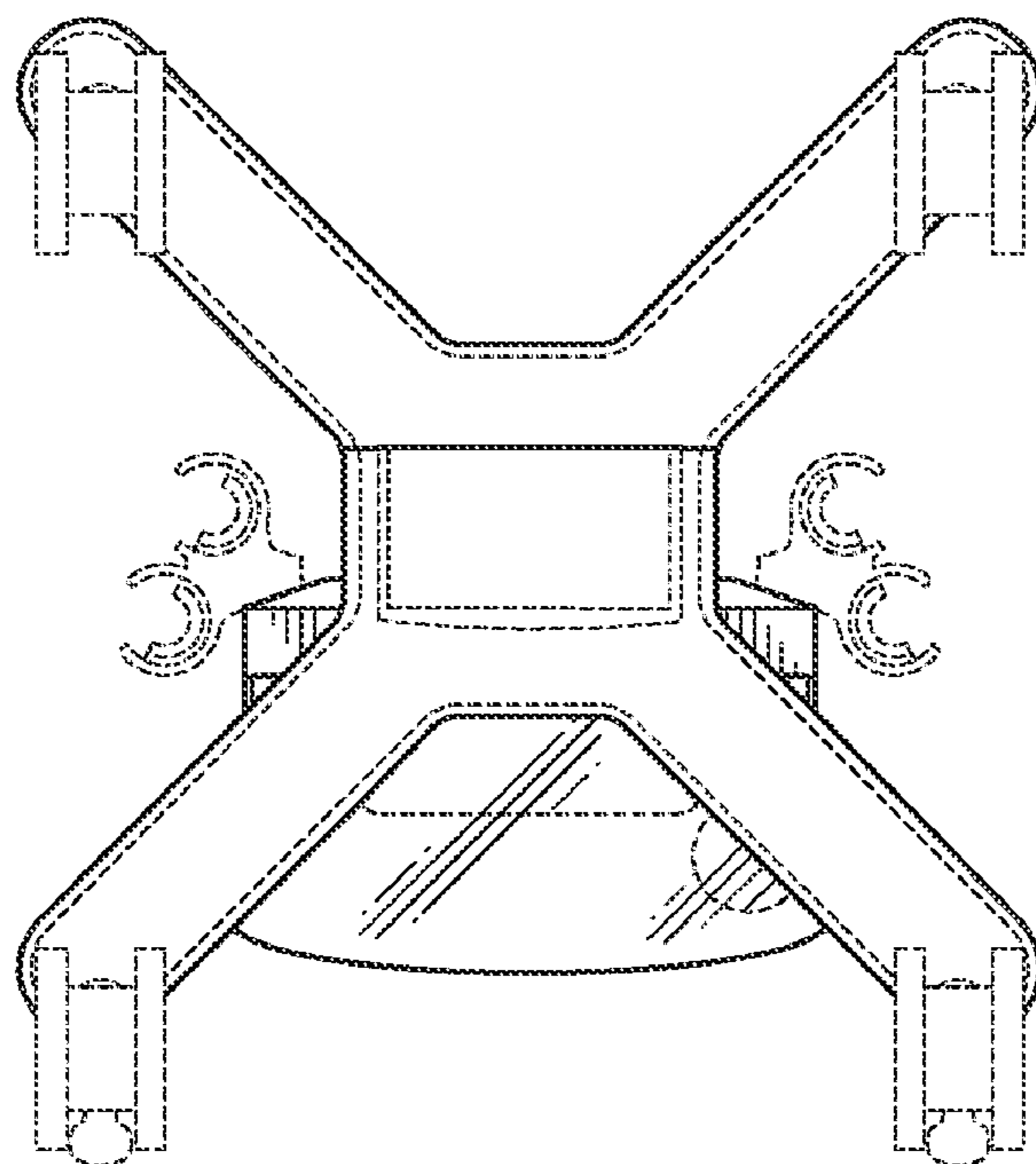


FIG. 7