



US00D657469S

(12) **United States Design Patent**
Vilas

(10) **Patent No.:** **US D657,469 S**
(45) **Date of Patent:** **** Apr. 10, 2012**

- (54) **PORTABLE MEDICAL EQUIPMENT FOR CLINICAL ANALYSIS**
- (75) Inventor: **Joaquin Sabaris Vilas**, St. Cugat Vallès (ES)
- (73) Assignee: **Roche Diagnostics, SL**, St. Cugat del Valles (Barcelona) (ES)
- (**) Term: **14 Years**

D480,810	S	*	10/2003	Gumisawa	D24/158
6,629,927	B1	*	10/2003	Mesaros et al.	600/437
D512,508	S	*	12/2005	Mesaros	D24/185
7,044,568	B2	*	5/2006	Olivera et al.	312/209
D541,942	S	*	5/2007	Hirson et	D24/185
D560,807	S	*	1/2008	Kitayama et al.	D24/158
D571,011	S	*	6/2008	Otoha et al.	D24/158
7,461,825	B2	*	12/2008	Olivera et al.	248/282.1
D619,241	S	*	7/2010	Olsson	D24/107
D626,236	S	*	10/2010	Ninomiya et al.	D24/185
D630,752	S	*	1/2011	Suzuki	D24/158

- (21) Appl. No.: **29/399,427**
- (22) Filed: **Aug. 14, 2011**

Related U.S. Application Data

- (63) Continuation-in-part of application No. 29/357,912, filed on Mar. 19, 2010, now Pat. No. Des. 652,520.
- (51) **LOC (9) Cl.** **24-02**
- (52) **U.S. Cl.** **D24/185**
- (58) **Field of Classification Search** D24/107-108, D24/111, 144, 160, 167-169, 172, 185-186, D24/231, 234, 158; D34/12, 14; 248/47.34, 248/282.1; 606/32-34; 312/209, 223.1-223.2, 312/249.12; 600/1-3, 104, 437, 443
See application file for complete search history.

(56) **References Cited**

U.S. PATENT DOCUMENTS

D328,131	S	*	7/1992	Bayerlein et al.	D24/185
D360,690	S	*	7/1995	Murakami	D24/186
D365,148	S	*	12/1995	Murakami et al.	D24/160
D379,231	S	*	5/1997	Ungari	D24/160
D389,916	S	*	1/1998	DiPerna et al.	D24/169
D398,059	S	*	9/1998	Kwak	D24/160
D406,894	S	*	3/1999	Menhennett et al.	D24/169
D410,544	S	*	6/1999	Metzler et al.	D24/172
D438,952	S	*	3/2001	Cimino et al.	D24/185
D467,001	S	*	12/2002	Buczek et al.	D24/172

OTHER PUBLICATIONS

Office Action for U.S. Appl. No. 29/357,912.

* cited by examiner

Primary Examiner — T. Chase Nelson

Assistant Examiner — Mark Cavanna

(74) *Attorney, Agent, or Firm* — Aboy & Associates, PC

(57) **CLAIM**

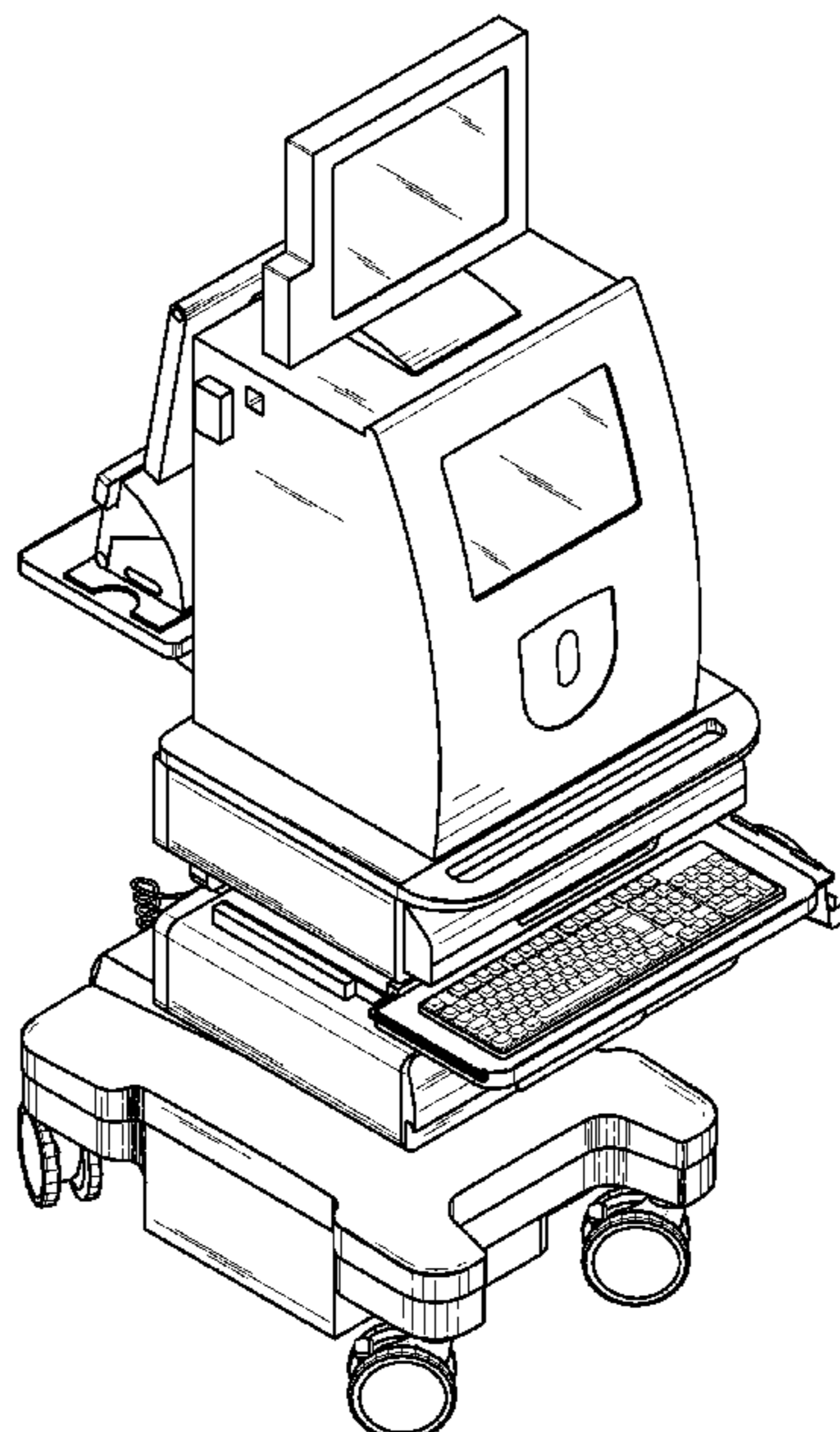
I claim the ornamental design for a portable medical equipment for clinical analysis, as shown and described.

DESCRIPTION

FIG. 1 is a top front perspective view of a portable medical equipment for clinical analysis showing the new design; FIG. 2 is a bottom back perspective view thereof; FIG. 3 is a front side view thereof; FIG. 4 is a rear side view thereof; FIG. 5 is a right side view thereof; FIG. 6 is a left side view thereof; FIG. 7 is a top view thereof; and, FIG. 8 is a bottom view thereof.

The broken lines are included for the purpose of illustrating portions of the portable medical equipment for clinical analysis that form no part of the claimed design.

1 Claim, 8 Drawing Sheets



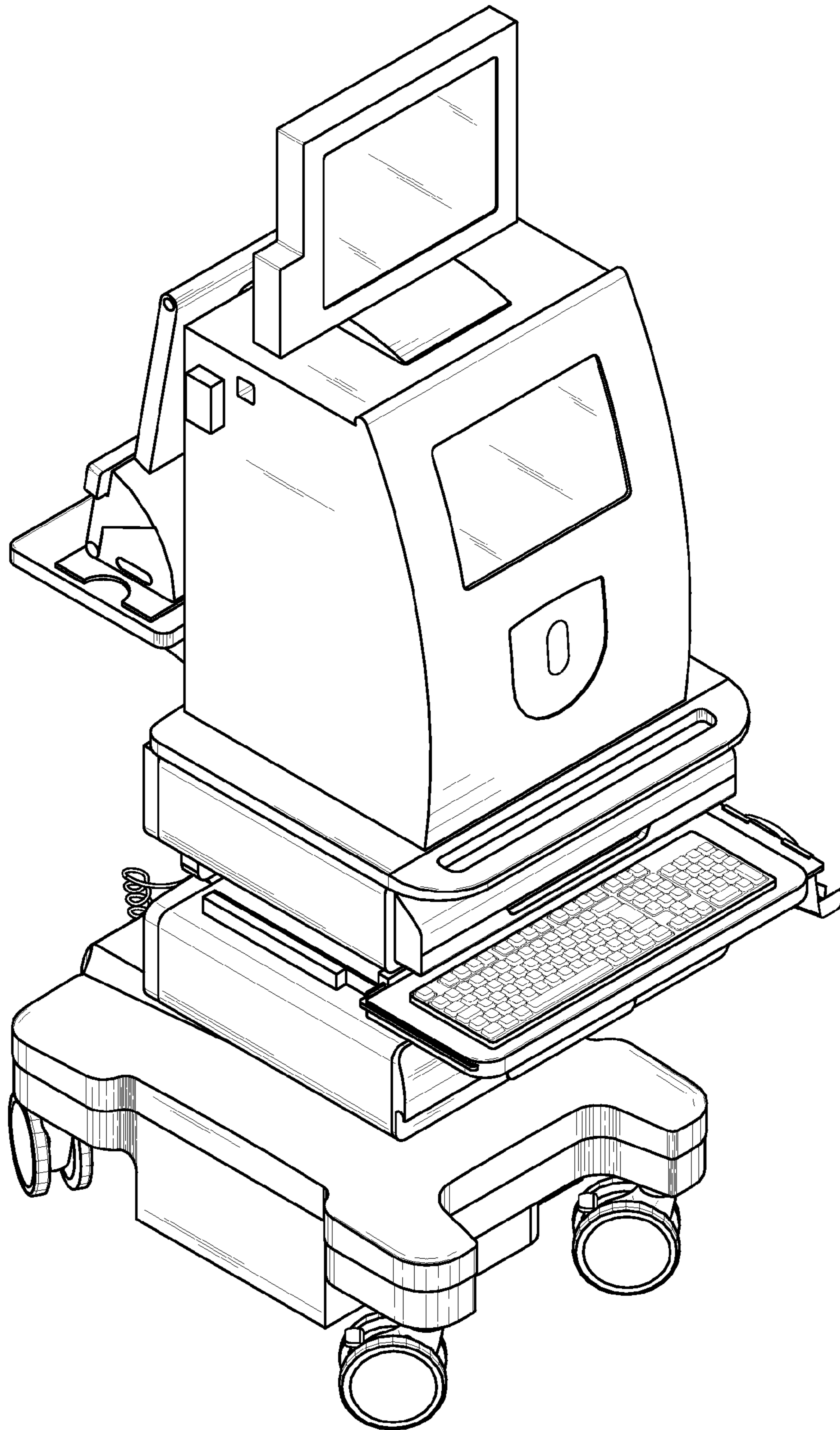


FIG. 1

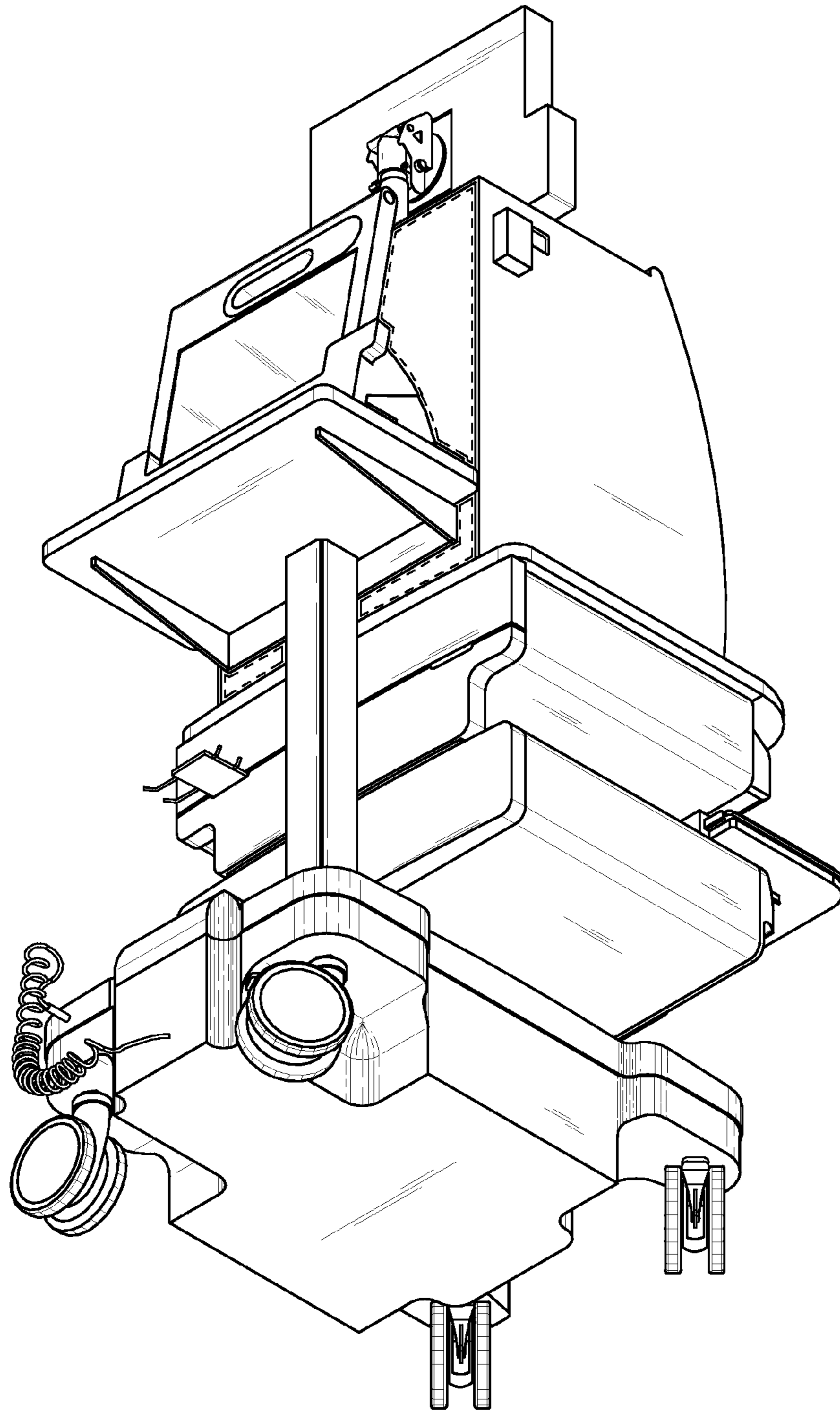


FIG.2

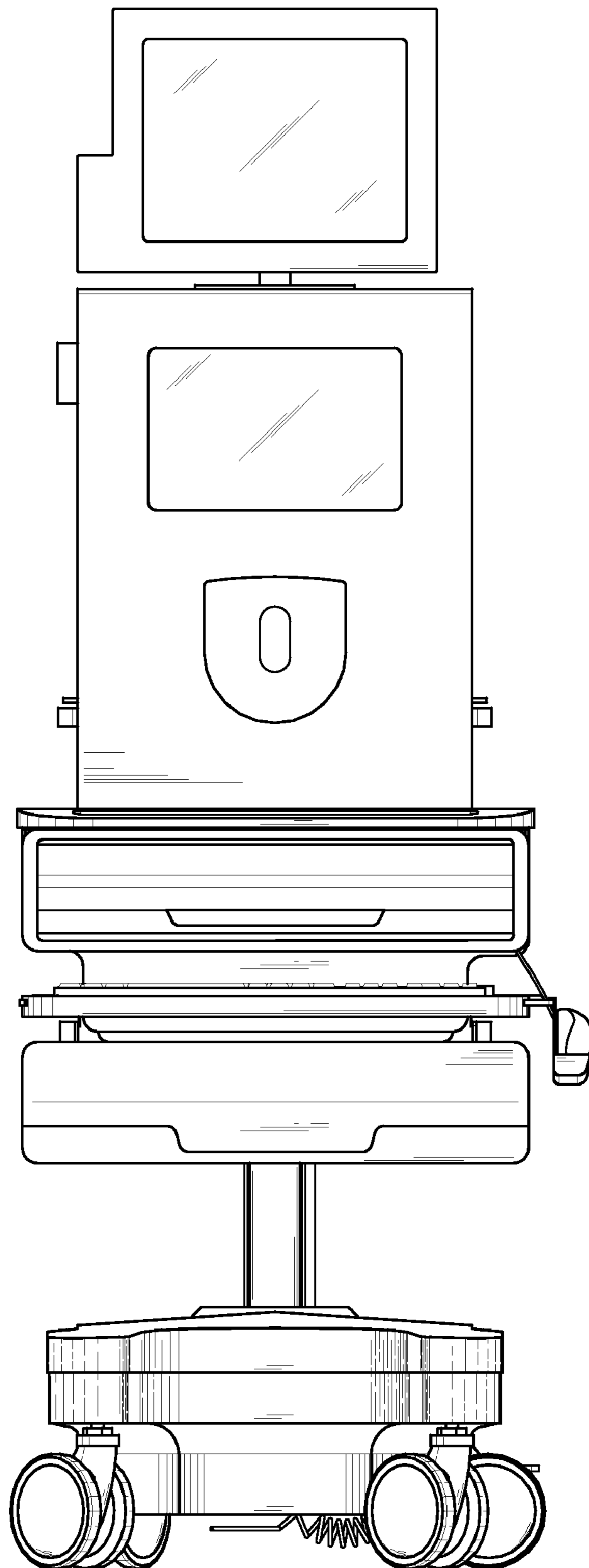


FIG. 3

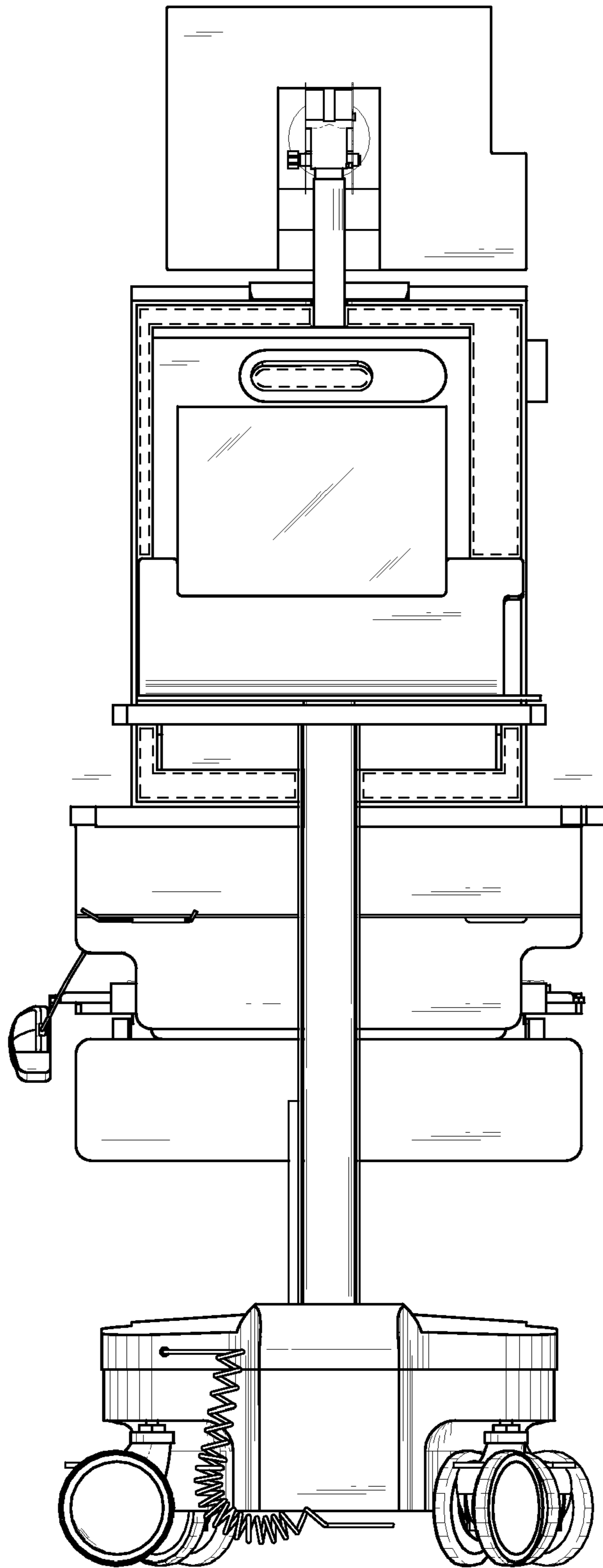


FIG.4

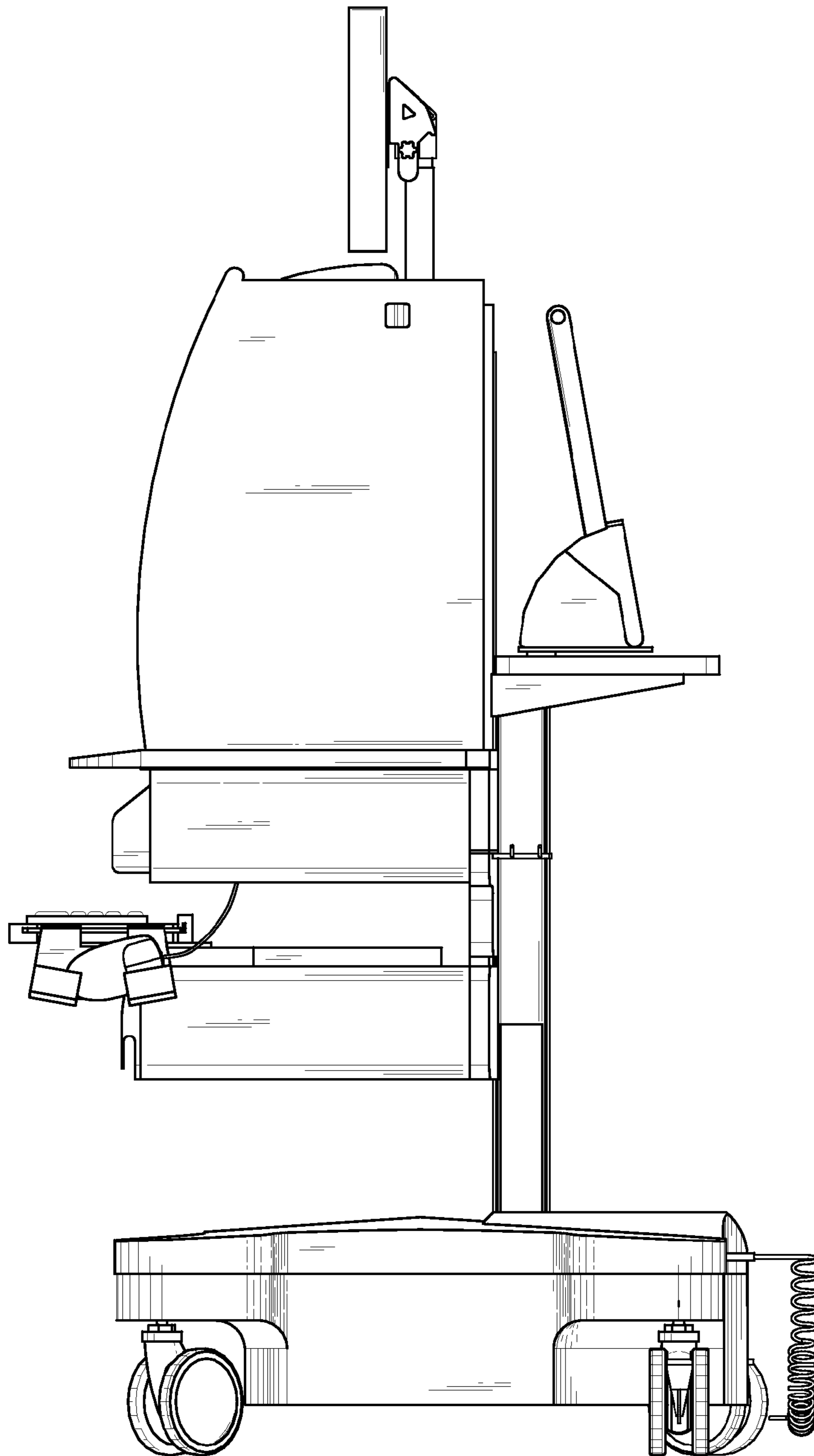


FIG. 5

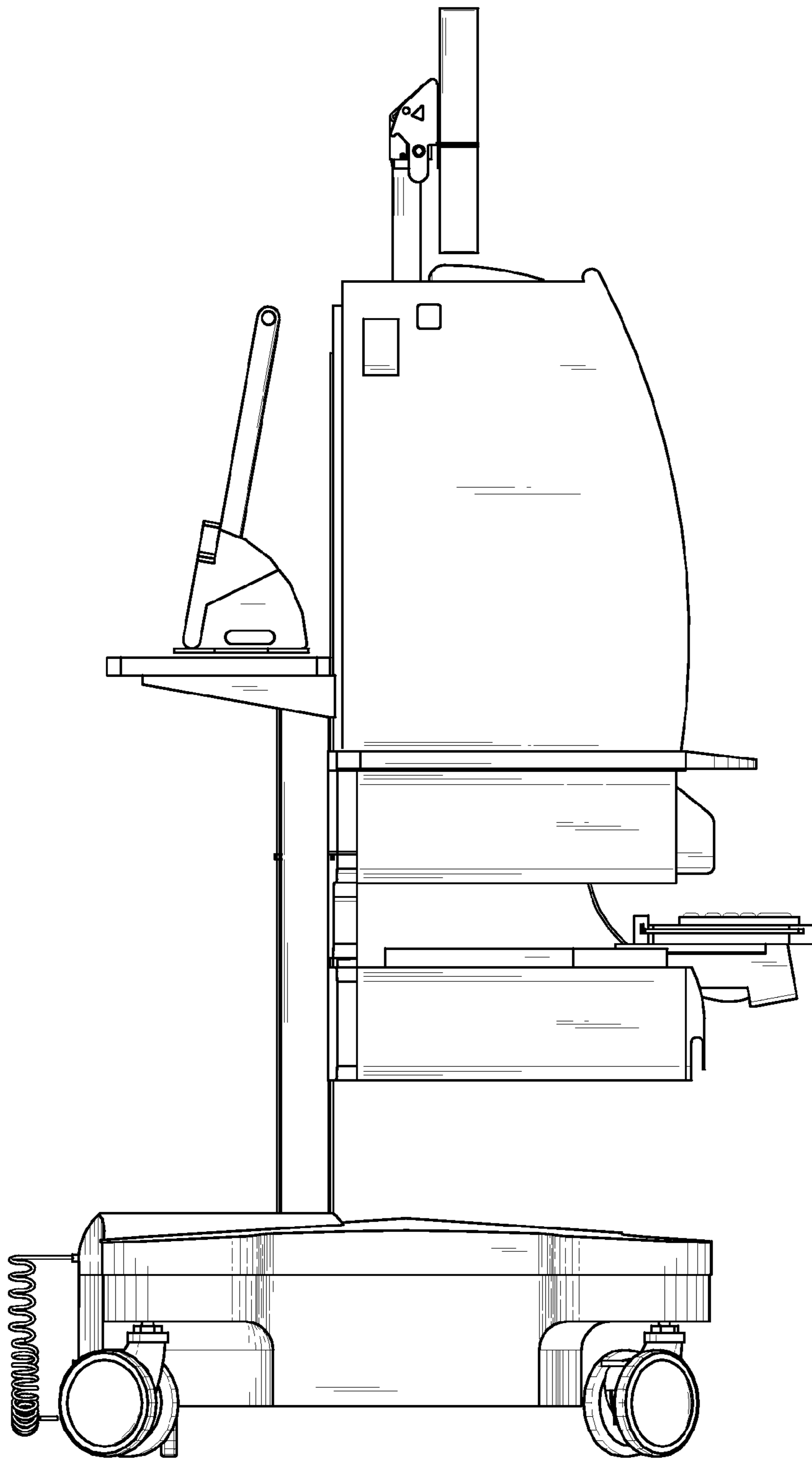


FIG.6

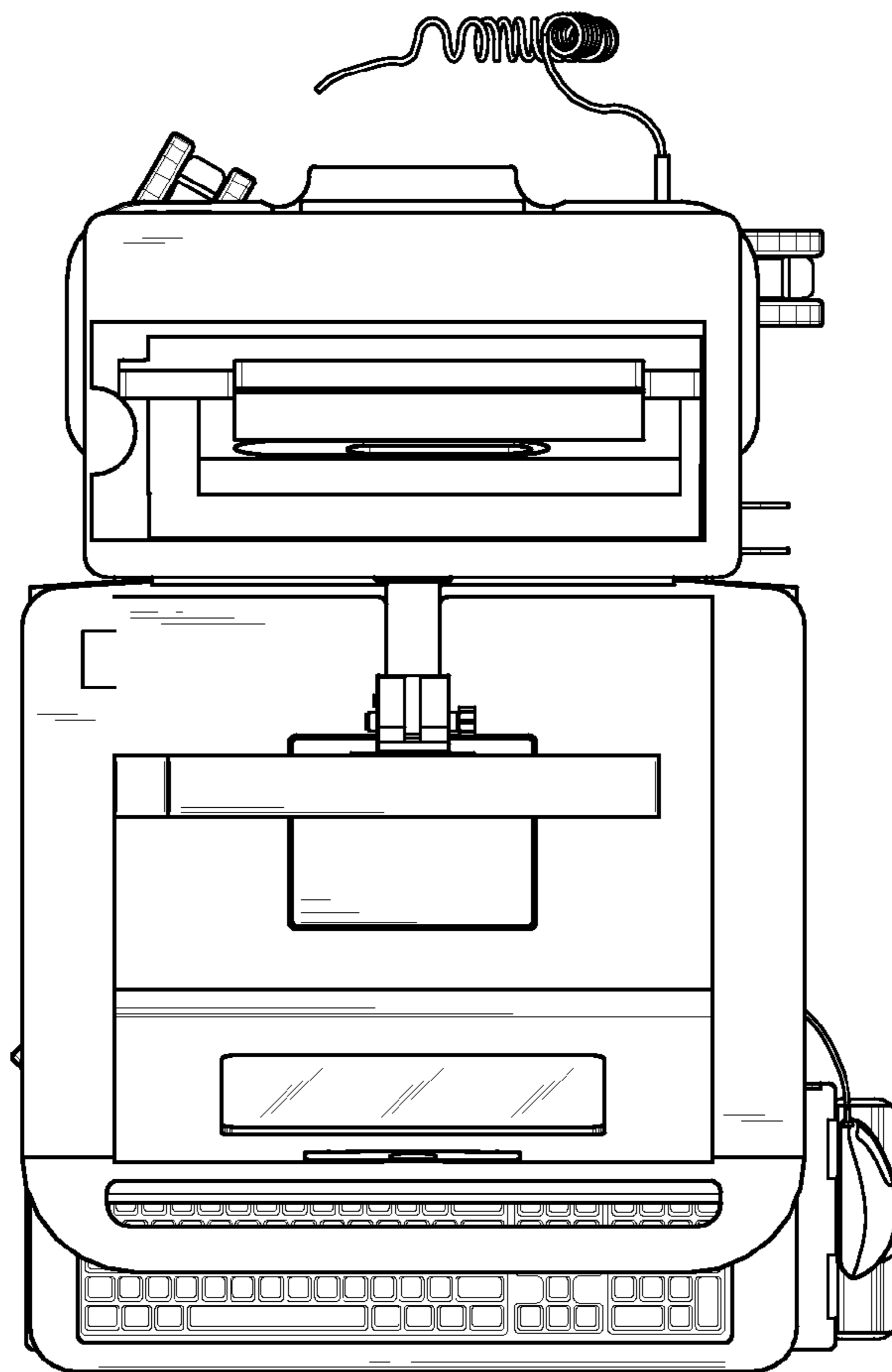


FIG.7

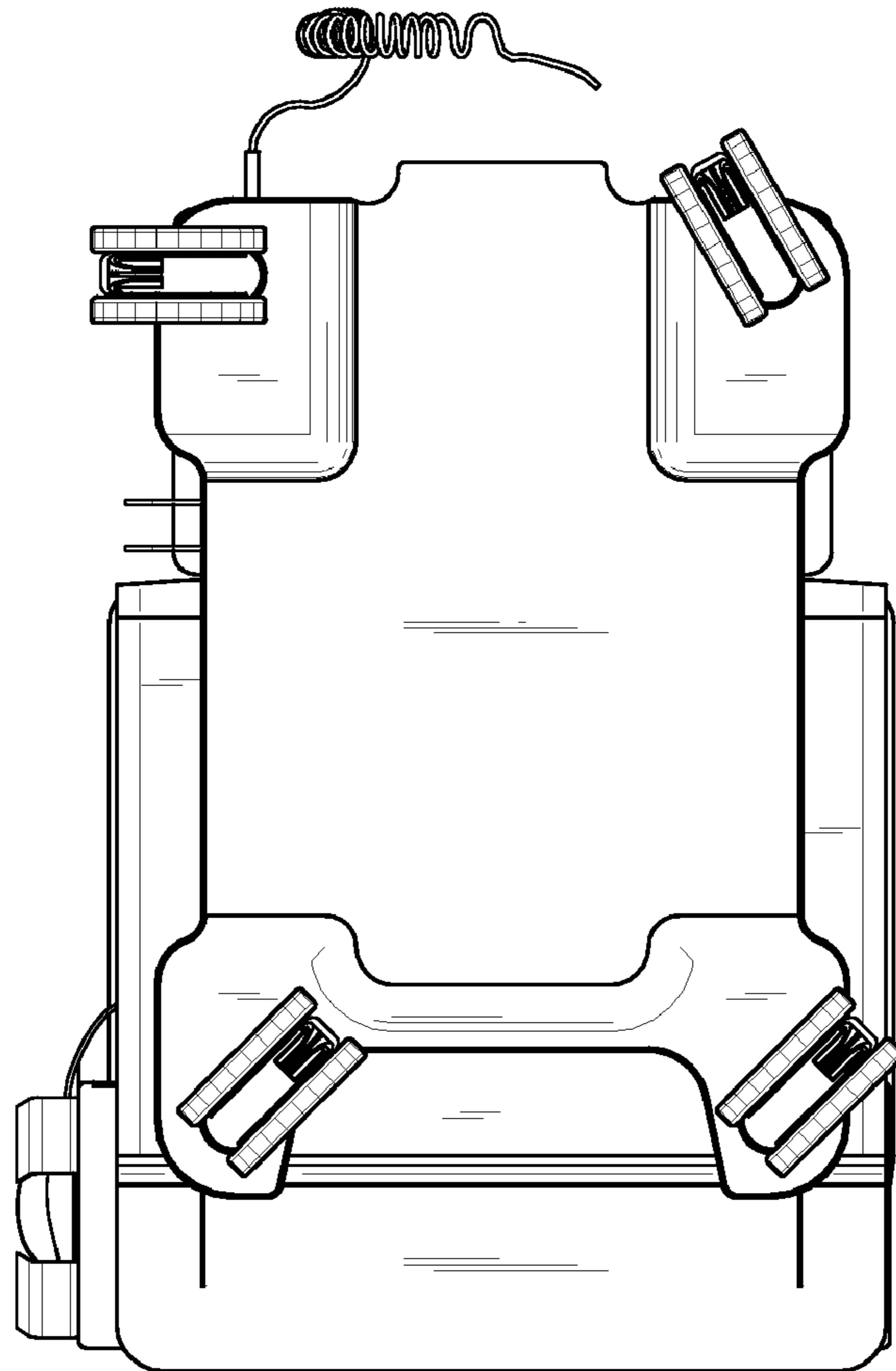


FIG.8