



US00D657466S

(12) **United States Design Patent**
Kuschnigg et al.

(10) **Patent No.:** **US D657,466 S**
(45) **Date of Patent:** **** Apr. 10, 2012**

(54) **PROSTHESIS**

D527,458 S * 8/2006 Harn et al. D24/155
D553,741 S * 10/2007 Chen D24/155
D632,790 S * 2/2011 Cheng D24/155

(75) Inventors: **Peter Kuschnigg**, Neusiedl am Steinfeld
(AT); **Thomas Bertels**, Duderstadt (DE)

OTHER PUBLICATIONS

(73) Assignee: **Otto Bock Healthcare GmbH**,
Duderstadt (DE)

VASI (date unknown).
Hosmer Friction Elbow (date unknown).
RSL Steeper (date unknown).
Otto Bock (date unknown).
RSL Steeper, Specialist Elbow Systems and Shoulders (date unknown).
Exhibit 1 (date unknown).
Exhibit 2 (date unknown).

(**) Term: **14 Years**

* cited by examiner

(21) Appl. No.: **29/360,604**

(22) Filed: **Apr. 28, 2010**

Primary Examiner — Ian Simmons
Assistant Examiner — Charles Hanson
(74) *Attorney, Agent, or Firm* — Hollard & Hart LLP

(30) **Foreign Application Priority Data**

Oct. 30, 2009 (EM) 001174460

(51) **LOC (9) Cl.** **24-03**

(52) **U.S. Cl.** **D24/155**

(58) **Field of Classification Search** D24/155-157;
623/29, 38, 53, 55-57, 64, 17.11, 19.11,
623/44

See application file for complete search history.

(57) **CLAIM**

The ornamental design for a prosthesis, as shown and described.

(56) **References Cited**

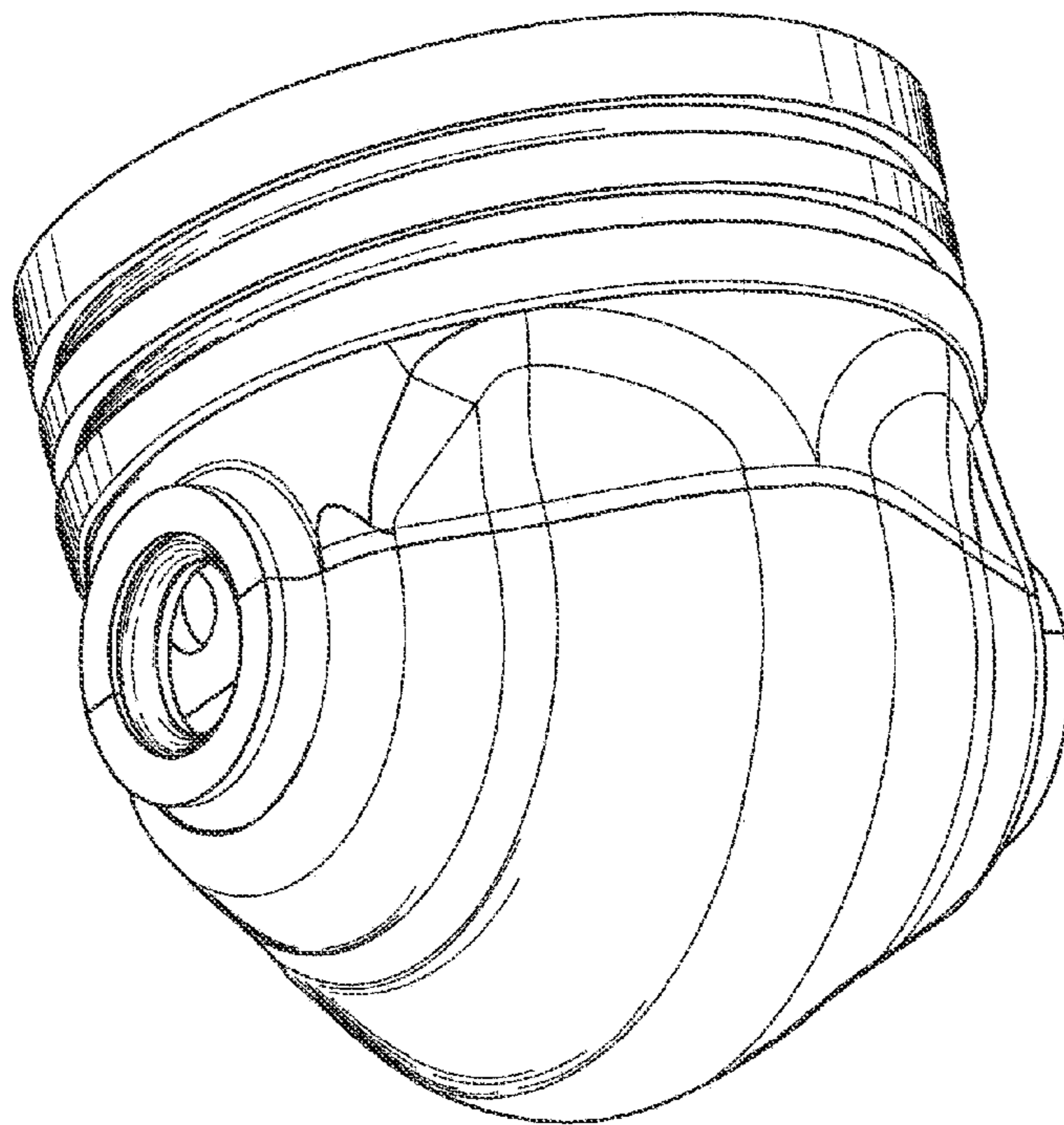
U.S. PATENT DOCUMENTS

D383,542 S * 9/1997 Wellershaus et al. D24/155
D499,487 S * 12/2004 Bedard et al. D24/155
D522,142 S * 5/2006 Boiten D24/155
D523,959 S * 6/2006 Muehlenberend D24/155
D525,709 S * 7/2006 Boiten D24/155
D526,412 S * 8/2006 Harn et al. D24/155

DESCRIPTION

FIG. 1 is a perspective view of a prosthesis according to the present invention;
FIG. 2 is a front view thereof;
FIG. 3 is a rear view thereof;
FIG. 4 is a left side view thereof;
FIG. 5 is a right side view thereof;
FIG. 6 is a top view thereof; and,
FIG. 7 is a bottom view thereof.
The broken line showing is included for the purpose of illustrating environment and forms no part of the claimed design.

1 Claim, 7 Drawing Sheets



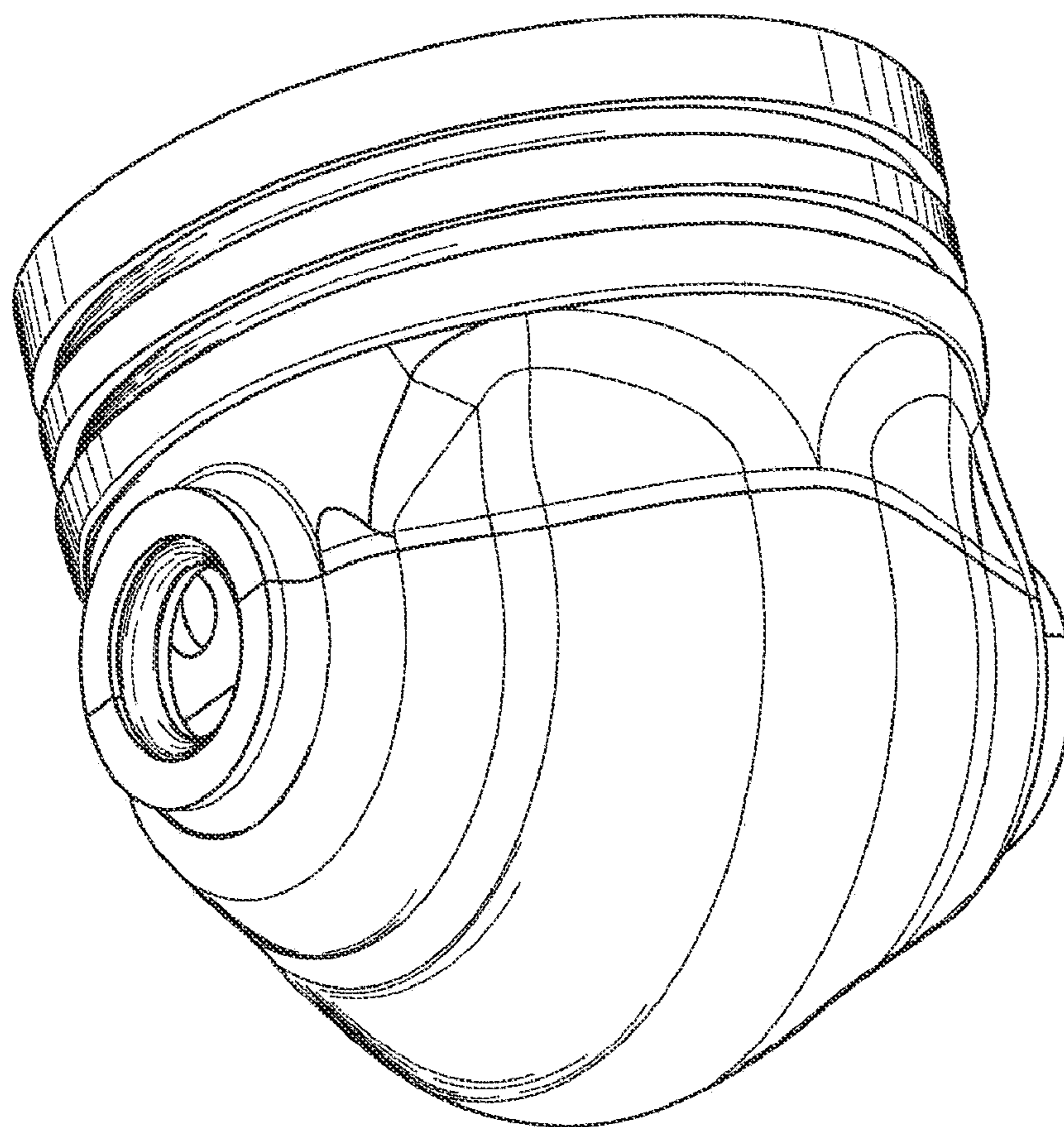


FIG. 1

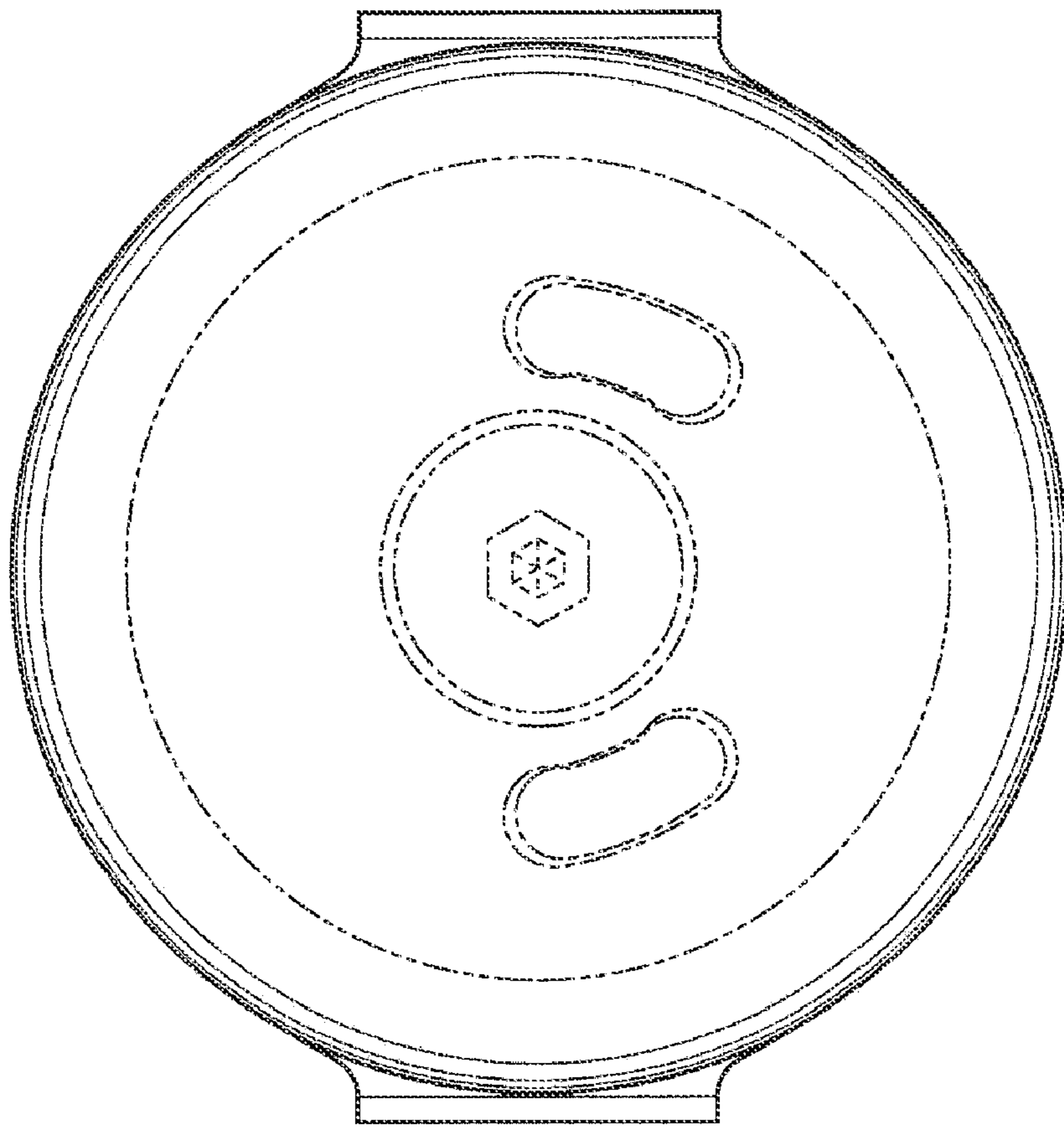


FIG. 2

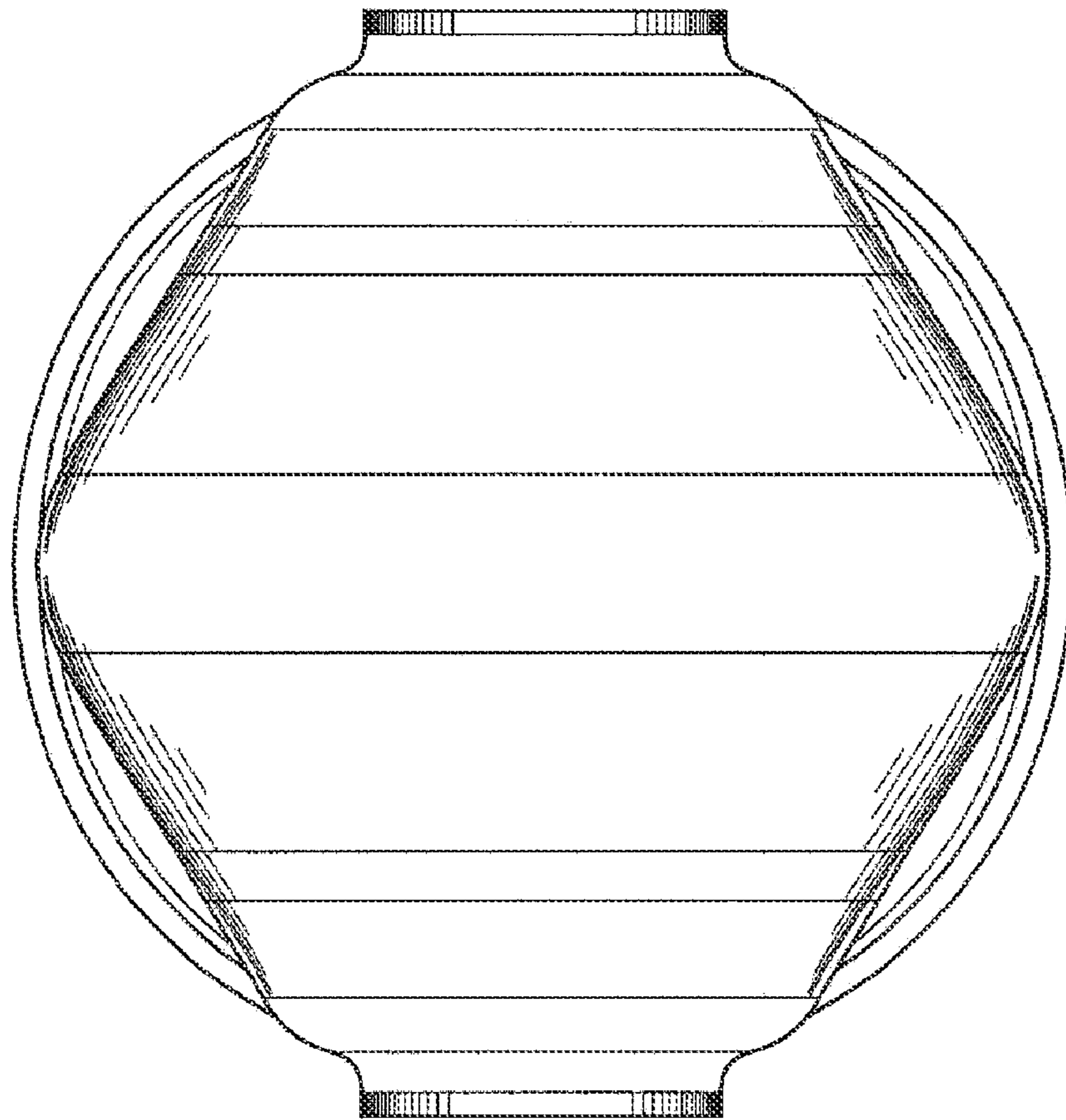


FIG. 3

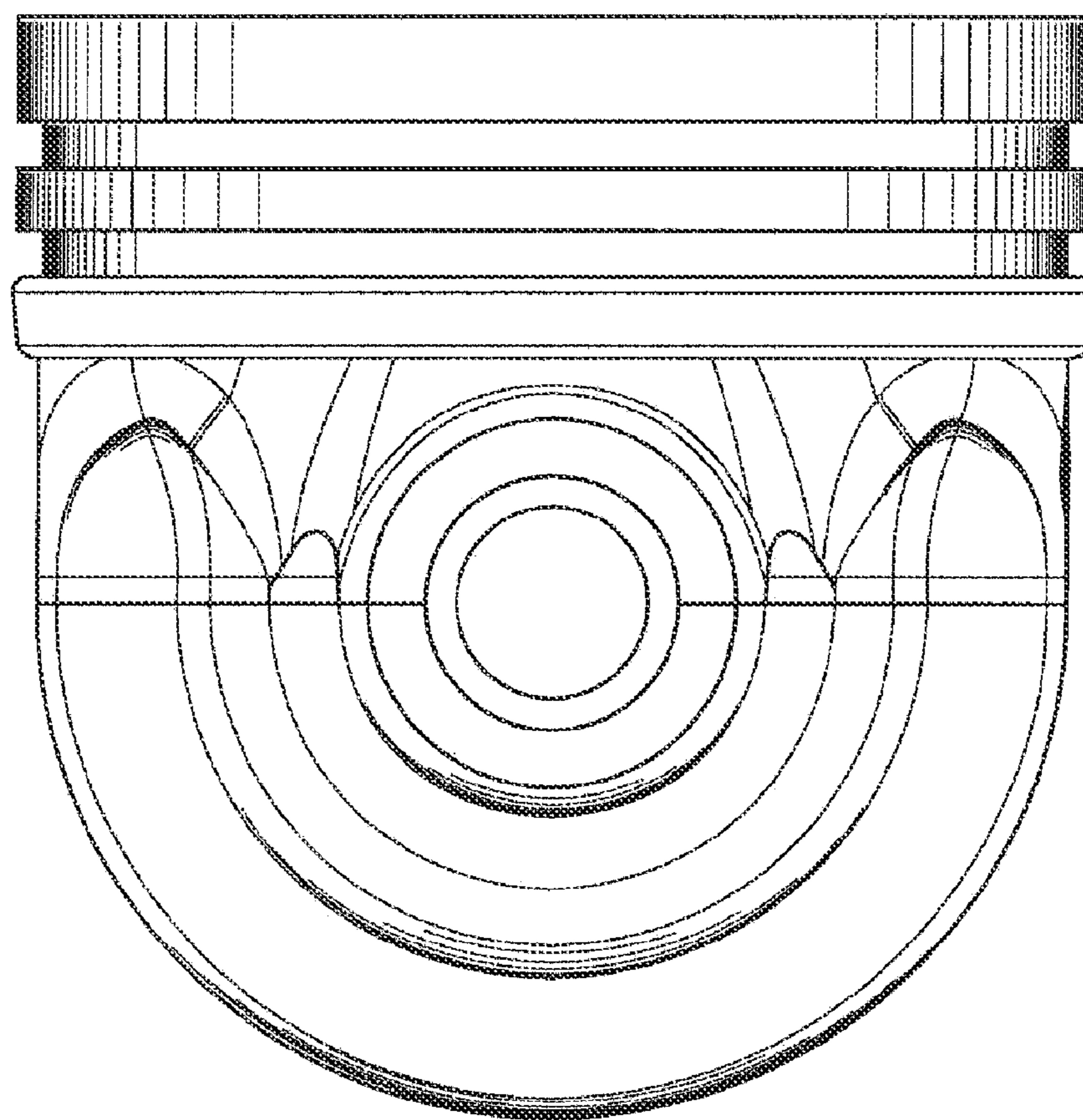


FIG. 4

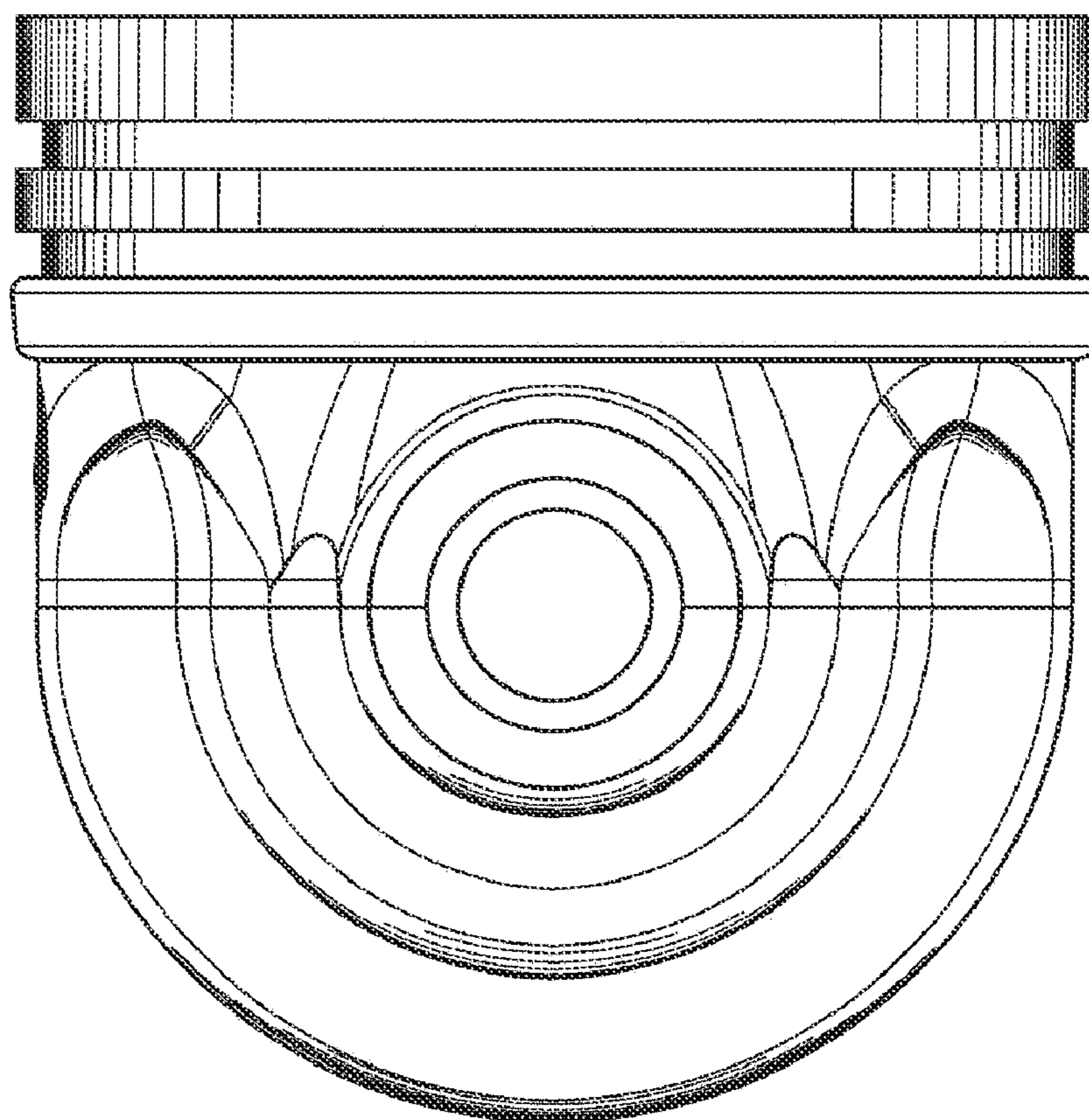


FIG. 5

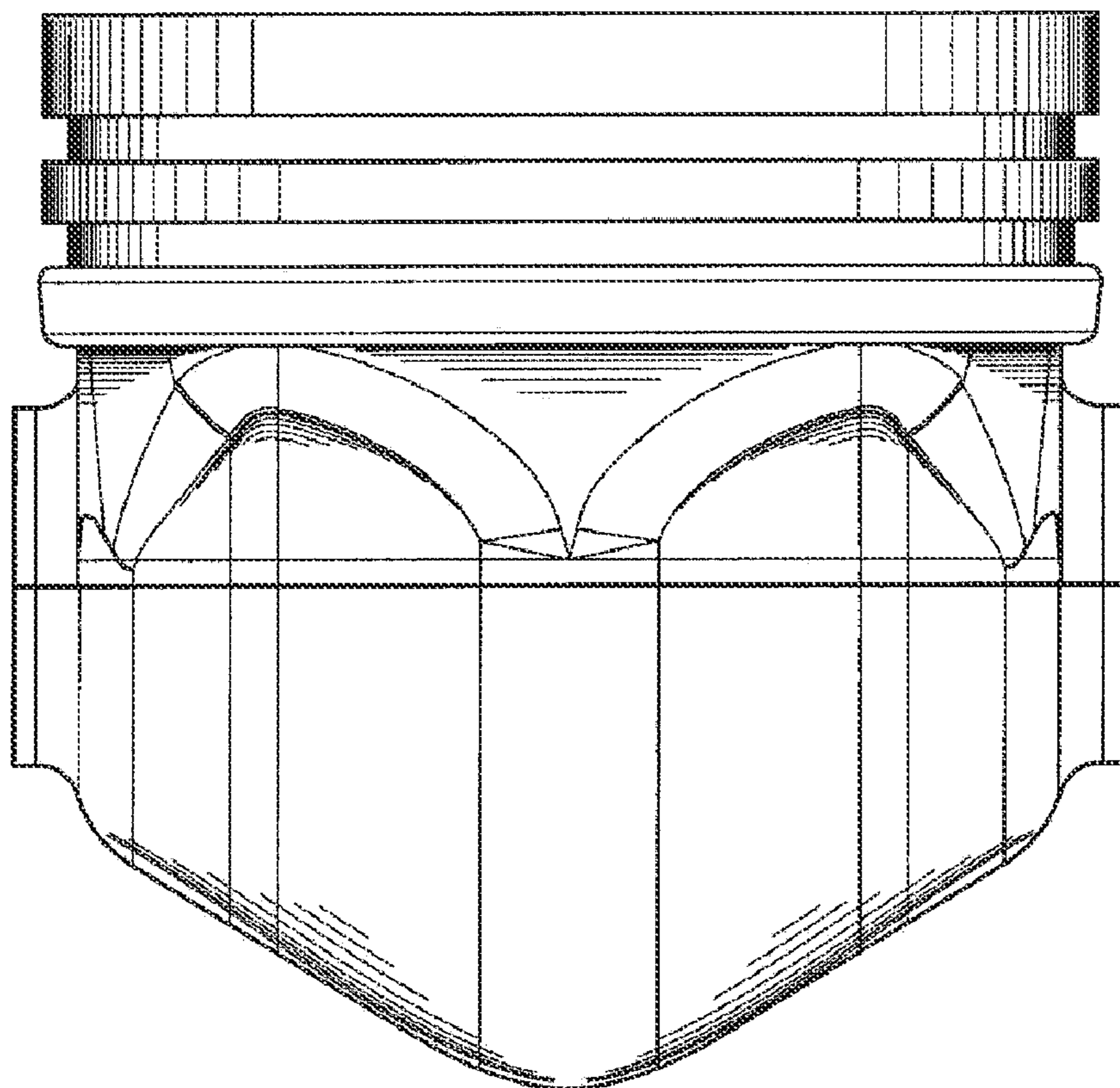


FIG. 6

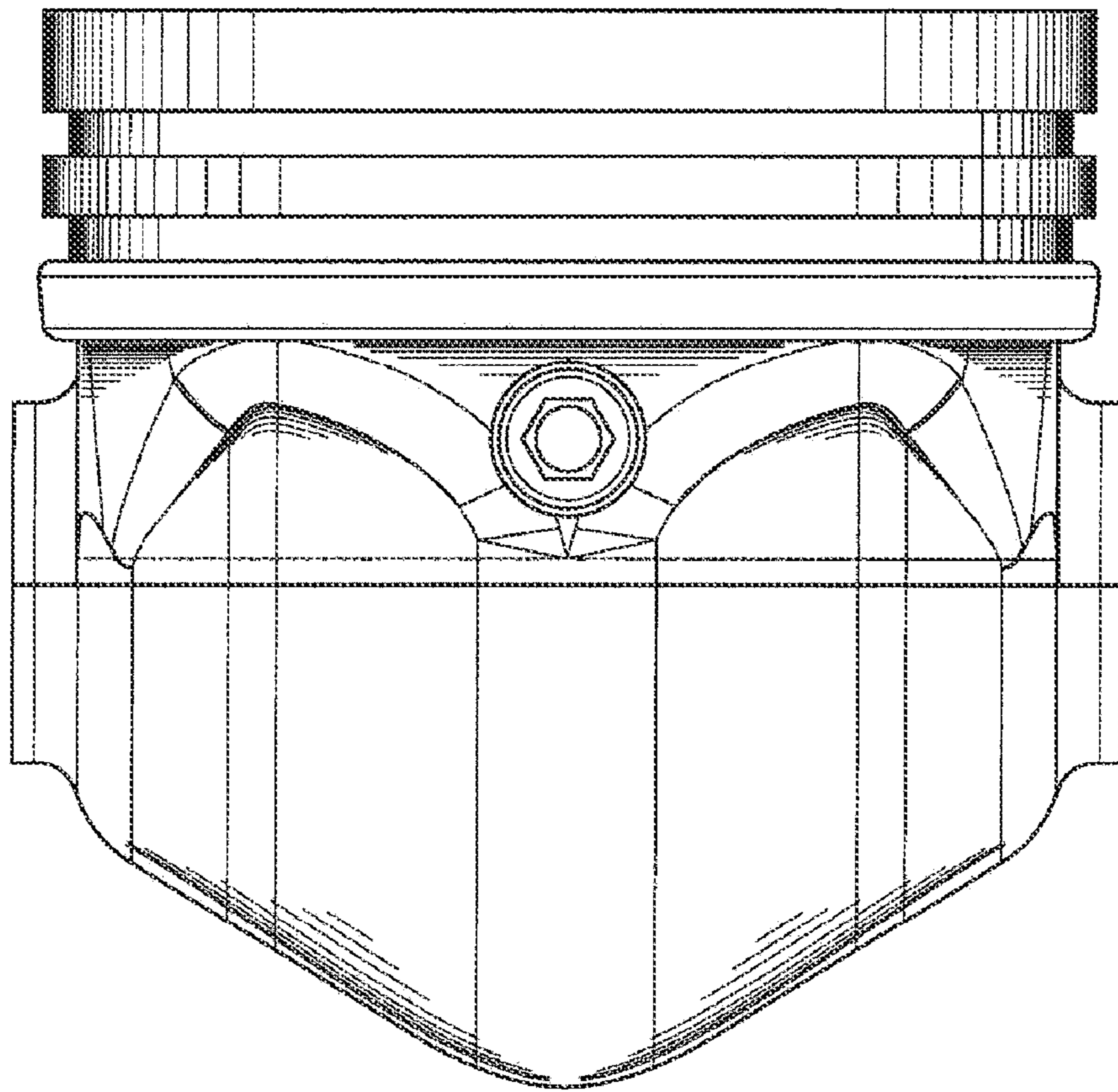


FIG. 7