



US00D657450S

(12) **United States Design Patent**
Lee et al.

(10) **Patent No.:** **US D657,450 S**

(45) **Date of Patent:** **** Apr. 10, 2012**

(54) **STRAPLESS RESPIRATORY MASK**

(75) Inventors: **Gary C. J. Lee**, I-Lan (TW);
Hsuan-Liang Kang, Shihlin Dist. (TW);
Shu-Ping Zou, Shihlin Dist. (TW)

(73) Assignee: **Galemed Corporation**, I-Lan (TW)

(**) Term: **14 Years**

(21) Appl. No.: **29/355,945**

(22) Filed: **Feb. 17, 2010**

(30) **Foreign Application Priority Data**

Dec. 18, 2009 (TW) 98306106

(51) **LOC (9) Cl.** **29-02**

(52) **U.S. Cl.** **D24/110.1; D24/110.4**

(58) **Field of Classification Search** D24/110,
D24/110.1, 110.4, 110.5; 128/206.11, 206.21,
128/206.25, 206.27, 206.28, 207.11, 207.13,
128/207.17

See application file for complete search history.

(56) **References Cited**

U.S. PATENT DOCUMENTS

D435,650 S * 12/2000 Kwok D24/110.1
D464,133 S * 10/2002 Barnett et al. D24/110.1

D570,474 S * 6/2008 Lin D24/110.1
D572,816 S * 7/2008 Lang et al. D24/110.1
D583,049 S * 12/2008 Chandran et al. D24/110.1
D584,400 S * 1/2009 McAuley et al. D24/110.1
7,556,043 B2 * 7/2009 Ho et al. 128/207.18

* cited by examiner

Primary Examiner — Ian Simmons

Assistant Examiner — Christopher Lee

(74) *Attorney, Agent, or Firm* — Merchant & Gould P.C.

(57) **CLAIM**

The ornamental design for a strapless respiratory mask, as shown and described.

DESCRIPTION

FIG. 1 is a perspective view of strapless respiratory mask showing my new design;

FIG. 2 is a front elevational view thereof;

FIG. 3 is a rear elevational view thereof;

FIG. 4 is a left side elevational view thereof;

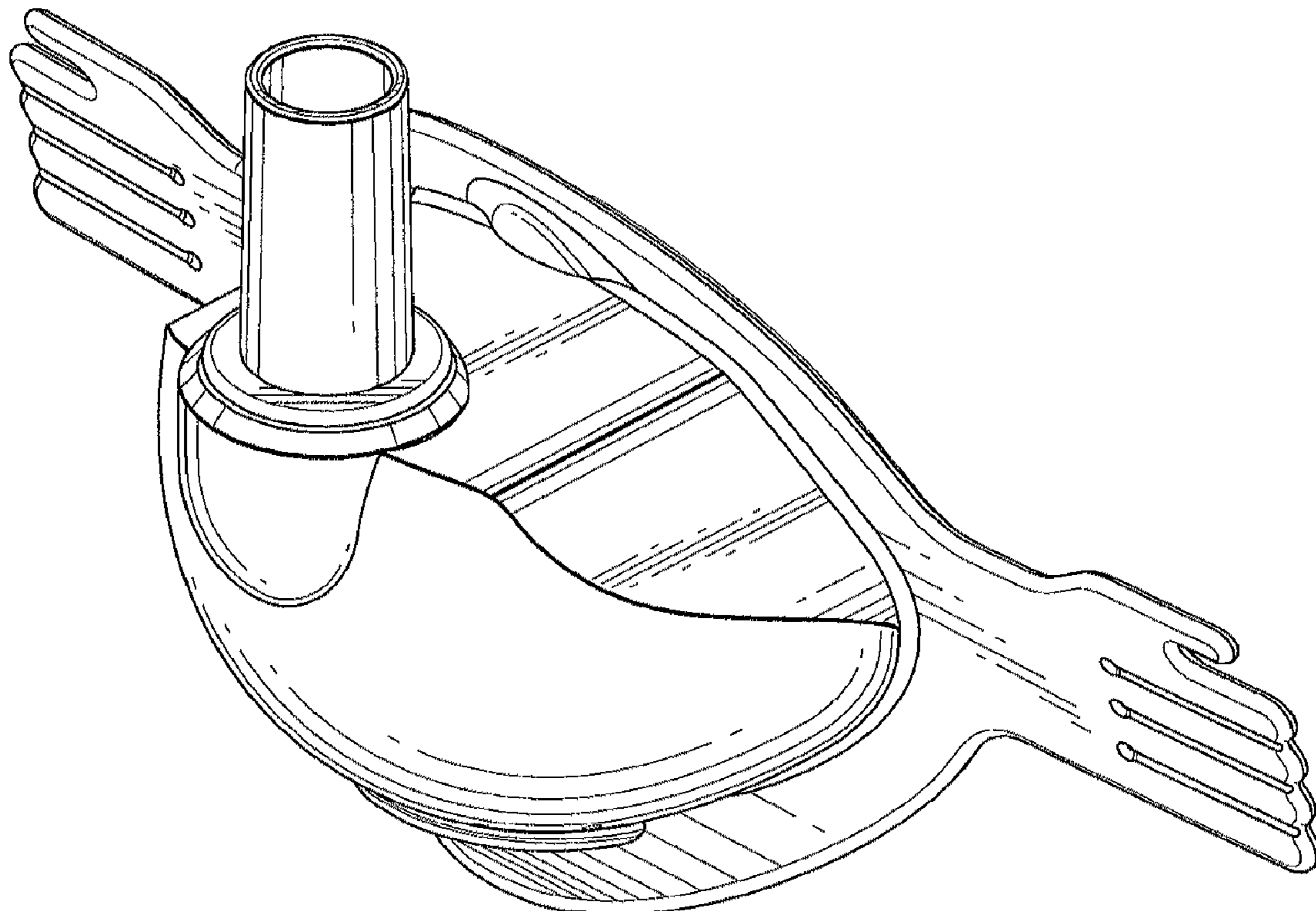
FIG. 5 is a right side elevational view thereof;

FIG. 6 is a top plan view thereof; and,

FIG. 7 is a bottom plan view thereof.

The broken lines in FIG. 3 are included for the purpose of illustrating a portion of the strapless respiratory mask that forms no part of the claimed design.

1 Claim, 4 Drawing Sheets



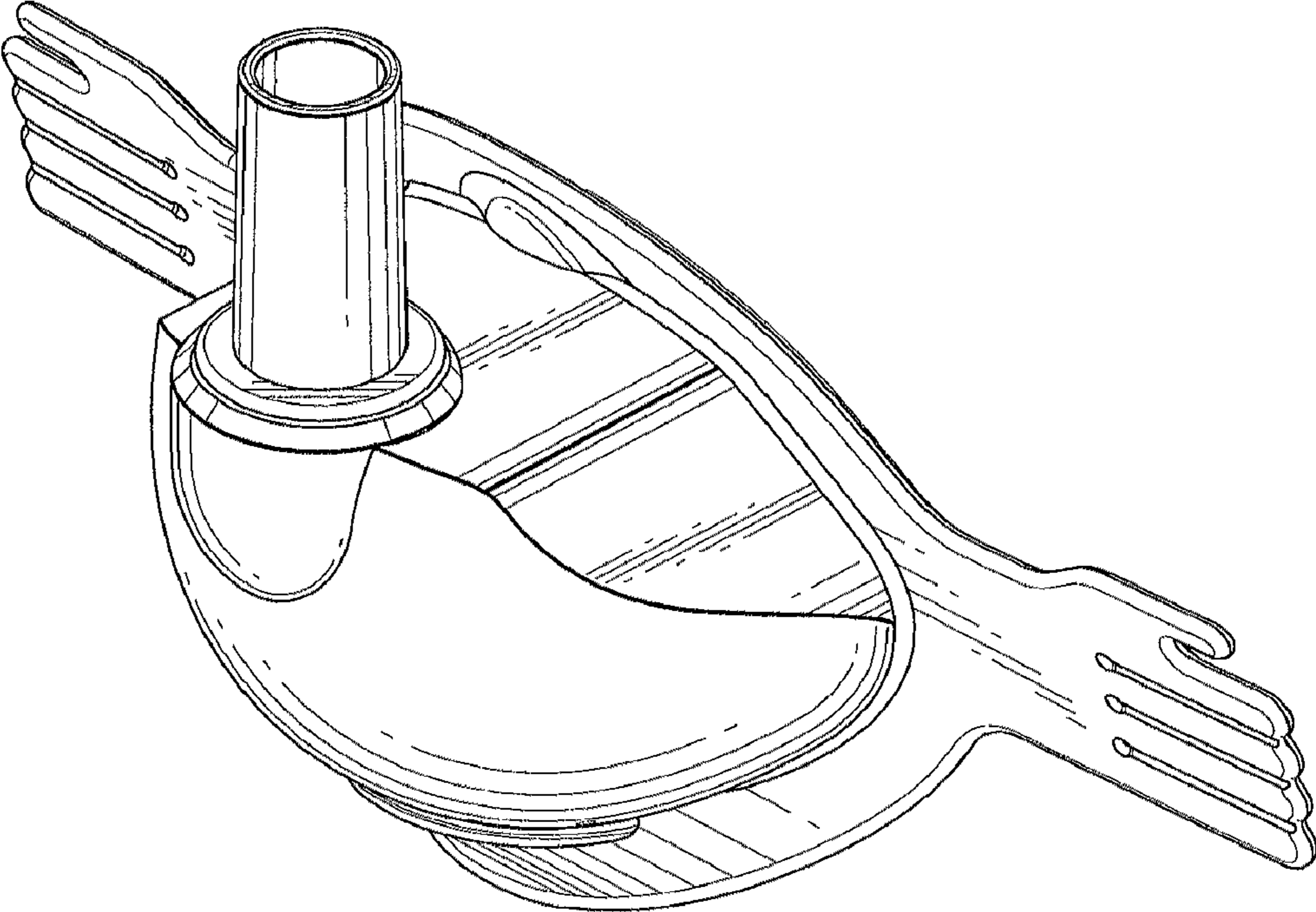


FIG. 1

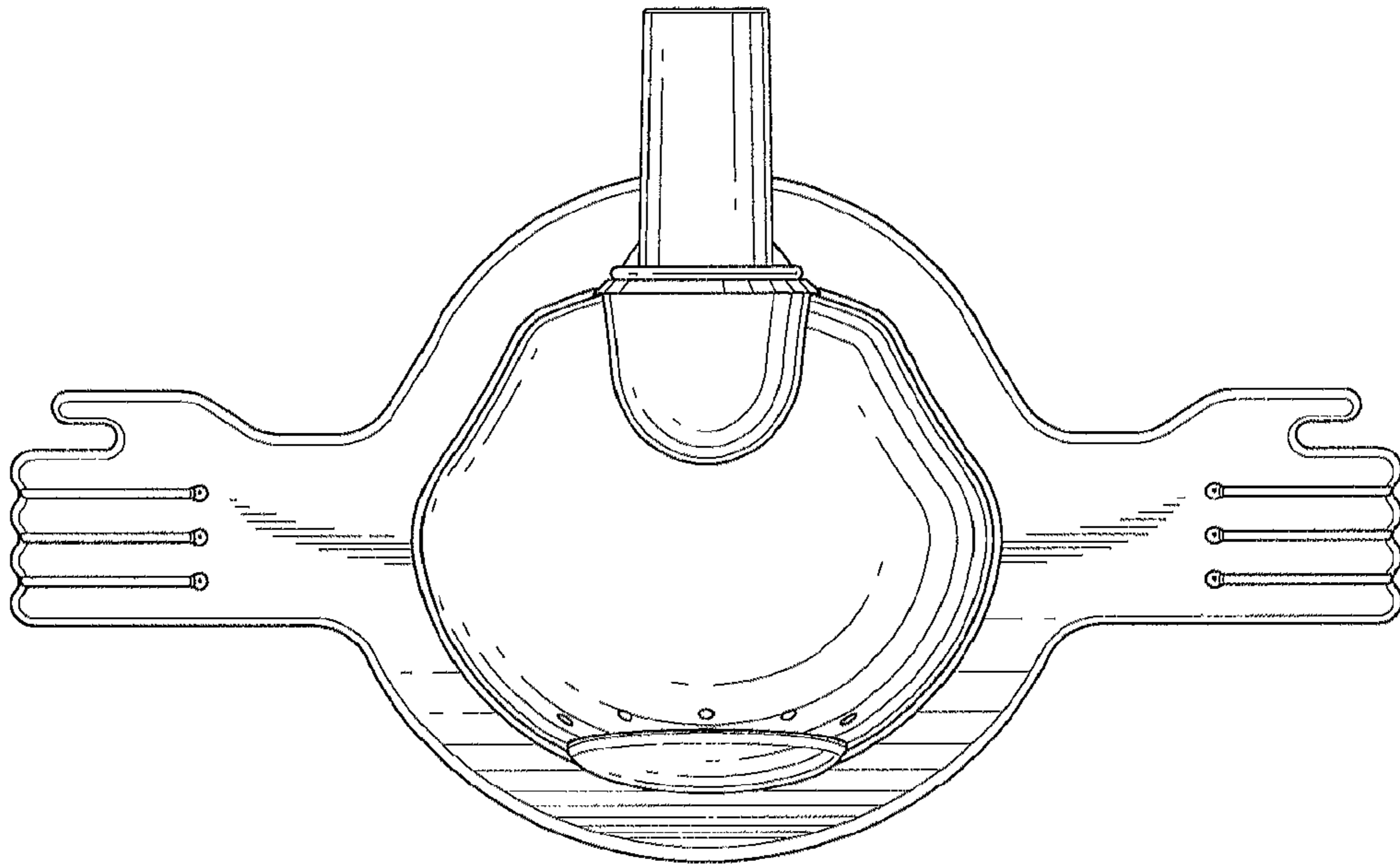


FIG. 2

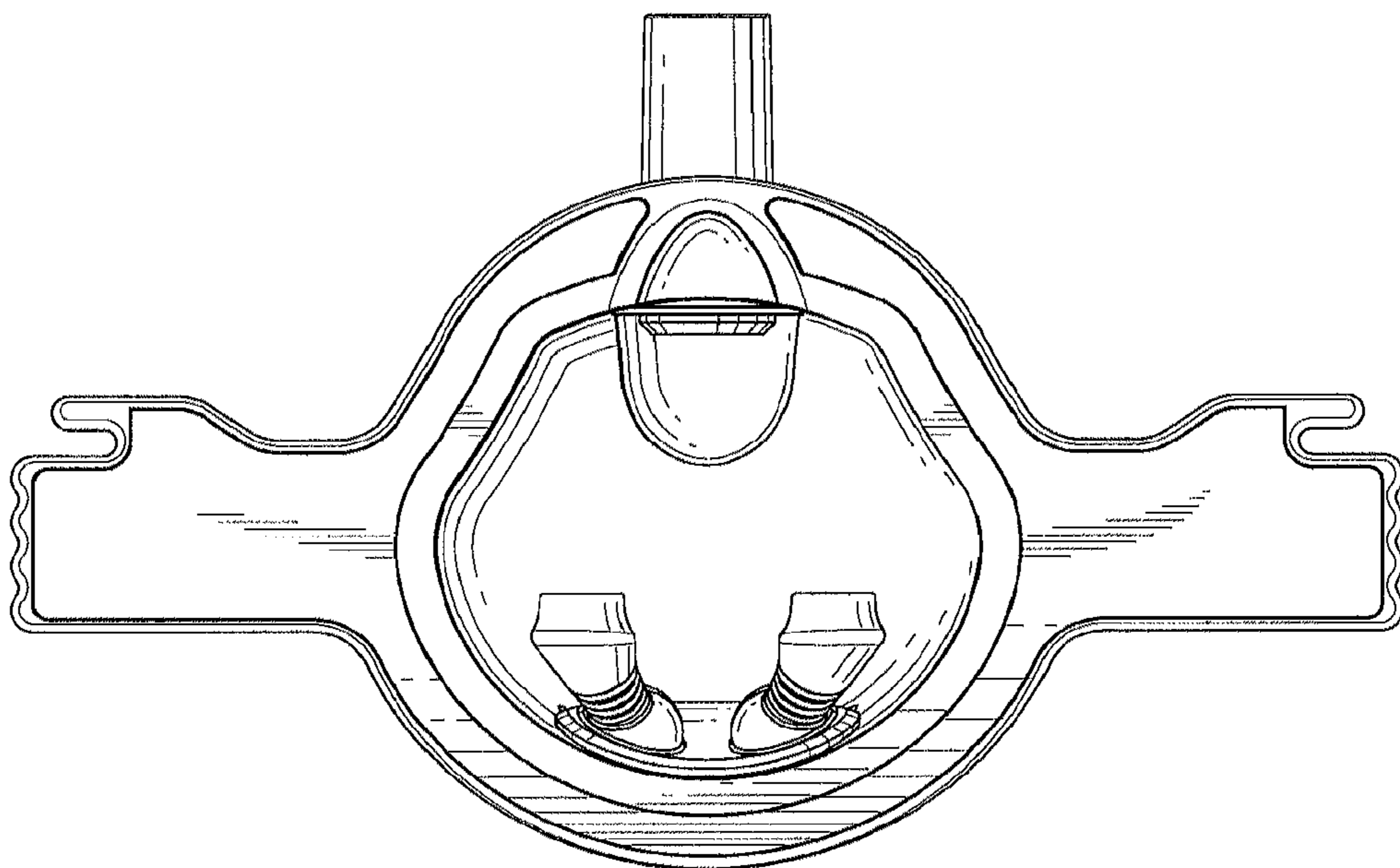


FIG. 3

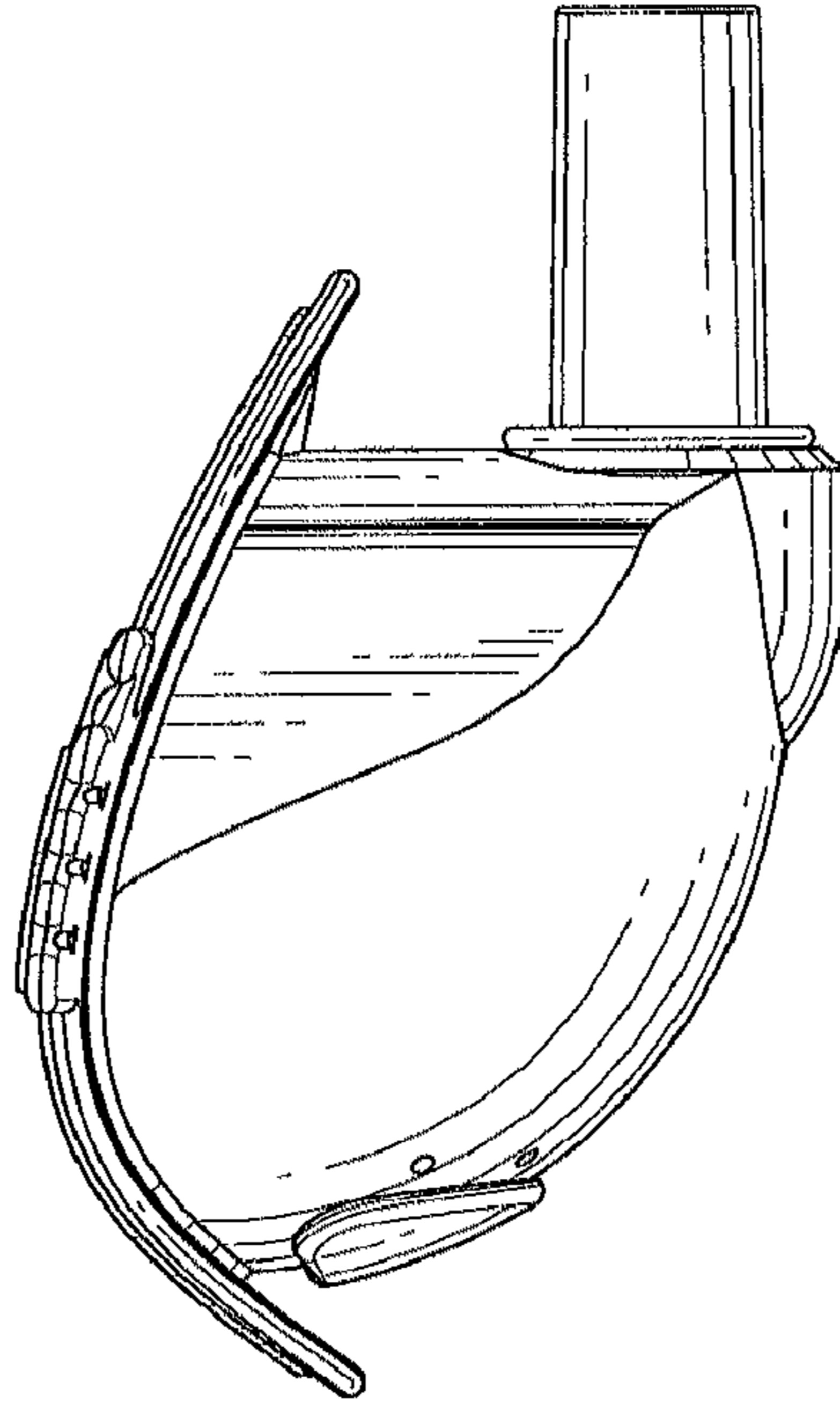


FIG. 4

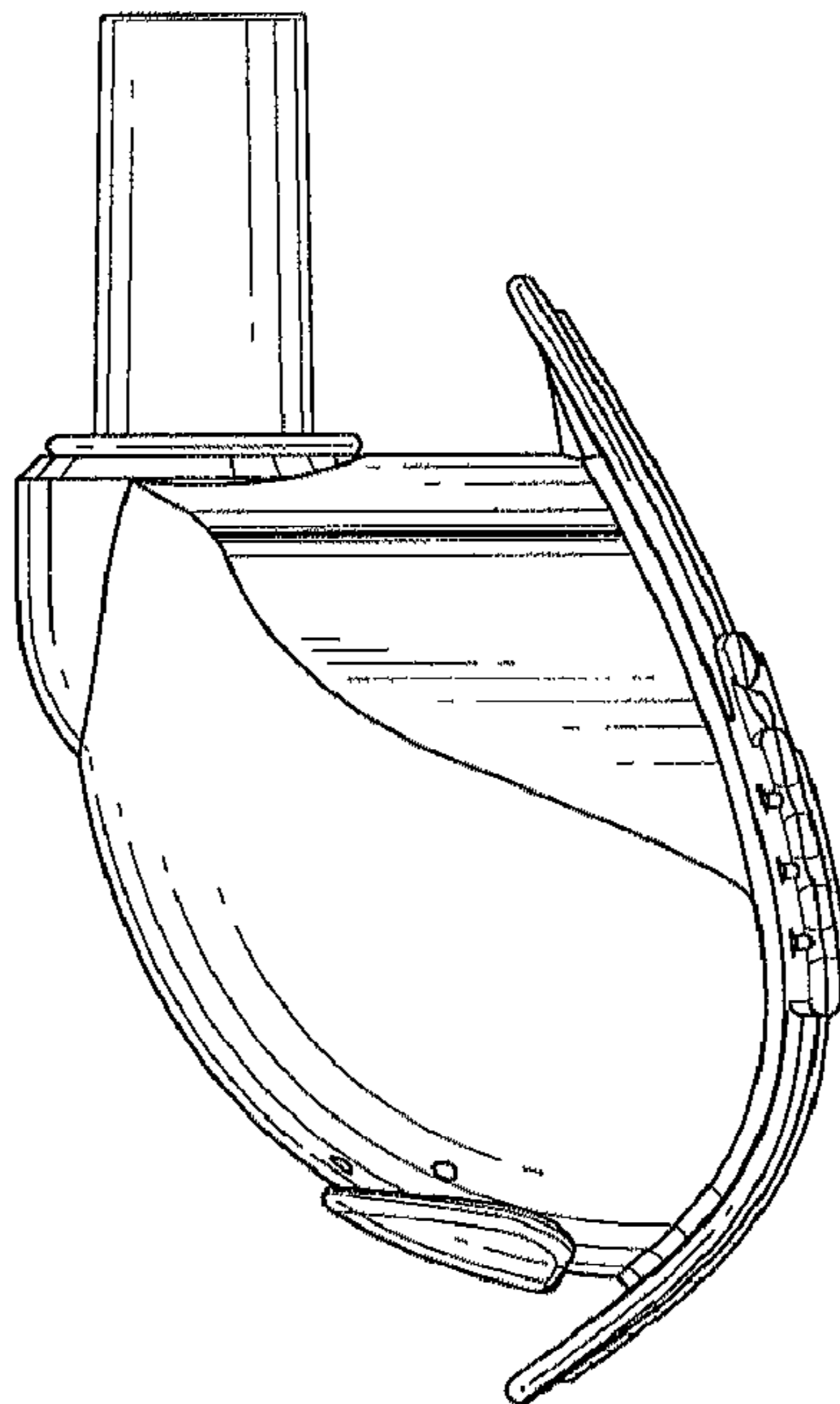


FIG. 5

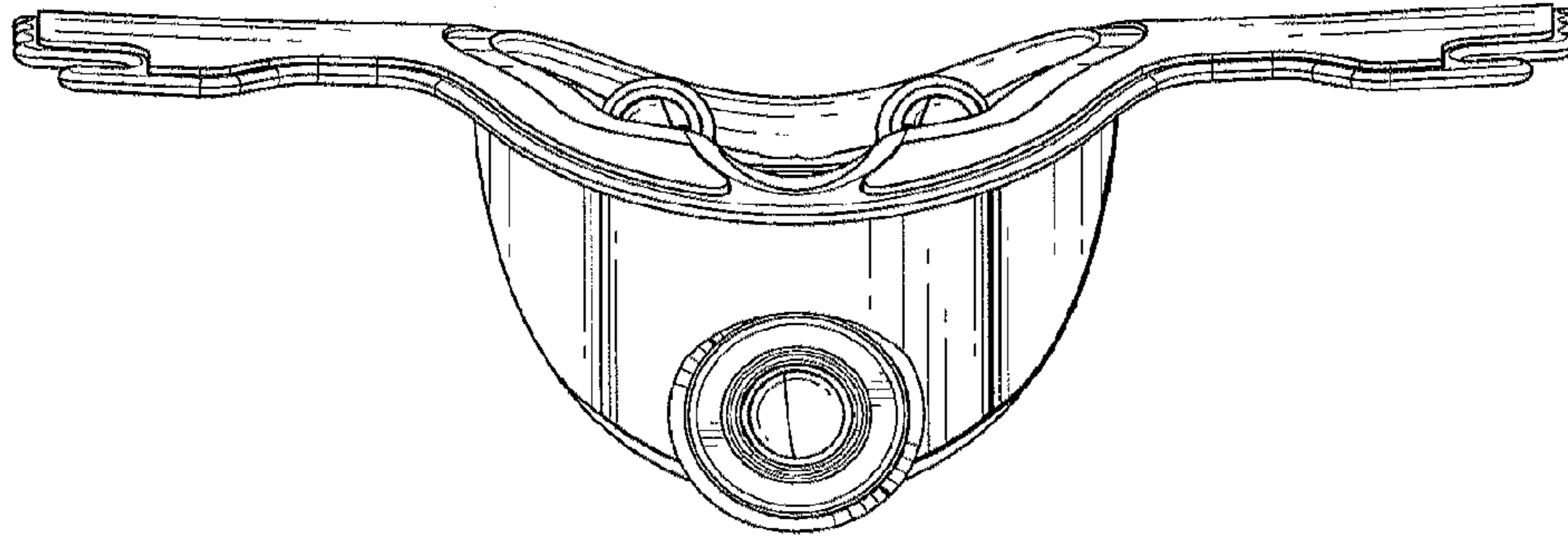


FIG. 6

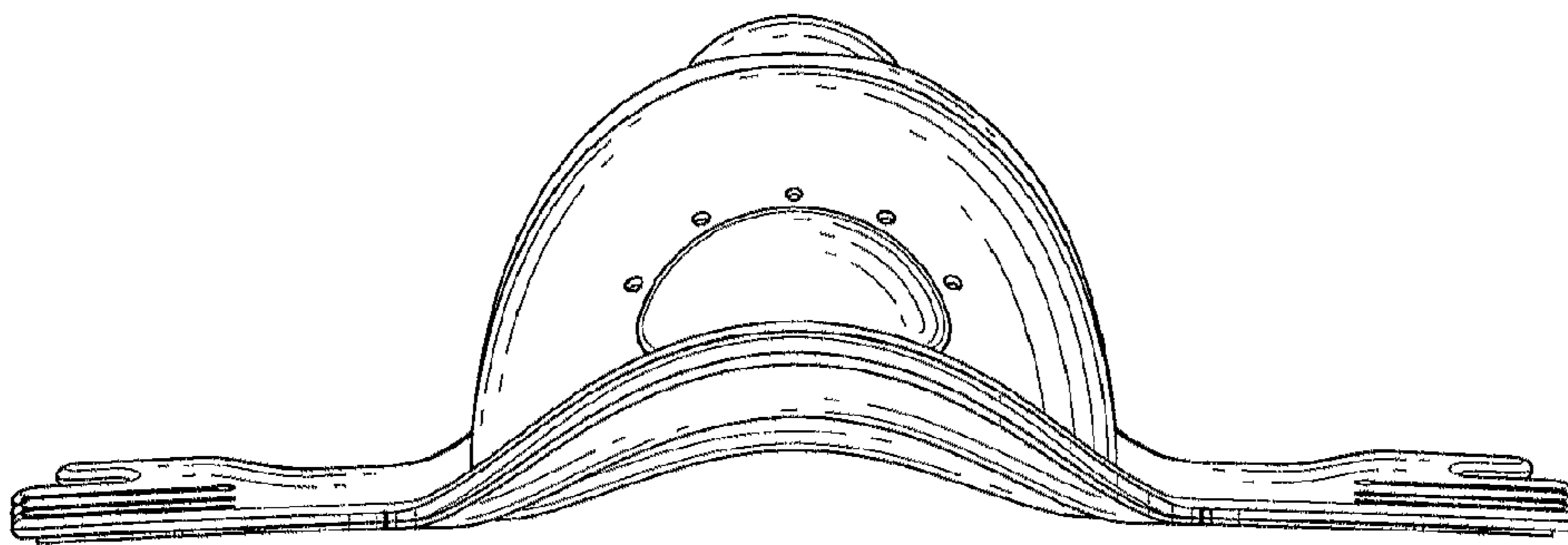


FIG. 7

UNITED STATES PATENT AND TRADEMARK OFFICE
CERTIFICATE OF CORRECTION

PATENT NO. : D657,450 S
APPLICATION NO. : 29/355945
DATED : April 10, 2012
INVENTOR(S) : Lee et al.

Page 1 of 1

It is certified that error appears in the above-identified patent and that said Letters Patent is hereby corrected as shown below:

In the Drawings:

Fig. 2 & 3 should be replaced with the corrected Fig. 2 & 3 as shown here.

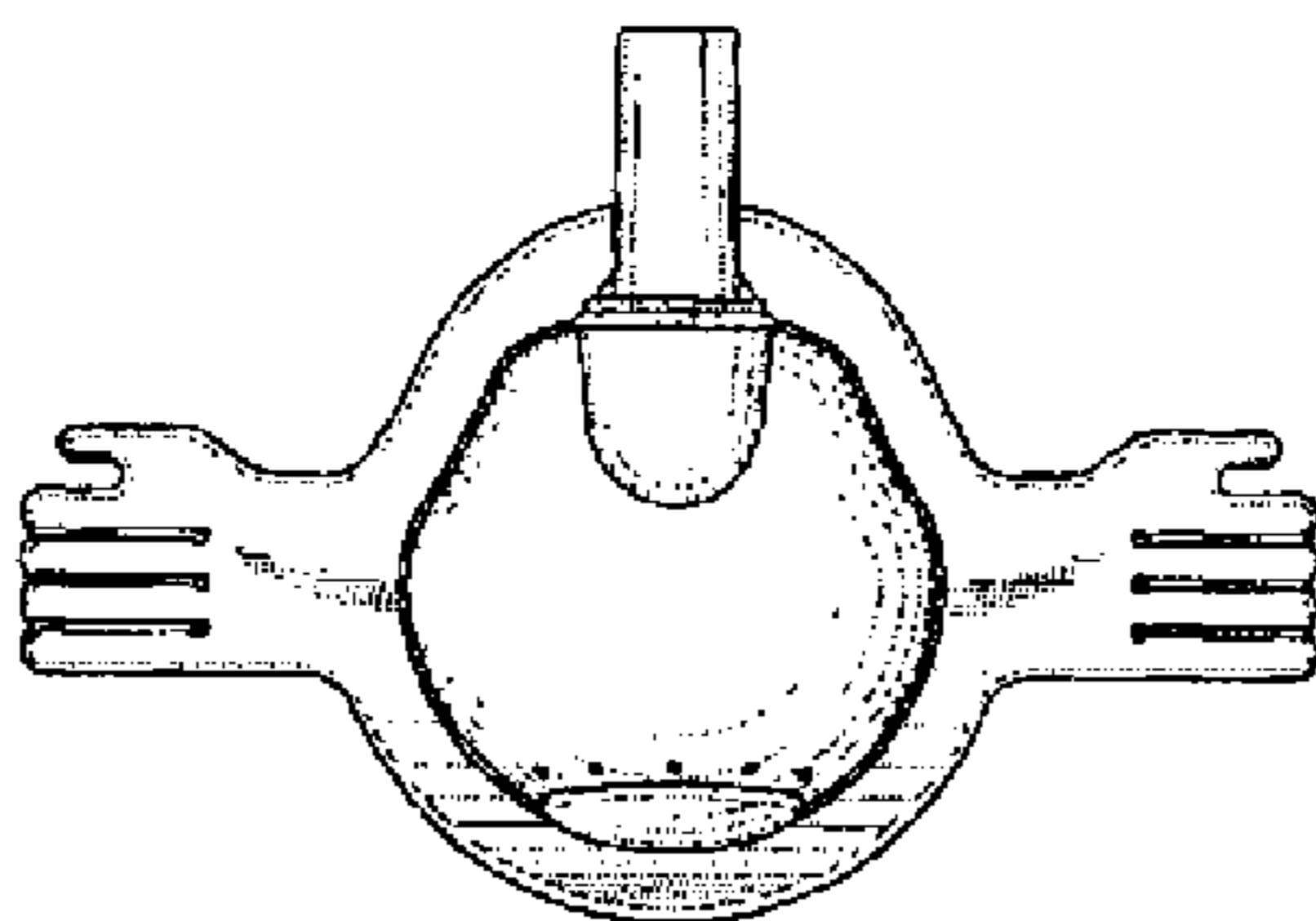


FIG. 2

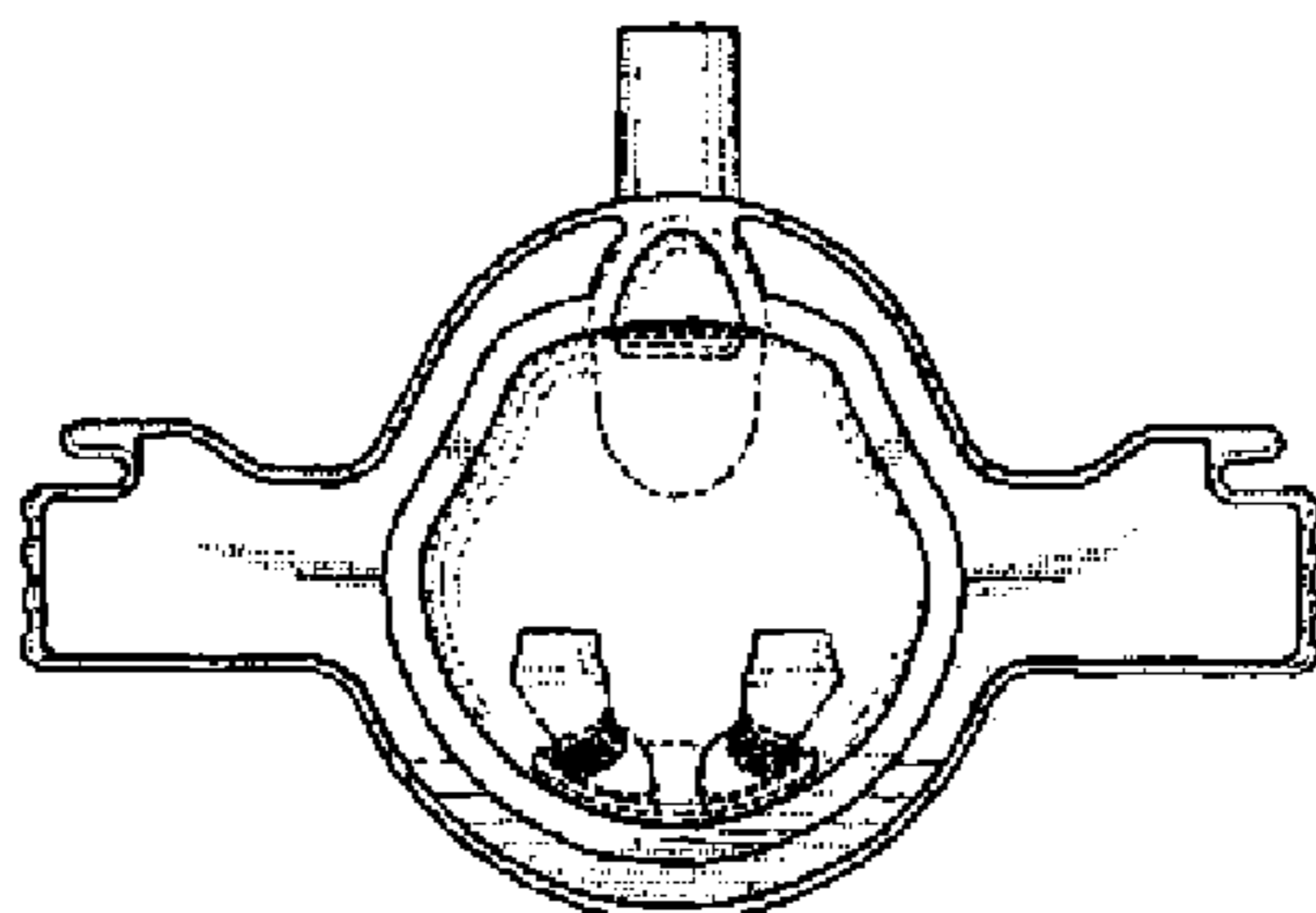


FIG. 3

Signed and Sealed this
Twenty-fifth Day of February, 2014

Michelle K. Lee

Michelle K. Lee
Deputy Director of the United States Patent and Trademark Office