



US00D657448S

(12) **United States Design Patent**
Herfort

(10) **Patent No.:** **US D657,448 S**

(45) **Date of Patent:** **** Apr. 10, 2012**

(54) **INHALER**

(75) Inventor: **Sergej Herfort**, Münster (DE)

(73) Assignee: **Ing. Erich Pfeiffer GmbH** (DE)

(**) Term: **14 Years**

(21) Appl. No.: **29/388,824**

(22) Filed: **Apr. 1, 2011**

(30) **Foreign Application Priority Data**

Oct. 5, 2010 (EM) 001237945-0002

(51) **LOC (9) Cl.** **29-02**

(52) **U.S. Cl.** **D24/110**

(58) **Field of Classification Search** D24/110;
128/203.15, 203.21, 200.14, 200.23, 205.24
See application file for complete search history.

(56) **References Cited**

U.S. PATENT DOCUMENTS

- 5,363,842 A 11/1994 Mishevich et al.
- 5,544,647 A 8/1996 Jewett et al.
- 5,809,997 A 9/1998 Wolf
- D449,882 S * 10/2001 Chrstrup et al. D24/110
- D455,208 S * 4/2002 Bacon et al. D24/110

- D461,239 S * 8/2002 Cassidy D24/110
- D475,133 S * 5/2003 McLuckie D24/110
- D480,474 S * 10/2003 Bowman et al. D24/110
- D511,208 S * 11/2005 Pardonge et al. D24/110
- D610,249 S * 2/2010 Robinson D24/110
- D629,504 S * 12/2010 Zuyderhoudt D24/110
- 2007/0084462 A1 4/2007 Allen et al.

* cited by examiner

Primary Examiner — Ian Simmons

Assistant Examiner — Christopher Lee

(74) *Attorney, Agent, or Firm* — Akerman Senterfitt

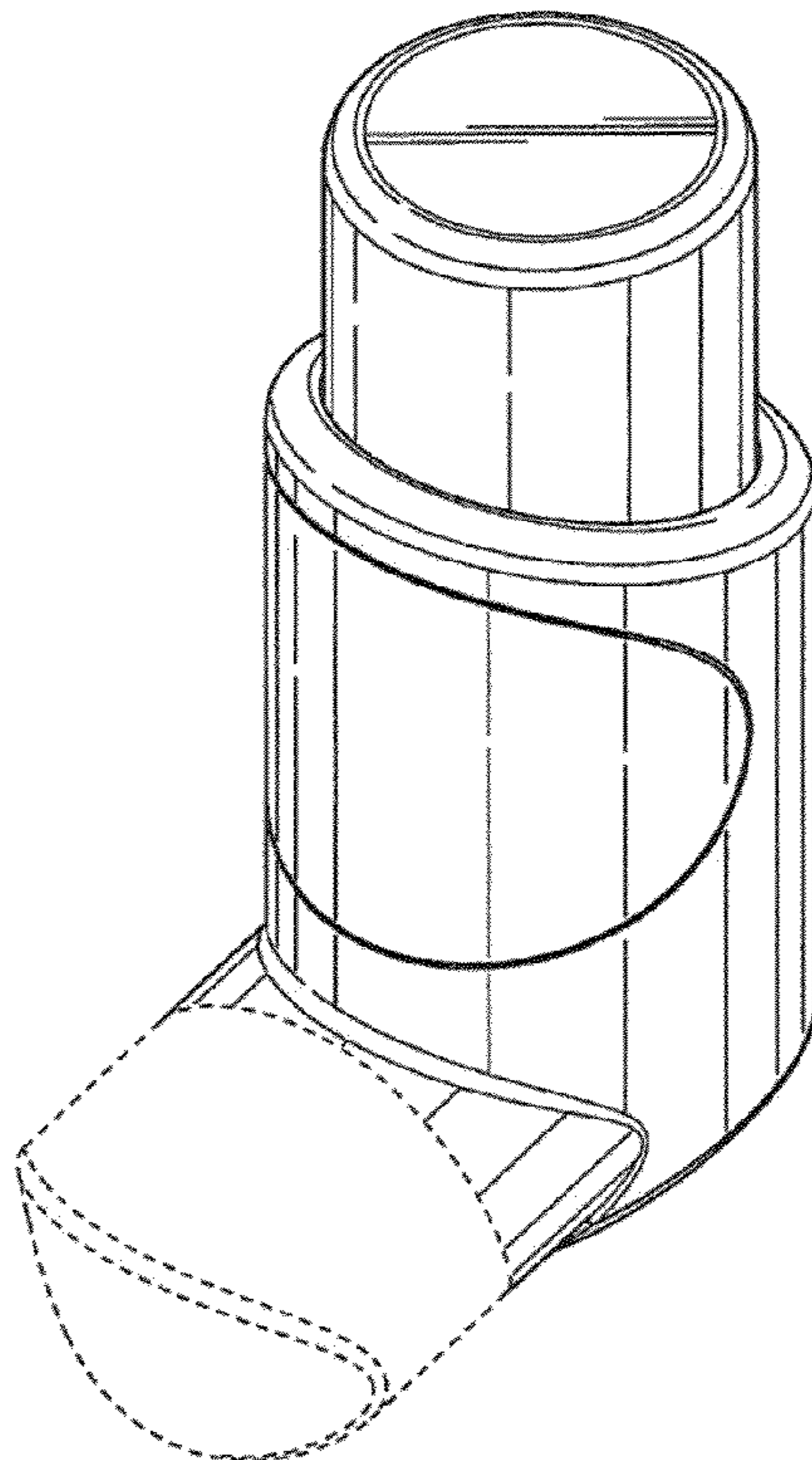
(57) **CLAIM**

The ornamental design for an inhaler, as shown and described.

DESCRIPTION

FIG. 1 is a side perspective view of the inhaler;
 FIG. 2 is a front elevation view thereof;
 FIG. 3 is a rear elevation view thereof;
 FIG. 4 is a side elevation view thereof (the opposite side being a mirror image);
 FIG. 5 is a top plan view thereof; and,
 FIG. 6 is a bottom plan view thereof.
 The parts of the drawings shown in dotted lines are for illustrative purposes only.

1 Claim, 6 Drawing Sheets



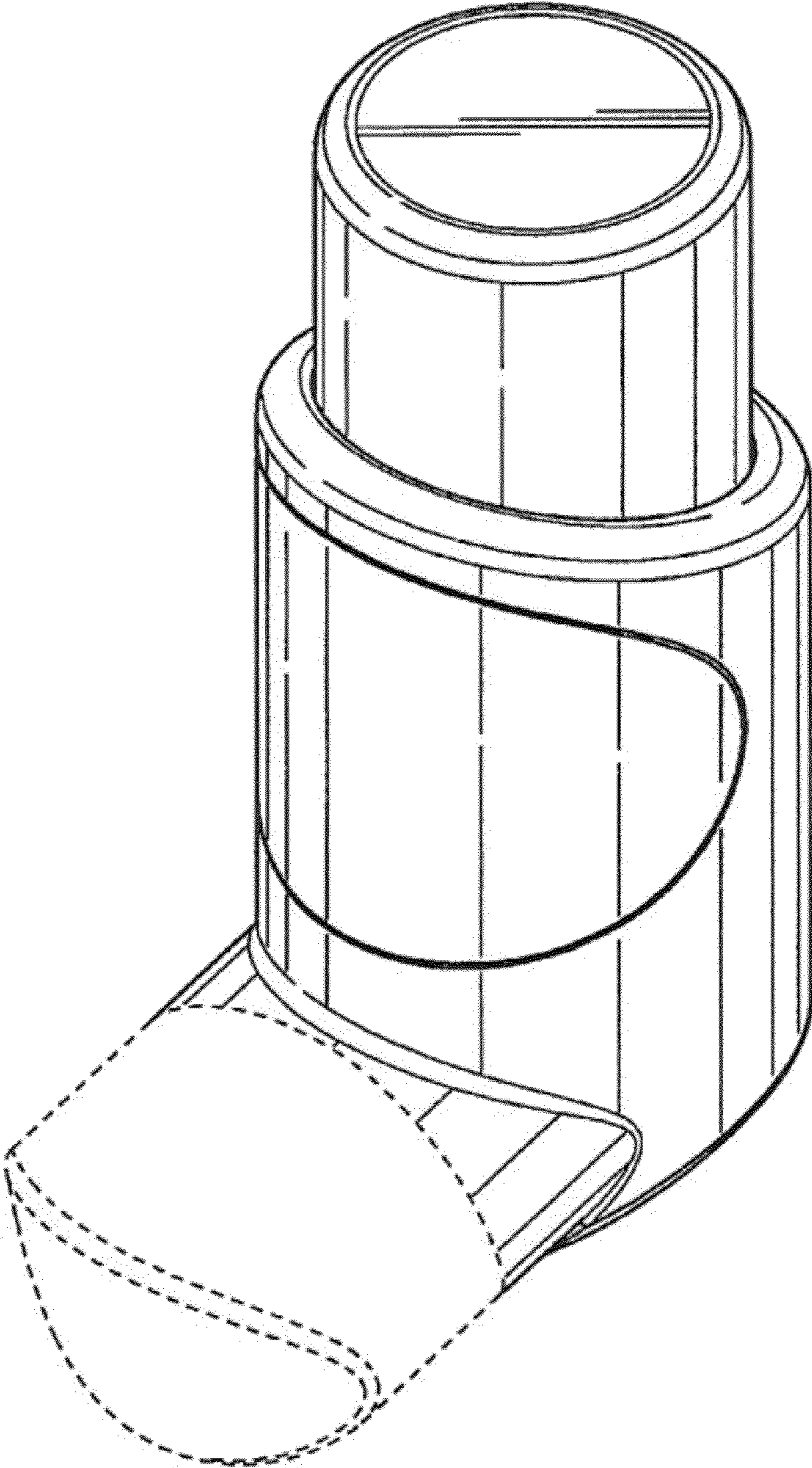


FIG. 1

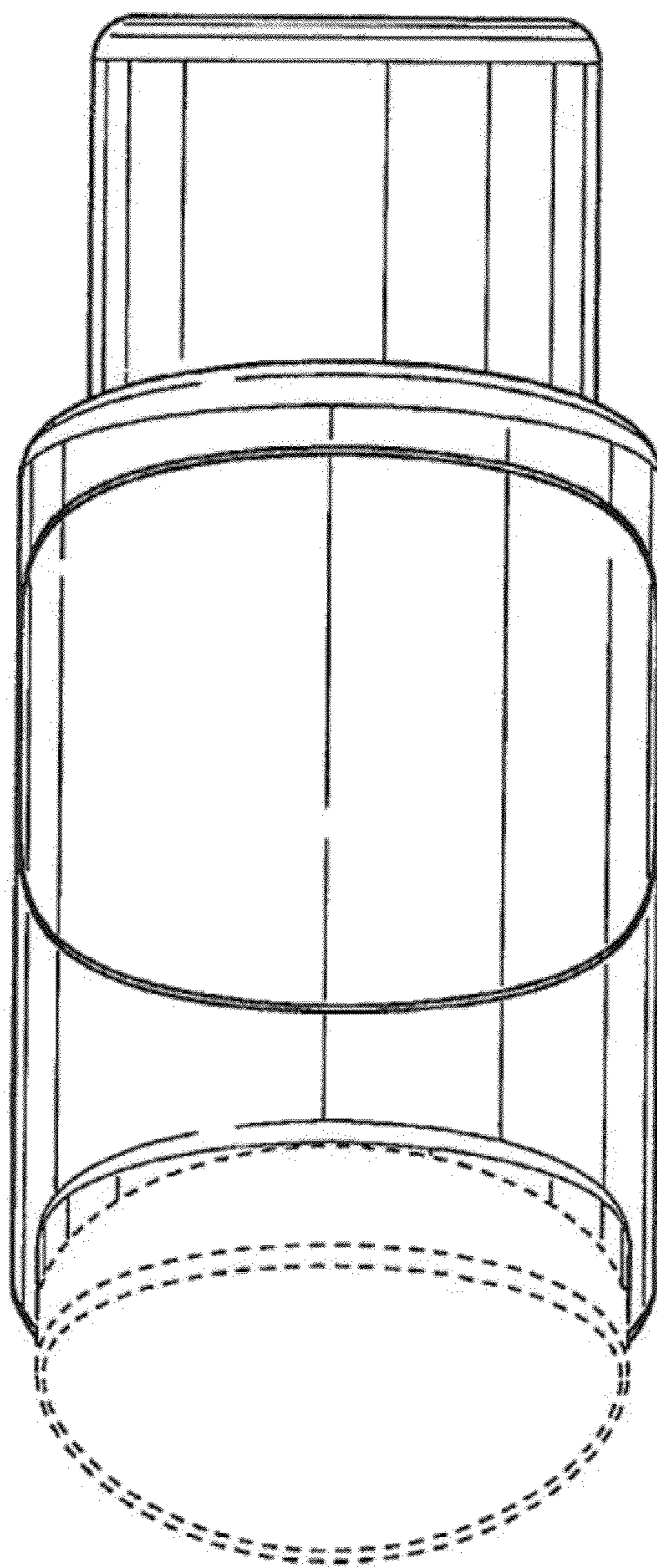


FIG. 2

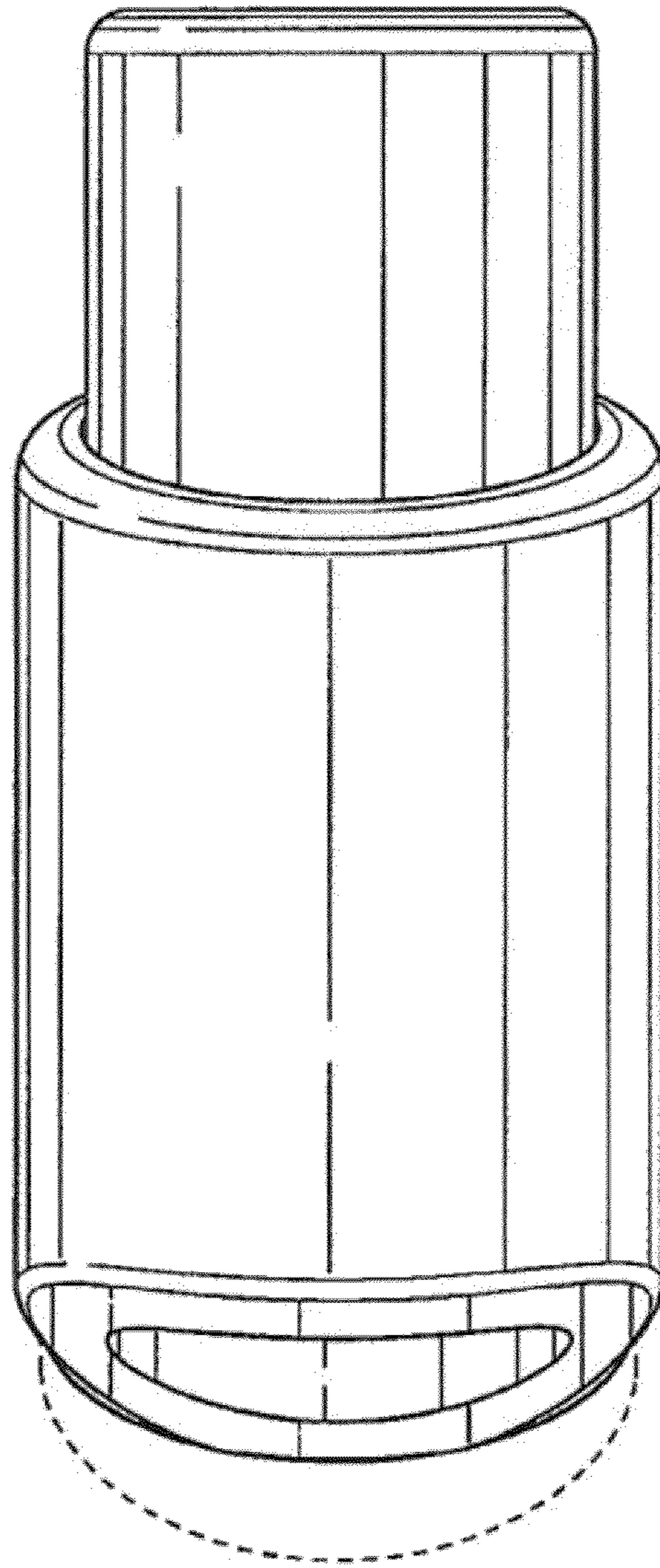


FIG. 3

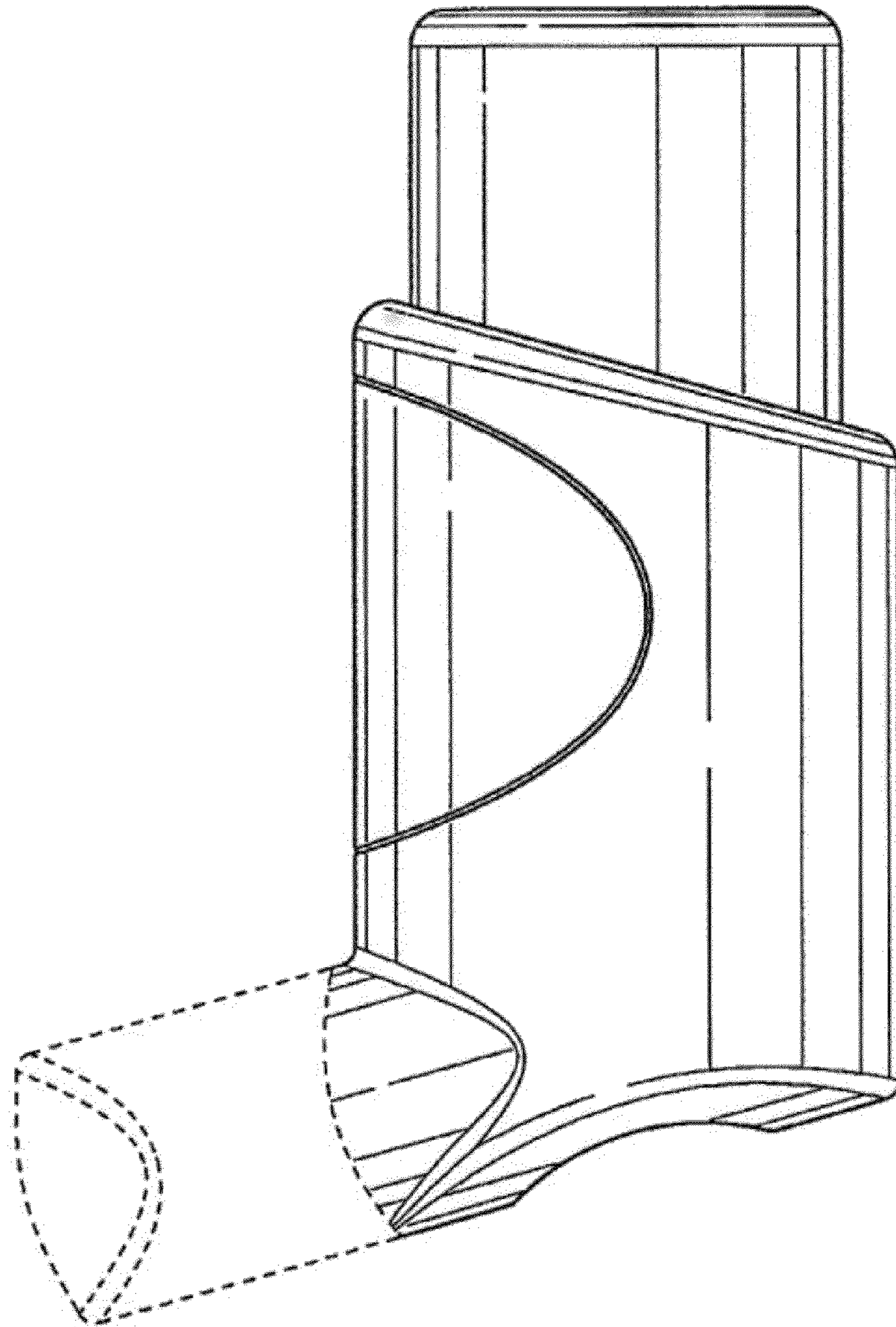


FIG. 4

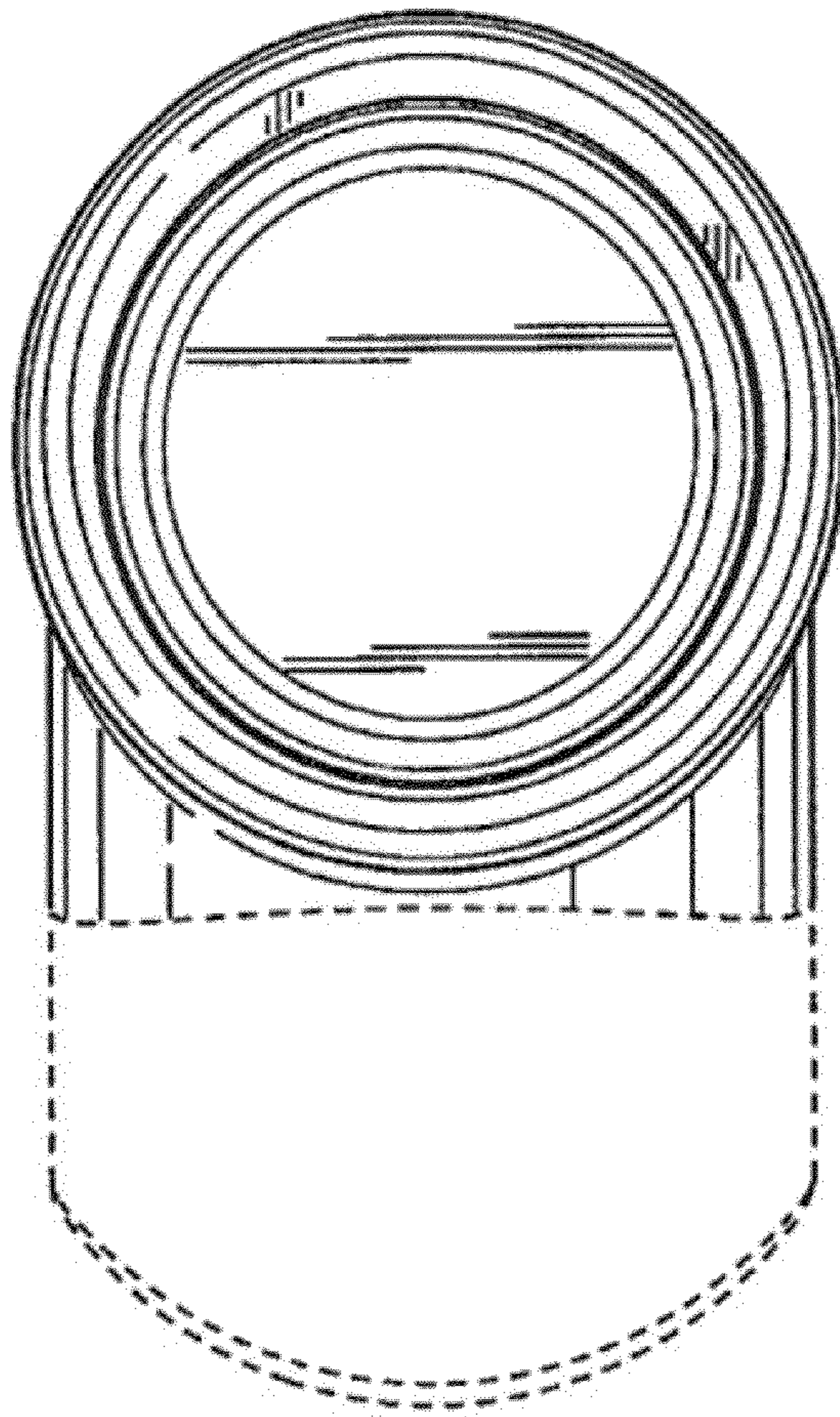


FIG. 5

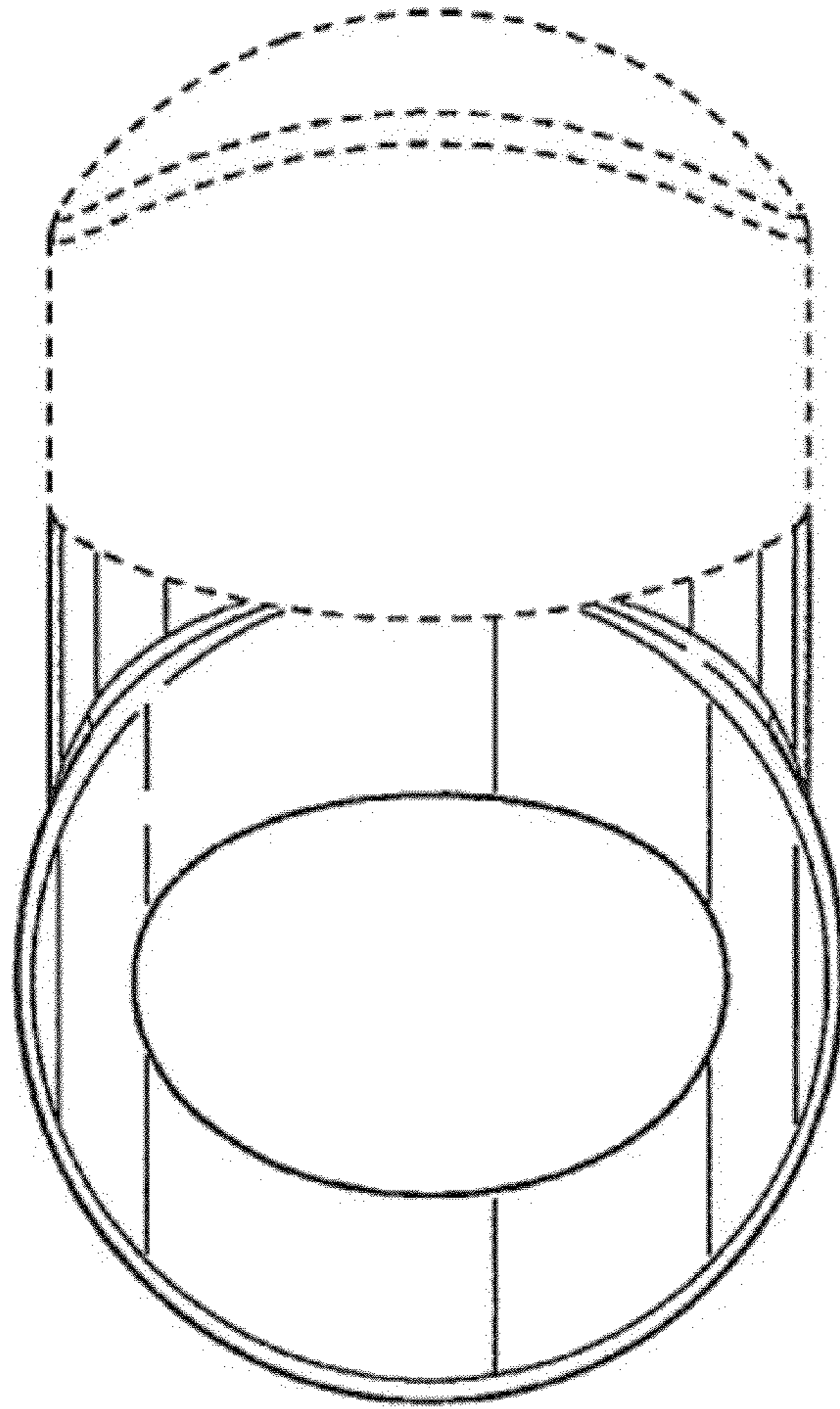


FIG. 6