



US00D657447S

(12) **United States Design Patent**
Herfort

(10) **Patent No.:** **US D657,447 S**

(45) **Date of Patent:** **** Apr. 10, 2012**

(54) **INHALER**

(75) **Inventor:** **Sergej Herfort, Münster (DE)**

(73) **Assignee:** **Ing. Erich Pfeiffer GmbH (DE)**

(**) **Term:** **14 Years**

(21) **Appl. No.:** **29/388,809**

(22) **Filed:** **Apr. 1, 2011**

(30) **Foreign Application Priority Data**

Oct. 5, 2010 (EM) 001237945-0008

(51) **LOC (9) Cl.** **29-02**

(52) **U.S. Cl.** **D24/110**

(58) **Field of Classification Search** D24/110;
128/203.15, 203.21, 200.14, 200.23, 205.24

See application file for complete search history.

(56) **References Cited**

U.S. PATENT DOCUMENTS

5,363,842 A 11/1994 Mischelevich et al.
5,544,647 A 8/1996 Jewett et al.
5,809,997 A 9/1998 Wolf

D449,882 S * 10/2001 Chrstrup et al. D24/110
D455,208 S * 4/2002 Bacon et al. D24/110
D461,239 S * 8/2002 Cassidy D24/110
D475,133 S * 5/2003 McLuckie D24/110
D480,474 S * 10/2003 Bowman et al. D24/110
D511,208 S * 11/2005 Pardonge et al. D24/110
D610,249 S * 2/2010 Robinson D24/110
D629,504 S * 12/2010 Zuyderhoudt D24/110
2007/0084462 A1 4/2007 Allen et al.

* cited by examiner

Primary Examiner — Ian Simmons

Assistant Examiner — Christopher Lee

(74) *Attorney, Agent, or Firm* — Akerman Senterfitt

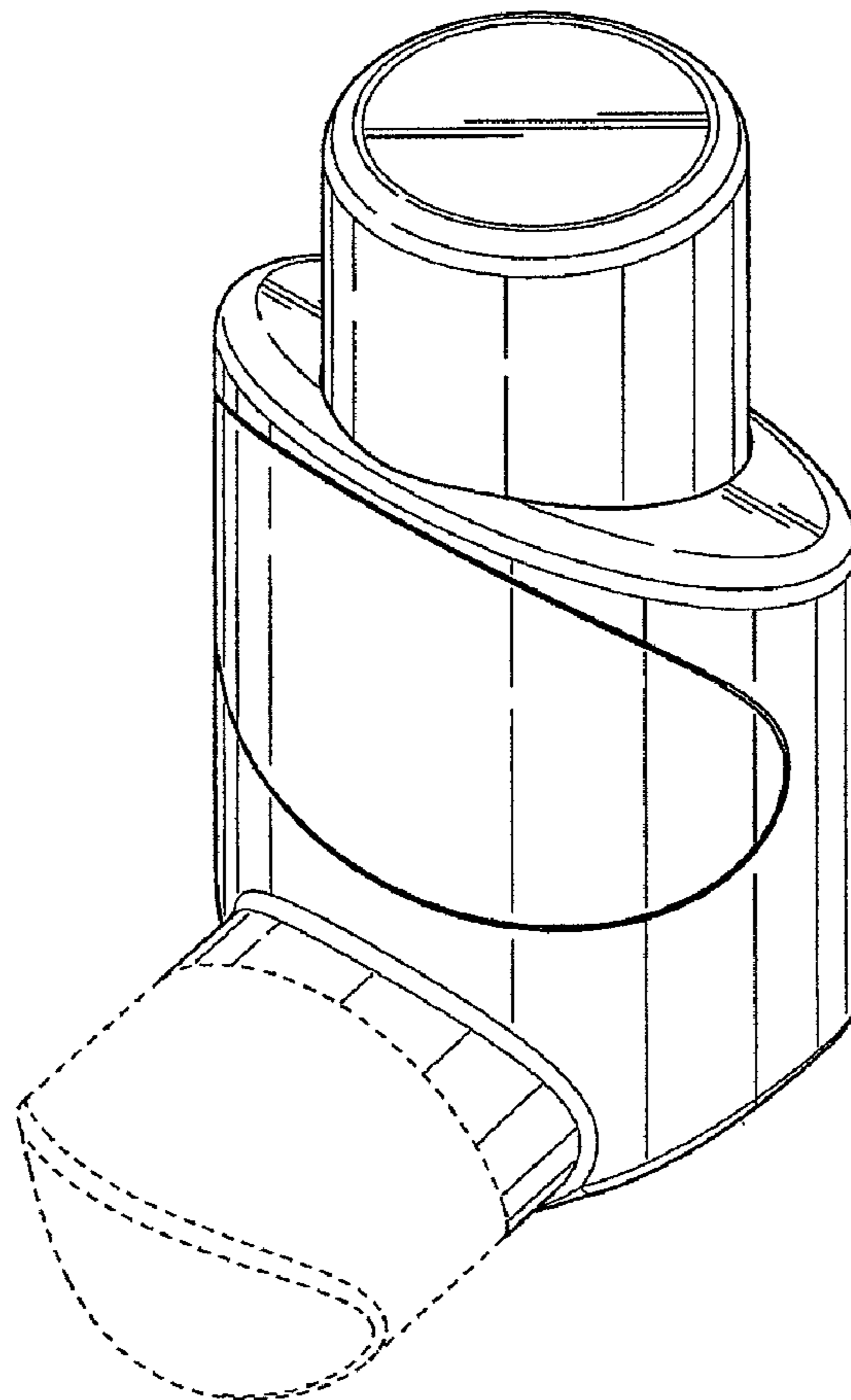
(57) **CLAIM**

The ornamental design for an inhaler, as shown and described

DESCRIPTION

FIG. 1 is a side perspective view of the inhaler;
FIG. 2 is a front elevation view thereof;
FIG. 3 is a rear elevation view thereof;
FIG. 4 is a side elevation view thereof (the opposite side being
a mirror image);
FIG. 5 is a top plan view thereof; and,
FIG. 6 is a bottom plan view thereof.
The parts of the drawings shown in dotted lines are for illustrative purposes only

1 Claim, 6 Drawing Sheets



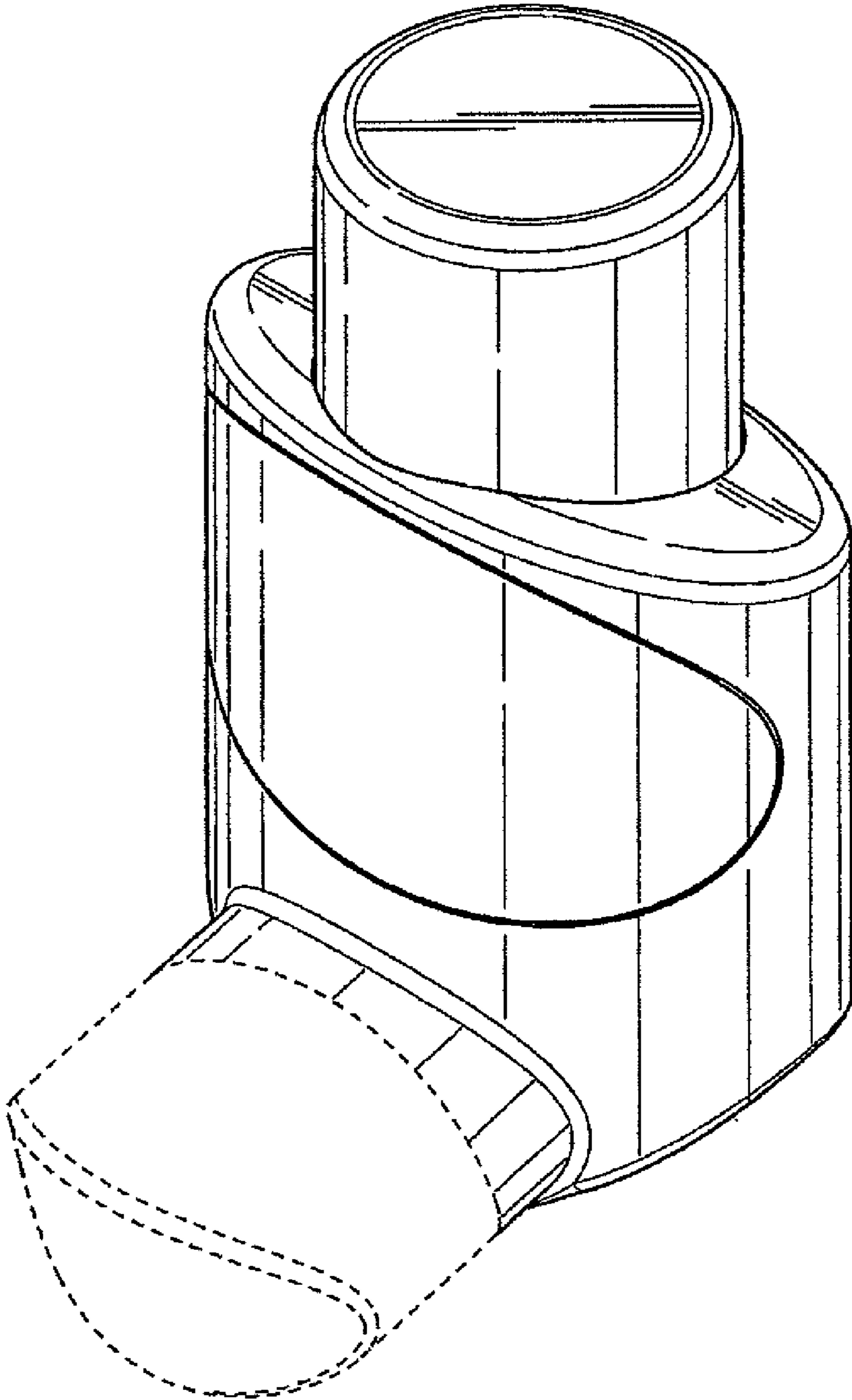


FIG. 1

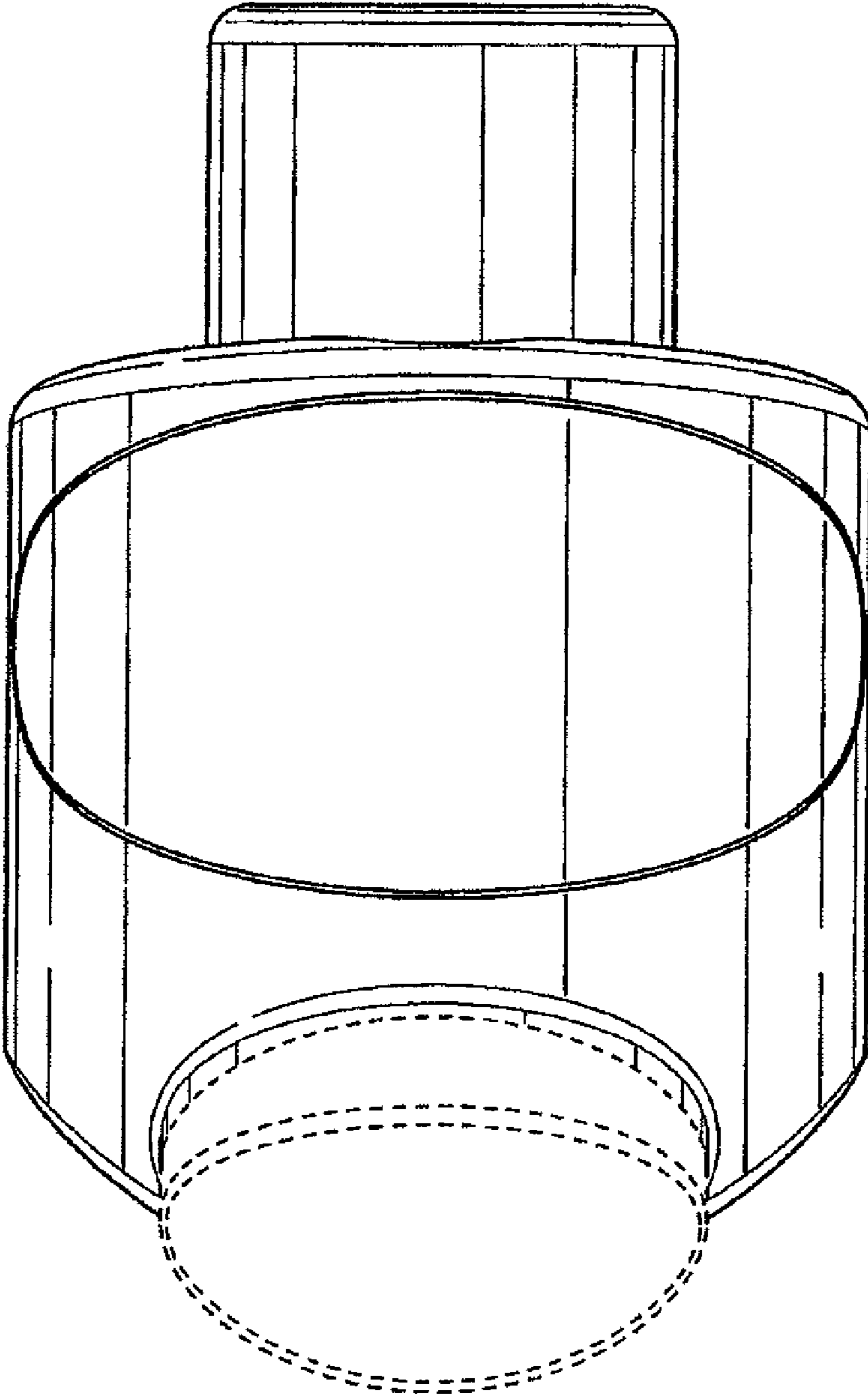


FIG. 2

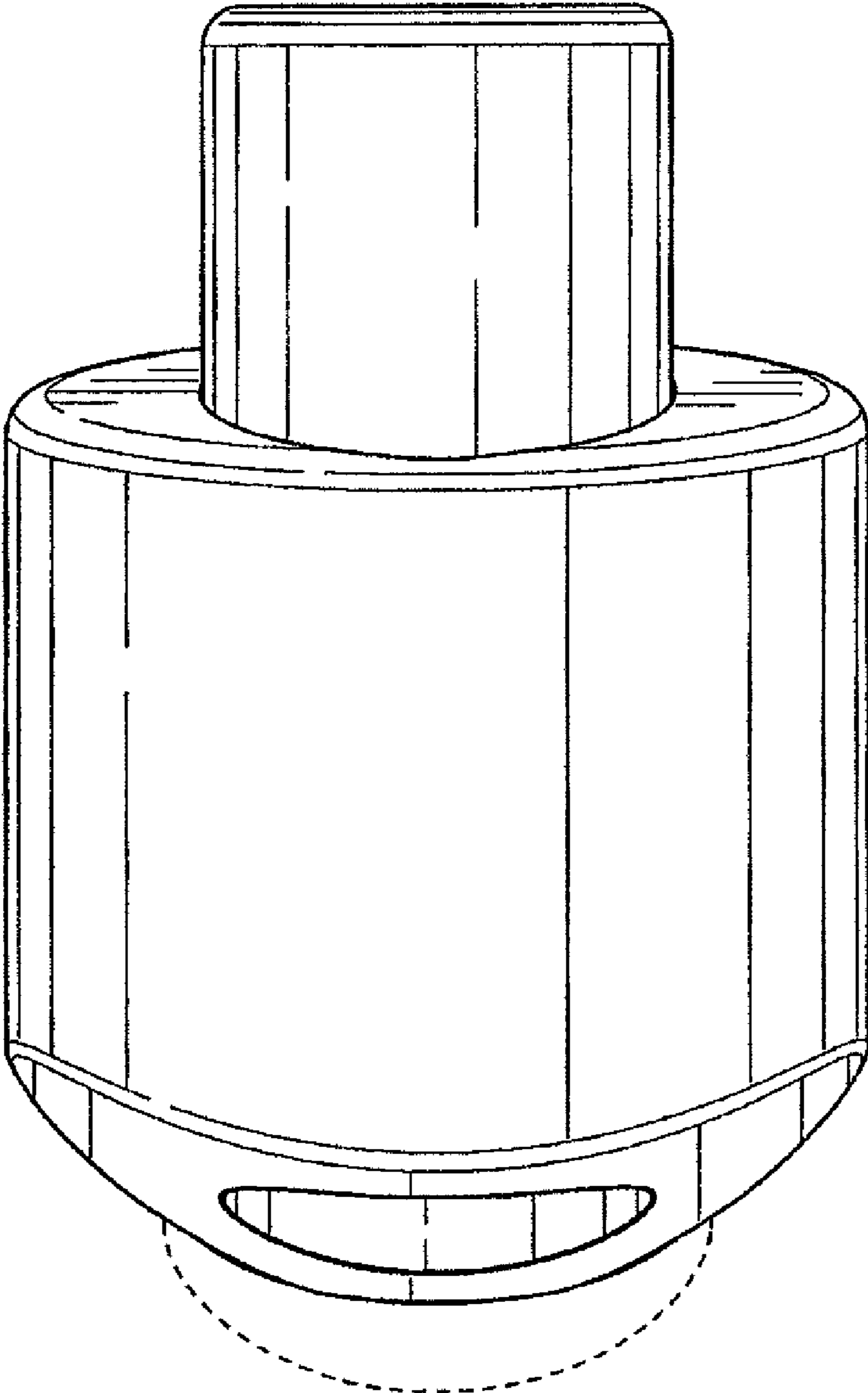


FIG. 3

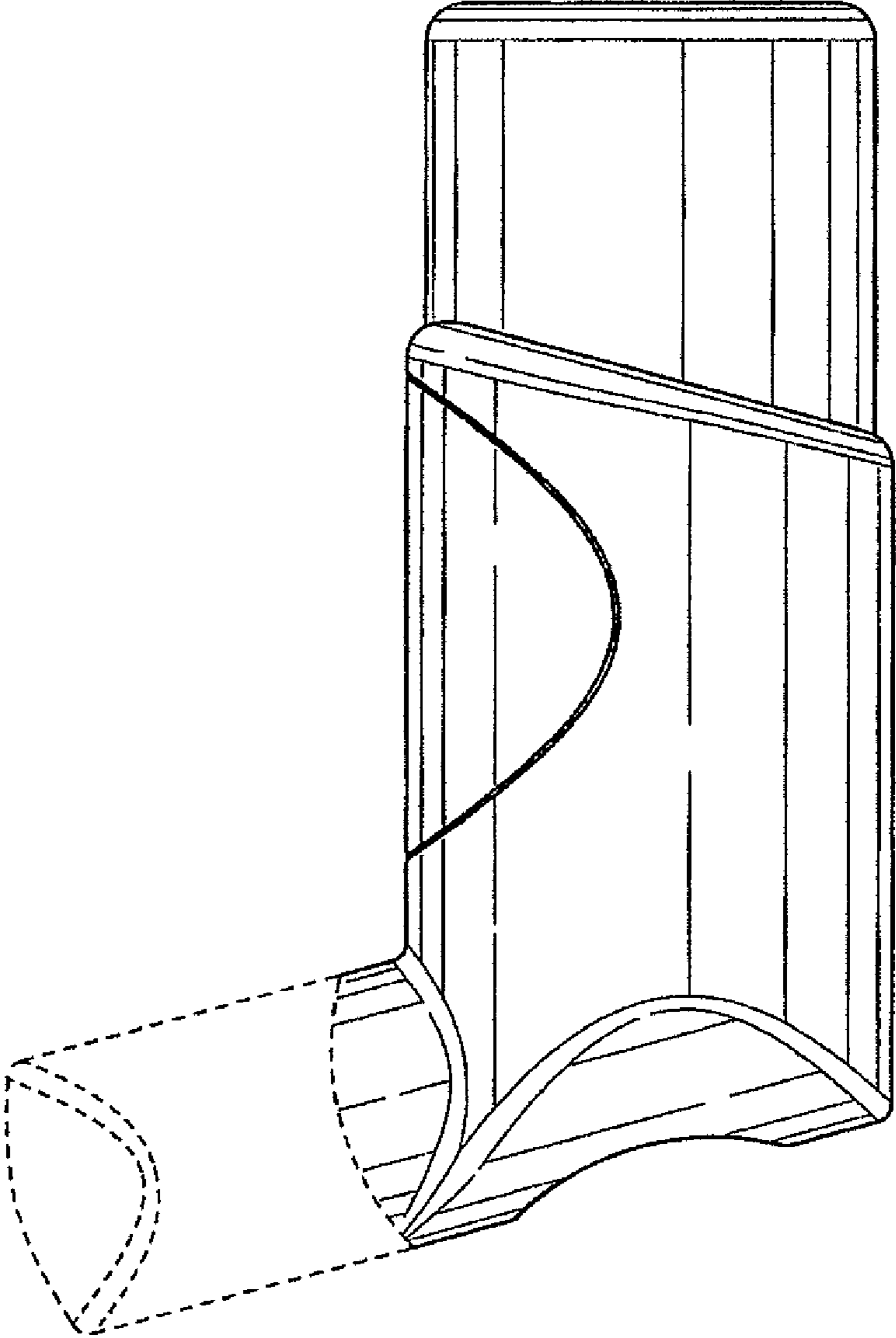


FIG. 4

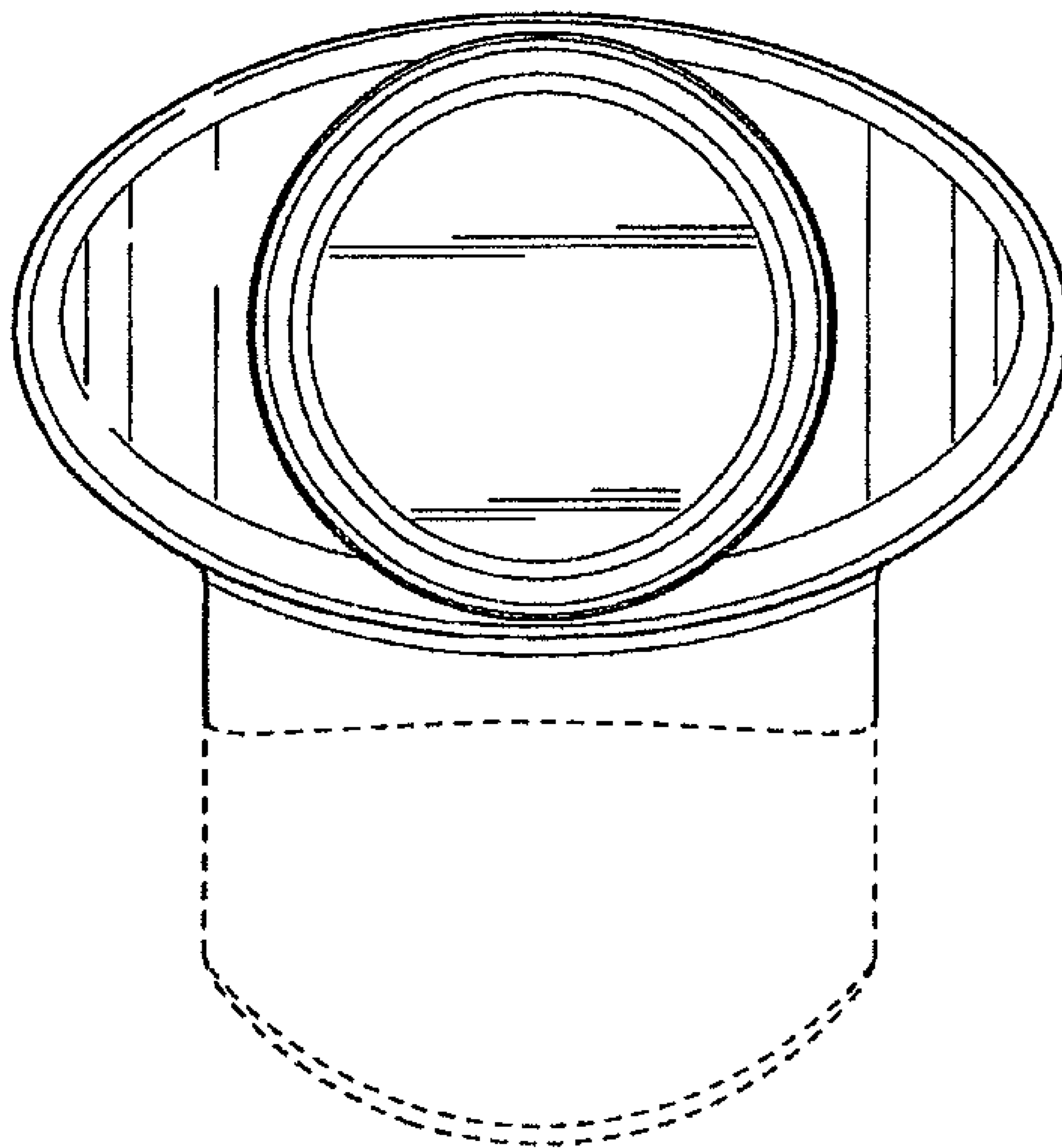


FIG. 5

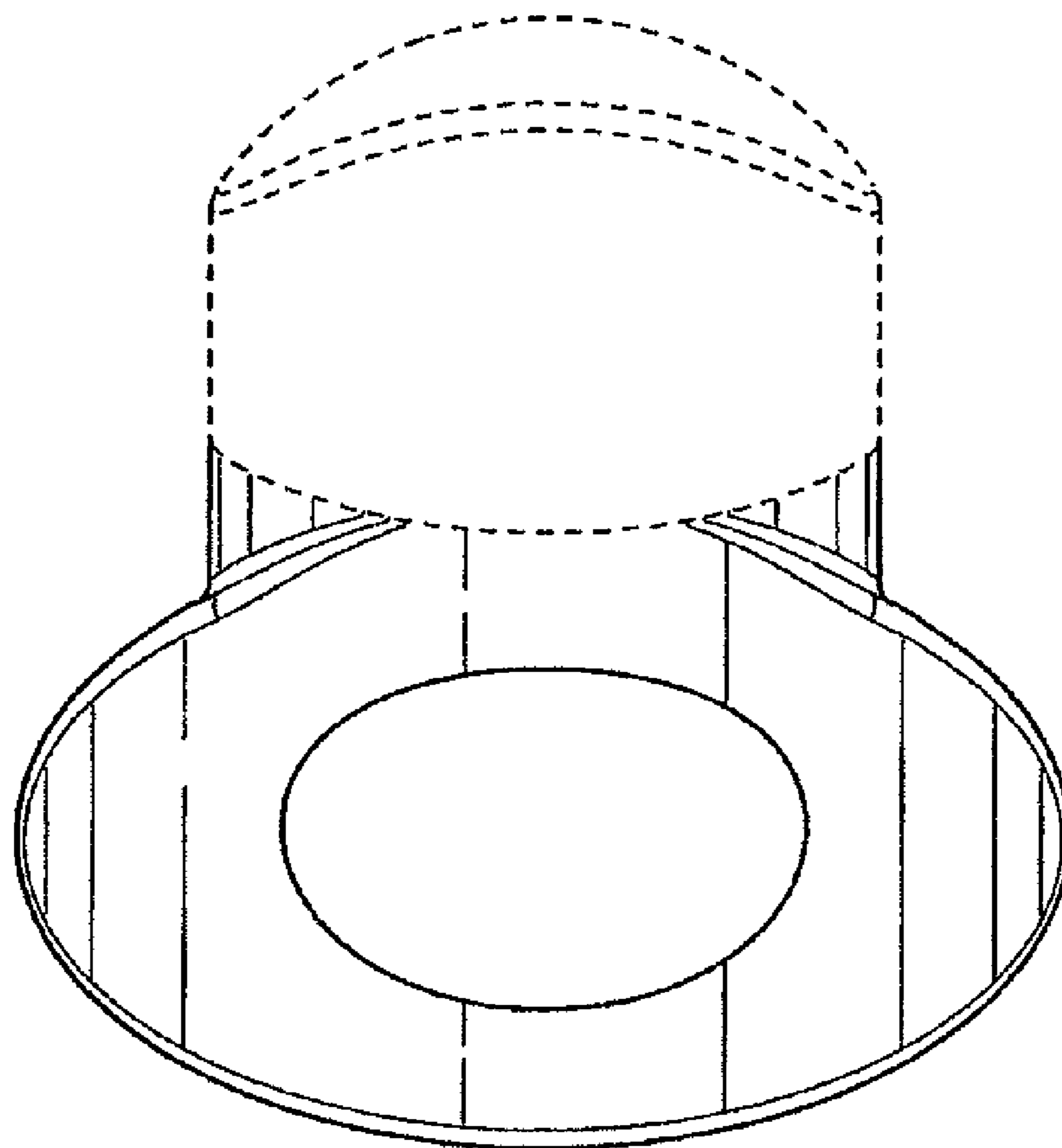


FIG. 6