



US00D657446S

(12) **United States Design Patent**  
**Herfort**

(10) **Patent No.:** **US D657,446 S**

(45) **Date of Patent:** **\*\* Apr. 10, 2012**

(54) **INHALER**

(75) **Inventor:** **Sergej Herfort**, Münster (DE)

(73) **Assignee:** **Ing. Erich Pfeiffer GmbH** (DE)

(\*\*) **Term:** **14 Years**

(21) **Appl. No.:** **29/388,786**

(22) **Filed:** **Apr. 1, 2011**

(30) **Foreign Application Priority Data**

Oct. 5, 2010 (EM) ..... 001237945-0005

(51) **LOC (9) Cl.** ..... **29-02**

(52) **U.S. Cl.** ..... **D24/110**

(58) **Field of Classification Search** ..... D24/110;  
128/203.15, 203.21, 200.14, 200.23, 205.24  
See application file for complete search history.

(56) **References Cited**

**U.S. PATENT DOCUMENTS**

- 5,363,842 A 11/1994 Mishevich et al.
- 5,544,647 A 8/1996 Jewett et al.
- 5,809,997 A 9/1998 Wolf
- D449,882 S \* 10/2001 Chrstrup et al. .... D24/110
- D455,208 S \* 4/2002 Bacon et al. .... D24/110

- D461,239 S \* 8/2002 Cassidy ..... D24/110
- D475,133 S \* 5/2003 McLuckie ..... D24/110
- D480,474 S \* 10/2003 Bowman et al. .... D24/110
- D511,208 S \* 11/2005 Pardonge et al. .... D24/110
- D610,249 S \* 2/2010 Robinson ..... D24/110
- D629,504 S \* 12/2010 Zuyderhoudt ..... D24/110
- 2007/0084462 A1 4/2007 Allen et al.

\* cited by examiner

*Primary Examiner* — Ian Simmons

*Assistant Examiner* — Christopher Lee

(74) *Attorney, Agent, or Firm* — Akerman Senterfitt

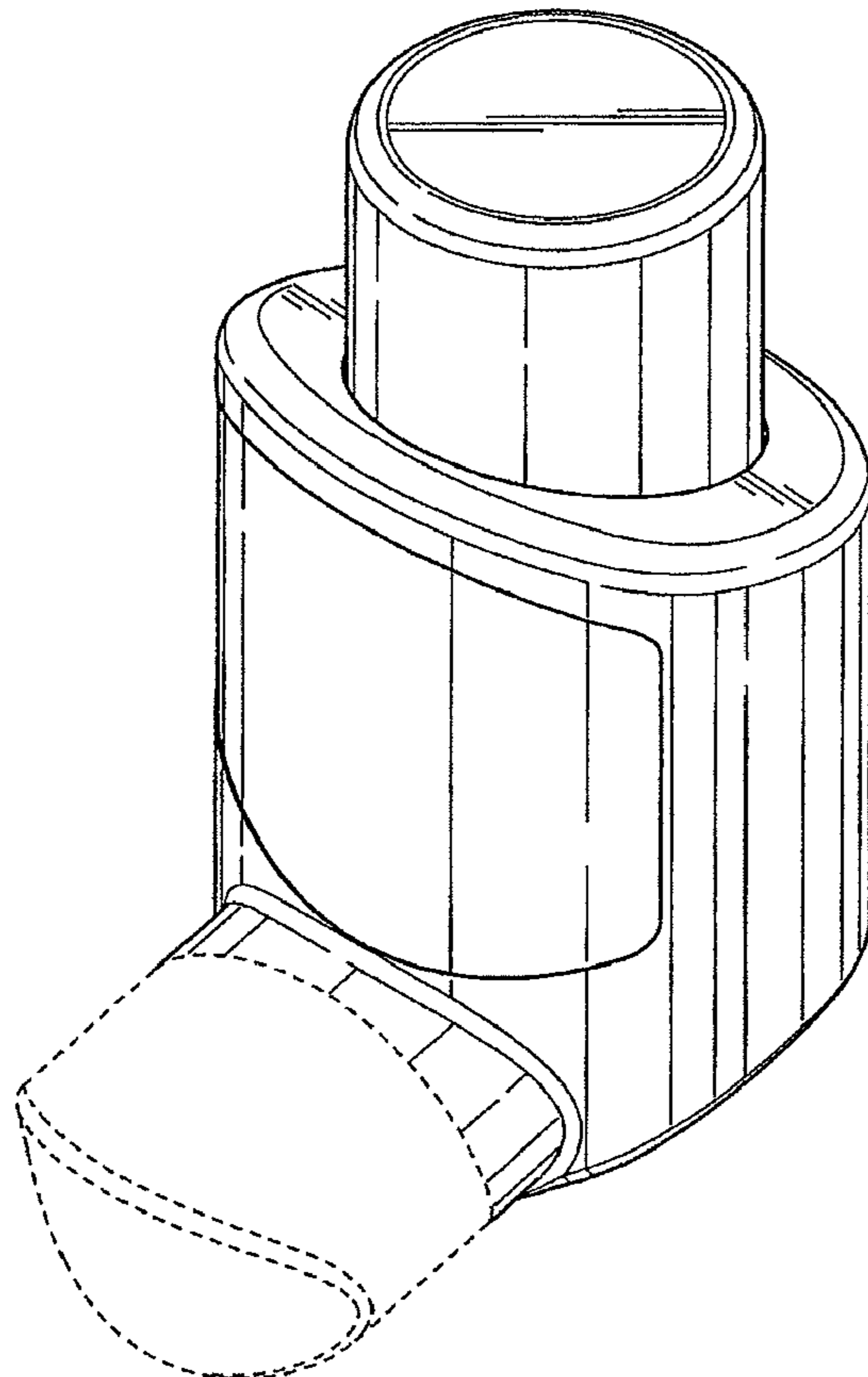
(57) **CLAIM**

The ornamental design for an inhaler, as shown and described.

**DESCRIPTION**

FIG. 1 is a side perspective view of the inhaler;  
 FIG. 2 is a front elevation view thereof;  
 FIG. 3 is a rear elevation view thereof;  
 FIG. 4 is a side elevation view thereof (the opposite side being a mirror image);  
 FIG. 5 is a top plan view thereof; and,  
 FIG. 6 is a bottom plan view thereof  
 The parts of the drawings shown in dotted lines are for illustrative purposes only.

**1 Claim, 6 Drawing Sheets**



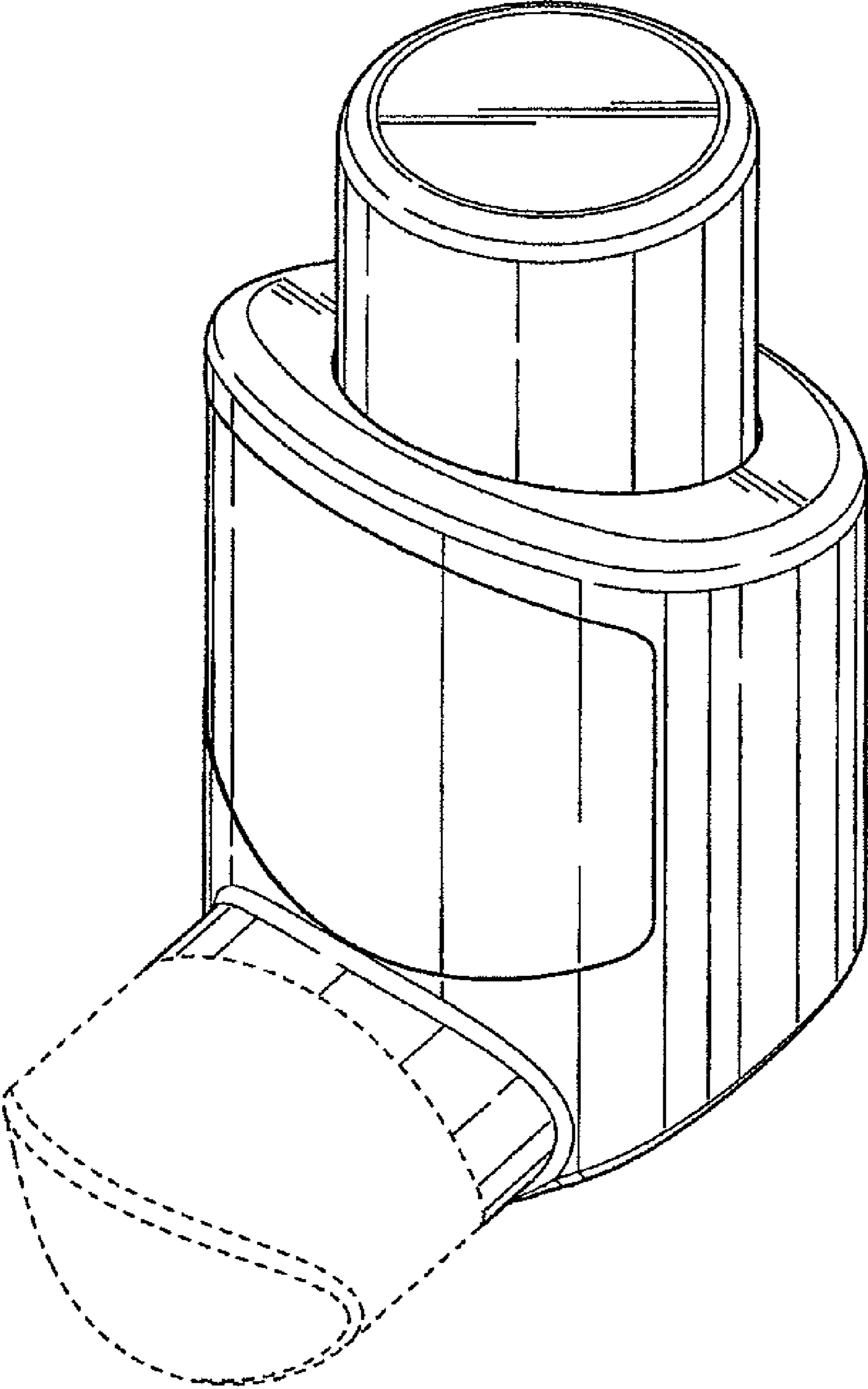


FIG. 1

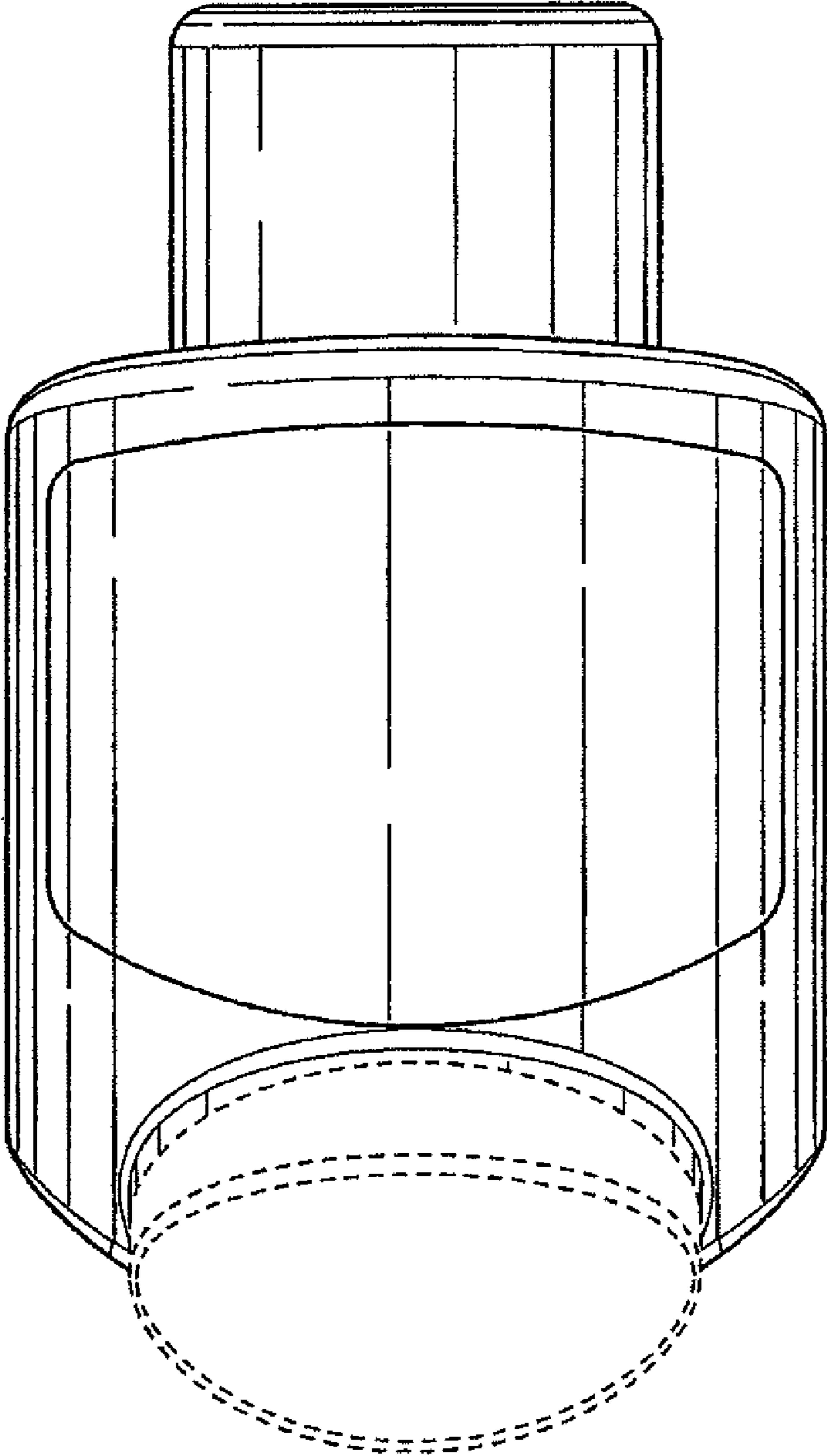


FIG. 2

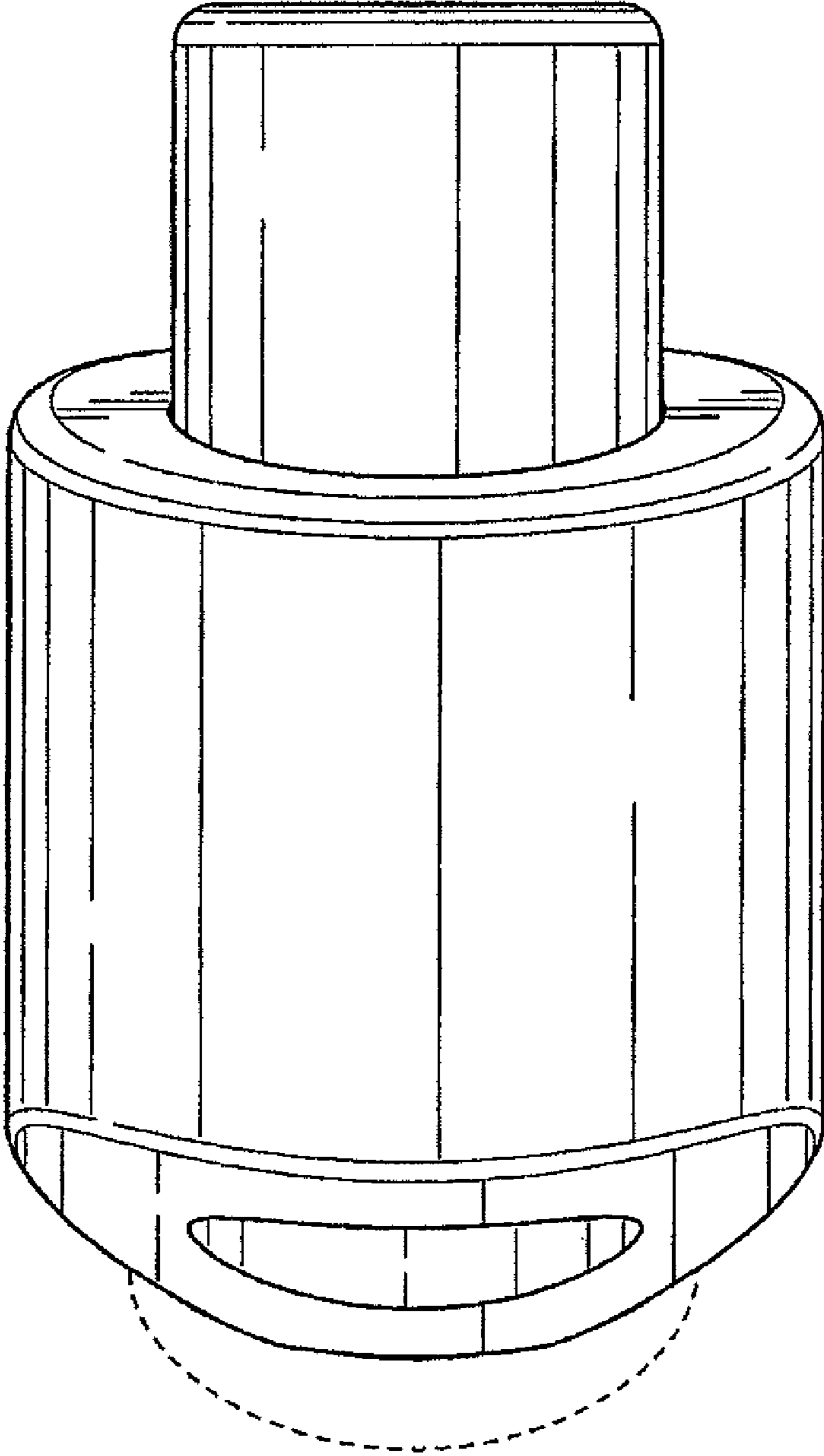


FIG. 3

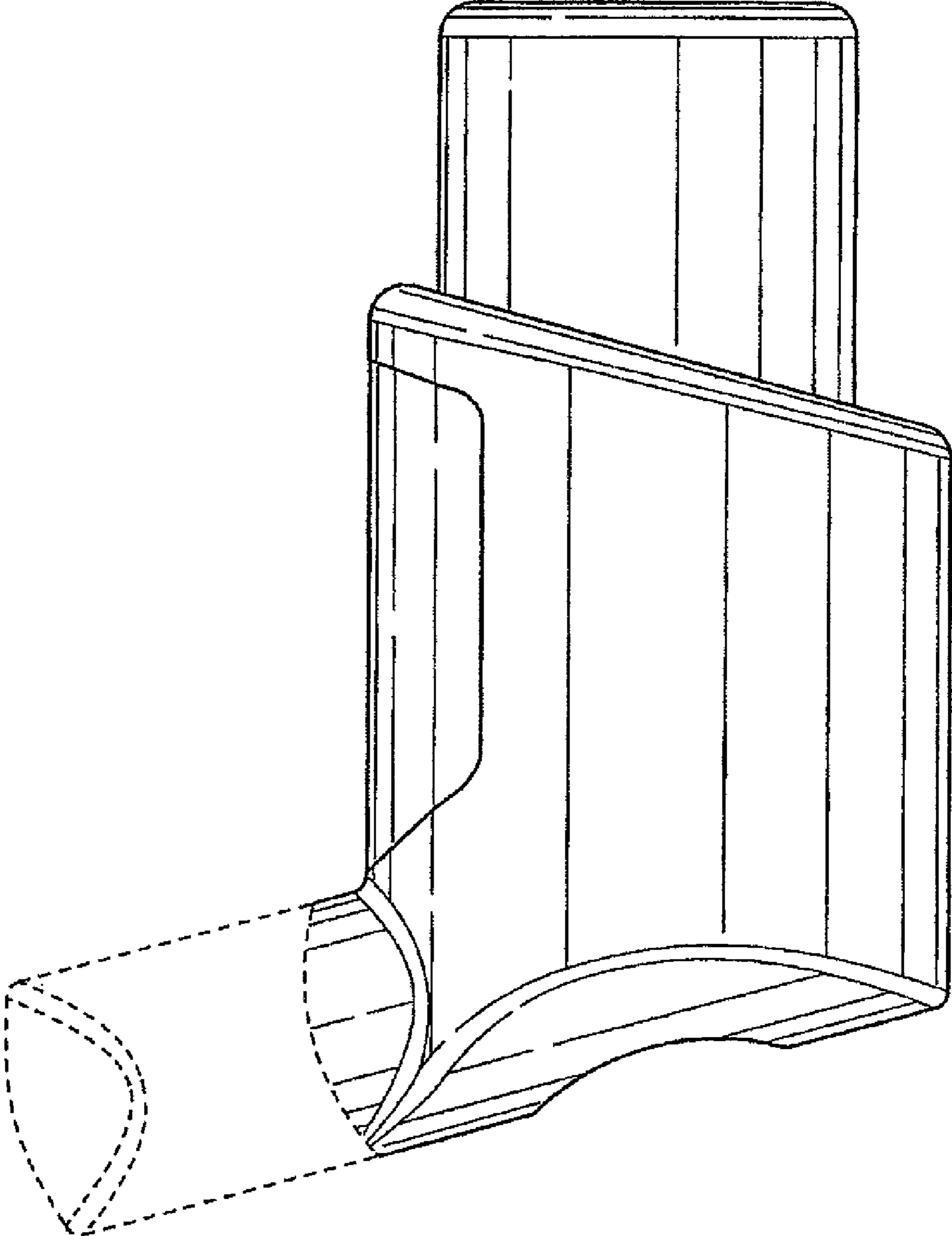


FIG. 4

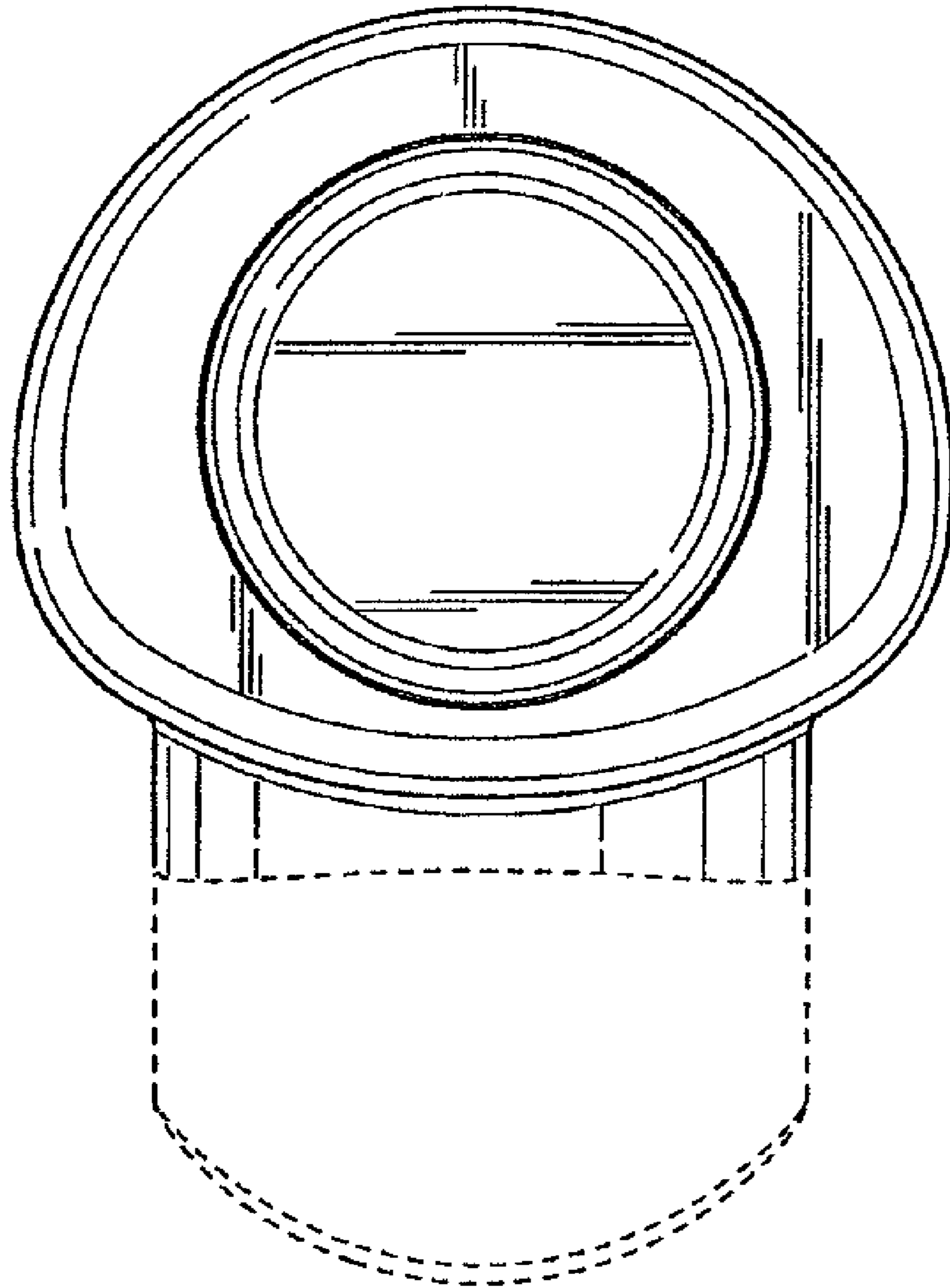


FIG. 5

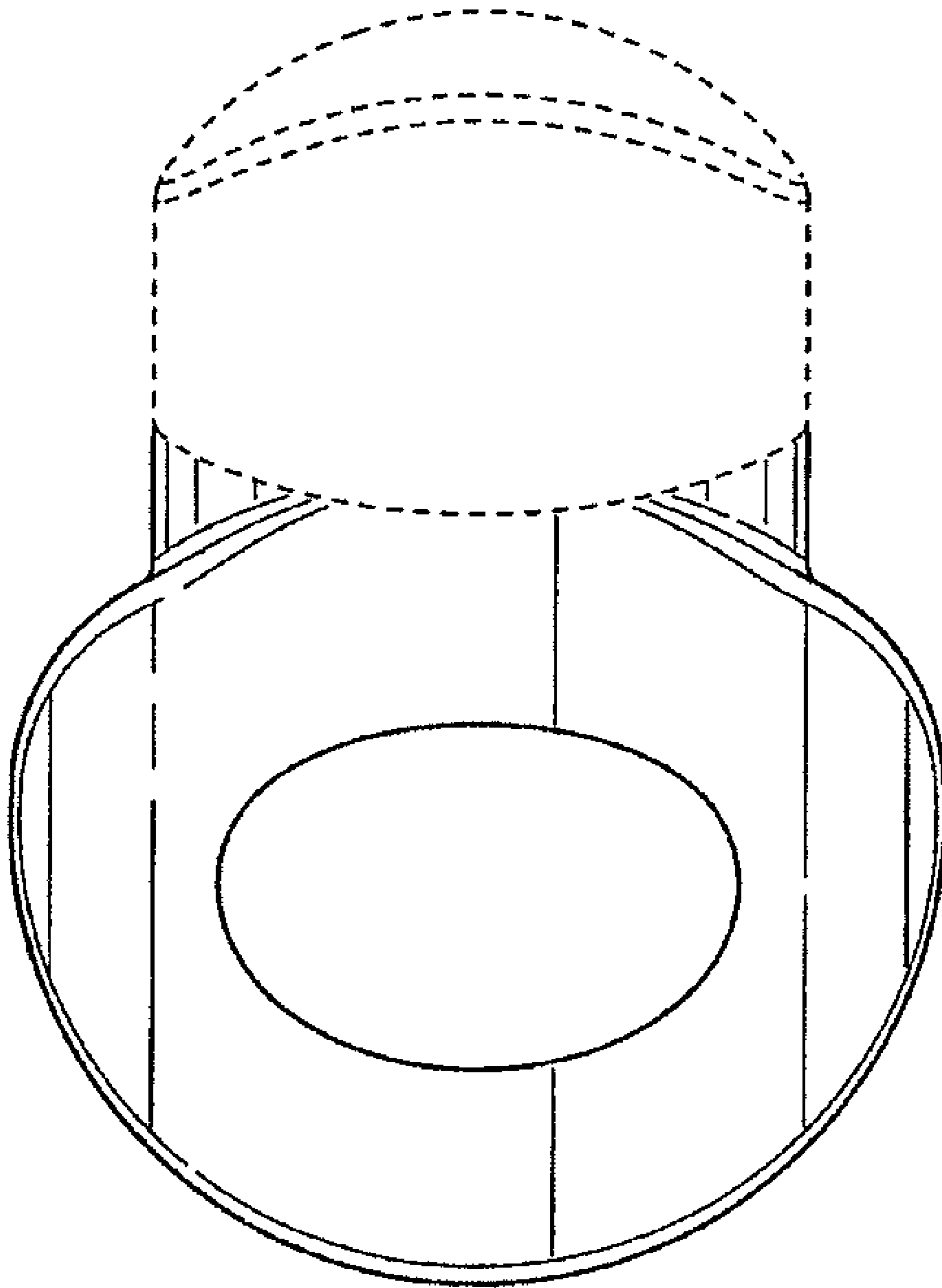


FIG. 6