



US00D657445S

(12) **United States Design Patent**
Curran et al.

(10) **Patent No.:** **US D657,445 S**
(45) **Date of Patent:** **** Apr. 10, 2012**

(54) **BELT**

(75) Inventors: **Desmond T. Curran**, Durham (GB);
Andrew Murphy, Ferryhill (GB);
James J. May, Earlsdon (GB); **Michael**
C. Bainton, Kineton (GB); **Stuart J.**
King, Bannerbrook Park (GB)

(73) Assignee: **3M Innovative Properties Company**,
St. Paul, MN (US)

(**) Term: **14 Years**

(21) Appl. No.: **29/324,989**

(22) Filed: **Sep. 24, 2008**

(30) **Foreign Application Priority Data**

Apr. 4, 2008 (EM) 908793-1/2

(51) **LOC (9) Cl.** **29-02**

(52) **U.S. Cl.** **D24/110; D24/128**

(58) **Field of Classification Search** D24/110,
D24/127-128; D29/100; 24/545-546; 128/99.1,
128/100.1, 101.1, 102.1, 107.1, 876, 202.27,
128/206.17, 206.27, 207.11, DIG. 15; 2/338,
2/336; D2/624, 627

See application file for complete search history.

(56) **References Cited**

U.S. PATENT DOCUMENTS

5,407,422 A * 4/1995 Matthijs et al. 128/876
6,311,346 B1 * 11/2001 Goldman 128/876
D457,688 S * 5/2002 Cordero D29/100
D500,393 S * 12/2004 Beacham et al. D29/100
7,454,800 B2 * 11/2008 Taylor et al. 2/338
D622,031 S * 8/2010 Wyszynski D2/627
7,819,120 B2 * 10/2010 Taylor et al. 128/206.27

2005/0145251 A1 7/2005 Taylor et al.
2005/0145275 A1 7/2005 Taylor et al.
2010/0294270 A1* 11/2010 Curran et al. 128/201.23

OTHER PUBLICATIONS

3M™ Adflo Respiratory Protection Systems product information.
3M™ Air-Mate™ Powered Air Purifying Respirator product information.
3M™ Dustmaster™ Powered Air Turbo product information.
3M™ GVP-Series PAPR Assemblies product information.
3M™ Jupiter™ Powered Air Turbo product information sheet dated Feb. 2007.
3M Unidad Turbo Jupiter™ product literature.
Sundström PAPR SR500EX product information.
Sundström Safety AB the SR 500 Series Powered Air Purifying Respiratory Protection Product literature.

* cited by examiner

Primary Examiner — Wan Laymon

(57) **CLAIM**

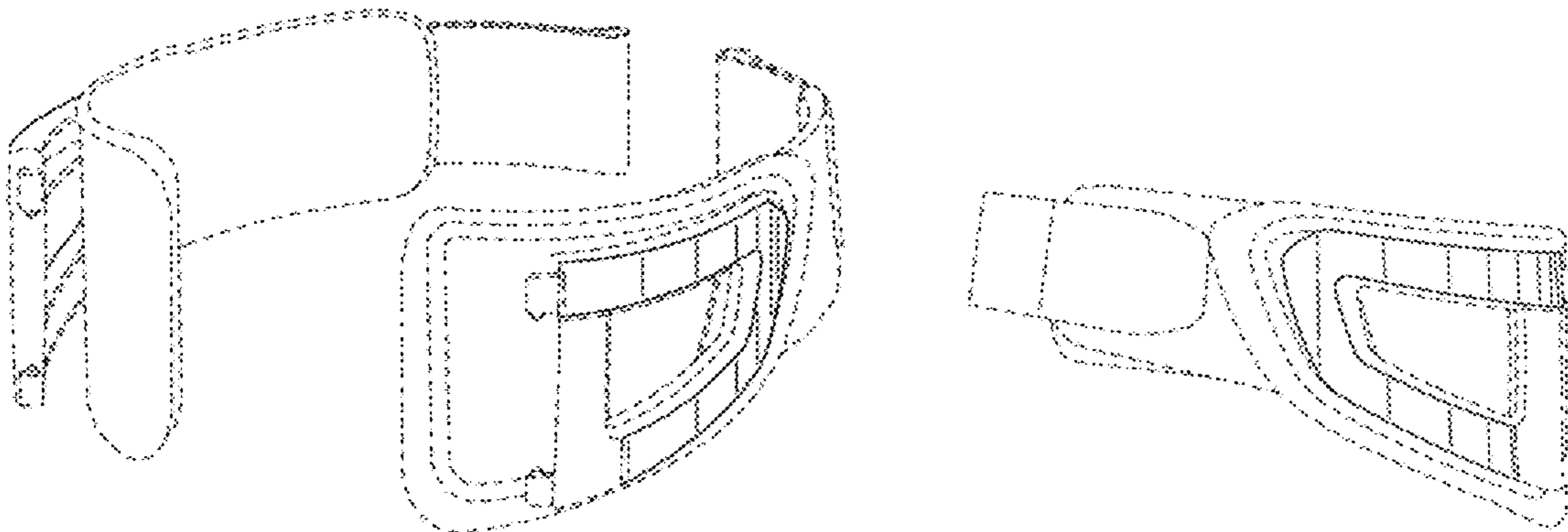
The ornamental design for a belt, as shown and described.

DESCRIPTION

FIG. 1 is a perspective view showing the new design for a belt;
FIG. 2 is a front view thereof;
FIG. 3 is a rear view thereof;
FIG. 4 is a left side view thereof;
FIG. 5 is a right side view thereof;
FIG. 6 is a top view thereof; and,
FIG. 7 is a bottom view thereof.

The broken lines showing portions of a belt are included for the purpose of illustrating environmental structure, and form no part of the claimed design. Any shading is provided to illustrate contour only and is not an indication of texture, gloss, etc. The dash-dot-dash lines represent a boundary to the claimed portion of the design, and form no part of the claimed design.

1 Claim, 3 Drawing Sheets



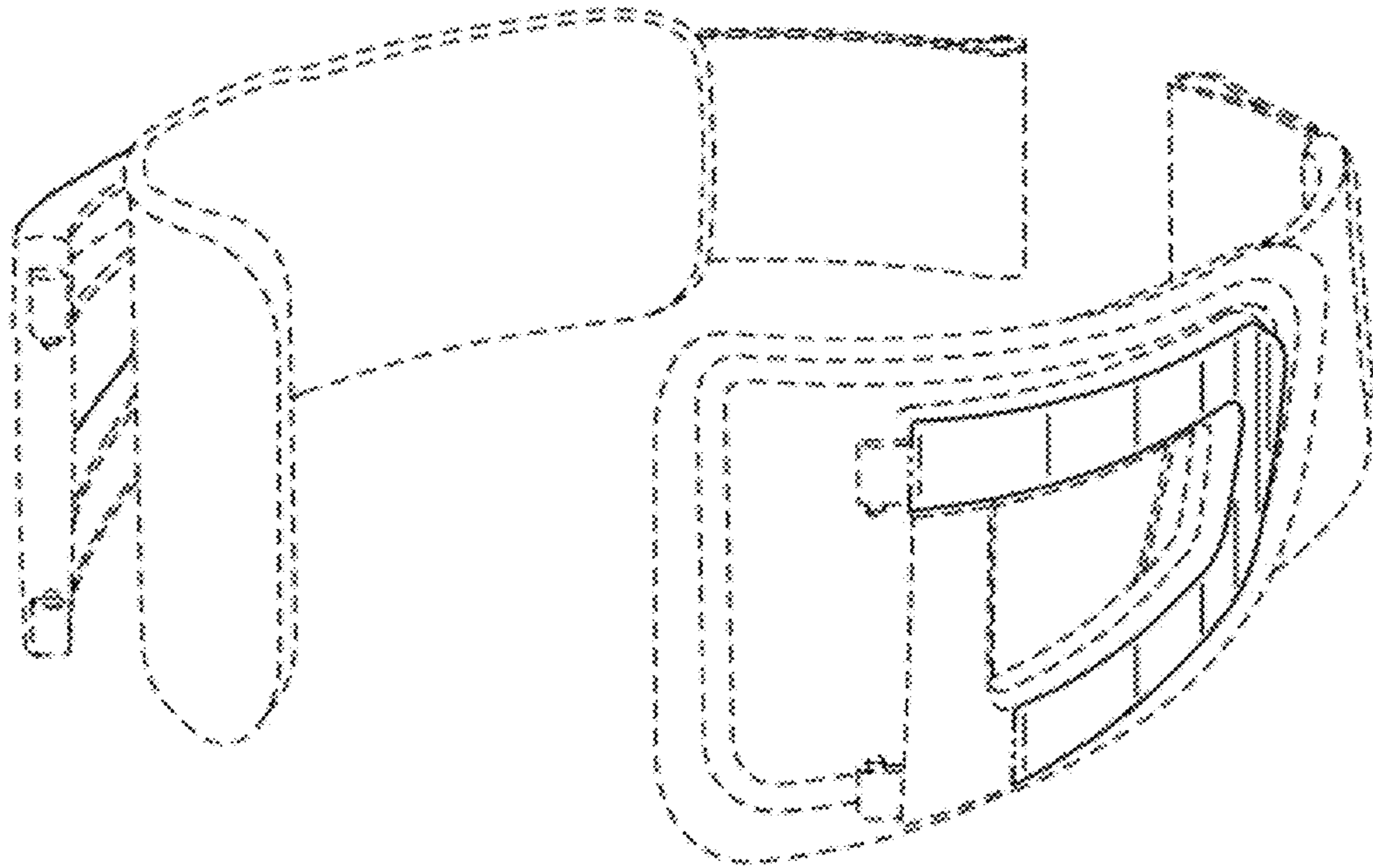


Fig. 1

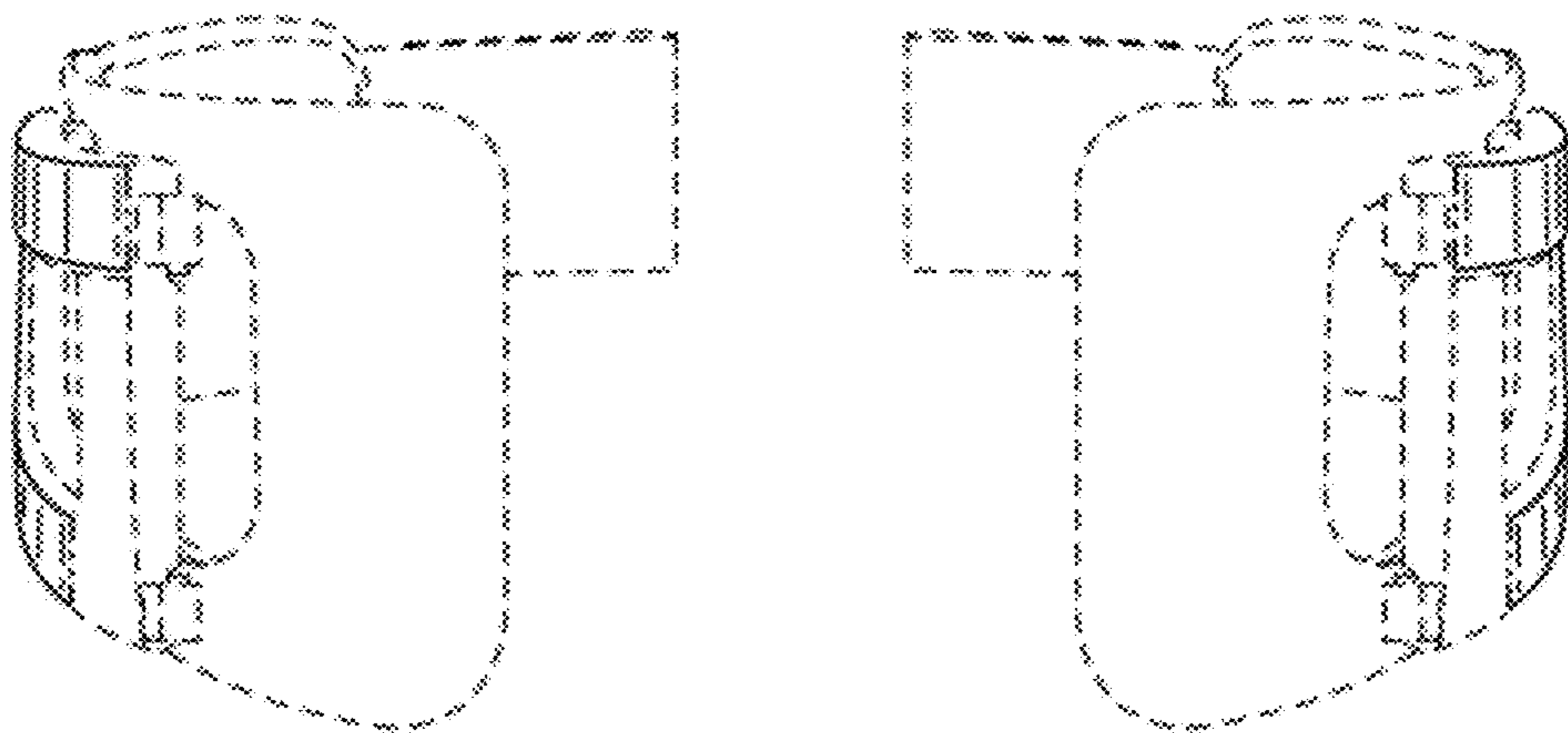


Fig. 2

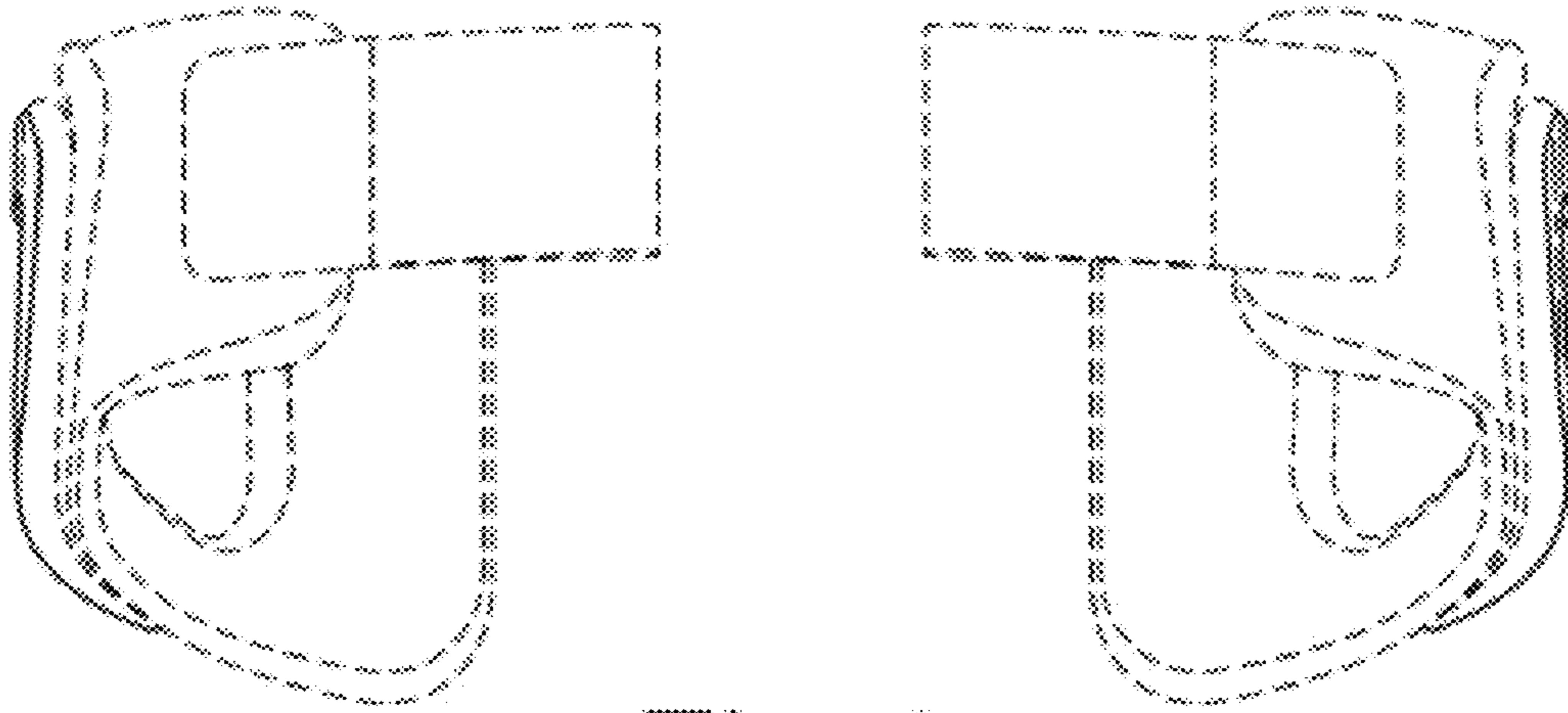


Fig. 3

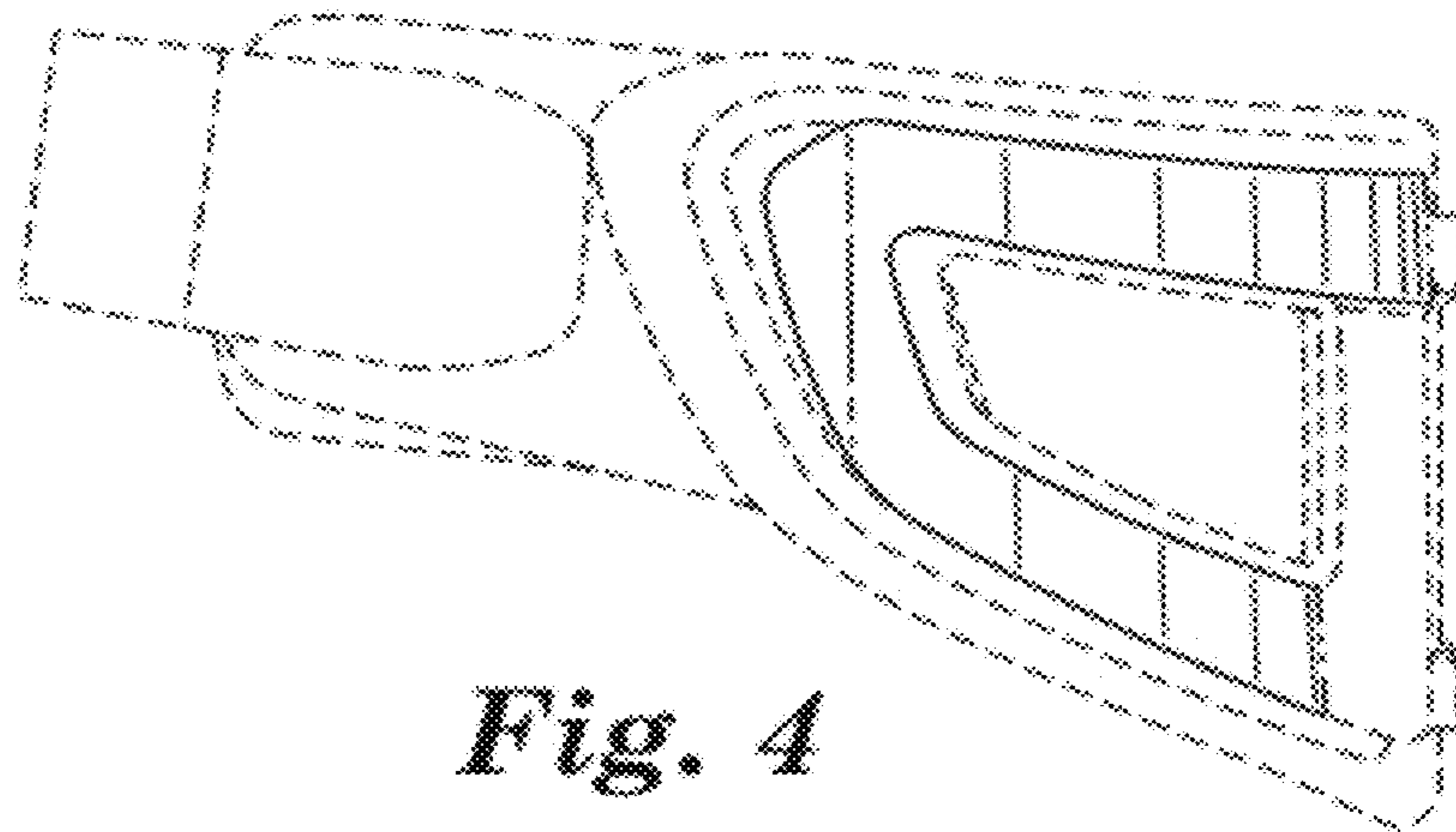


Fig. 4

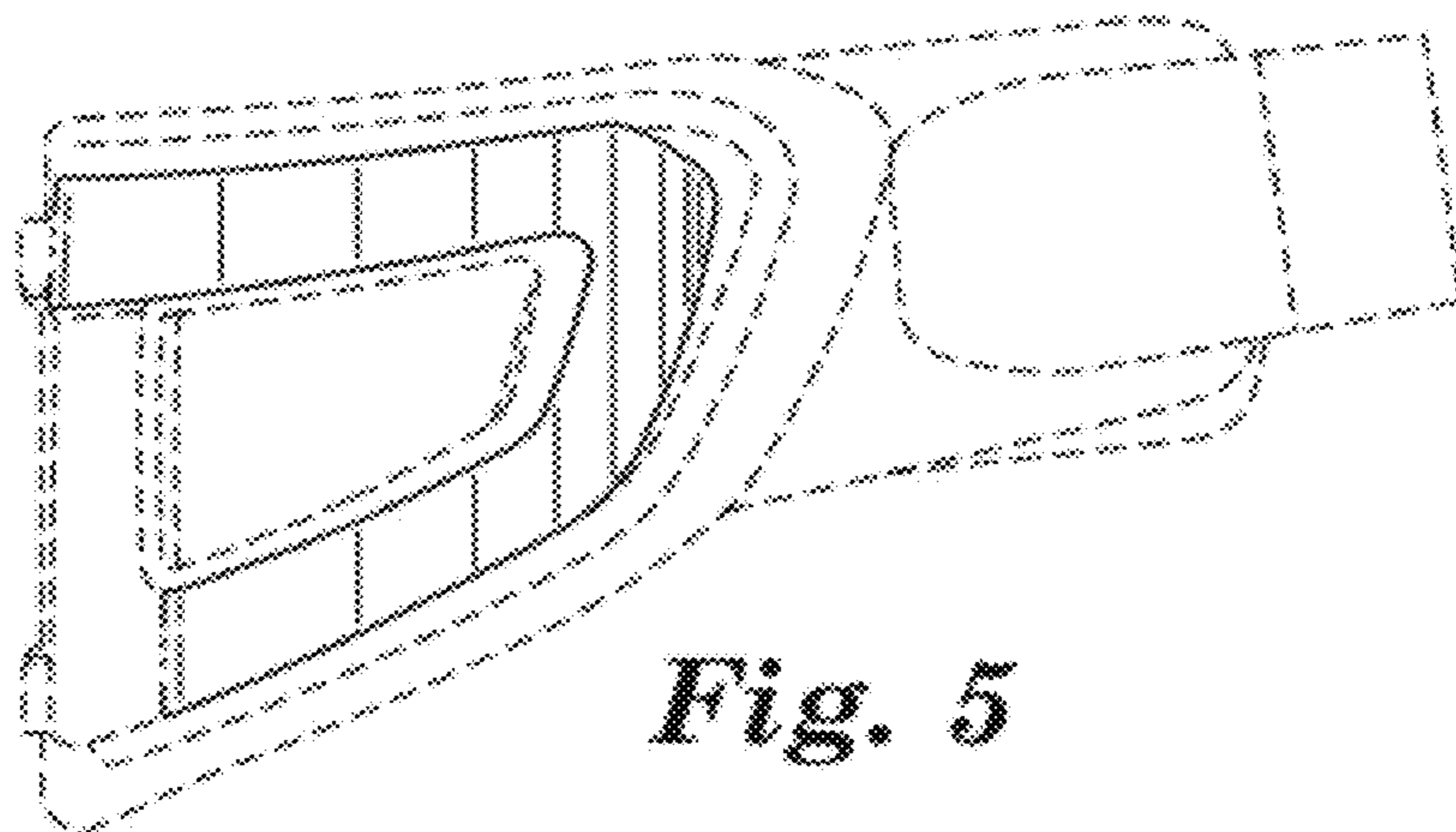


Fig. 5

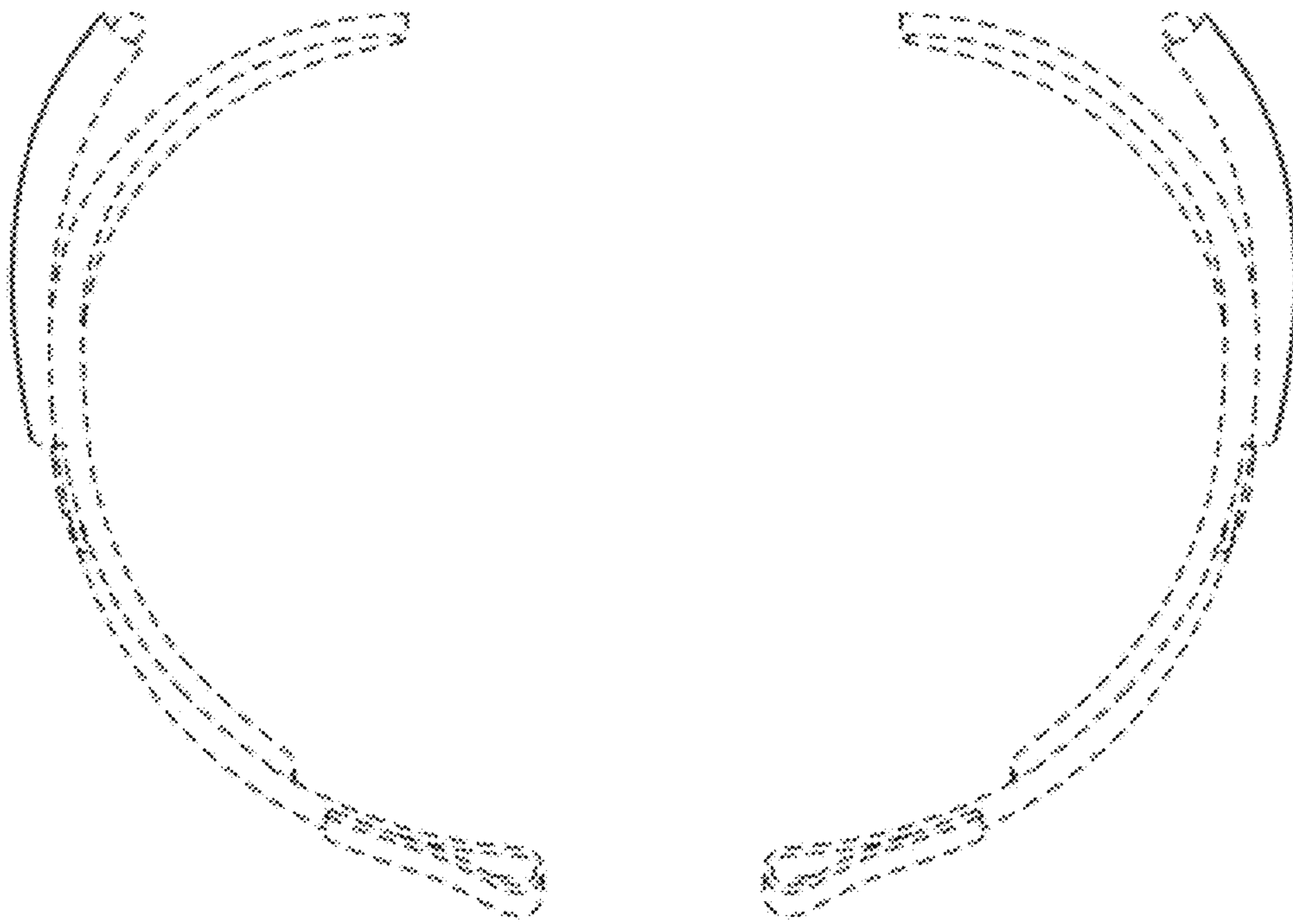


Fig. 6

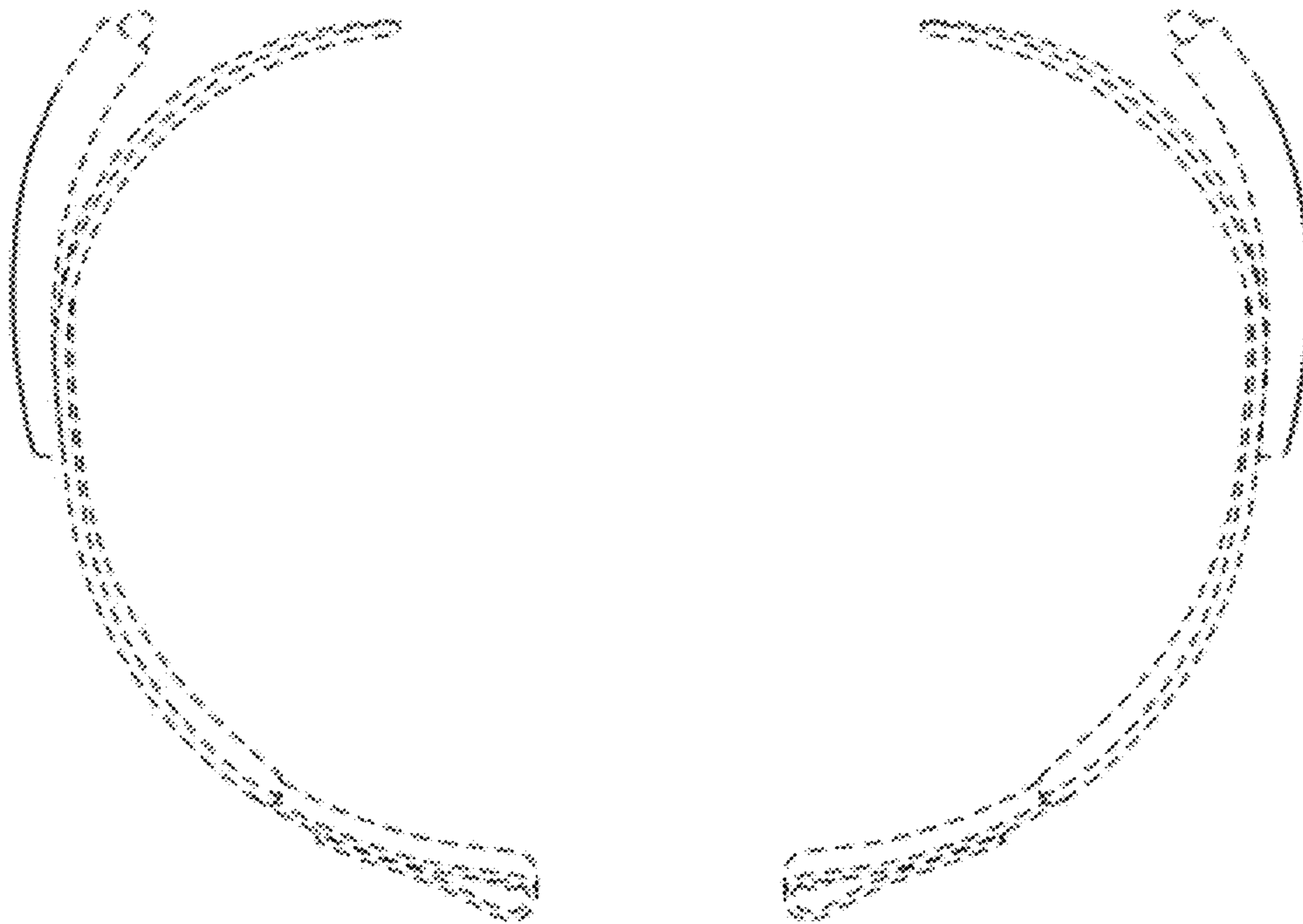


Fig. 7