



US00D657439S

(12) **United States Design Patent**  
**Lammel et al.**

(10) **Patent No.:** **US D657,439 S**  
(45) **Date of Patent:** **\*\* Apr. 10, 2012**

(54) **FAUCET**

(75) Inventors: **Michael Lammel**, Aachen (DE);  
**Michael Zeisel**, Aachen (DE)

(73) Assignee: **KWC AG**, Unterkulm (CH)

(\*\*) Term: **14 Years**

(21) Appl. No.: **29/382,048**

(22) Filed: **Dec. 28, 2010**

(30) **Foreign Application Priority Data**

Jul. 8, 2010 (WO) ..... D555265201

(51) **LOC (9) Cl.** ..... **23-01**

(52) **U.S. Cl.** ..... **D23/255**

(58) **Field of Classification Search** ..... D23/238,  
D23/241-243, 255, 257; 4/676-678; 137/801  
See application file for complete search history.

(56) **References Cited**

U.S. PATENT DOCUMENTS

D441,836 S	5/2001	Mark et al.	
D443,337 S	6/2001	Mark et al.	
D468,397 S	1/2003	Czerwinski, Jr.	
D473,630 S	4/2003	Wettstein et al.	
D487,798 S	3/2004	Bayer	
D510,412 S	10/2005	Lammel et al.	
D510,613 S	10/2005	Lammel et al.	
D513,788 S	1/2006	Lindholm	
D514,665 S	2/2006	Lindholm	
D519,190 S *	4/2006	Lord	D23/238

D532,483 S	11/2006	Lobermeier et al.	
D539,870 S	4/2007	Lammel et al.	
D566,238 S	4/2008	Lammel et al.	
D603,021 S *	10/2009	Roy	D23/238
D612,015 S	3/2010	Lammel et al.	
D612,910 S	3/2010	Lammel et al.	
D622,361 S	8/2010	Lammel et al.	
D629,873 S *	12/2010	Roy	D23/255
D636,852 S *	4/2011	Yu	D23/238

OTHER PUBLICATIONS

U.S. Appl. No. 29/300,695, filed Apr. 28, 2008, Lammel, et al.

\* cited by examiner

*Primary Examiner* — Robert Delehanty

(74) *Attorney, Agent, or Firm* — Oblon, Spivak,  
McClelland, Maier & Neustadt, L.L.P.

(57) **CLAIM**

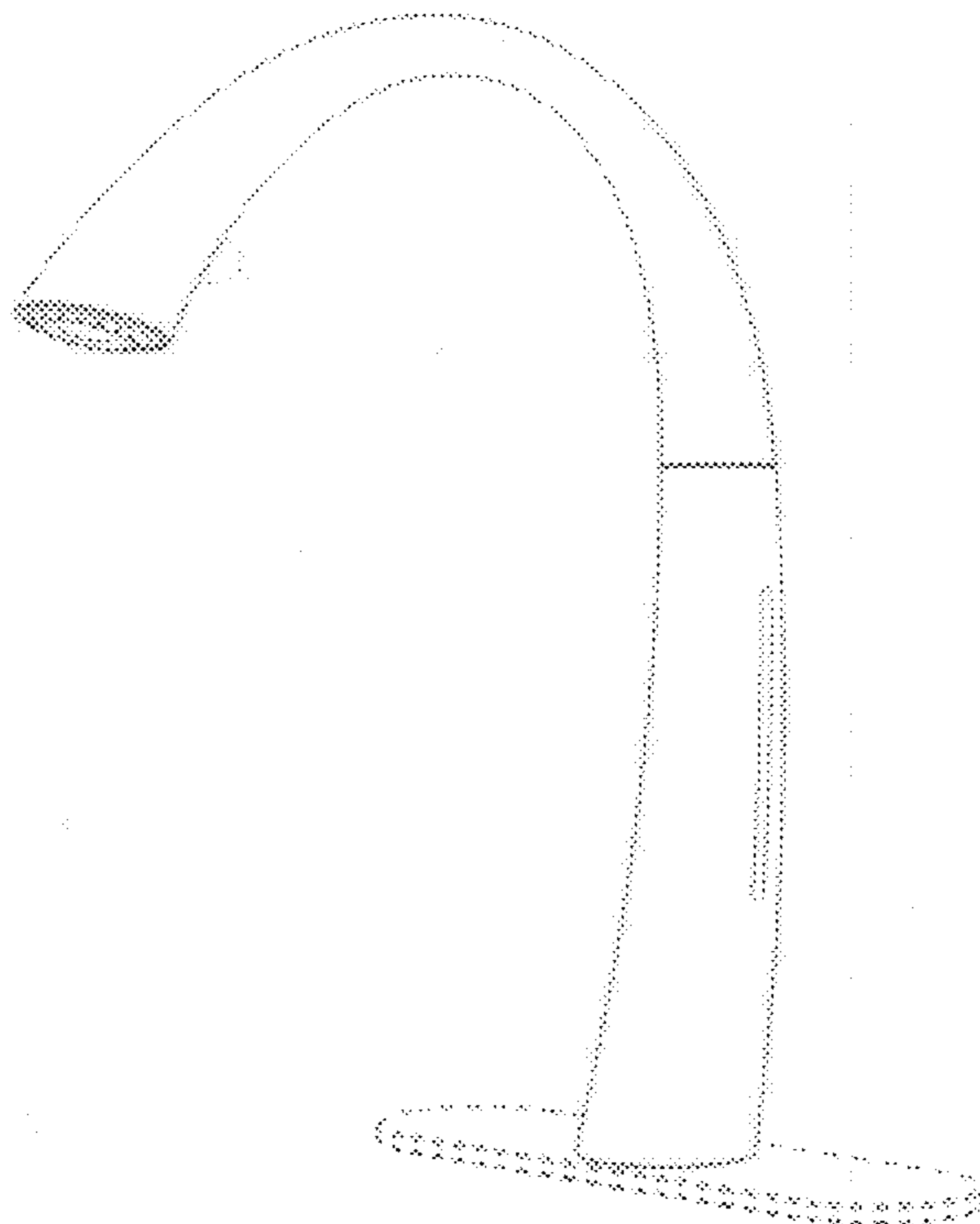
The new, original, and ornamental design for a faucet, as shown and described.

**DESCRIPTION**

FIG. 1 is a right, front perspective view of a faucet according to a first embodiment of the invention;  
FIG. 2 is a left, front perspective view thereof;  
FIG. 3 is a front elevational view thereof;  
FIG. 4 is a rear elevational view thereof;  
FIG. 5 is a right elevational view thereof; and  
FIG. 6 is a left elevational view thereof;  
FIG. 7 is a top plan view thereof; and,  
FIG. 8 is a bottom plan view thereof.

The broken lines in the drawings depict environmental subject matter only and form no part of the claimed design.

**1 Claim, 8 Drawing Sheets**



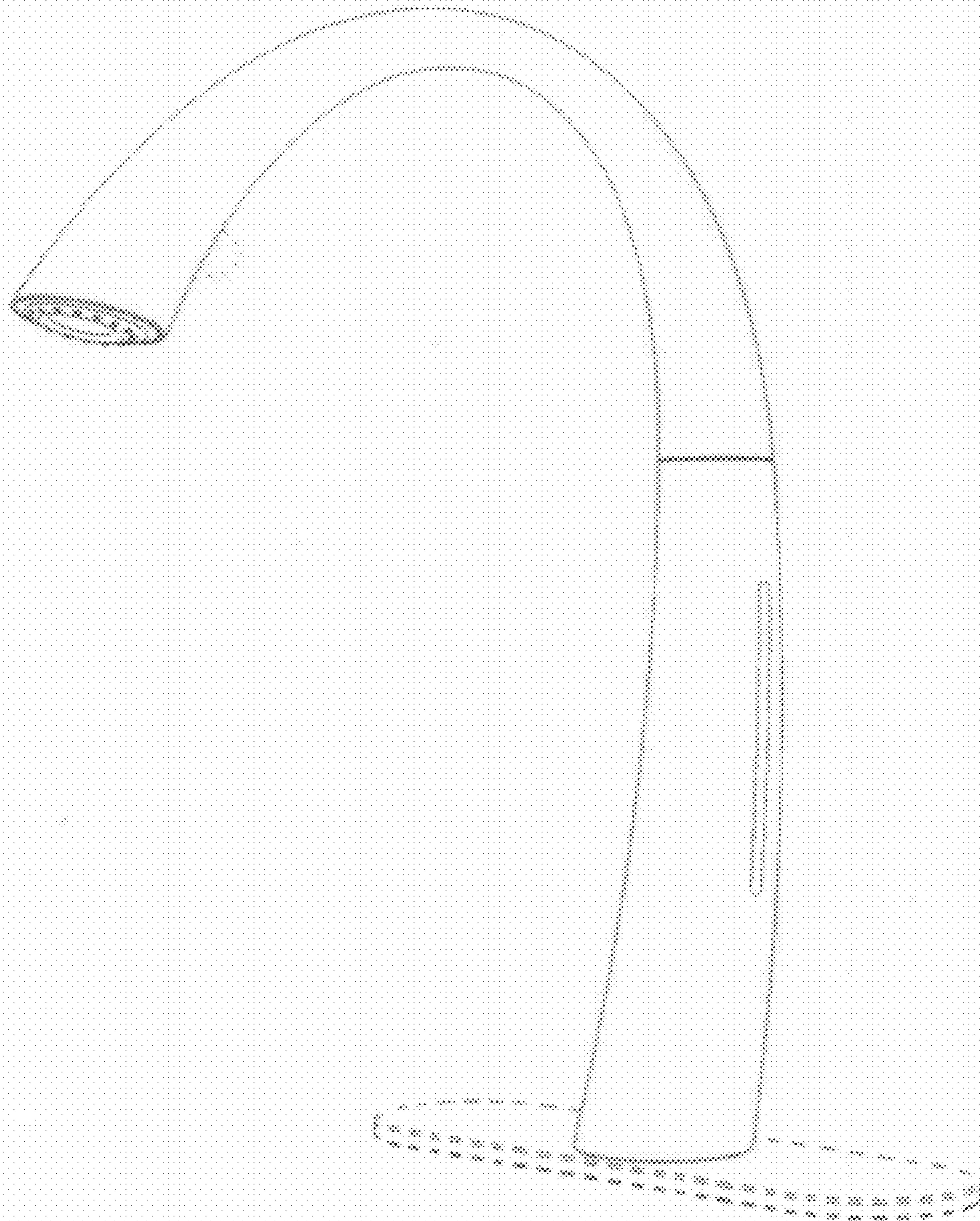


FIG. 1

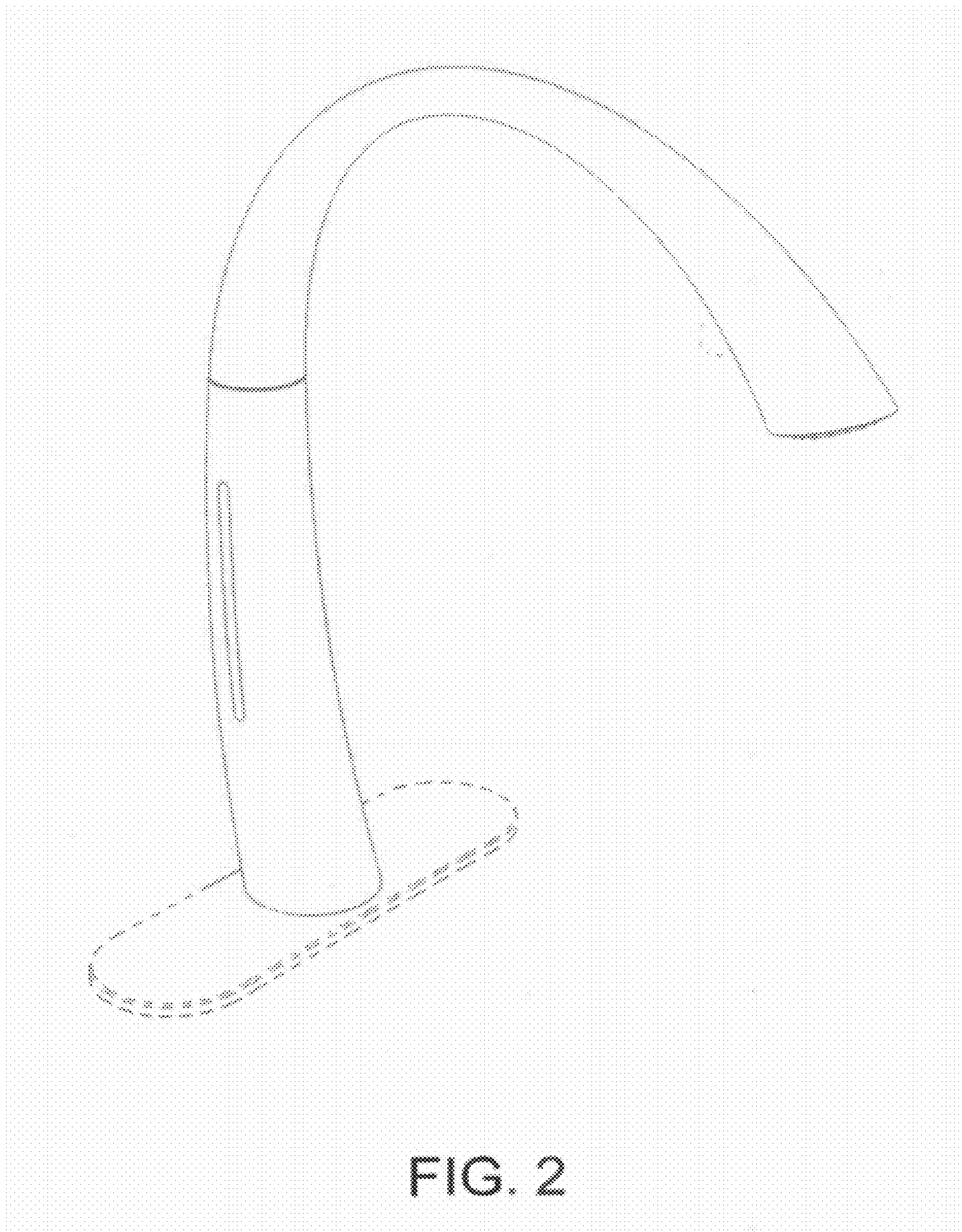


FIG. 2



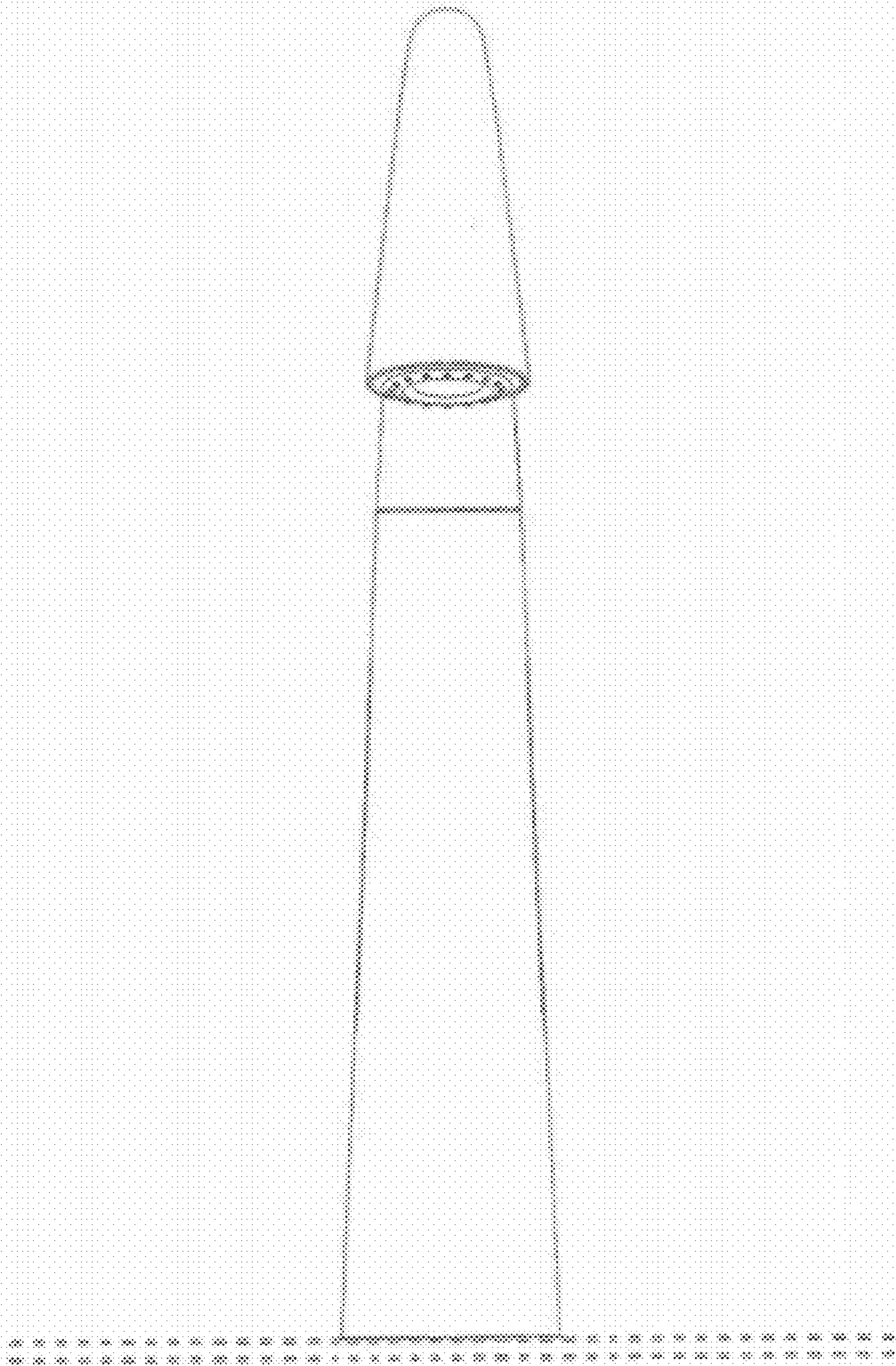


FIG. 3

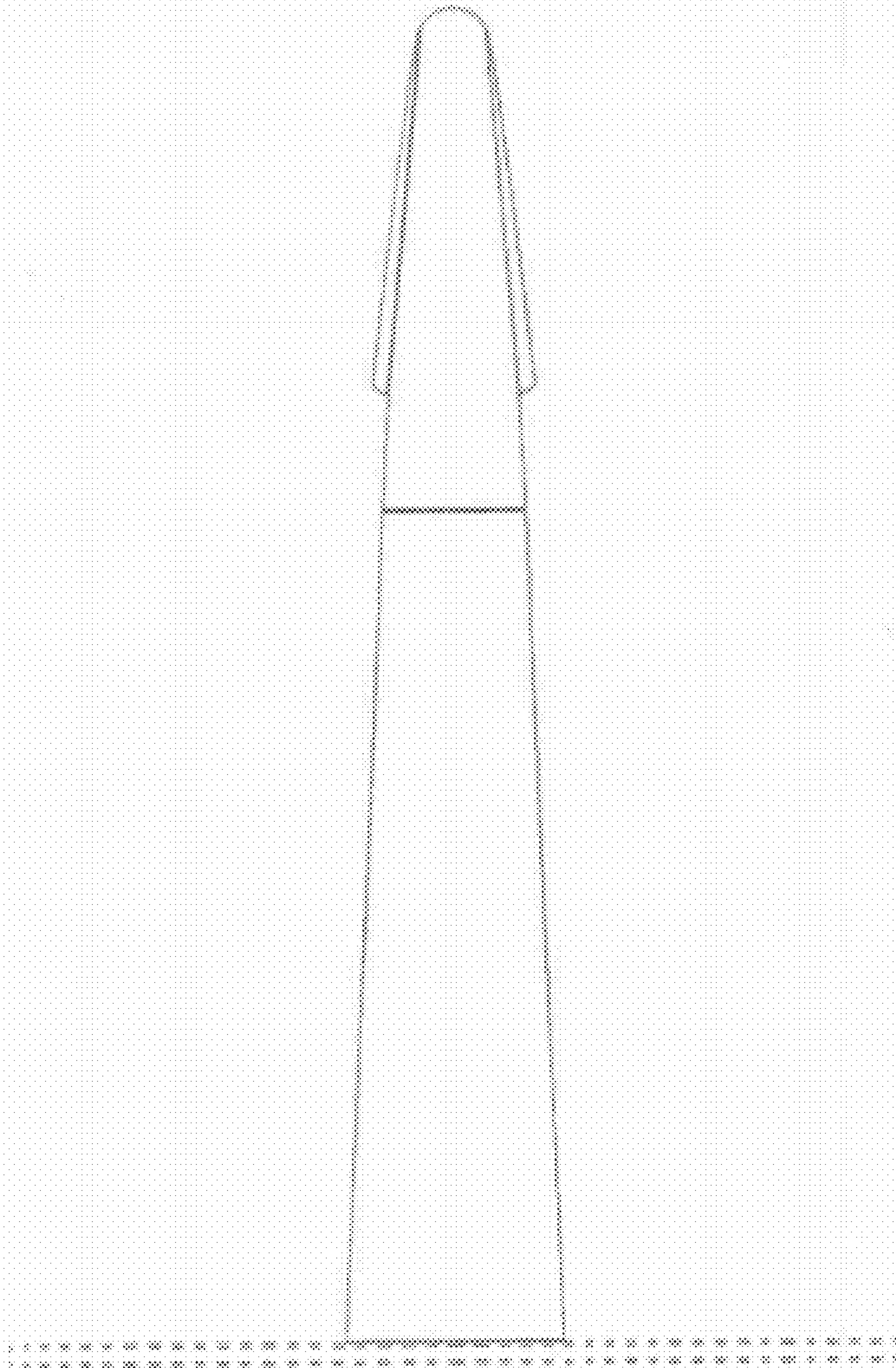


FIG. 4

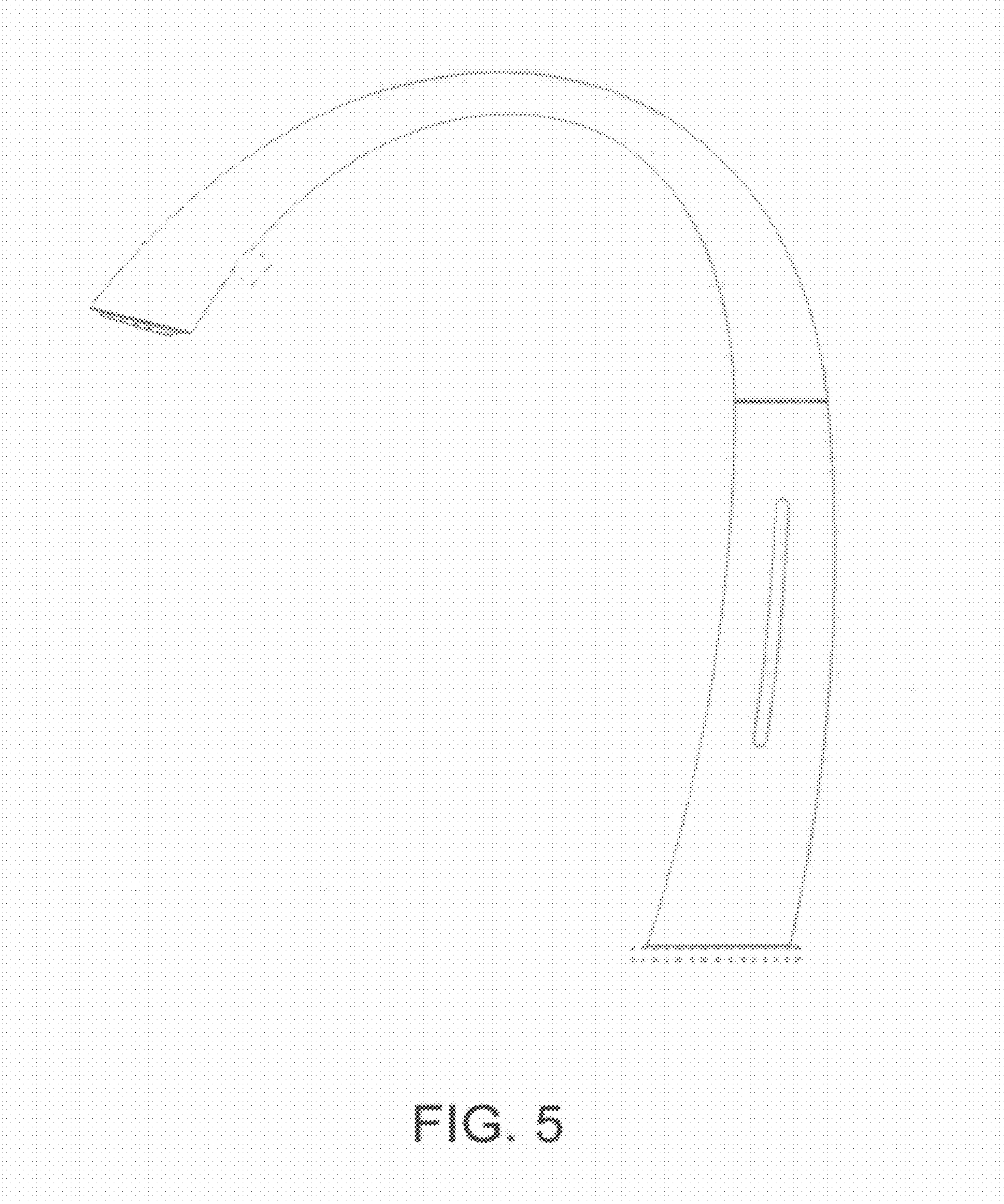


FIG. 5



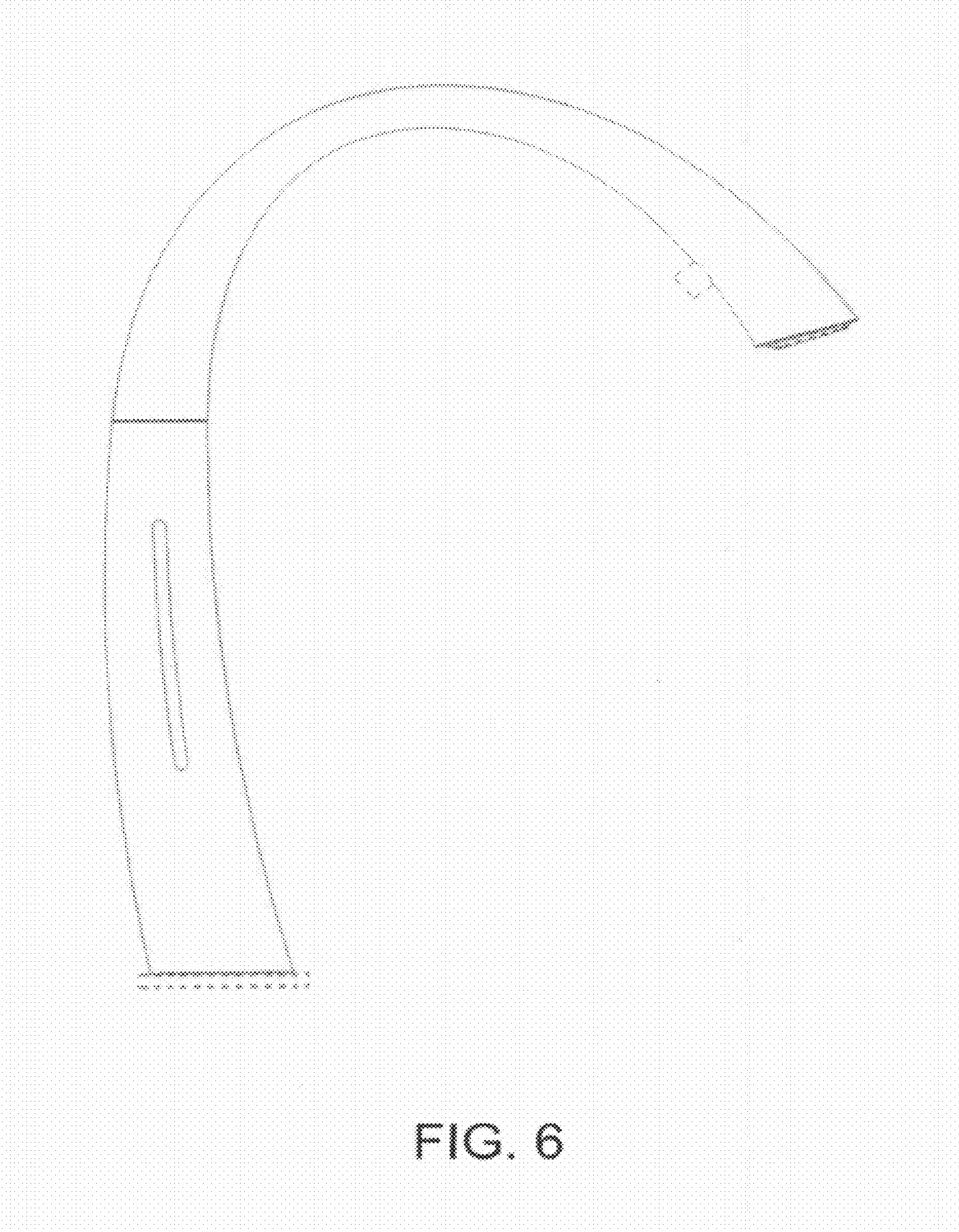


FIG. 6

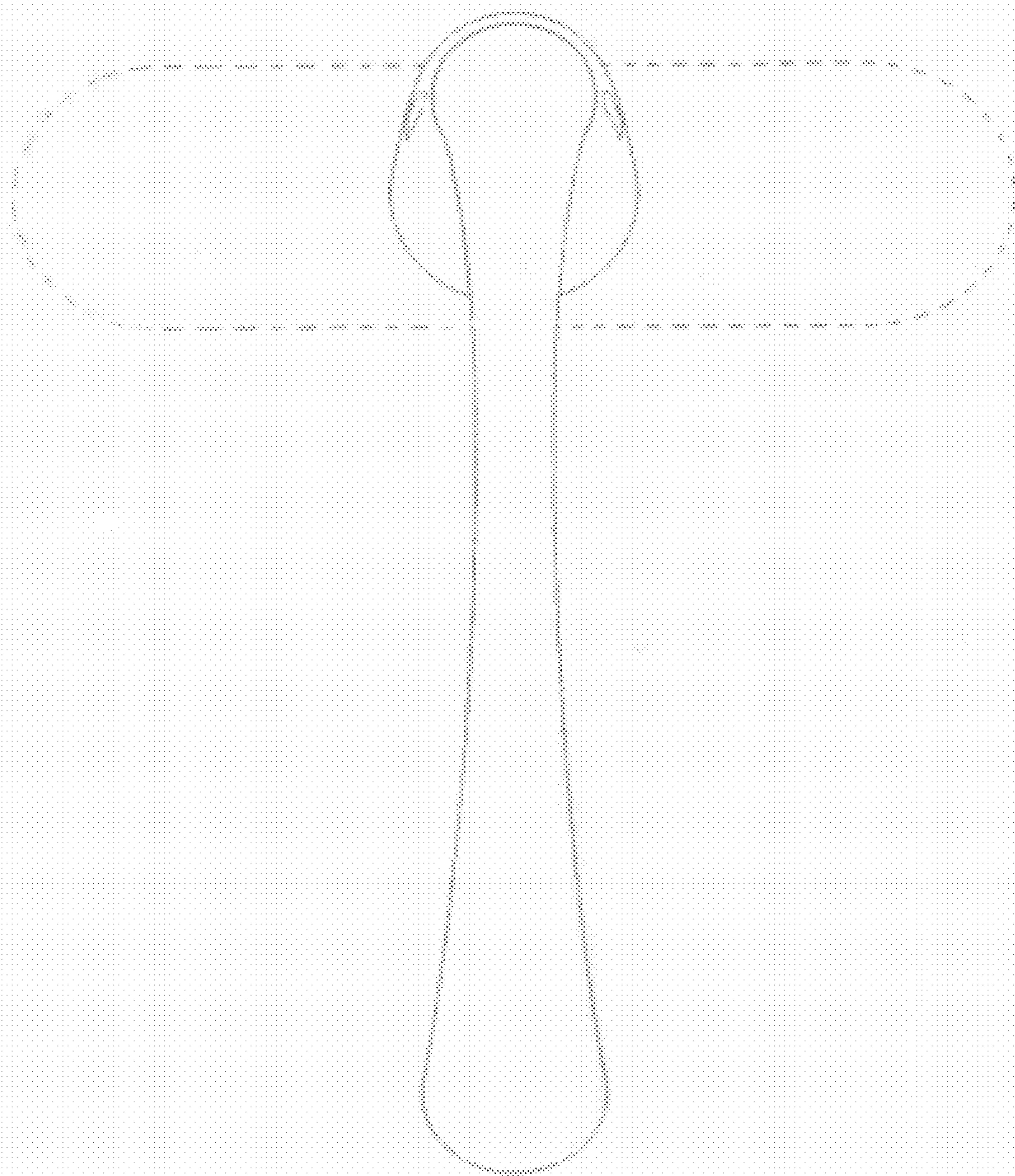


FIG. 7



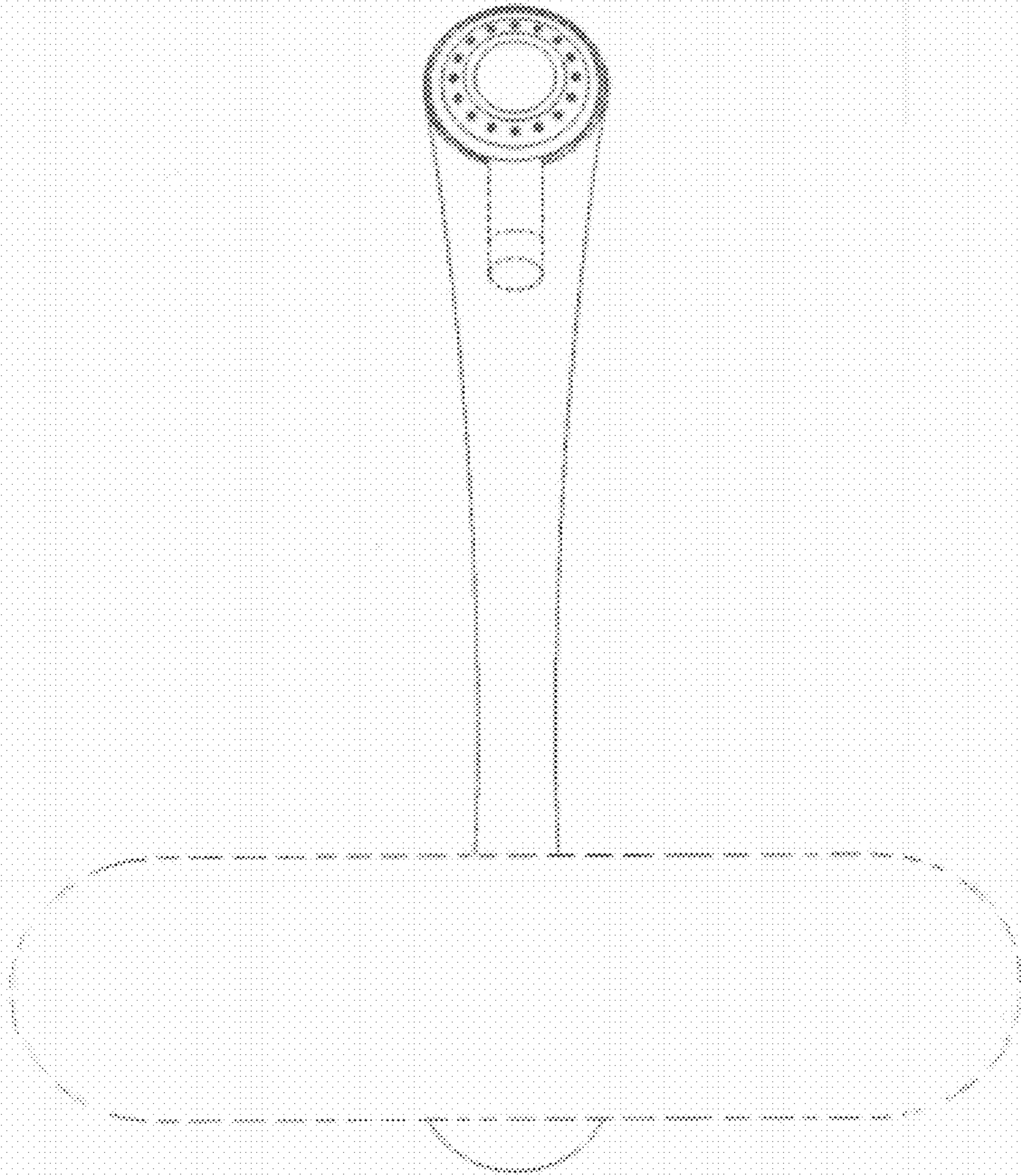


FIG. 8