



US00D657436S

(12) **United States Design Patent**  
**Tsai**

(10) **Patent No.:** **US D657,436 S**

(45) **Date of Patent:** **\*\* Apr. 10, 2012**

(54) **FAN GRILL FOR TRAPPING MOSQUITOS**

D608,437 S \* 1/2010 Wawoe et al. .... D23/382  
D612,445 S \* 3/2010 Galili ..... D22/122

(75) Inventor: **Yi-Yi Tsai**, New Taipei (TW)

\* cited by examiner

(73) Assignee: **Invictus International Co., Ltd.**, New Taipei (TW)

*Primary Examiner* — Catheri Oliver

(74) *Attorney, Agent, or Firm* — WPAT, P.C.; Anthony King

(\*\*) Term: **14 Years**

(57) **CLAIM**

(21) Appl. No.: **29/397,422**

The ornamental design for a fan grill for trapping mosquitos, as shown and described.

(22) Filed: **Jul. 15, 2011**

**DESCRIPTION**

(51) **LOC (9) Cl.** ..... **22-06**

(52) **U.S. Cl.** ..... **D22/122**

(58) **Field of Classification Search** ..... D22/119–124;  
43/107, 112–113, 122, 124, 132.1, 131, 133;  
D23/381–382

FIG. 1 is a perspective view of a fan grill for trapping mosquitos showing my new design;  
FIG. 2 is a front view thereof;  
FIG. 3 is a rear view thereof;  
FIG. 4 is a left view thereof;  
FIG. 5 is a right view thereof;  
FIG. 6 is a top view thereof;  
FIG. 7 is a bottom view thereof; and,  
FIG. 8 is another perspective view thereof.

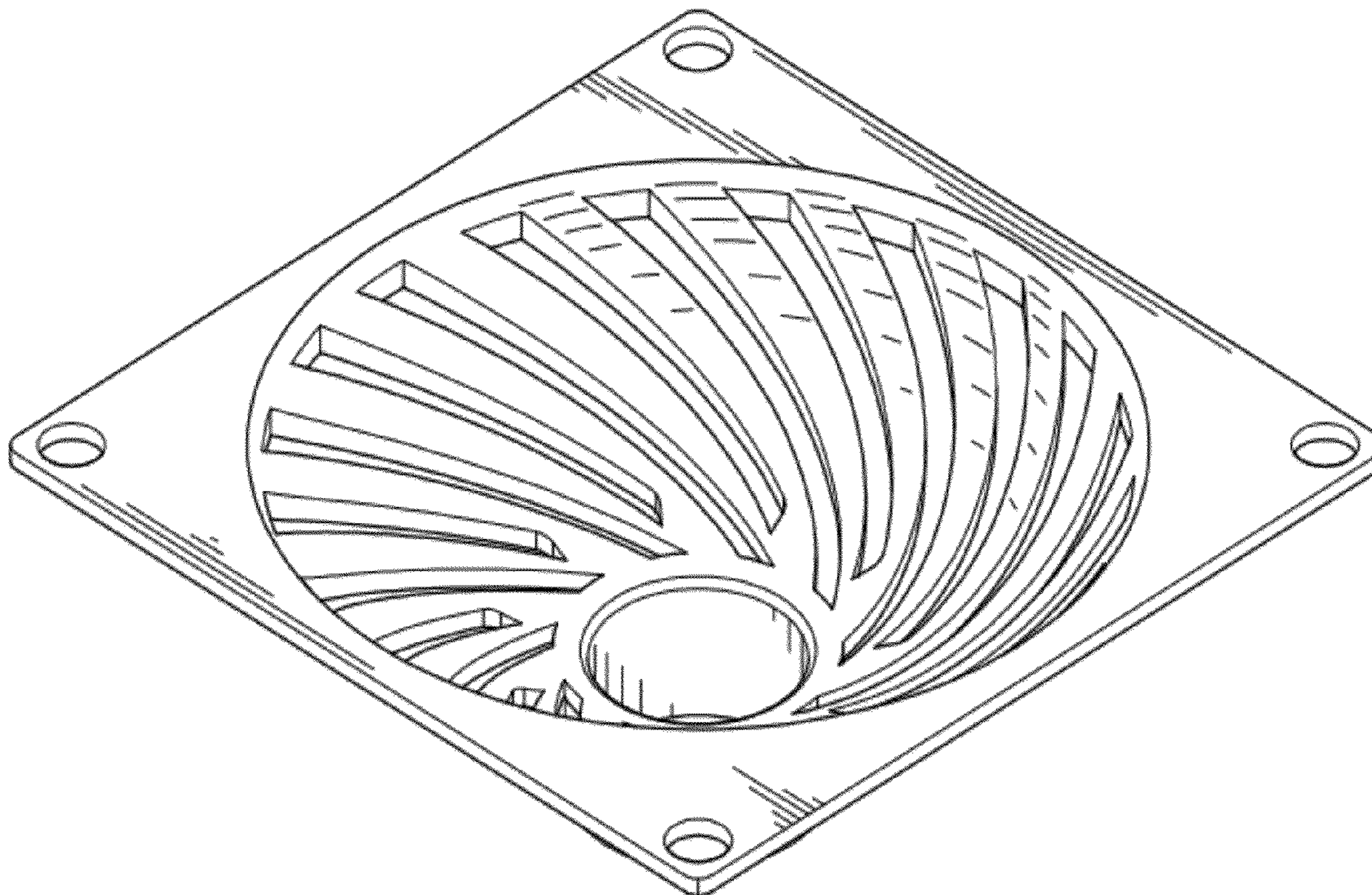
See application file for complete search history.

(56) **References Cited**

**U.S. PATENT DOCUMENTS**

D465,543 S \* 11/2002 Bertani ..... D22/123  
D565,721 S \* 4/2008 Chen ..... D23/382

**1 Claim, 6 Drawing Sheets**





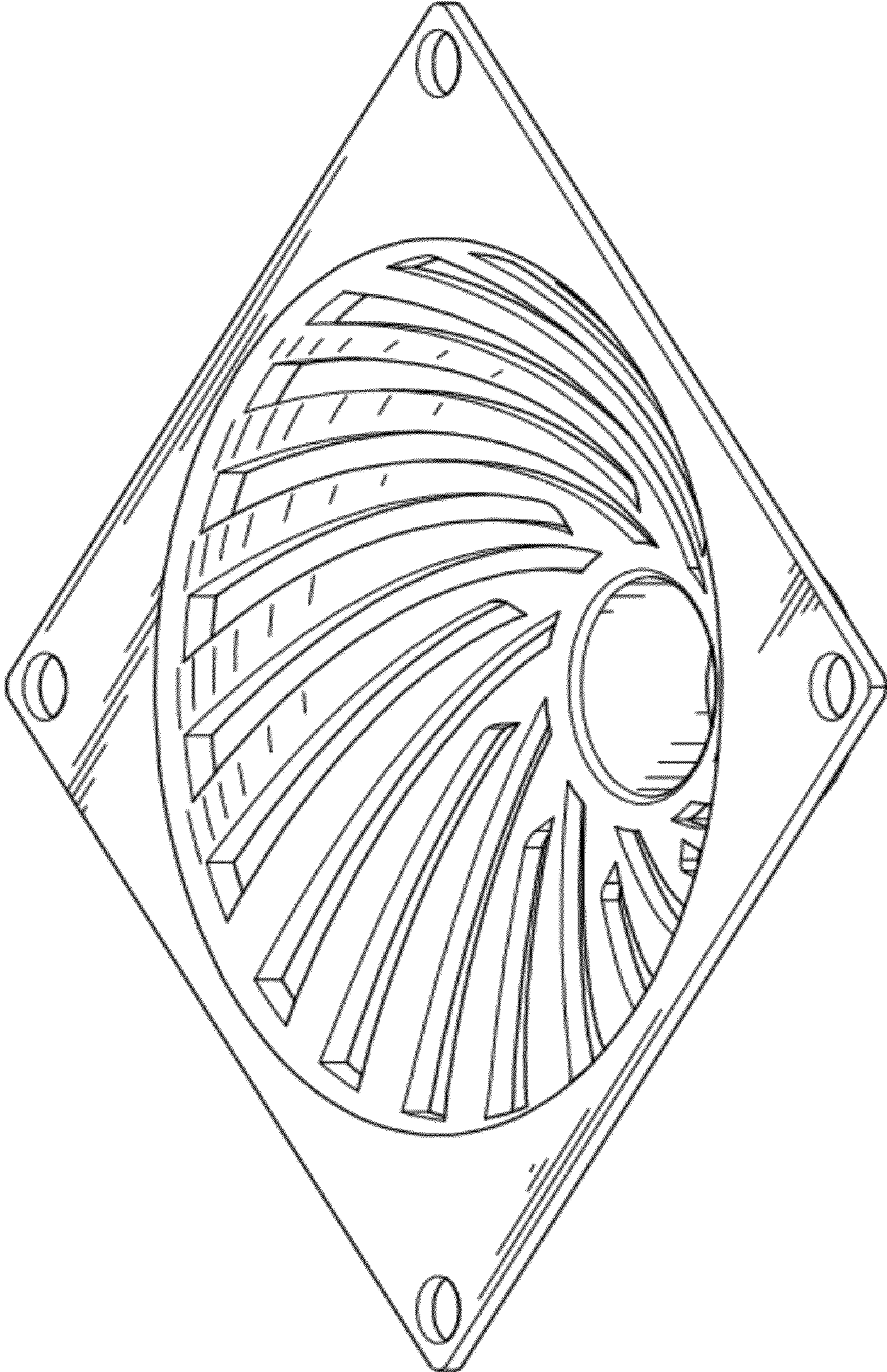


FIG. 1



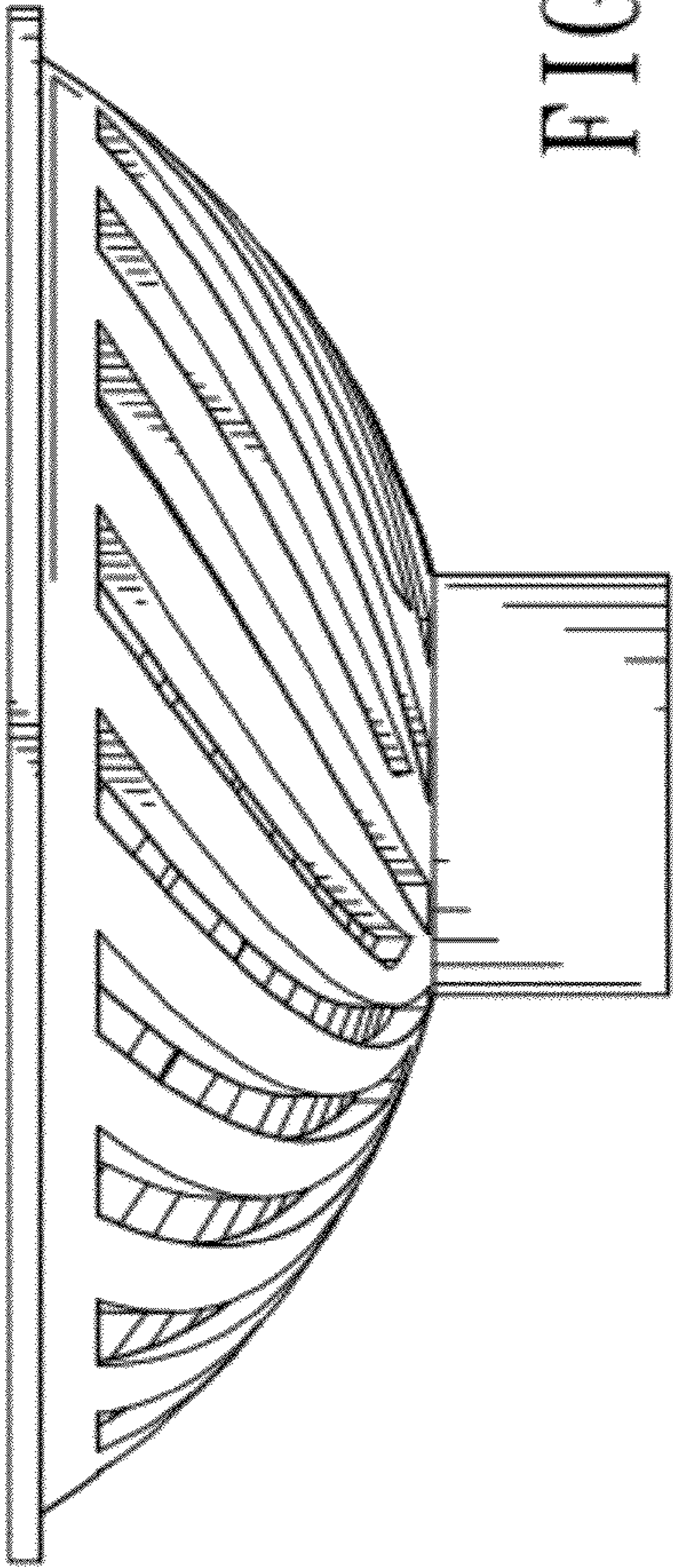


FIG. 2

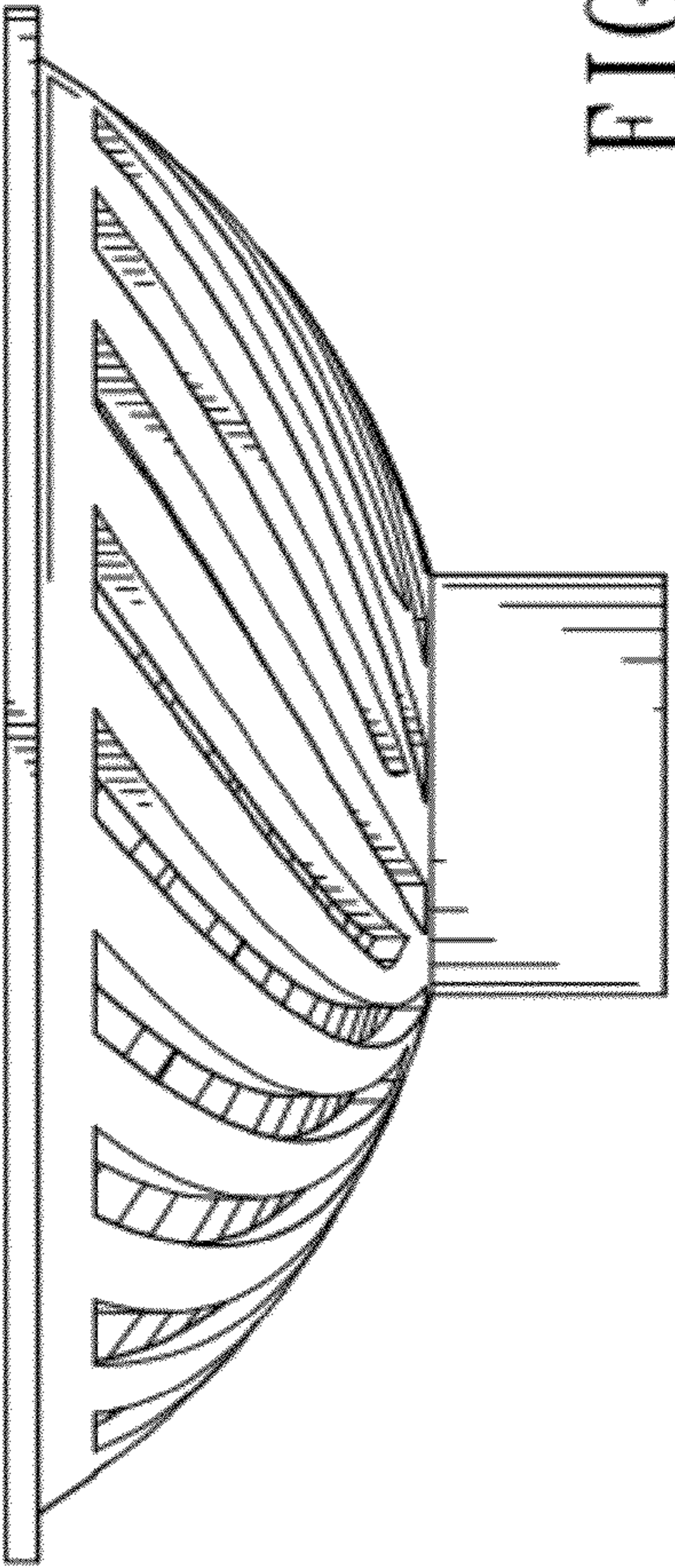


FIG. 3

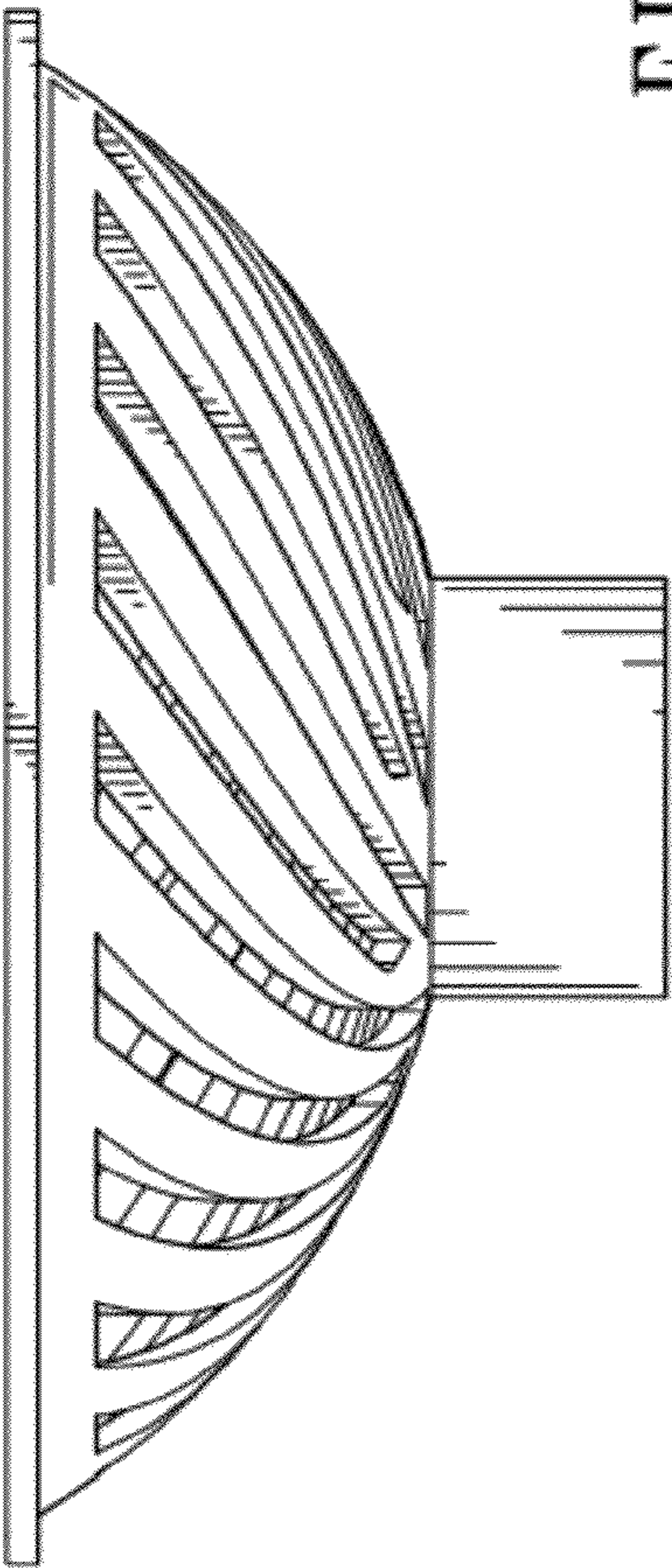


FIG. 4

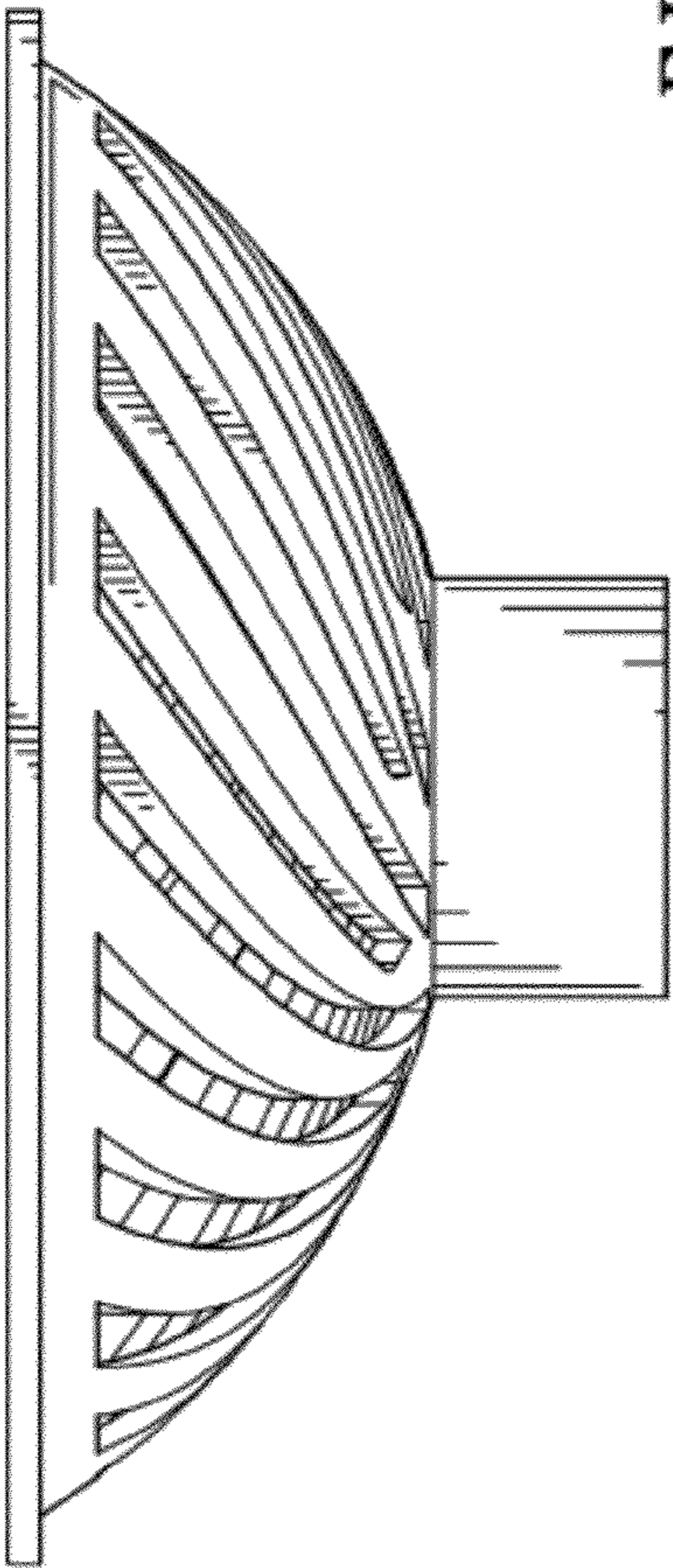


FIG. 5



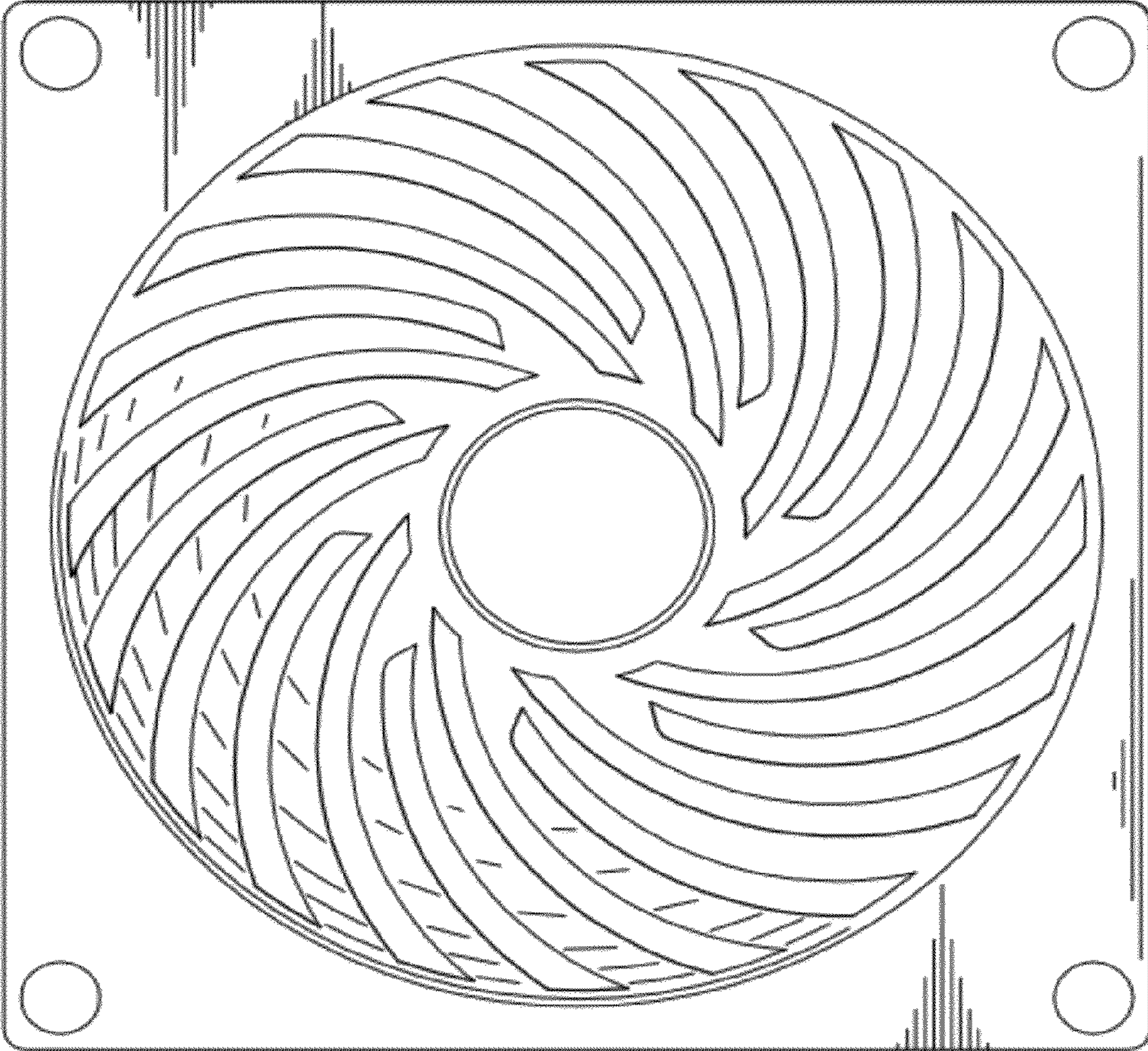


FIG. 6



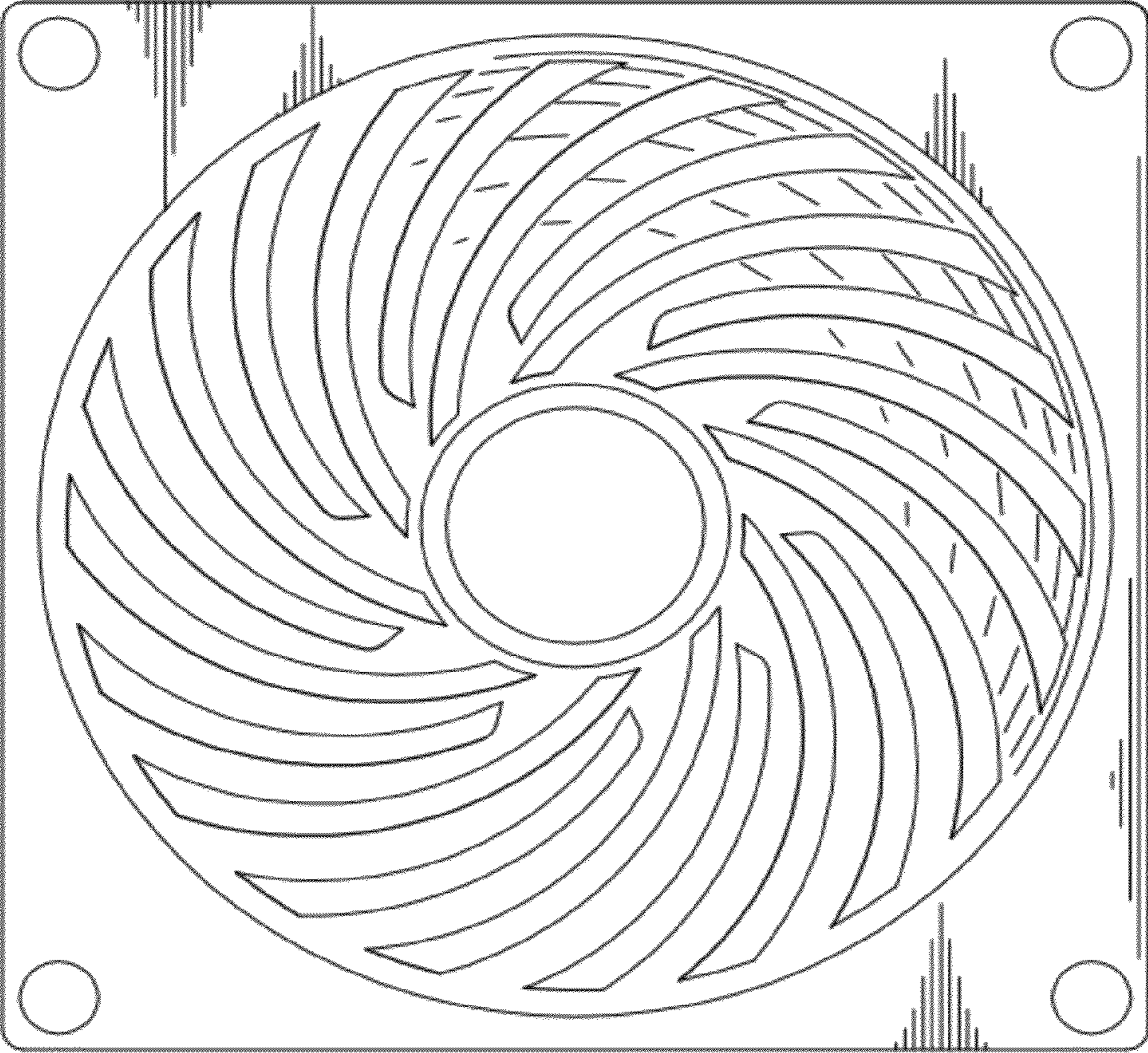


FIG. 7



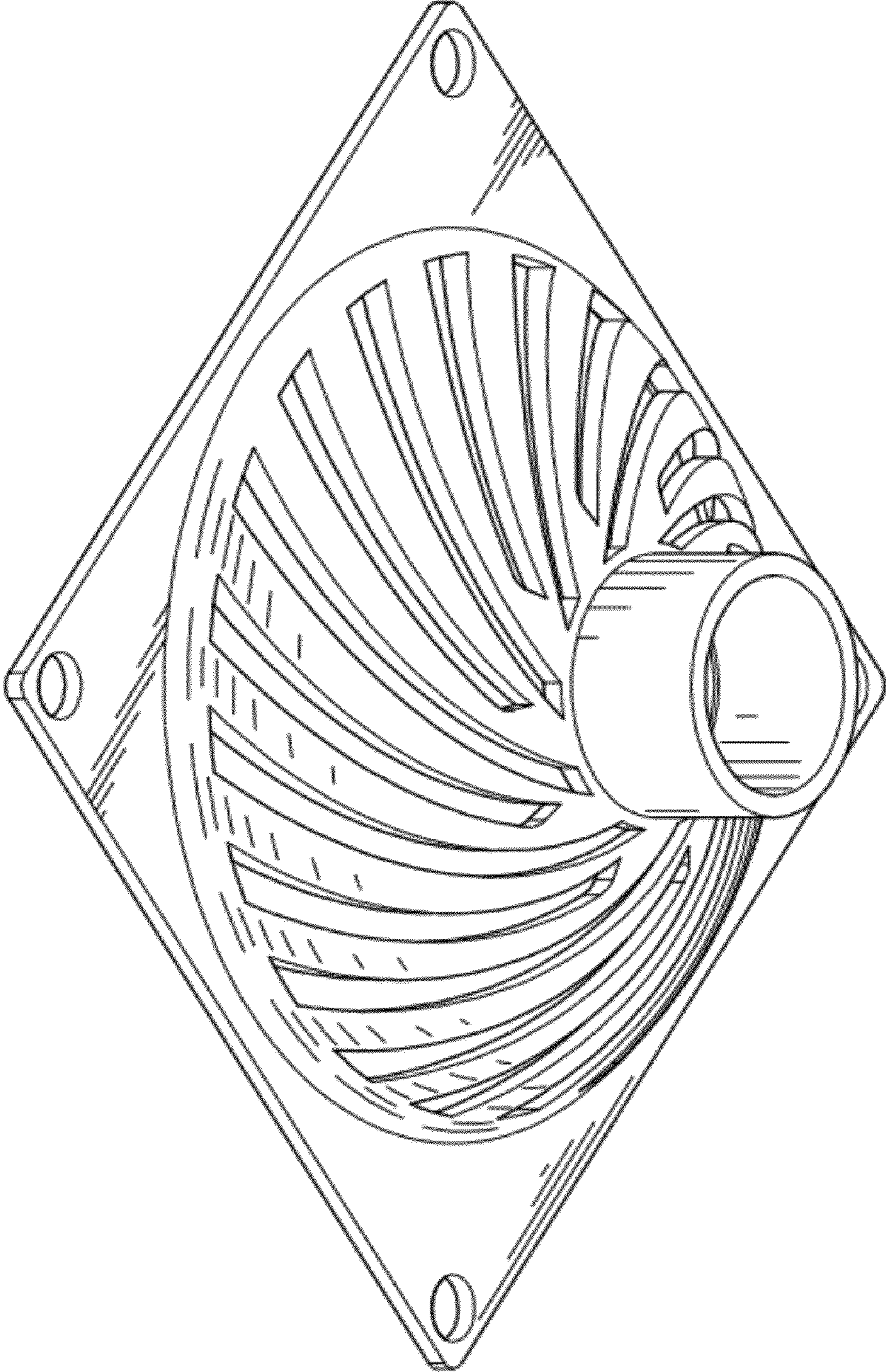


FIG. 8