



US00D657431S

(12) **United States Design Patent**
Chilton

(10) **Patent No.:** **US D657,431 S**
(45) **Date of Patent:** **** Apr. 10, 2012**

(54) **GOLF TEE**

(75) Inventor: **Donald T. Chilton**, Gastonia, NC (US)

(73) Assignee: **CKD Inc.**, Gastonia, NC (US)

(**) Term: **14 Years**

(21) Appl. No.: **29/398,215**

(22) Filed: **Jul. 27, 2011**

(51) **LOC (9) Cl.** **21-02**

(52) **U.S. Cl.** **D21/717**

(58) **Field of Classification Search** D21/715-721;
473/387-403

See application file for complete search history.

(56) **References Cited**

U.S. PATENT DOCUMENTS

1,551,207	A *	8/1925	Nial et al.	473/400
1,554,321	A *	9/1925	Banigan	473/388
1,678,944	A *	7/1928	Jacobsen	473/396
D81,315	S *	6/1930	McLeod	D21/717
D271,035	S *	10/1983	Pomerenke	D21/716
D337,364	S *	7/1993	Piper et al.	D21/717
6,110,060	A *	8/2000	Spoto	473/396
6,849,008	B1 *	2/2005	Wang	473/401
D533,241	S *	12/2006	Calhoon et al.	D21/717
7,156,758	B2	1/2007	Lu	
D562,420	S	2/2008	Khamsitthisack et al.	
D576,236	S *	9/2008	Kelley	D21/717
D597,156	S	7/2009	Chudy	
D602,543	S *	10/2009	Simazaki	D21/717
7,604,554	B2	10/2009	Otsubo	
D604,375	S *	11/2009	Steinhobel	D21/717
7,951,018	B2 *	5/2011	Caya	473/387
2004/0185967	A1 *	9/2004	McDonough et al.	473/387
2009/0325726	A1 *	12/2009	Humphrey	473/278

FOREIGN PATENT DOCUMENTS

GB	2032524	*	1/1994
GB	2386076	A *	9/2003
JP	01190375	A *	7/1989
JP	2005065945	A *	3/2005
JP	D1250184	*	9/2005
JP	D1294969	*	2/2007
JP	D1294970	*	2/2007
JP	D1366039	*	8/2009
JP	D1419188	*	7/2011

* cited by examiner

Primary Examiner — Catherine Tuttle

(74) *Attorney, Agent, or Firm* — Everman Law Firm, PA;
Gregory R. Everman

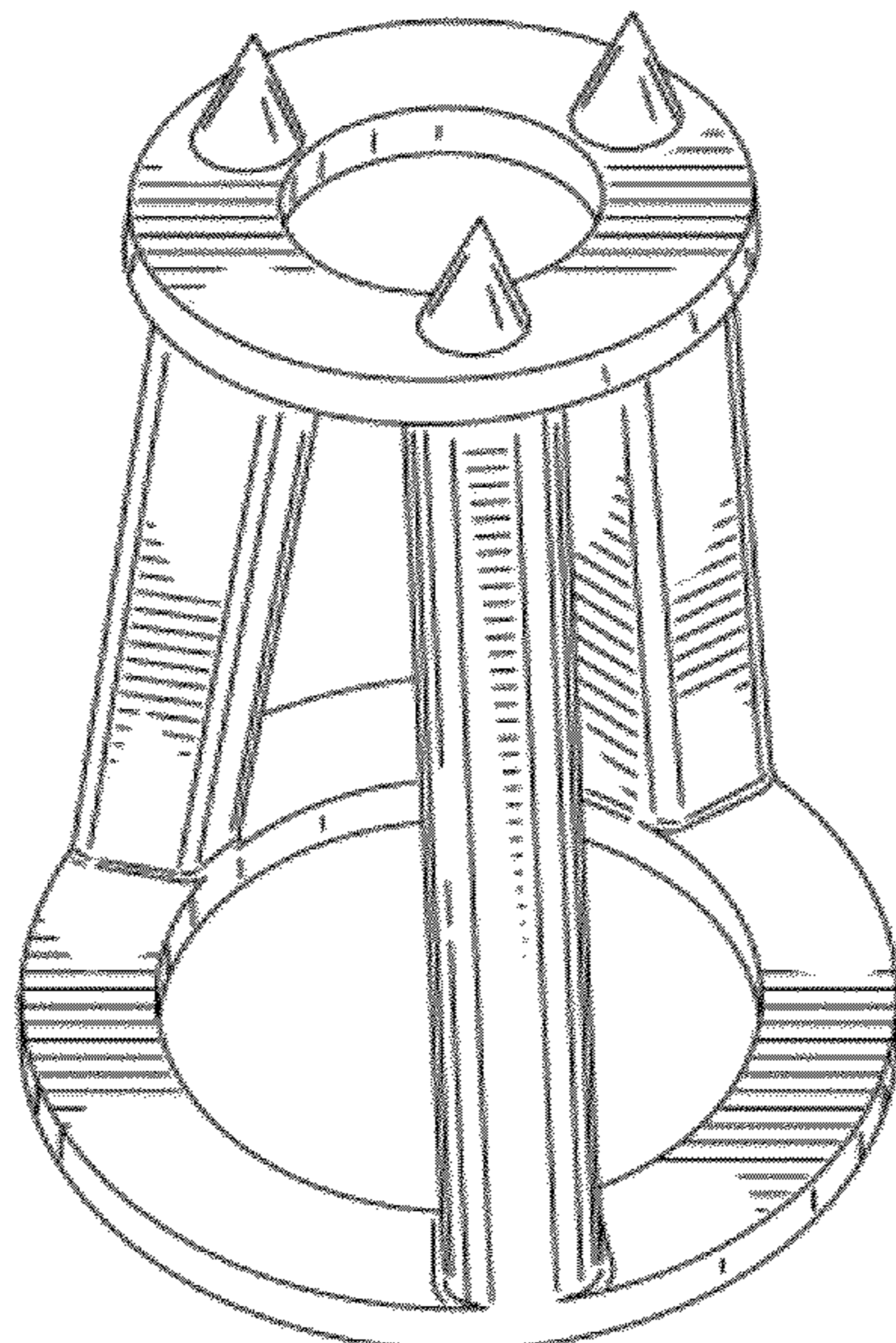
(57) **CLAIM**

The ornamental design for a golf tee, as shown and described.

DESCRIPTION

FIG. 1 is a top and front perspective view of a golf tee showing my new design;
 FIG. 2 is a front elevational view thereof;
 FIG. 3 is a rear elevational view thereof;
 FIG. 4 is a left side view thereof;
 FIG. 5 is a right side view thereof;
 FIG. 6 is a top plan view thereof;
 FIG. 7 is a bottom plan view thereof; and,
 FIG. 8 is top and front perspective view thereof shown in use condition placed on a surface and with a golf ball placed thereon.
 The broken lines showing a surface and a golf ball are for illustrative purposes only and form no part of the claimed design.

1 Claim, 8 Drawing Sheets



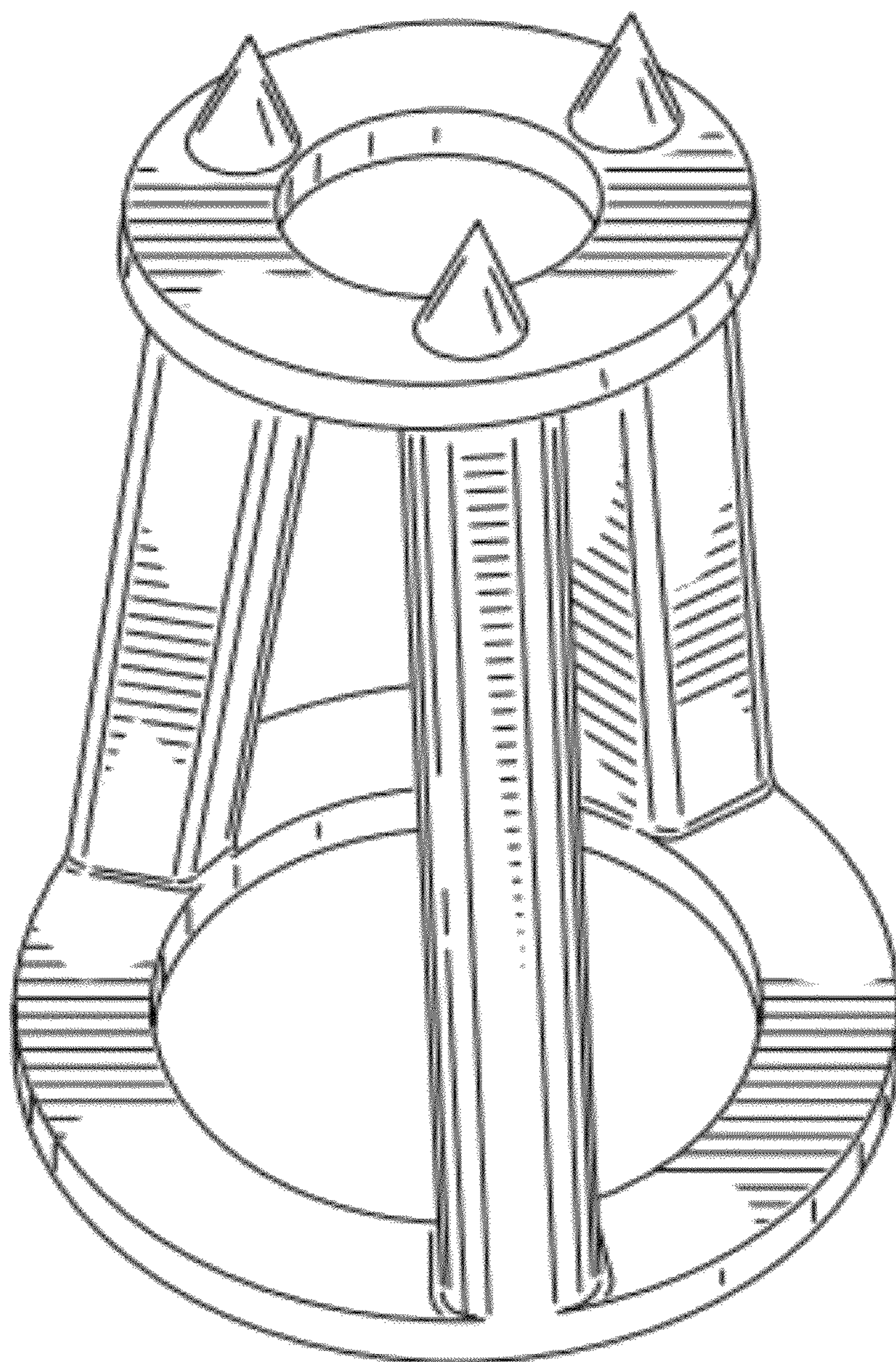


FIG. 1

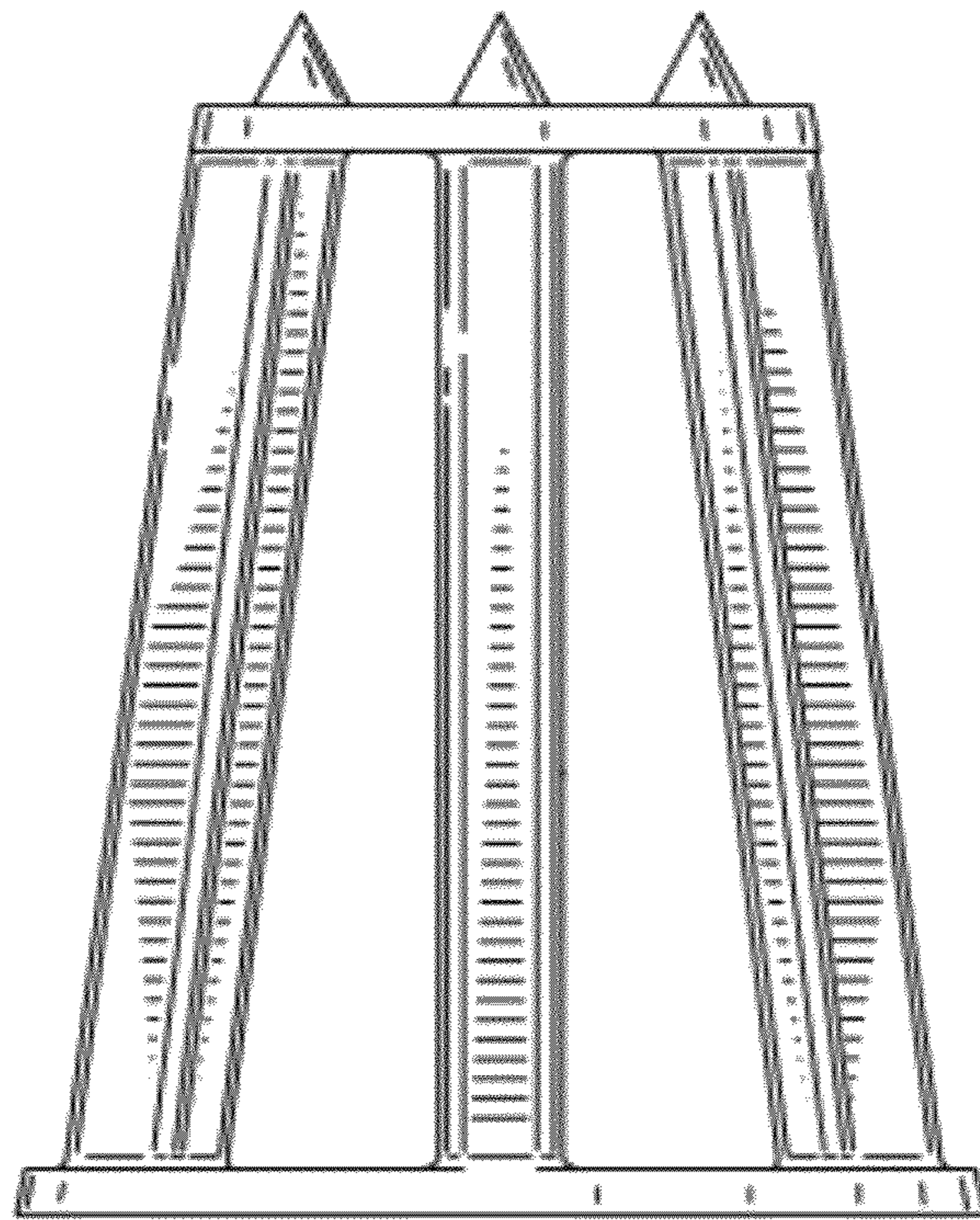


FIG. 2

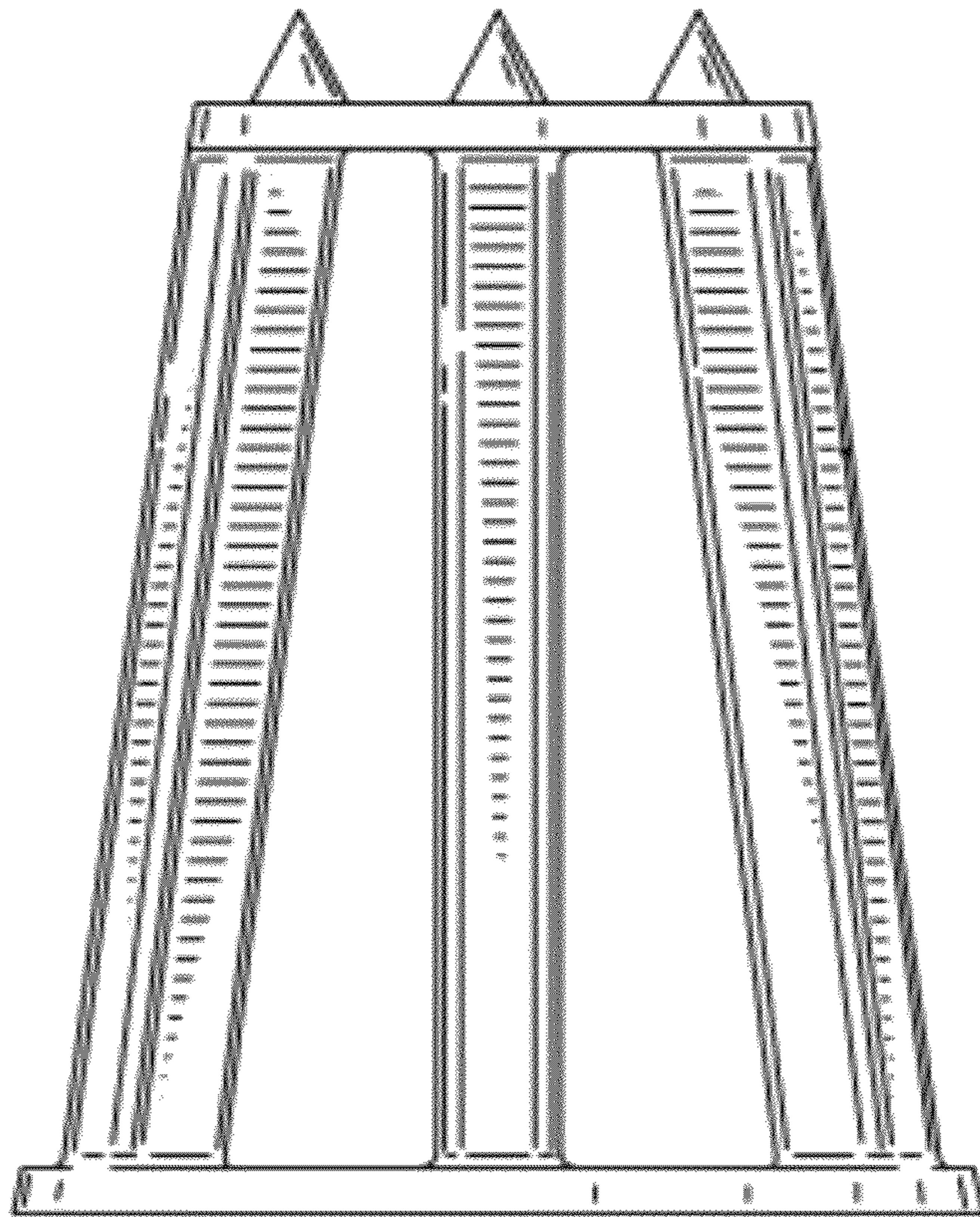


FIG. 3

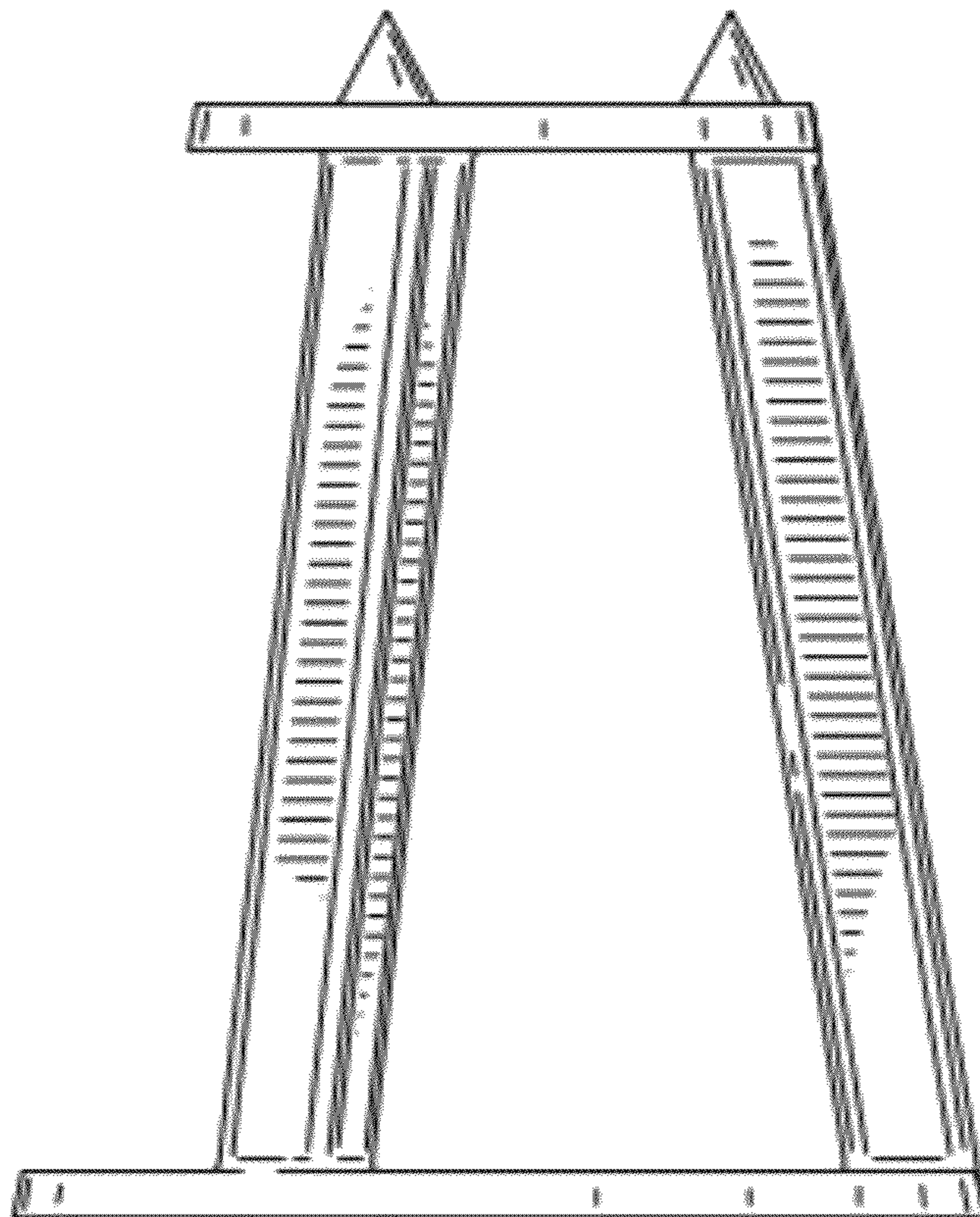


FIG. 4

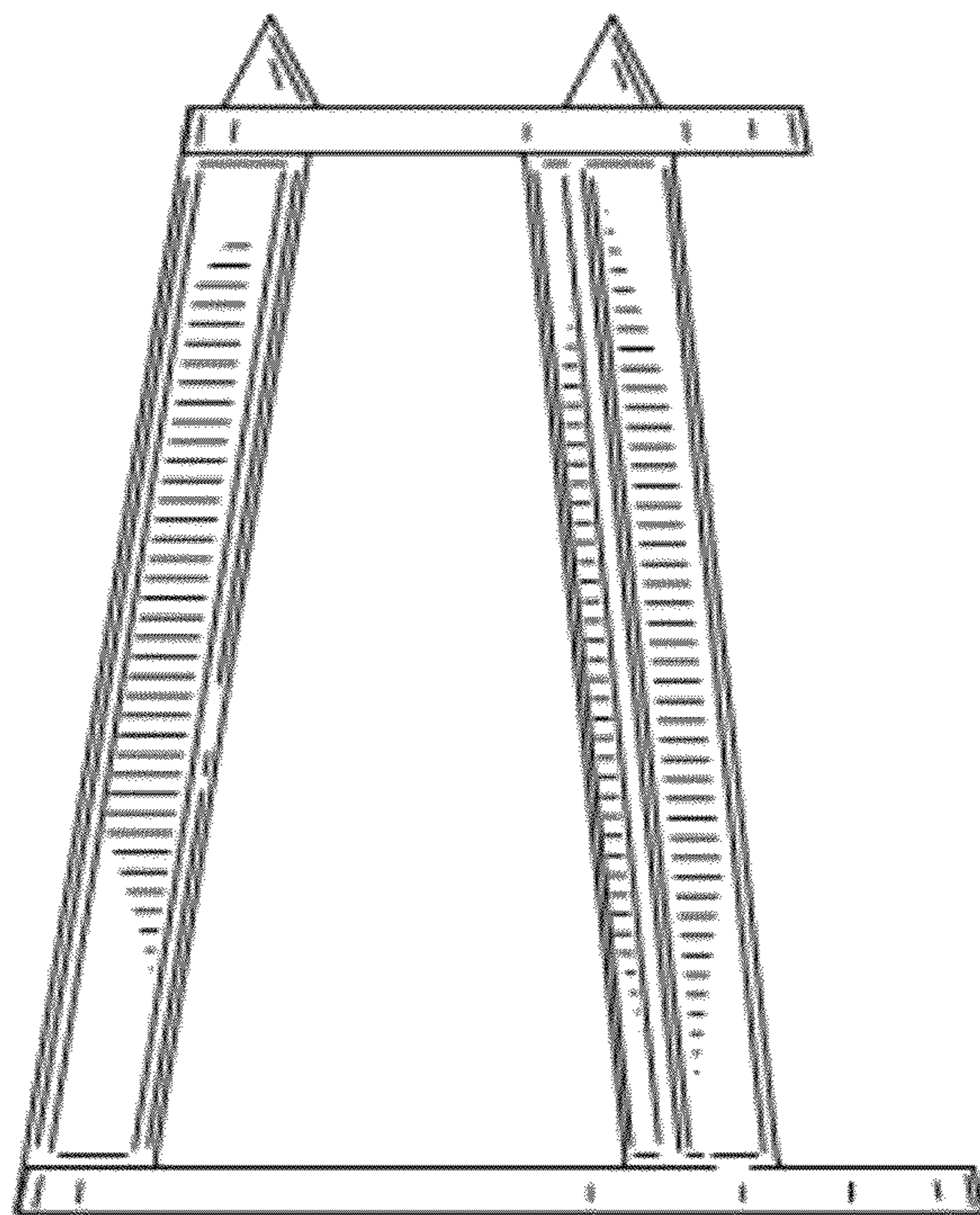


FIG. 5

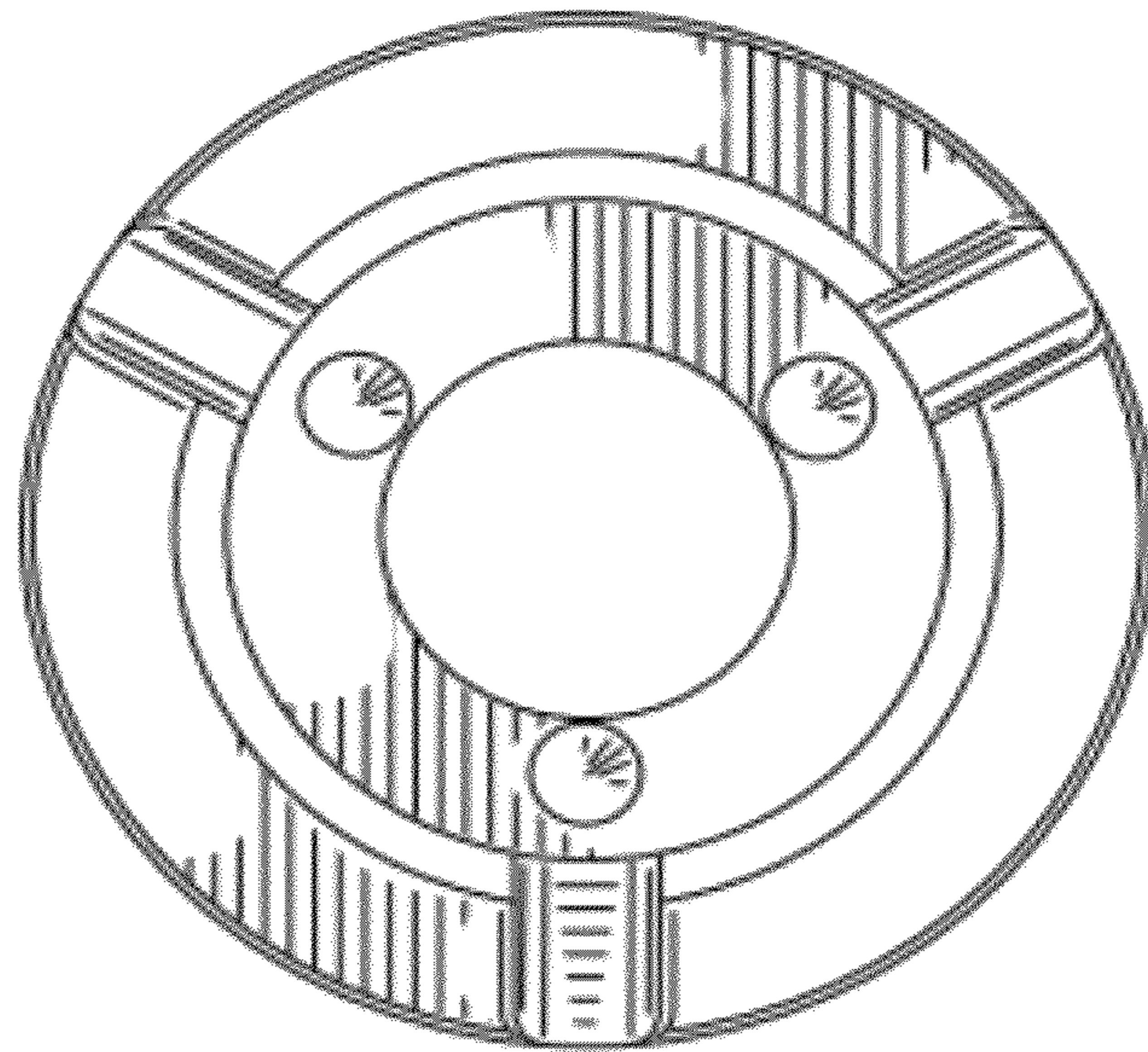


FIG. 6

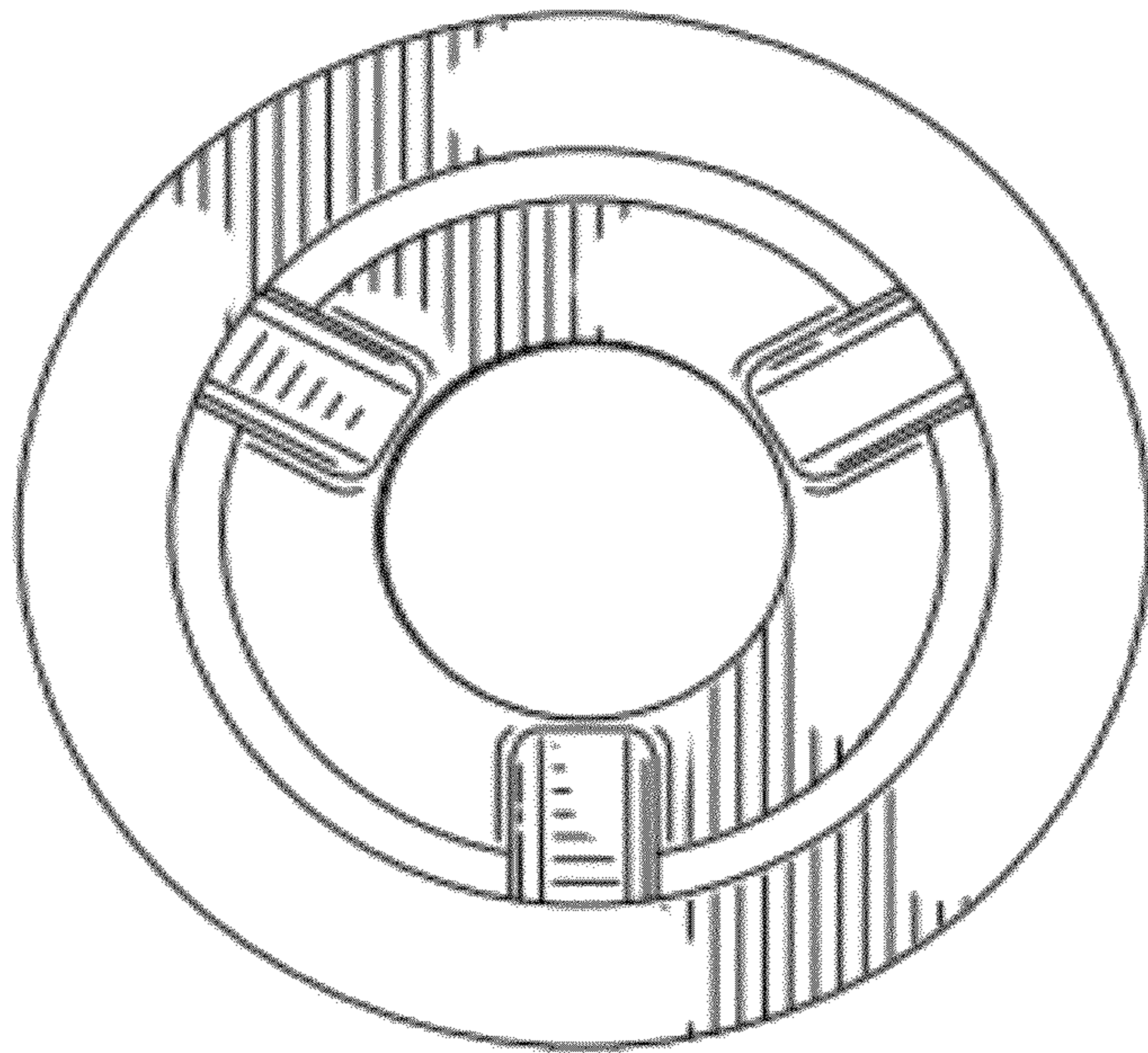


FIG. 7

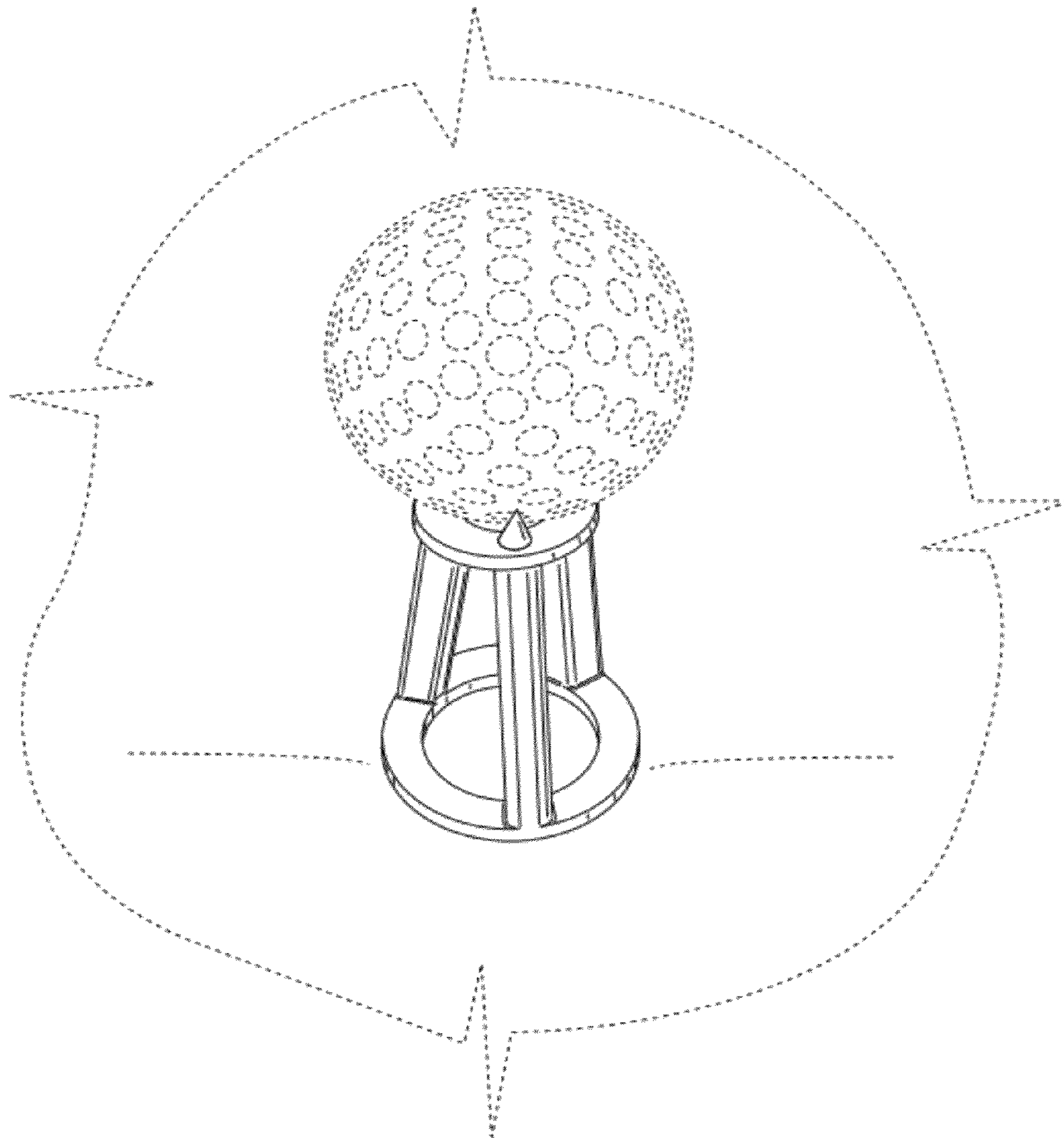


FIG. 8