

US00D657427S

(12) **United States Design Patent**  
**Gelinotte et al.**

(10) **Patent No.:** **US D657,427 S**  
(45) **Date of Patent:** **\*\* Apr. 10, 2012**

(54) **RFID CHIP TRAY**

5,489,101 A \* 2/1996 Moody ..... D21/369  
D399,540 S \* 10/1998 Wolfenstein ..... D21/392  
D482,735 S \* 11/2003 Evans ..... D21/392

(75) Inventors: **Emmanuel Gelinotte**, Savigny les  
Beaune (FR); **Francisco Javier Moreno**,  
Yuma, AZ (US); **Gregory Gronau**, Las  
Vegas, NV (US); **Justin Woodard**, Las  
Vegas, NV (US)

\* cited by examiner

*Primary Examiner* — Sandra Morris

(74) *Attorney, Agent, or Firm* — Ronald C. Gorsché; Gordon  
Silver Ltd.

(73) Assignee: **Gaming Partners International USA,  
Inc.** NV (US)

(57) **CLAIM**

The ornamental design for a RFID chip tray, as shown and  
described.

(\*\*) Term: **14 Years**

(21) Appl. No.: **29/379,052**

**DESCRIPTION**

(22) Filed: **Nov. 12, 2010**

(51) **LOC (9) Cl.** ..... **21-01**

(52) **U.S. Cl.** ..... **D21/392; D21/385**

(58) **Field of Classification Search** ..... D21/369–370,  
D21/372, 375, 385, 392–393, 396–397; 273/138.1,  
273/139, 142 R; 463/17, 19, 20, 46–47

See application file for complete search history.

FIG. 1 is a top perspective view of an RFID chip tray showing  
my new ornamental design;

FIG. 2 is a bottom perspective view of the RFID chip tray  
shown in FIG. 1;

FIG. 3 is a top view of the RFID chip tray shown in FIG. 1;  
FIG. 4 is bottom view of the RFID chip tray shown in FIG. 1;  
FIG. 5 is a front view of the RFID chip tray shown in FIG. 1;  
FIG. 6 is a rear view of the RFID chip tray shown in FIG. 1;  
FIG. 7 is a right side view of the RFID chip tray shown in FIG.  
1; and,

FIG. 8 is a left side view of the RFID chip tray shown in FIG.  
1.

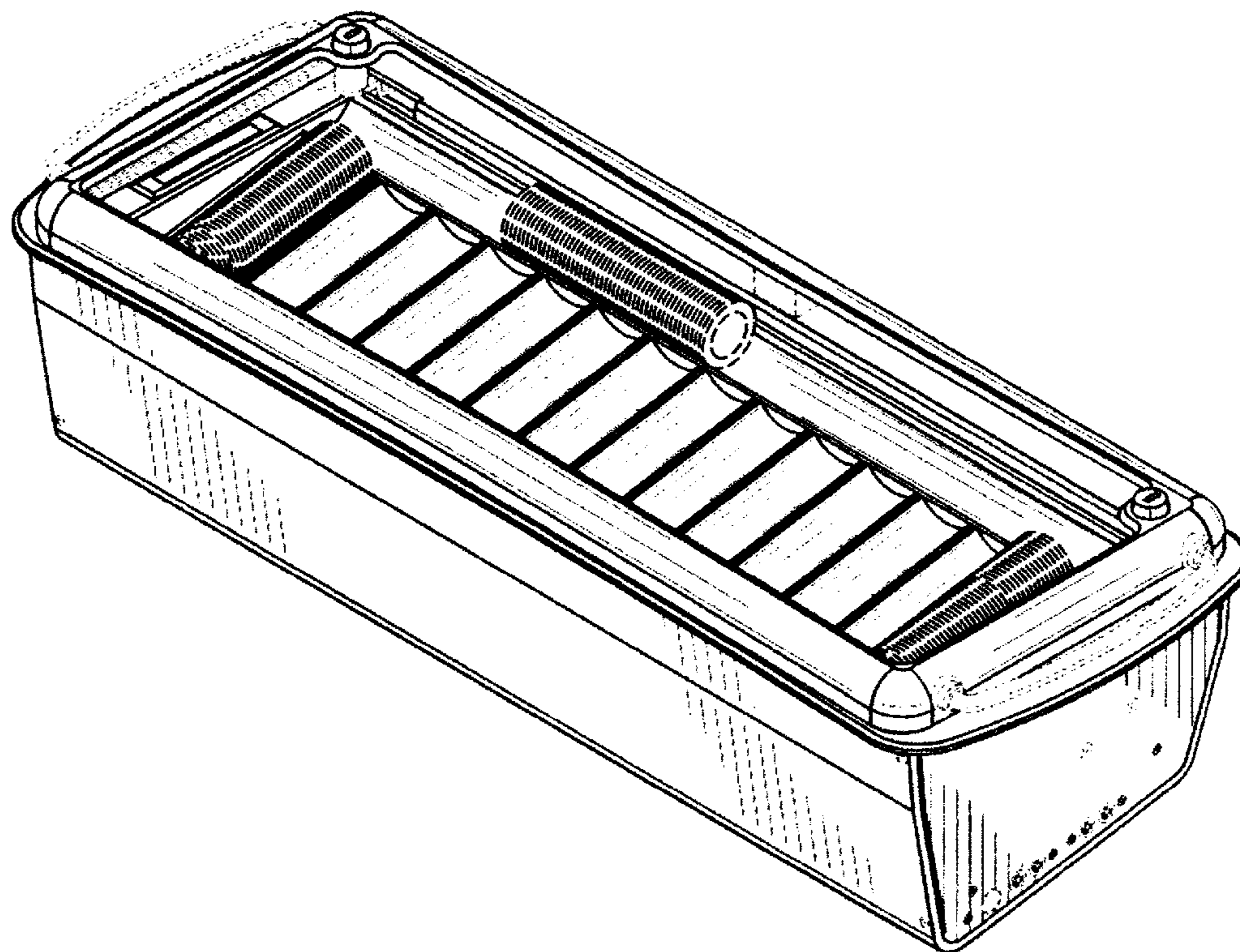
The broken line showing is for illustrative purposes only, and  
forms no part of the claimed design.

(56) **References Cited**

**U.S. PATENT DOCUMENTS**

3,306,462 A \* 2/1967 Da Cruz ..... 273/148 R  
D274,441 S \* 6/1984 Stevenson ..... D21/392  
D321,722 S \* 11/1991 Helm-Estabrooks  
et al. .... D21/392  
D330,734 S \* 11/1992 Luten ..... D21/392

**1 Claim, 6 Drawing Sheets**





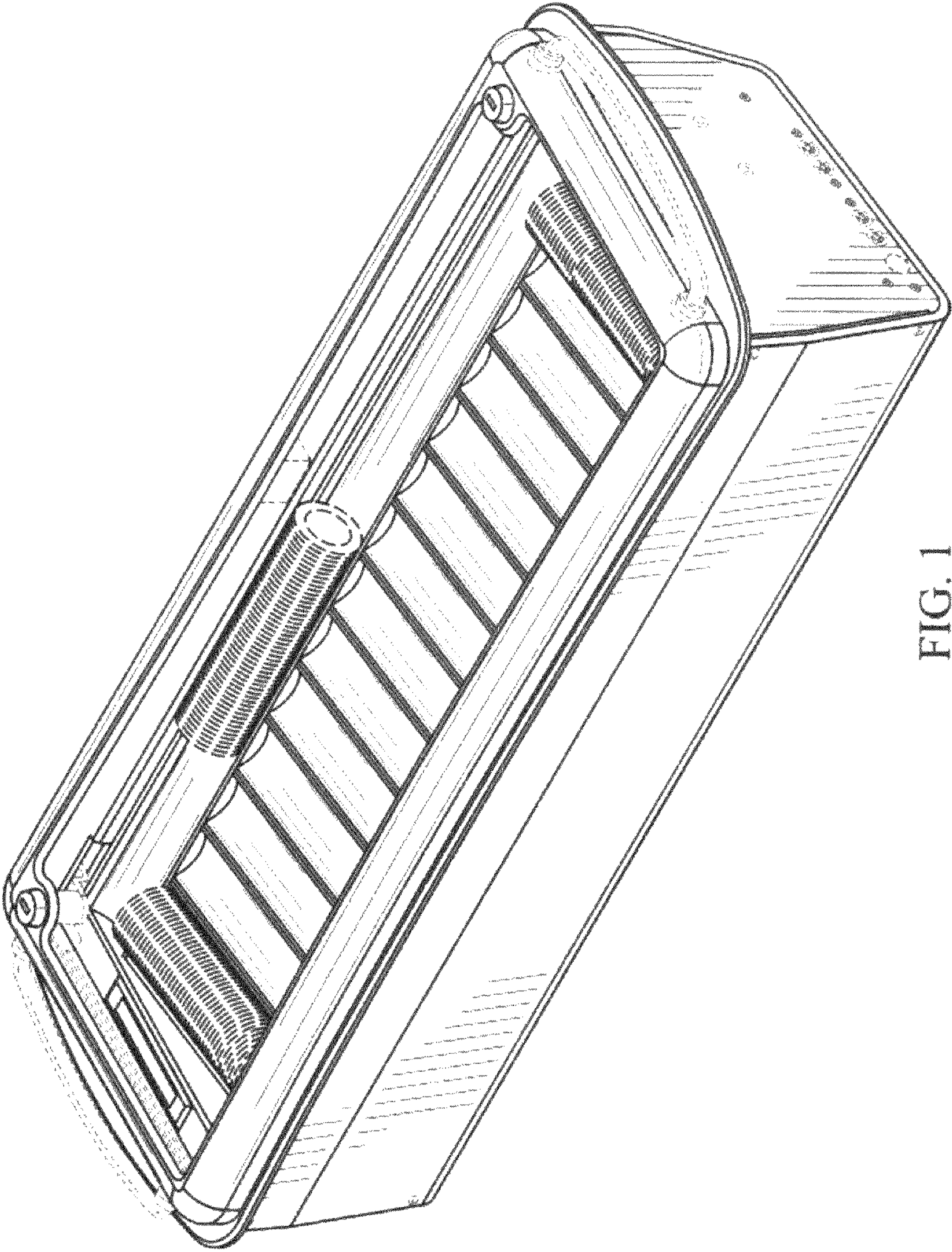


FIG. 1



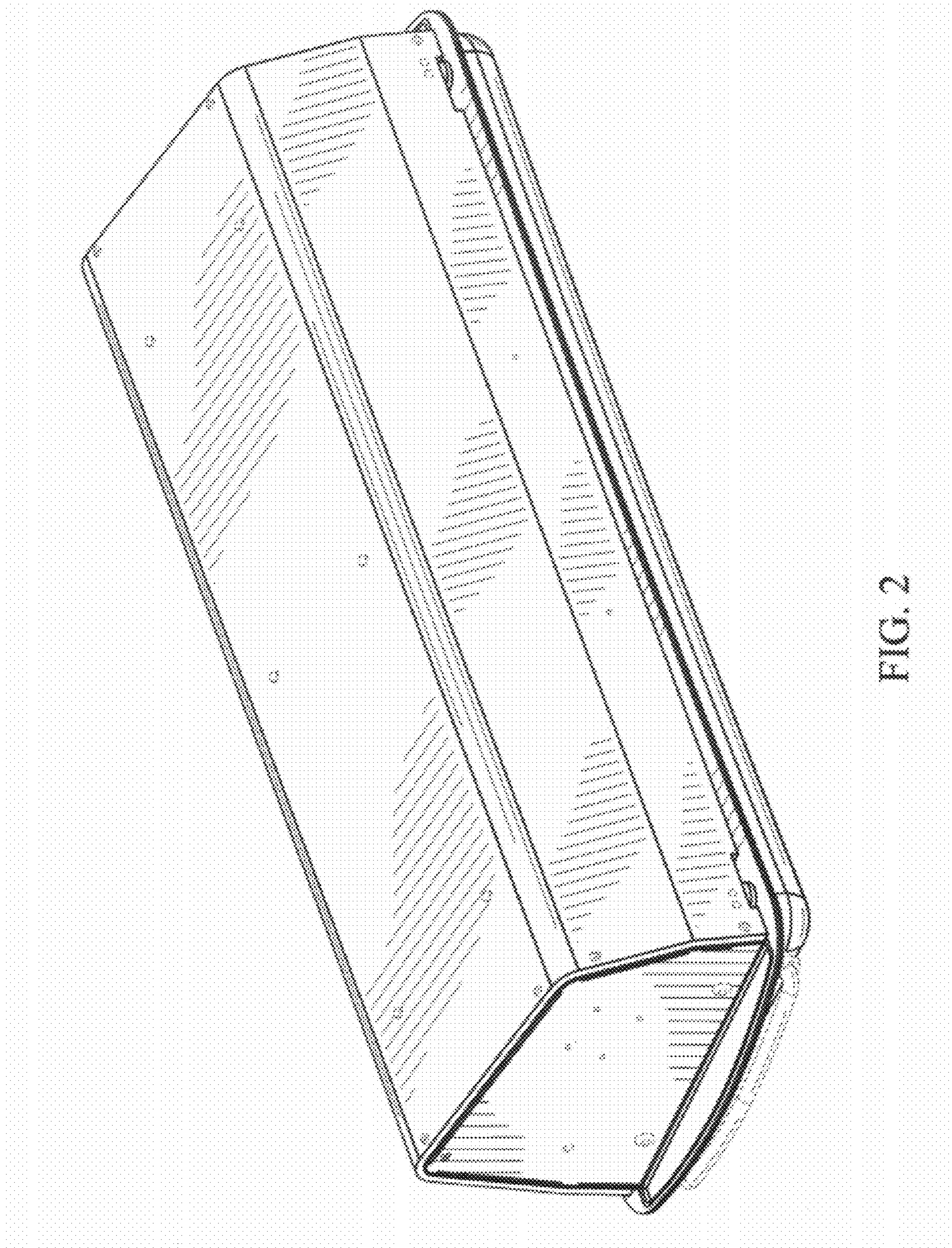


FIG. 2



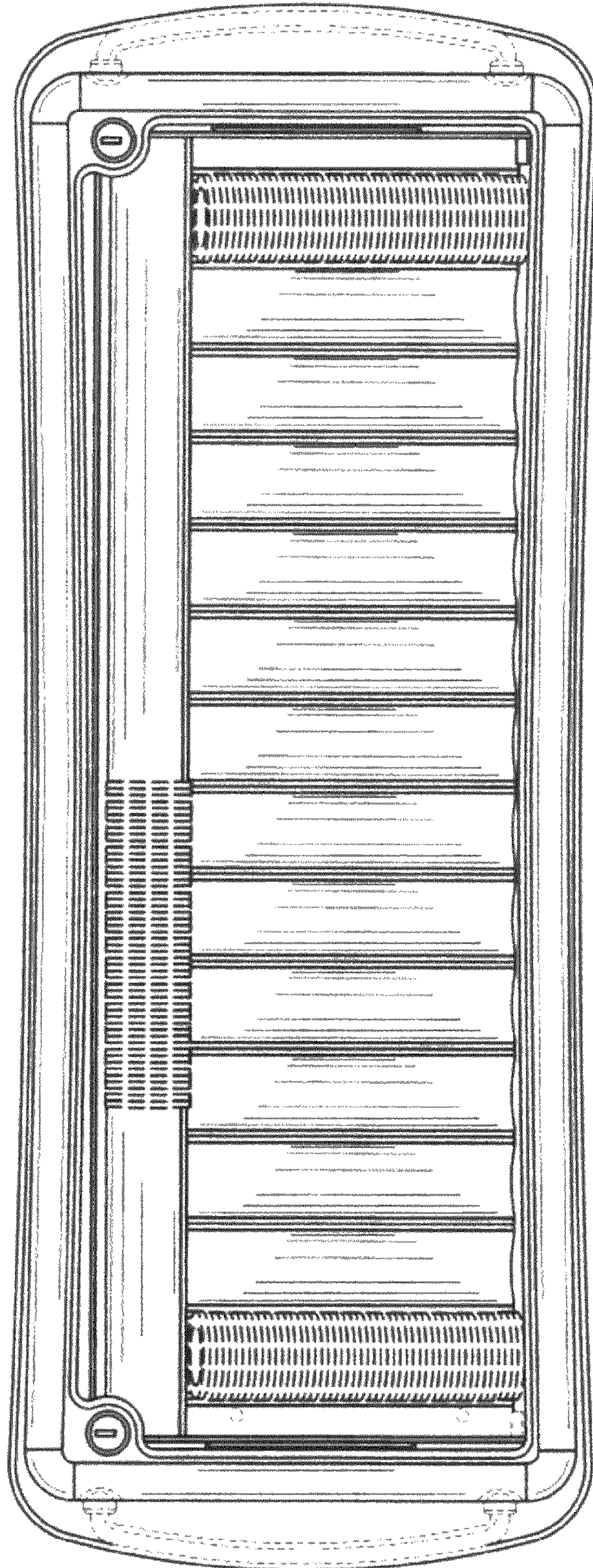


FIG. 3



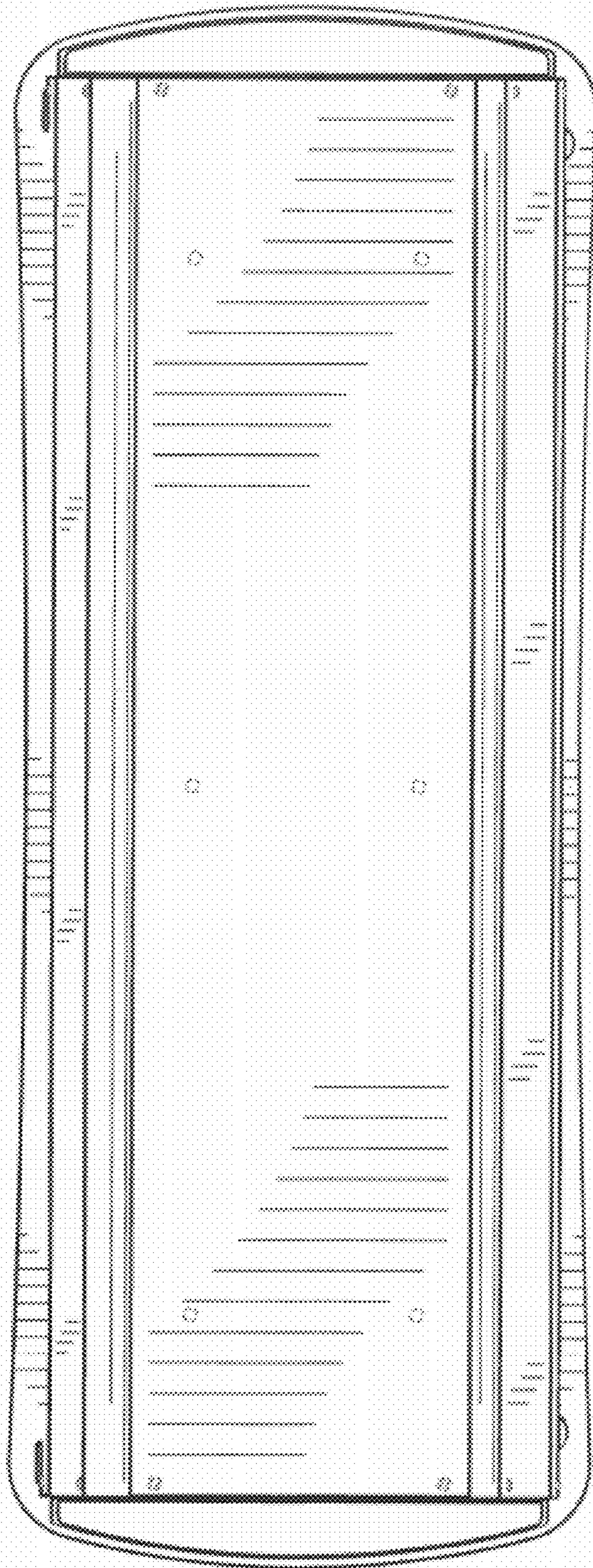


FIG. 4



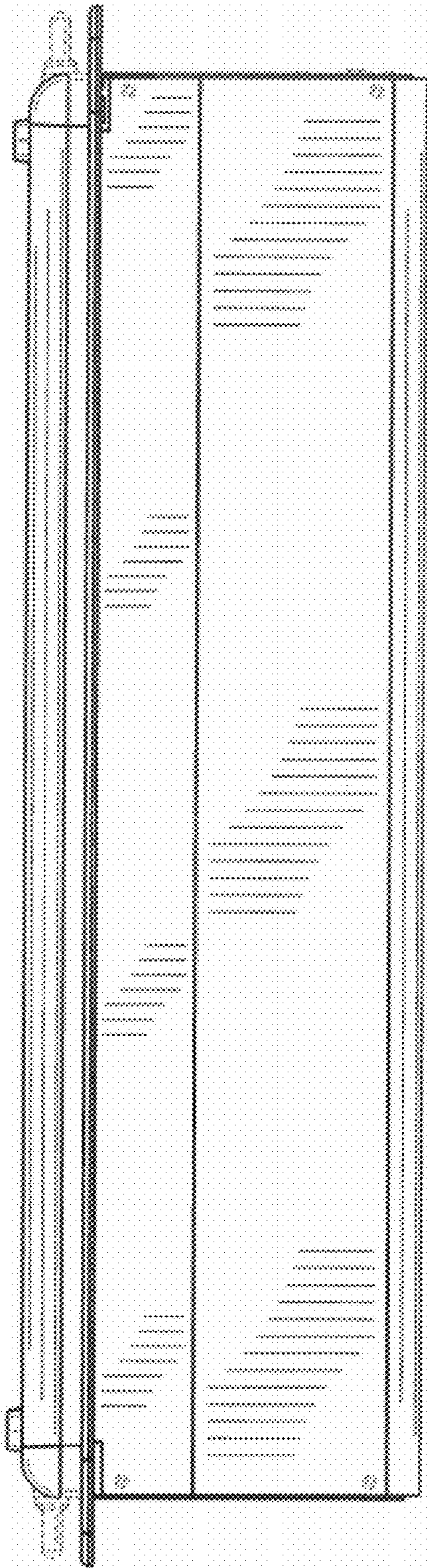


FIG. 5

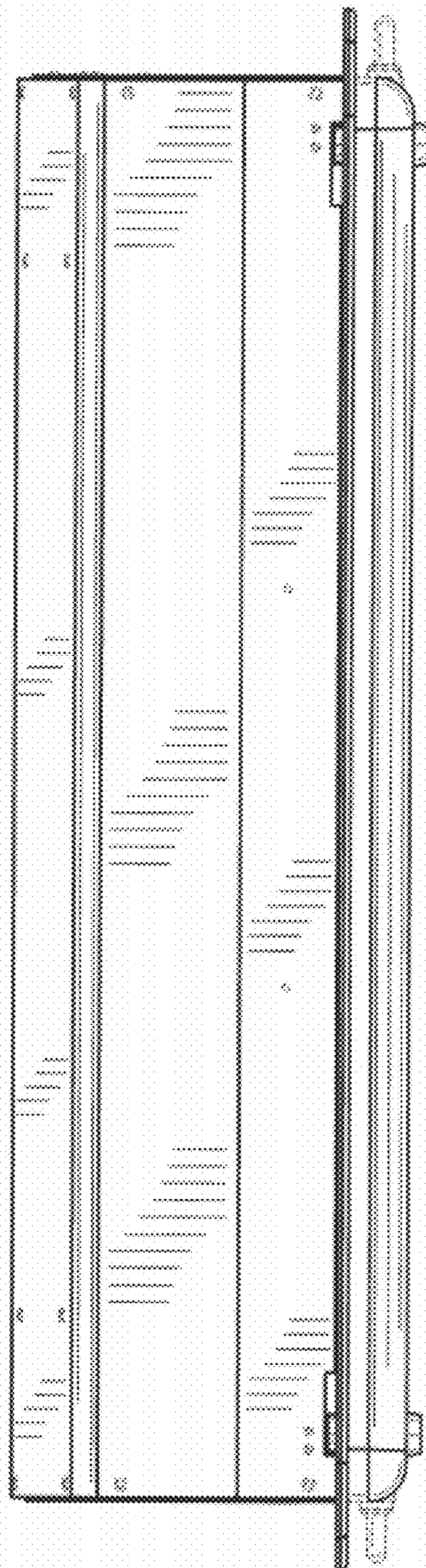


FIG. 6



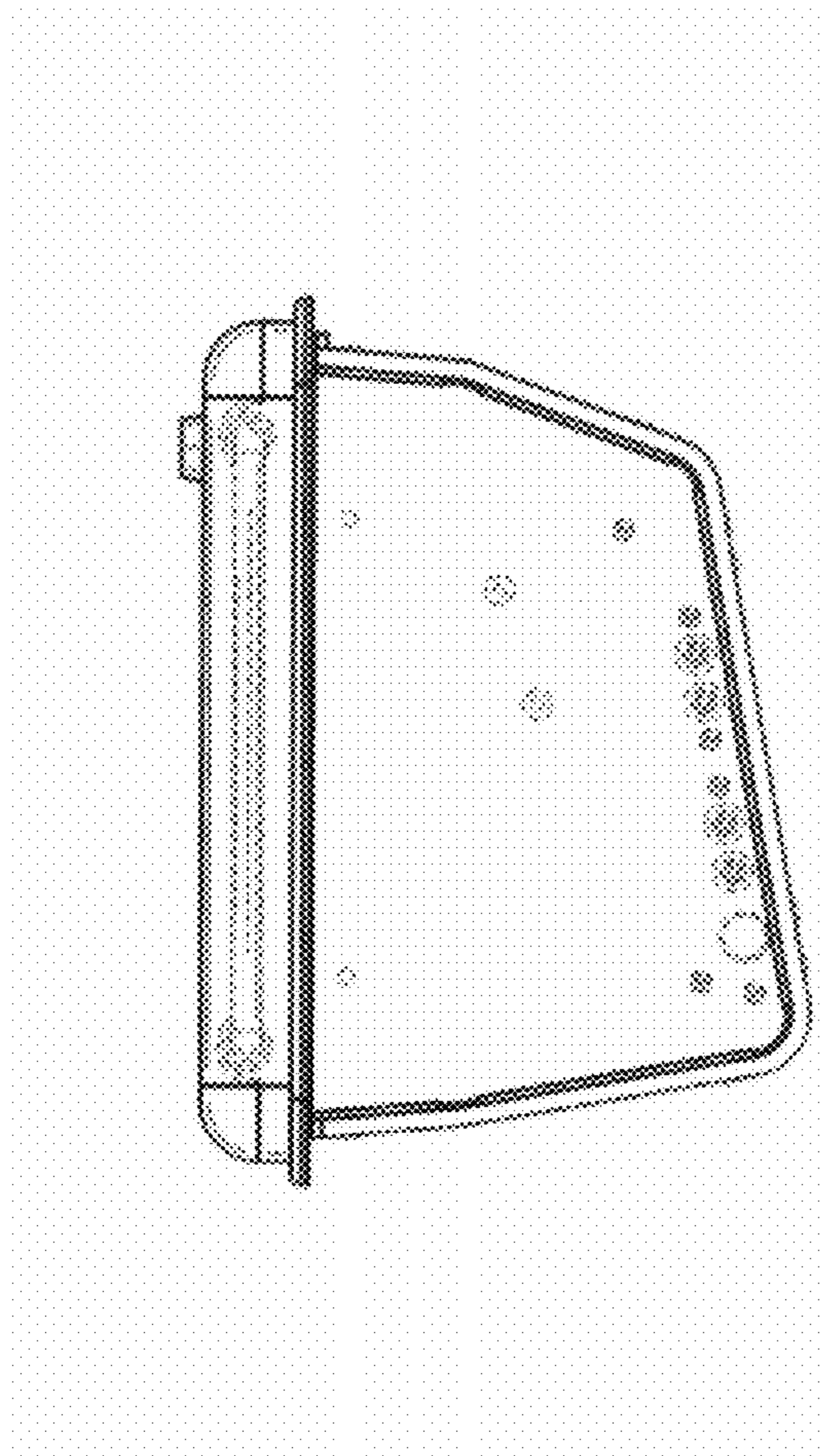


FIG. 7

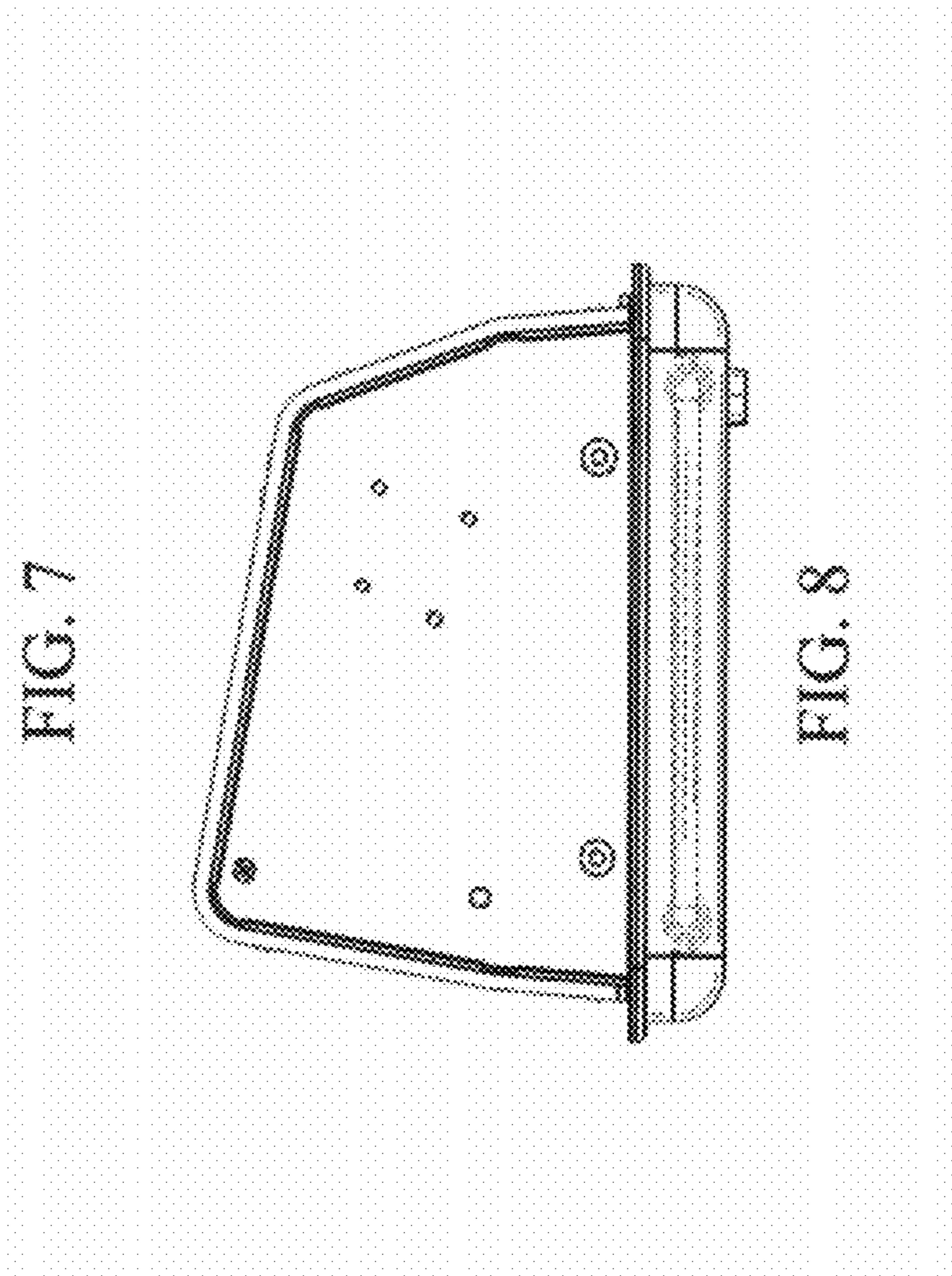


FIG. 8