



US00D657426S

(12) **United States Design Patent**
Gomez

(10) **Patent No.:** **US D657,426 S**

(45) **Date of Patent:** **** Apr. 10, 2012**

(54) **VIDEO GAME CONSOLE**

(76) Inventor: **Xavier Torres Gomez**, Barcelona (ES)

(**) Term: **14 Years**

(21) Appl. No.: **29/392,584**

(22) Filed: **May 24, 2011**

(30) **Foreign Application Priority Data**

Nov. 25, 2010 (ES) D0511374-01

(51) **LOC (9) Cl.** **21-01**

(52) **U.S. Cl.** **D21/330; D21/331**

(58) **Field of Classification Search** D21/324–333,
D21/369, 385; 273/148 B, 148 R, 461; D14/495,
D14/338, 339, 348, 356, 432, 433, 471, 474,
D14/137, 160, 168, 188–181, 203.1–203.8,
D14/219, 265, 257; 345/156–161, 1.1;
455/344–351; 369/6–12; 463/1, 29–35,
463/46, 47; 16/321, 337; 248/176.1, 915,
248/921; 285/188, 231–234, 304, 330

See application file for complete search history.

(56) **References Cited**

U.S. PATENT DOCUMENTS

4,194,742 A * 3/1980 Adams 273/265
4,275,887 A * 6/1981 Tateyama 273/239
D275,971 S * 10/1984 Yokoi D21/330
4,542,903 A * 9/1985 Yokoi et al. 463/31
D321,175 S * 10/1991 Tsuchiya D14/368
D356,344 S * 3/1995 Rissman et al. D21/331
D378,686 S * 4/1997 Proctor et al. D19/60
6,400,351 B1 * 6/2002 Ishizawa et al. 345/156

D532,051 S * 11/2006 Sugino et al. D21/330
D554,194 S * 10/2007 Ehara et al. D21/330
D559,327 S * 1/2008 Luk et al. D21/332

* cited by examiner

Primary Examiner — Prabhakar Deshmukh

(74) *Attorney, Agent, or Firm* — Sturm & Fix LLP

(57) **CLAIM**

The ornamental design for a video game console, as shown and described.

DESCRIPTION

FIG. 1 is a top, front and left perspective view of a video game console showing my new design, shown in fully open position;

FIG. 2 is a bottom, rear and right perspective view thereof;

FIG. 3 is a right side elevational view thereof;

FIG. 4 is a left side elevational view thereof;

FIG. 5 is a rear elevational view thereof;

FIG. 6 is a front elevational view thereof;

FIG. 7 is a top plan view thereof;

FIG. 8 is a bottom plan view thereof;

FIG. 9 is a perspective view thereof, shown in partially folded position;

FIG. 10 is an another perspective view of FIG. 9;

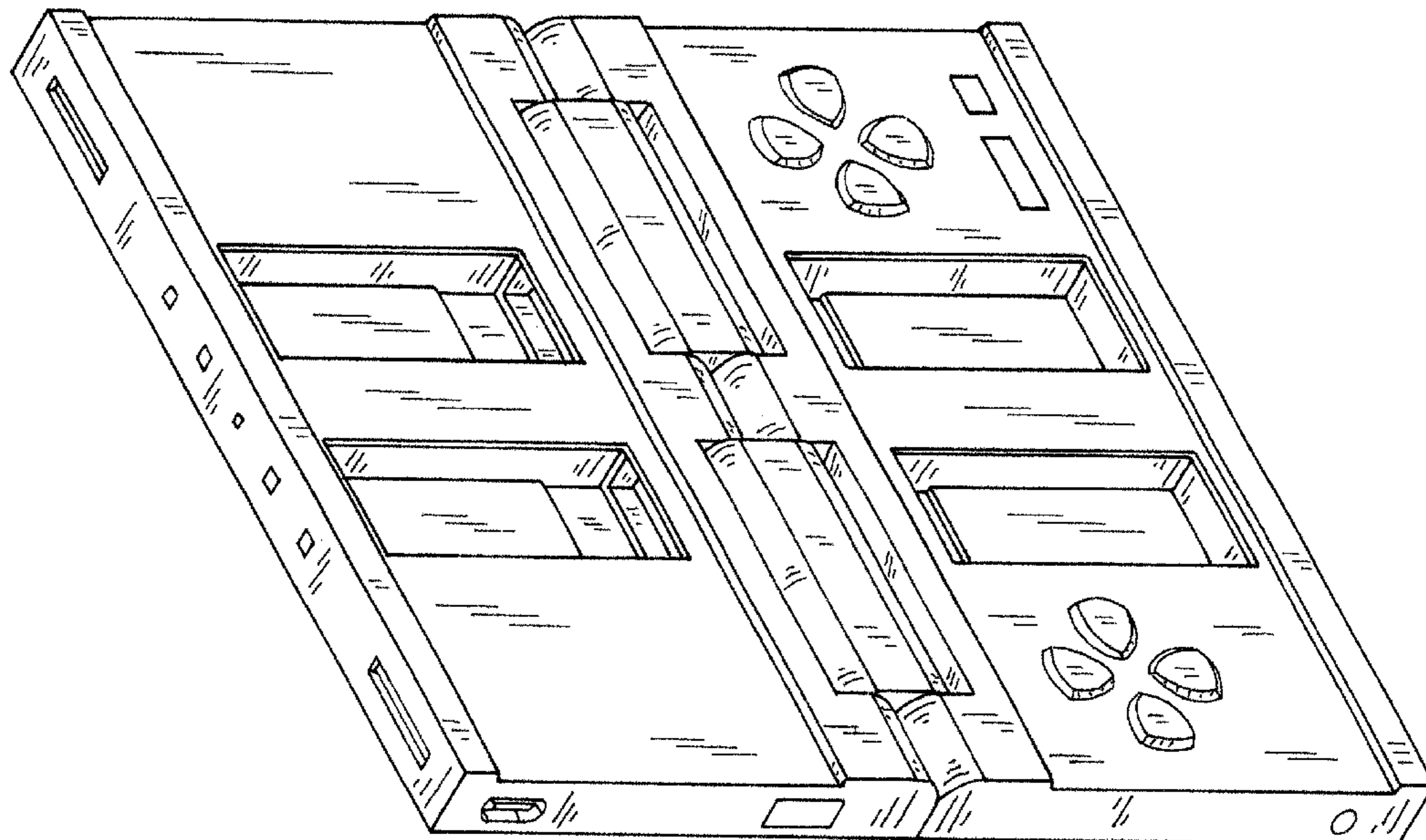
FIG. 11 is an another perspective view of FIG. 9;

FIG. 12 is a perspective view thereof, shown in fully closed position;

FIG. 13 is an another side perspective view of FIG. 12; and,

FIG. 14 is a rear elevational view of FIG. 12.

1 Claim, 11 Drawing Sheets



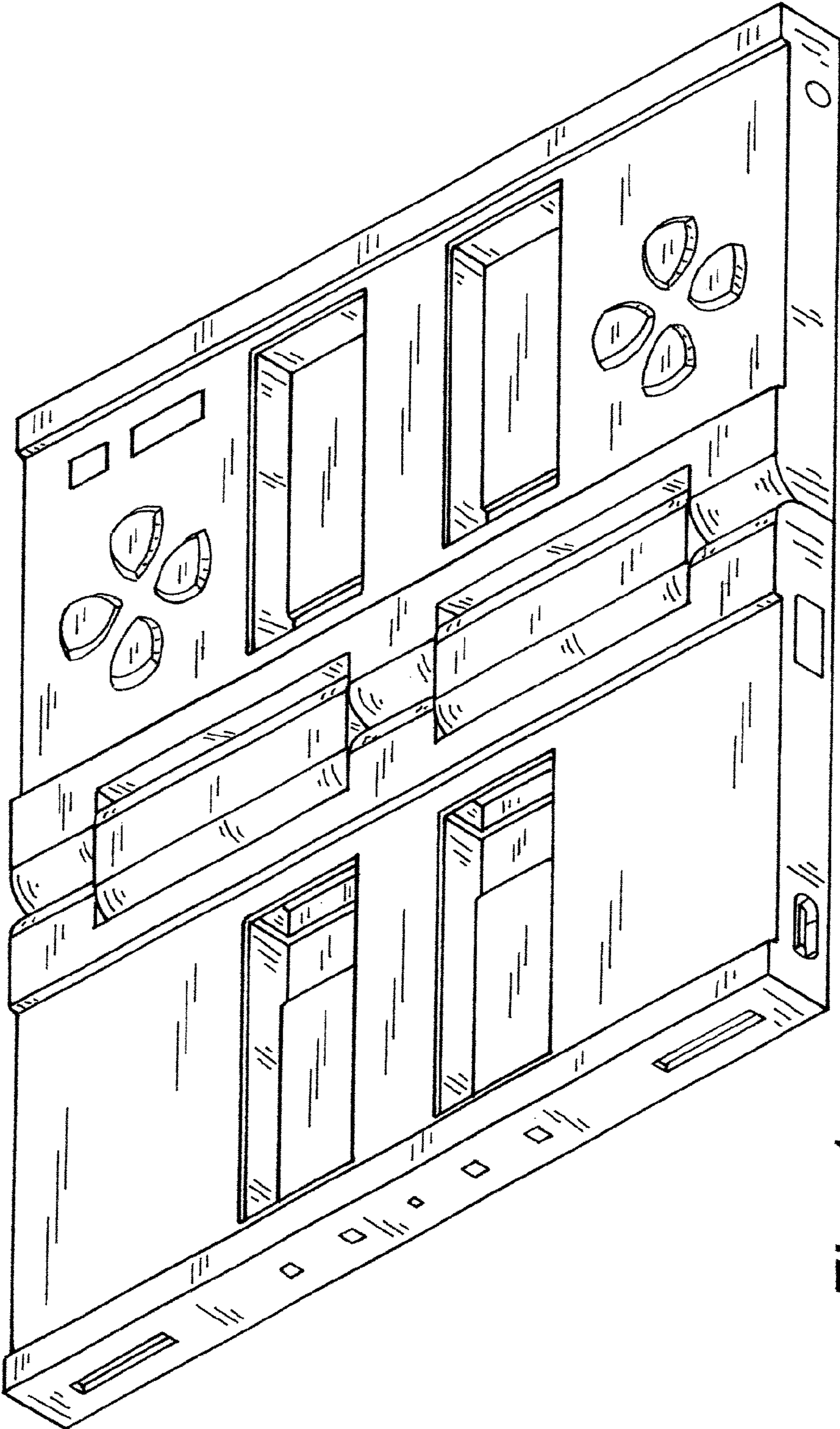


Fig. 1

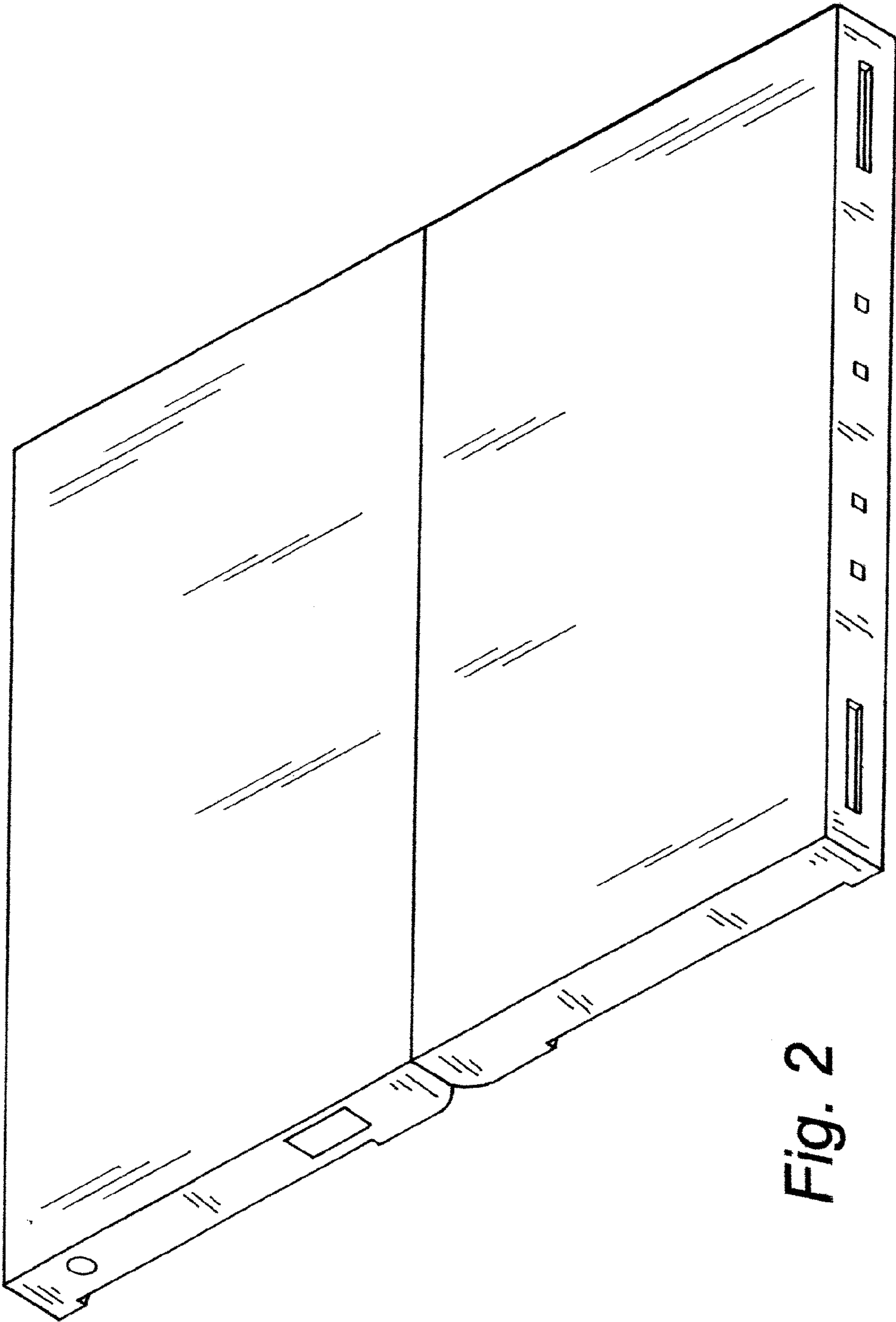


Fig. 2



Fig. 3



Fig. 4



Fig. 5

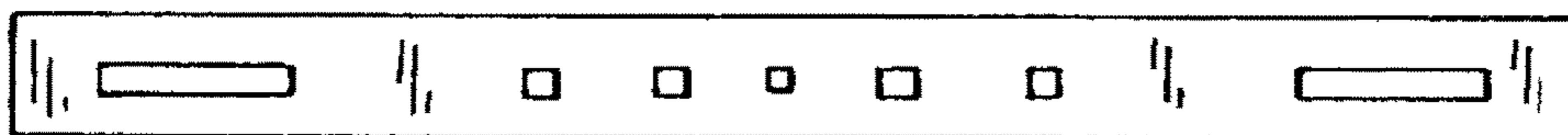


Fig. 6

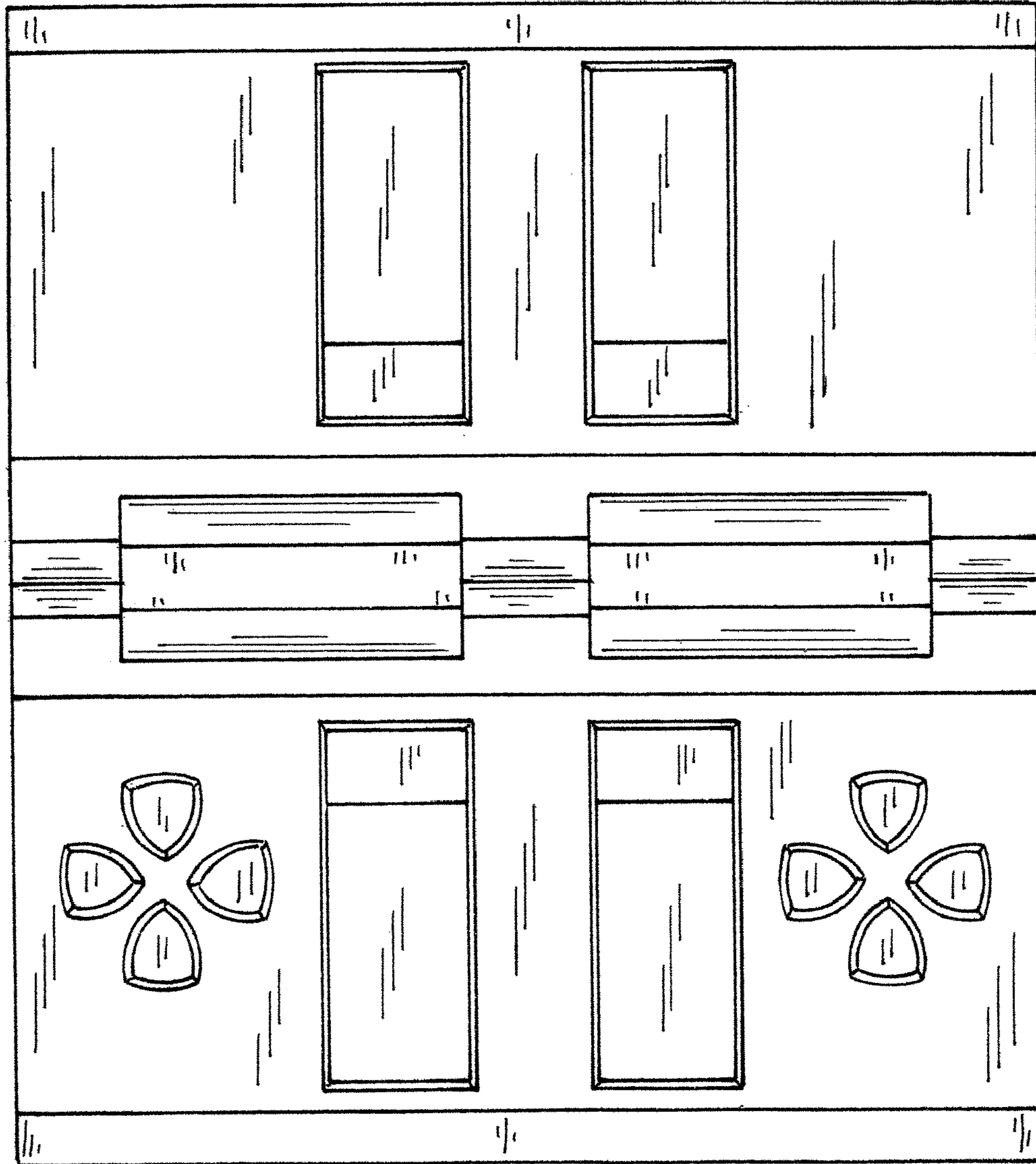


Fig. 7

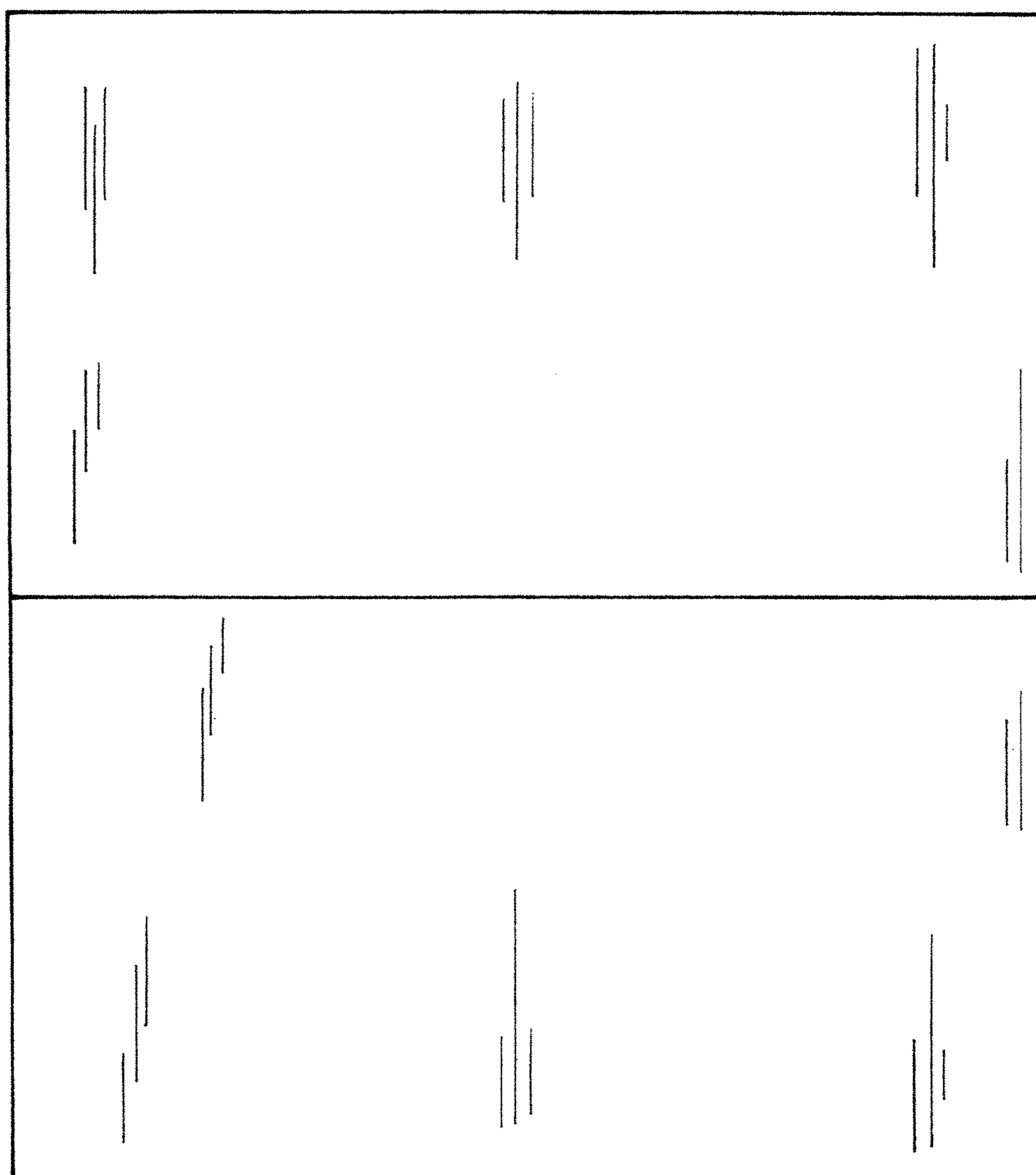
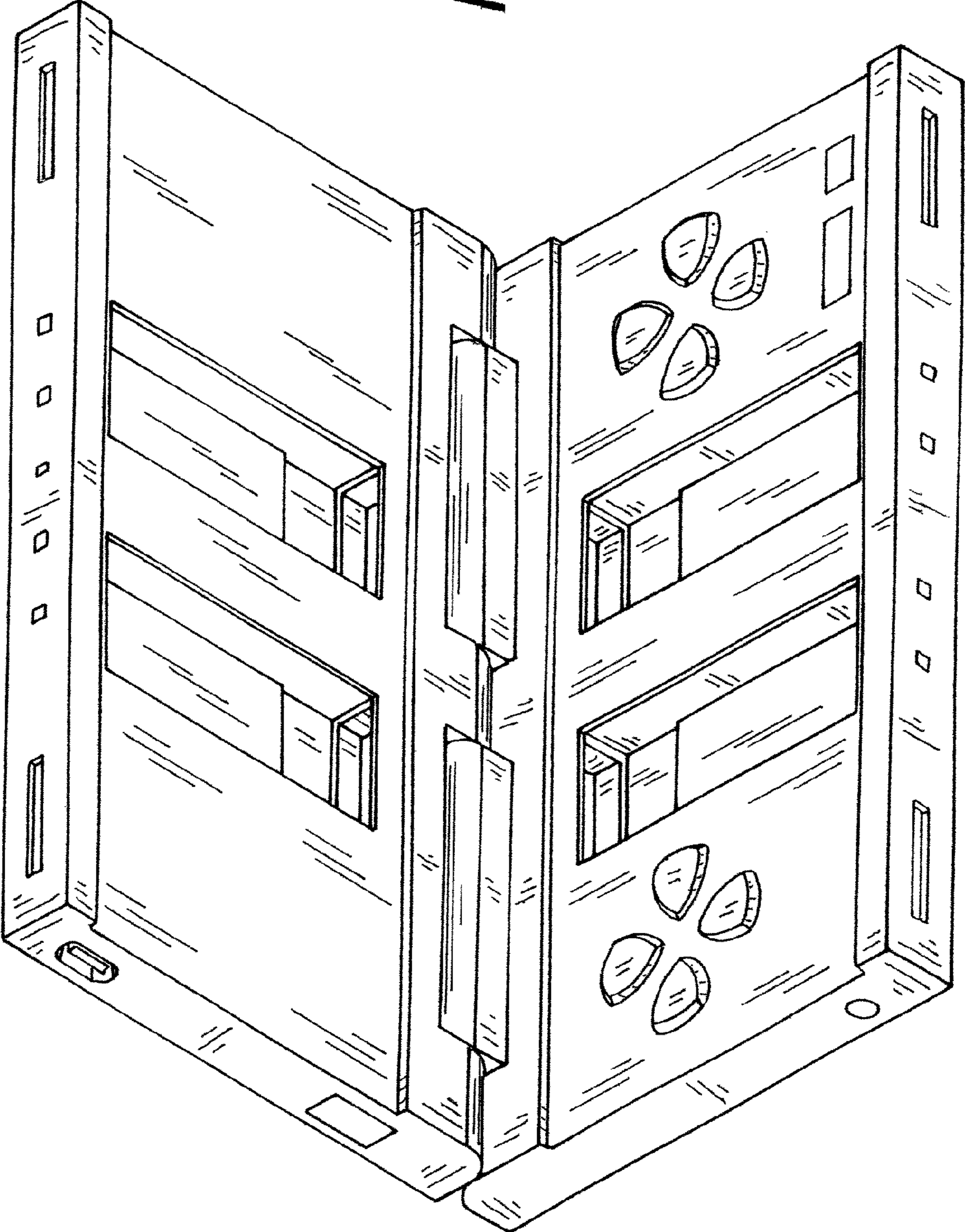


Fig. 8

Fig. 9



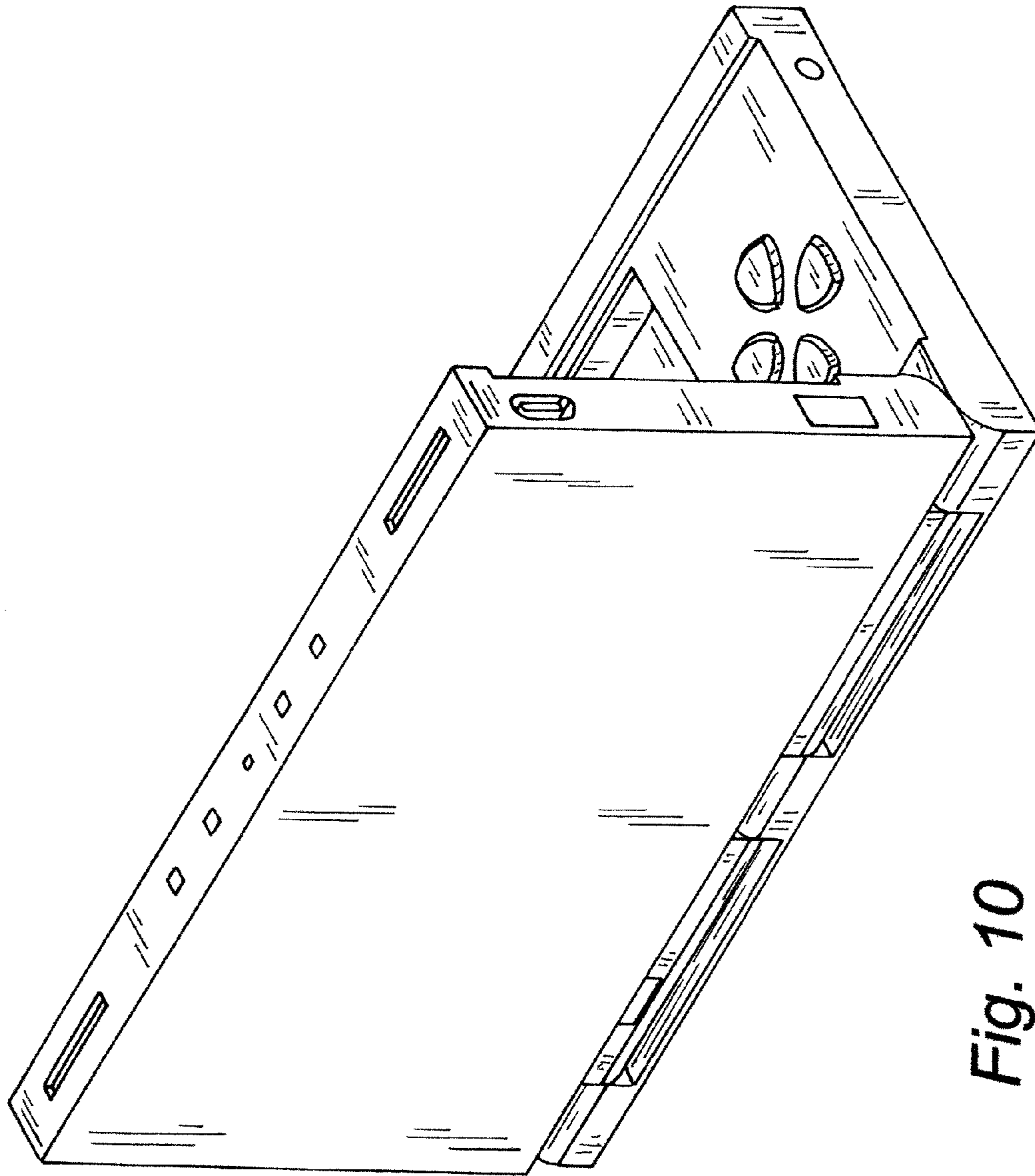


Fig. 10

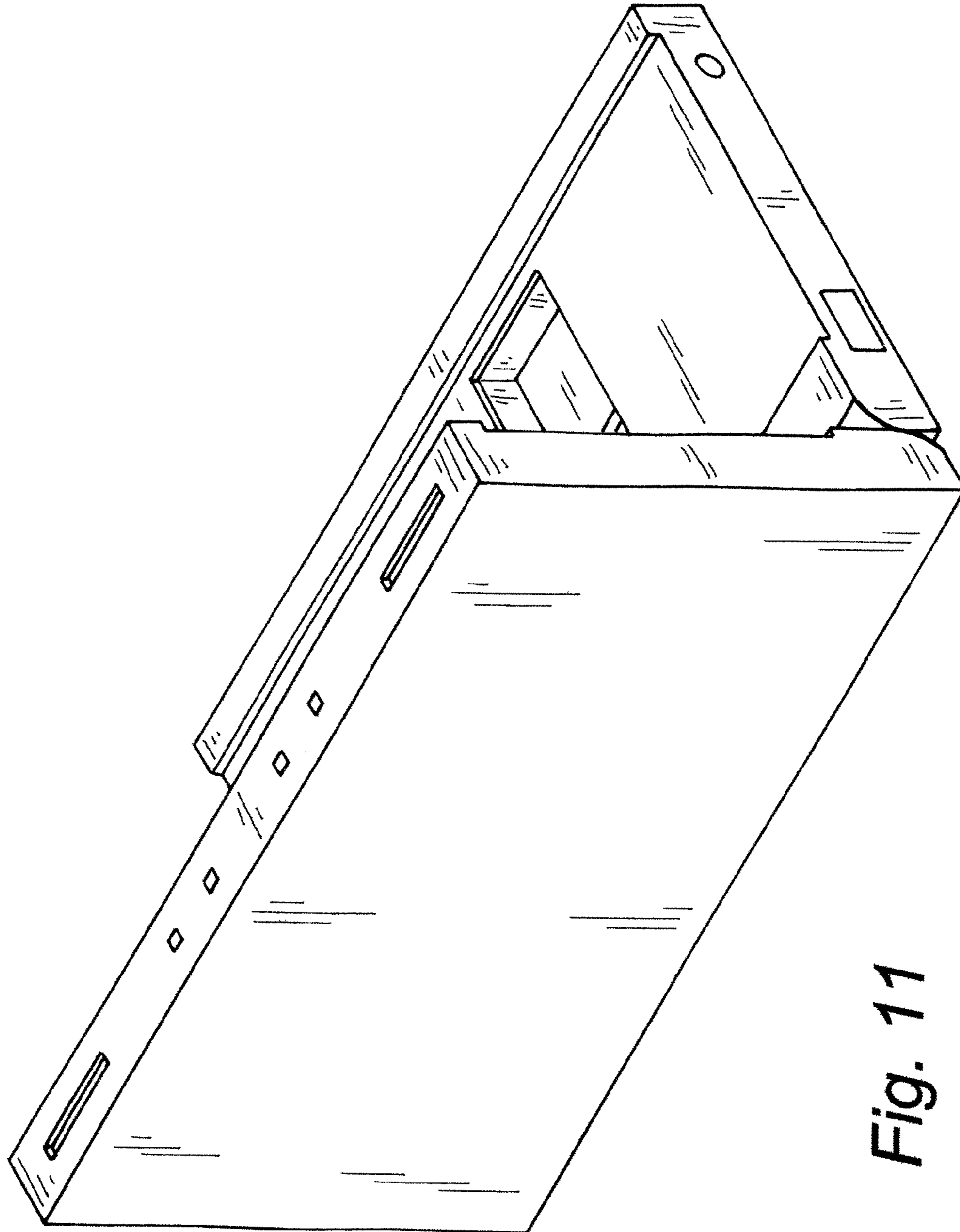


Fig. 11

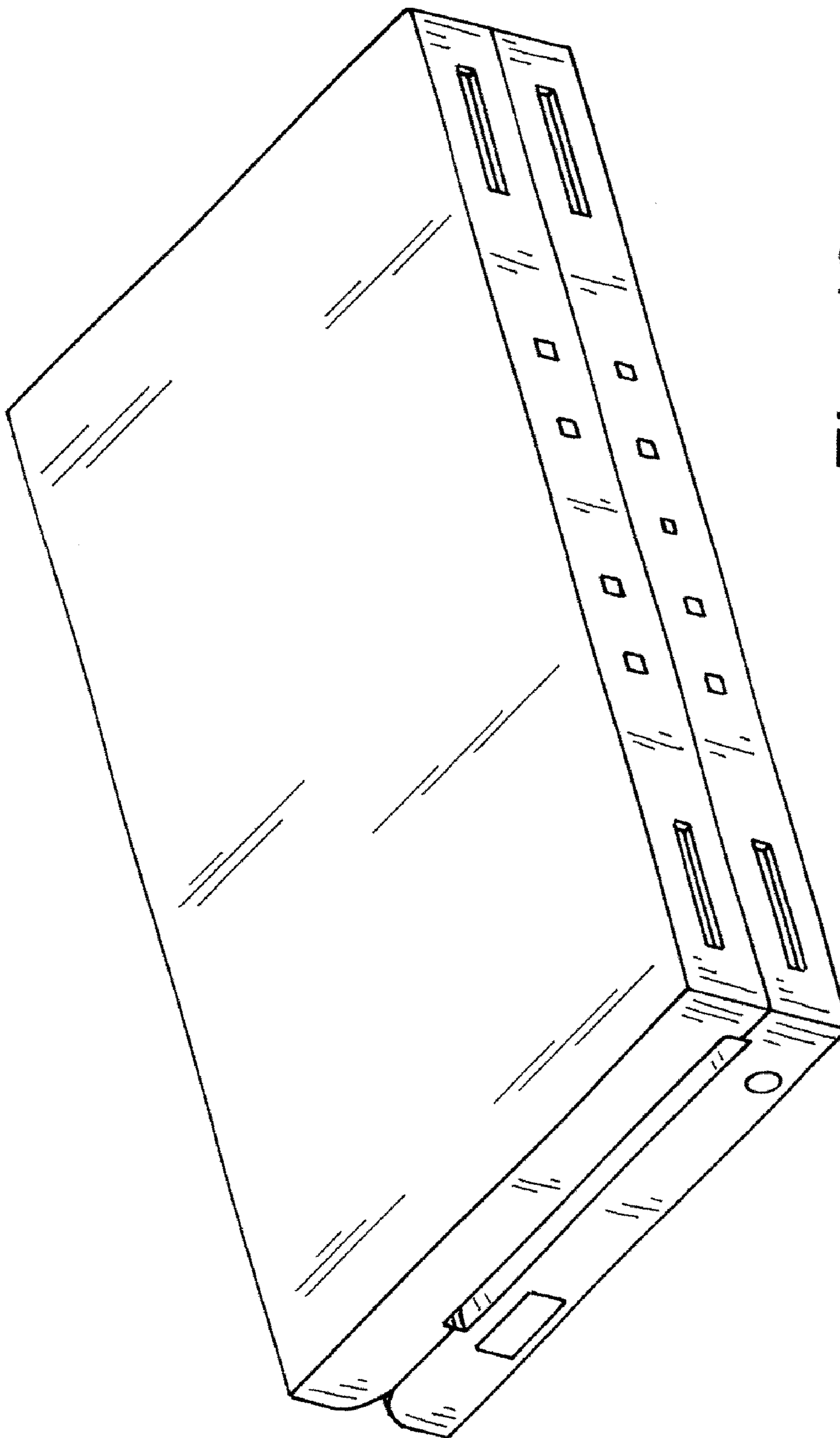


Fig. 12

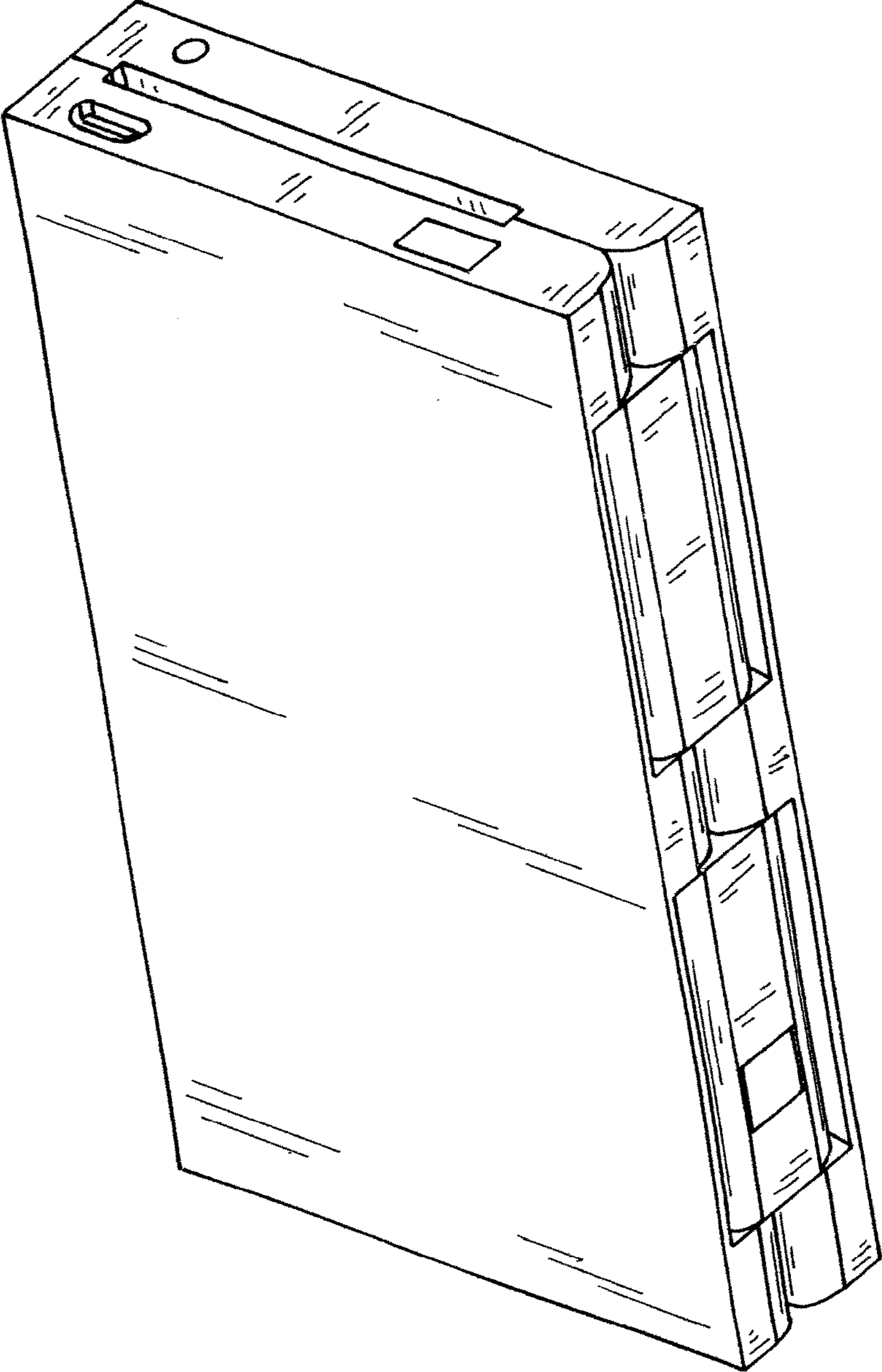


Fig. 13

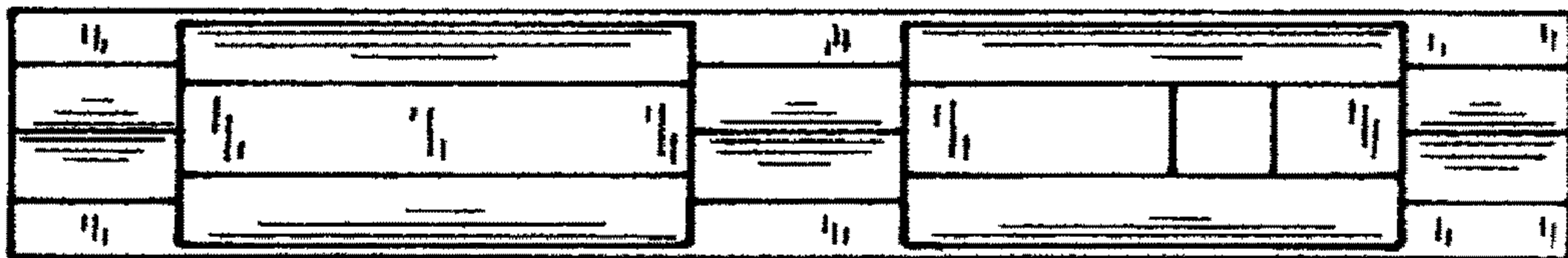


Fig. 14