



US00D657424S

(12) **United States Design Patent**
Podd

(10) **Patent No.:** **US D657,424 S**
(45) **Date of Patent:** **** *Apr. 10, 2012**

(54) **BACKLIT GRAPHIC DISPLAY DEVICE**

(75) Inventor: **George O. Podd**, Lake Forest, IL (US)

(73) Assignee: **Powerdecal, Inc.**, Lincolnwood, IL (US)

(*) Notice: This patent is subject to a terminal disclaimer.

(**) Term: **14 Years**

(21) Appl. No.: **29/373,441**

(22) Filed: **Apr. 8, 2011**

(51) **LOC (9) Cl.** **20-03**

(52) **U.S. Cl.** **D20/42**

(58) **Field of Classification Search** D20/10,
D20/13, 14, 17-19, 22, 27-29, 39-43, 99;
40/124.01, 200, 209, 219, 446, 452, 453,
40/538, 541, 542, 545-548, 563, 564, 570-574,
40/580, 582, 584, 587, 618, 651, 661, 70,
40/725, 734, 737, 757; D6/300, 308-310,
D6/317; D10/104.1, 109.1, 109.2; D12/193;
D14/374; D19/10, 52; 362/84, 497, 540,
362/812; 434/422; 428/14, 68, 76
See application file for complete search history.

(56) **References Cited**

U.S. PATENT DOCUMENTS

187,146	A *	2/1877	Hyatt	434/422
277,164	A *	5/1883	Schrymgeour	434/422
433,725	A *	8/1890	Ewing	434/159
3,047,970	A *	8/1962	Bleiberg	40/661
3,517,245	A	6/1970	Dickson, Jr. et al.		
4,138,620	A	2/1979	Dickson		
4,420,898	A	12/1983	Moses		
4,443,832	A	4/1984	Kanamori et al.		
4,466,208	A	8/1984	Logan, Jr. et al.		
4,494,326	A	1/1985	Kanamori		
4,603,065	A	7/1986	Mori et al.		
4,645,970	A	2/1987	Murphy		

4,914,348	A	4/1990	Kameyama et al.		
D315,364	S *	3/1991	Scalice et al.	D19/10
5,005,306	A	4/1991	Kinstler		
5,073,842	A *	12/1991	Monroe	362/497
5,422,155	A *	6/1995	Spence, Jr.	428/76
5,444,930	A	8/1995	Loew		
5,516,387	A	5/1996	Hoffman		
5,527,568	A *	6/1996	Boone et al.	428/14
5,566,384	A	10/1996	Chien		
5,779,346	A *	7/1998	Burke	362/84
5,845,987	A	12/1998	Painter		

(Continued)

Primary Examiner — Mary Ann Calabrese

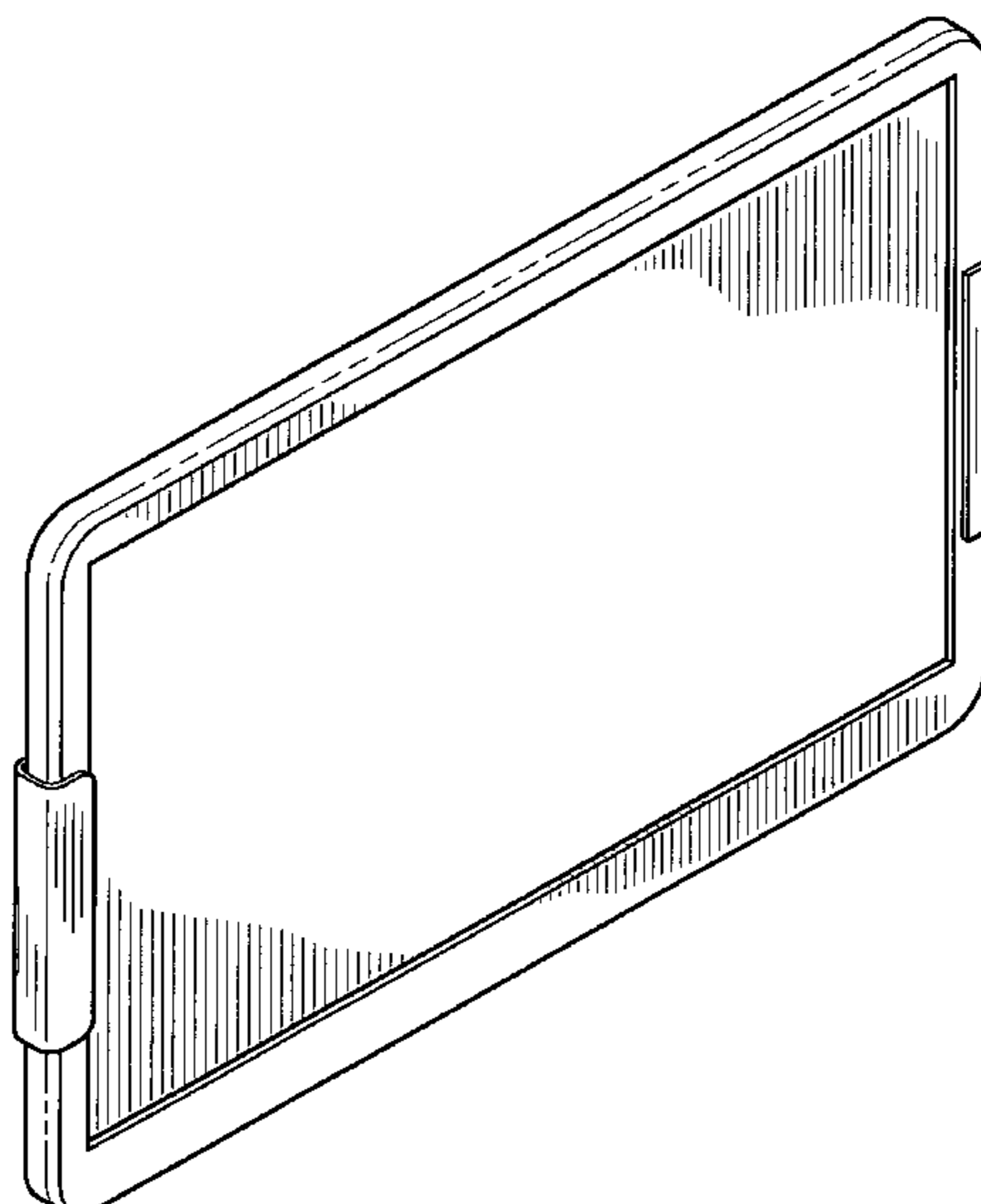
(57) **CLAIM**

The ornamental design for the backlit graphic display device, as shown and described.

DESCRIPTION

FIG. 1 is a first frontal perspective view of the backlit graphic display device;
 FIG. 2 is a front plan view of the backlit graphic display device;
 FIG. 3 is a back plan view of the backlit graphic display device;
 FIG. 4 is a first lateral edge of the backlit graphic display device;
 FIG. 5 is a second lateral edge of the backlit graphic display device;
 FIG. 6 is a first end view of the backlit graphic display device;
 FIG. 7 is a second end view of the backlit graphic display device; and,
 FIG. 8 is a second frontal perspective view of the backlit graphic display device shown in a condition of use.
 The broken lines showing the window in FIG. 8 represent the environment and form no part of the claimed design. All other broken lines in the drawing views are included for the purpose of illustrating portions of the backlit graphic display device that form no part of the claimed design.

1 Claim, 5 Drawing Sheets



US D657,424 S

Page 2

U.S. PATENT DOCUMENTS							
6,013,346	A	1/2000	Lewis et al.	7,883,253	B2	2/2011	Wang
6,170,968	B1	1/2001	Caswell	D635,976	S *	4/2011	Lee et al. D14/374
6,205,690	B1	3/2001	Heropoulos et al.	2001/0018809	A1	9/2001	Heropoulos et al.
6,216,373	B1	4/2001	Liao	2003/0089010	A1 *	5/2003	Wechter et al. 40/584
6,430,854	B1	8/2002	Szentgyorgyi et al.	2004/0139637	A1 *	7/2004	Lee 40/564
6,604,834	B2	8/2003	Kalana	2005/0091890	A1	5/2005	Snyder
6,624,570	B1	9/2003	Nishio et al.	2005/0164789	A1	7/2005	Nakamura et al.
6,640,474	B2	11/2003	Knoerzer et al.	2006/0103638	A1	5/2006	Podd
7,065,909	B2	6/2006	Snyder	2008/0285219	A1	11/2008	Podd et al.
D593,156	S *	5/2009	Vasconcelos D19/52	2009/0033648	A1	2/2009	Podd et al.
D625,928	S *	10/2010	Lee et al. D6/308	2011/0131849	A1 *	6/2011	Sato et al. 40/564
D628,199	S *	11/2010	Yukikado et al. D14/374				

* cited by examiner

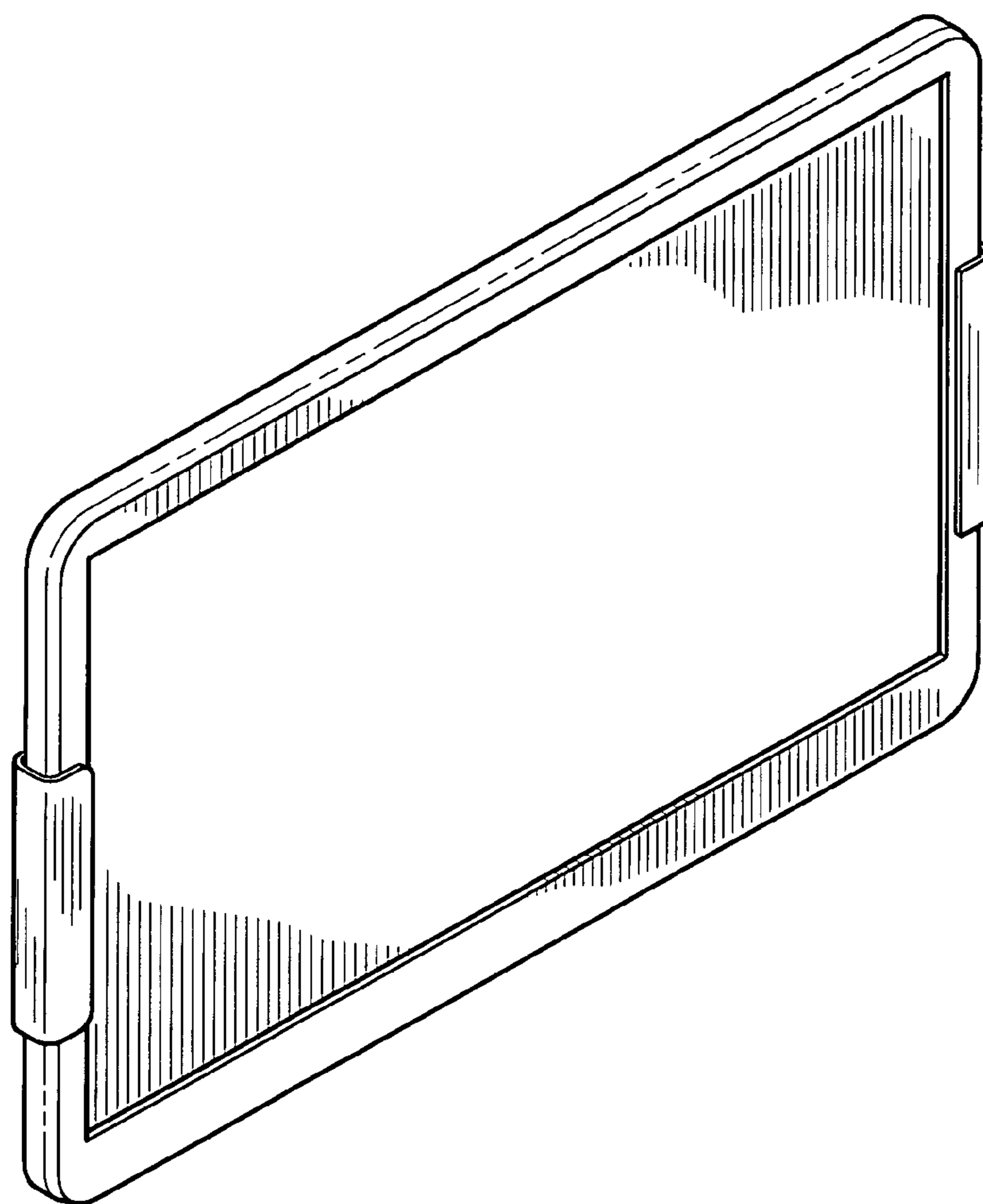


FIG. 1

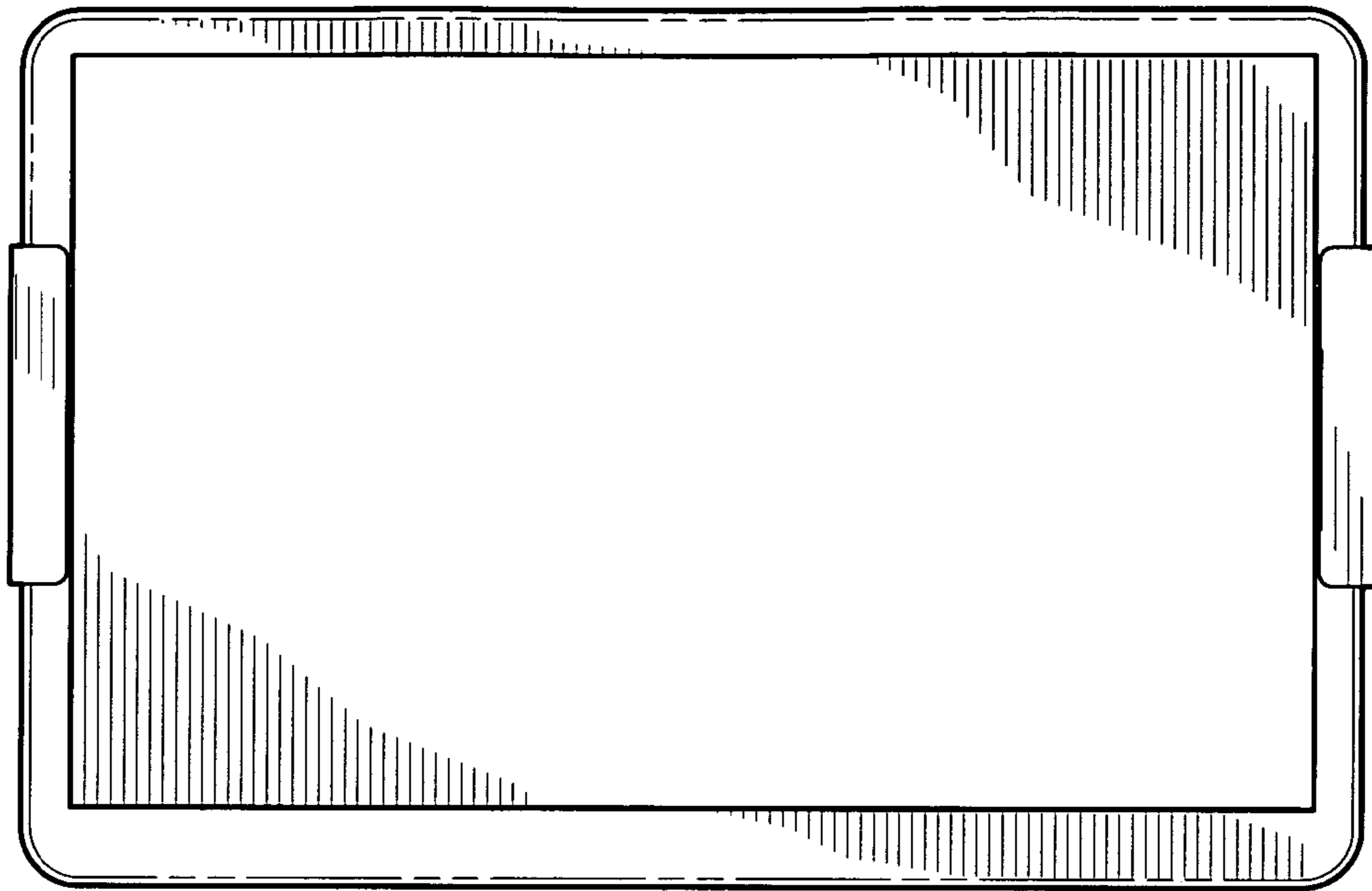


FIG. 2

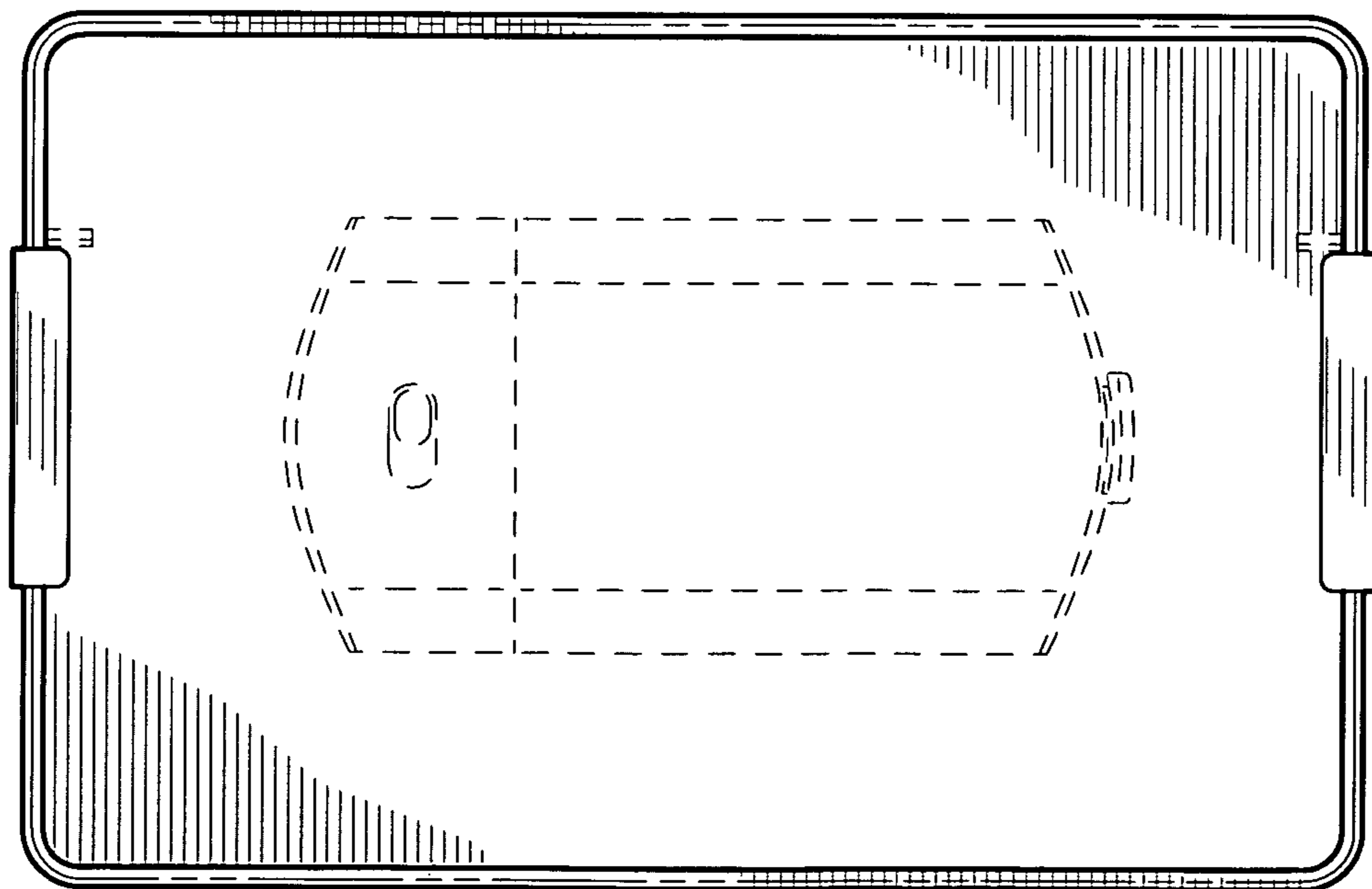


FIG. 3

FIG. 4

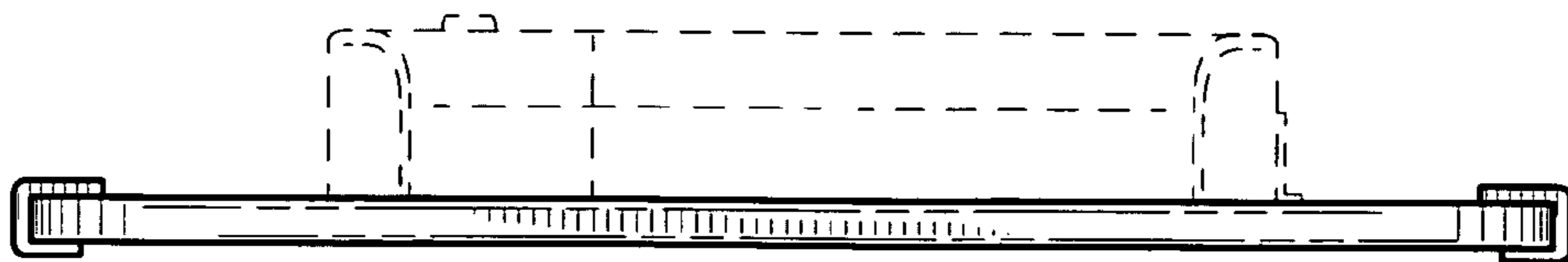
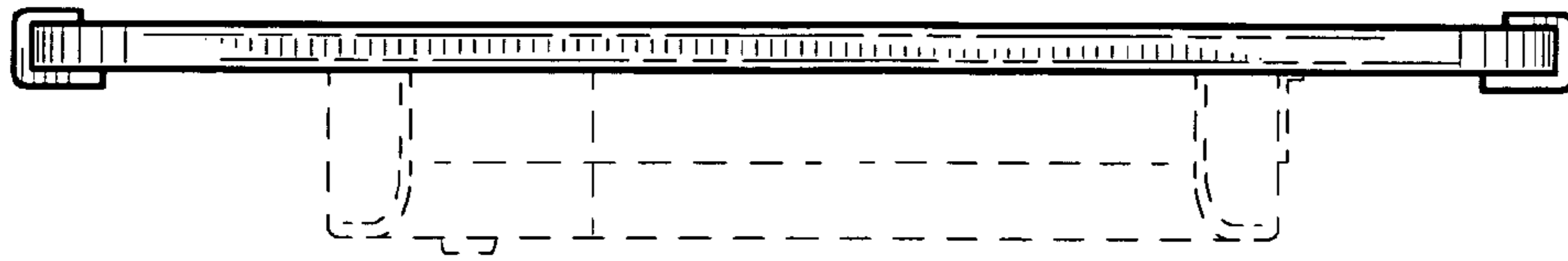


FIG. 5

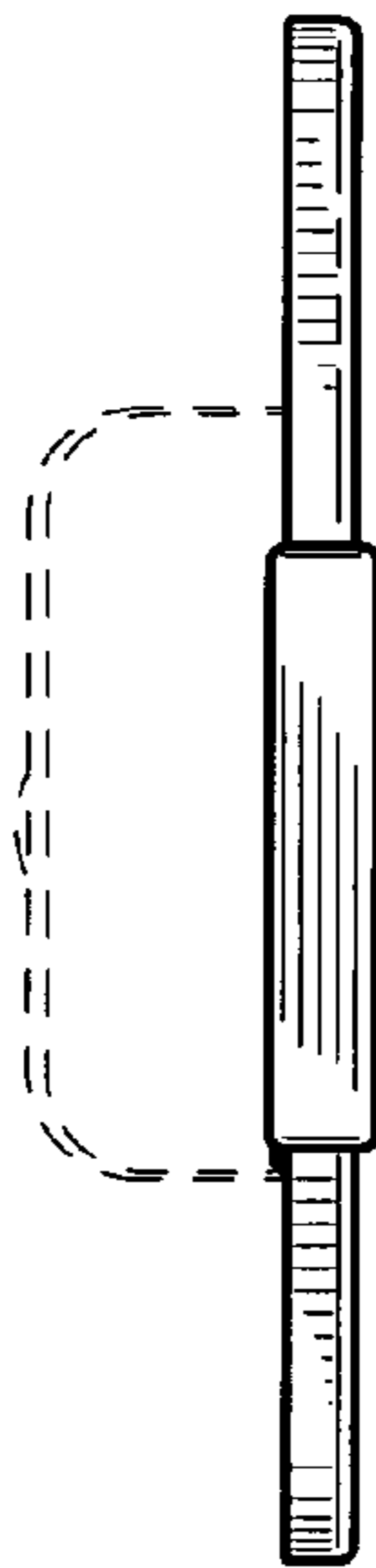


FIG. 6

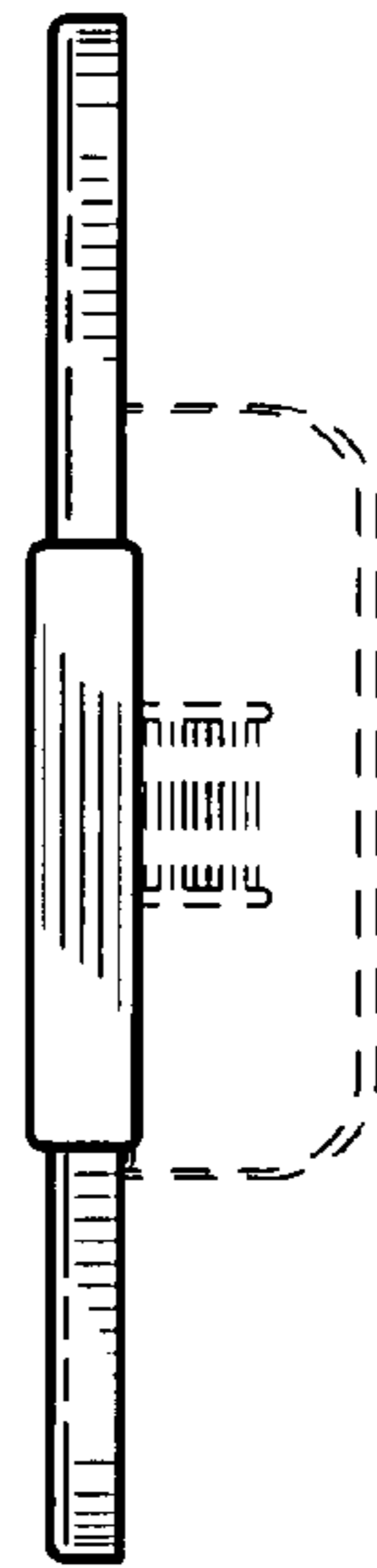


FIG. 7

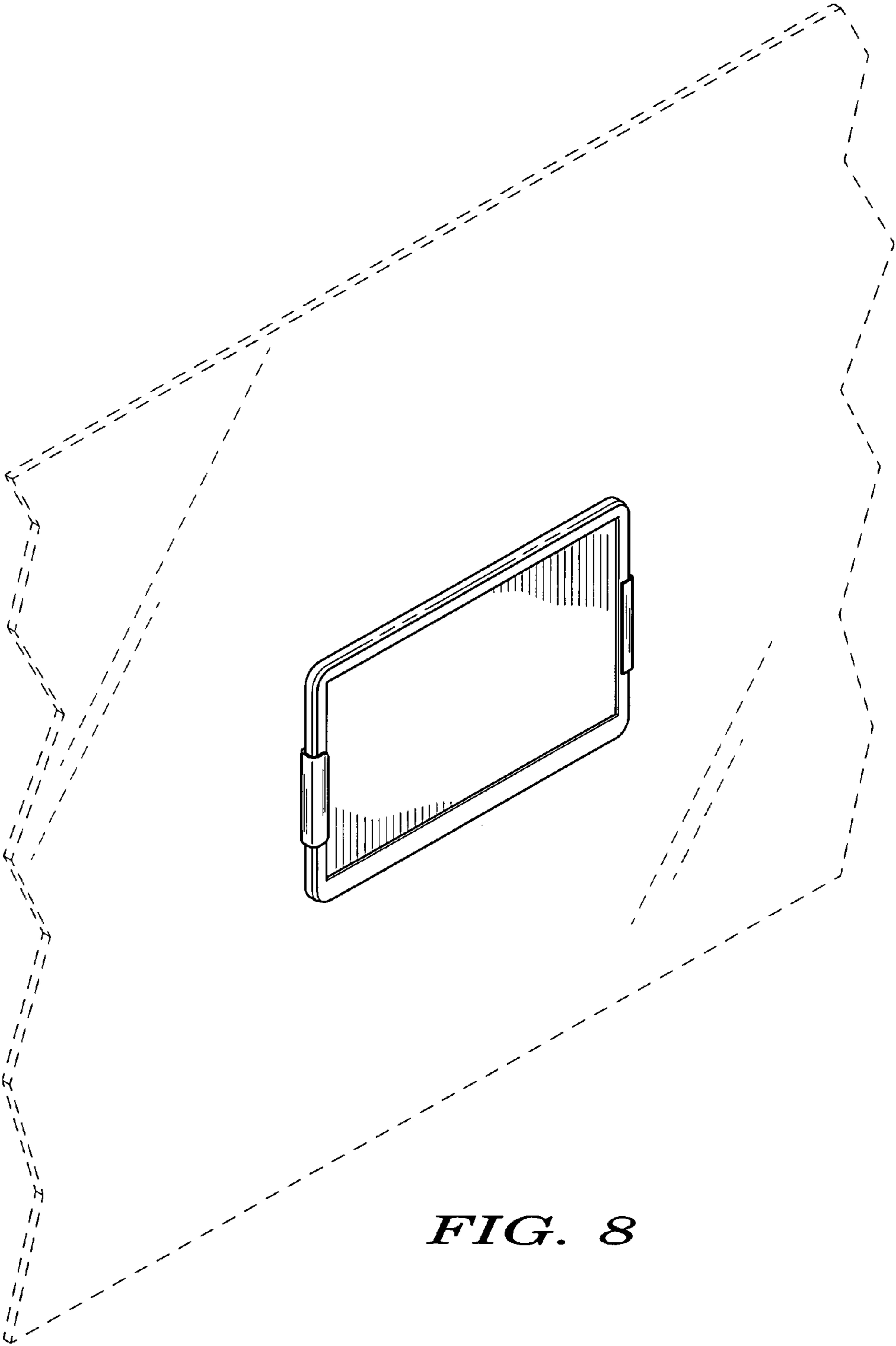


FIG. 8