



US00D657422S

(12) **United States Design Patent**
Yan

(10) **Patent No.:** **US D657,422 S**
(45) **Date of Patent:** **** Apr. 10, 2012**

(54) **CAR TOP DISPLAY**

(75) Inventor: **Simon Yan**, New York, NY (US)

(73) Assignee: **VeriFone, Inc.**, San Jose, CA (US)

(**) Term: **14 Years**

(21) Appl. No.: **29/374,560**

(22) Filed: **Aug. 31, 2011**

(51) **LOC (9) Cl.** **20-03**

(52) **U.S. Cl.** **D20/10**

(58) **Field of Classification Search** D20/10,
D20/19, 29-33, 35, 36, 40, 42, 99; 40/441,
40/446, 538, 559, 564, 671, 573, 584, 591,
40/592, 594, 600, 616, 617, 629; D10/109.1,
D10/109.2, 113.4; D26/31; 340/434; 362/493,
362/812

See application file for complete search history.

(56) **References Cited**

U.S. PATENT DOCUMENTS

2,077,585	A *	4/1937	Rivers	40/592
2,186,913	A *	1/1940	Jonas	40/446
3,284,938	A *	11/1966	Diehl et al.	40/592
3,440,748	A *	4/1969	Hackley	40/592
D240,469	S *	7/1976	Bissell	D20/10
4,667,428	A *	5/1987	Elmer	40/592
4,787,163	A *	11/1988	Berg	40/592

6,056,425	A *	5/2000	Appelberg	362/493
D634,366	S *	3/2011	Squillante	D20/10
D635,614	S *	4/2011	Yan	D20/10

* cited by examiner

Primary Examiner — Mary Ann Calabrese

(74) *Attorney, Agent, or Firm* — Kolisch Hartwell, P.C.

(57) **CLAIM**

The ornamental design for a car top display, as shown and described.

DESCRIPTION

FIG. 1 is a front perspective view of a car top display showing my new design;

FIG. 2 is a front view of the car top display shown in FIG. 1;

FIG. 3 is a rear view of the car top display shown in FIG. 1;

FIG. 4 is a right side view of the car top display shown in FIG. 1;

FIG. 5 is a left side view of the car top display shown in FIG. 1;

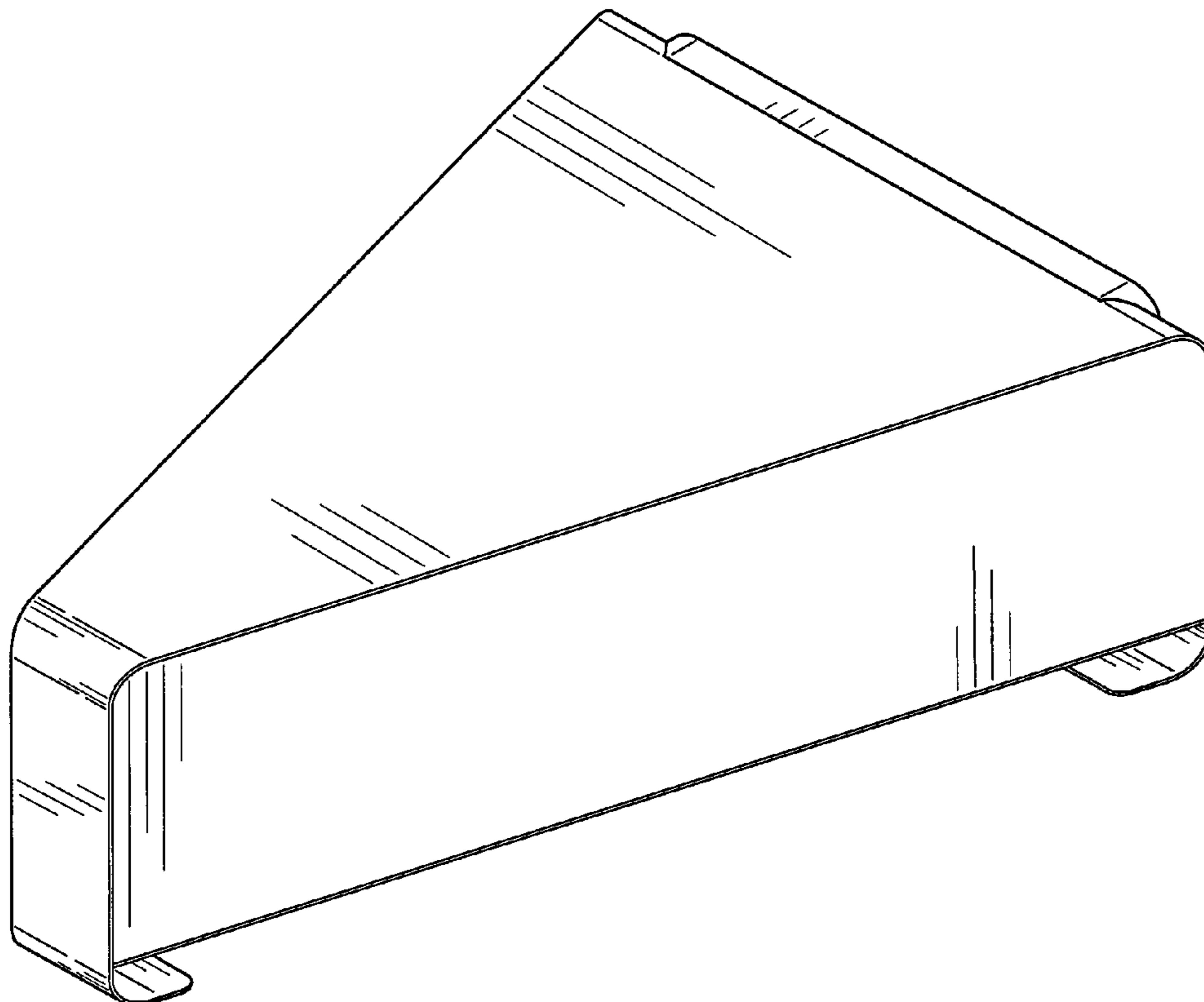
FIG. 6 is a top view of the car top display shown in FIG. 1;

FIG. 7 is a bottom view of the car top display shown in FIG. 1; and,

FIG. 8 is a front perspective view of the car top display shown in FIG. 1, shown in the environment of a vehicle.

The broken lines showing of vehicle show unclaimed subject matter.

1 Claim, 5 Drawing Sheets



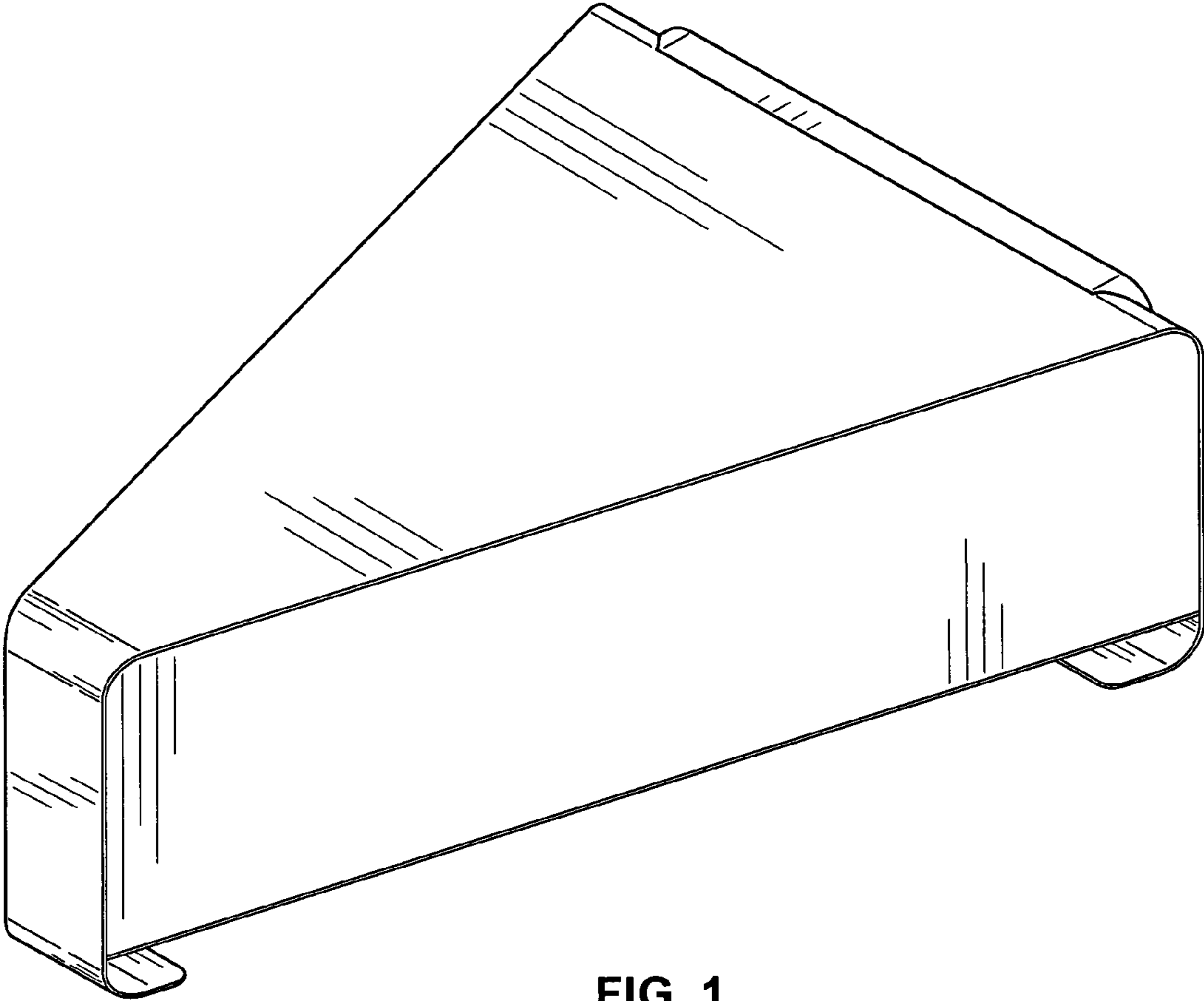


FIG. 1

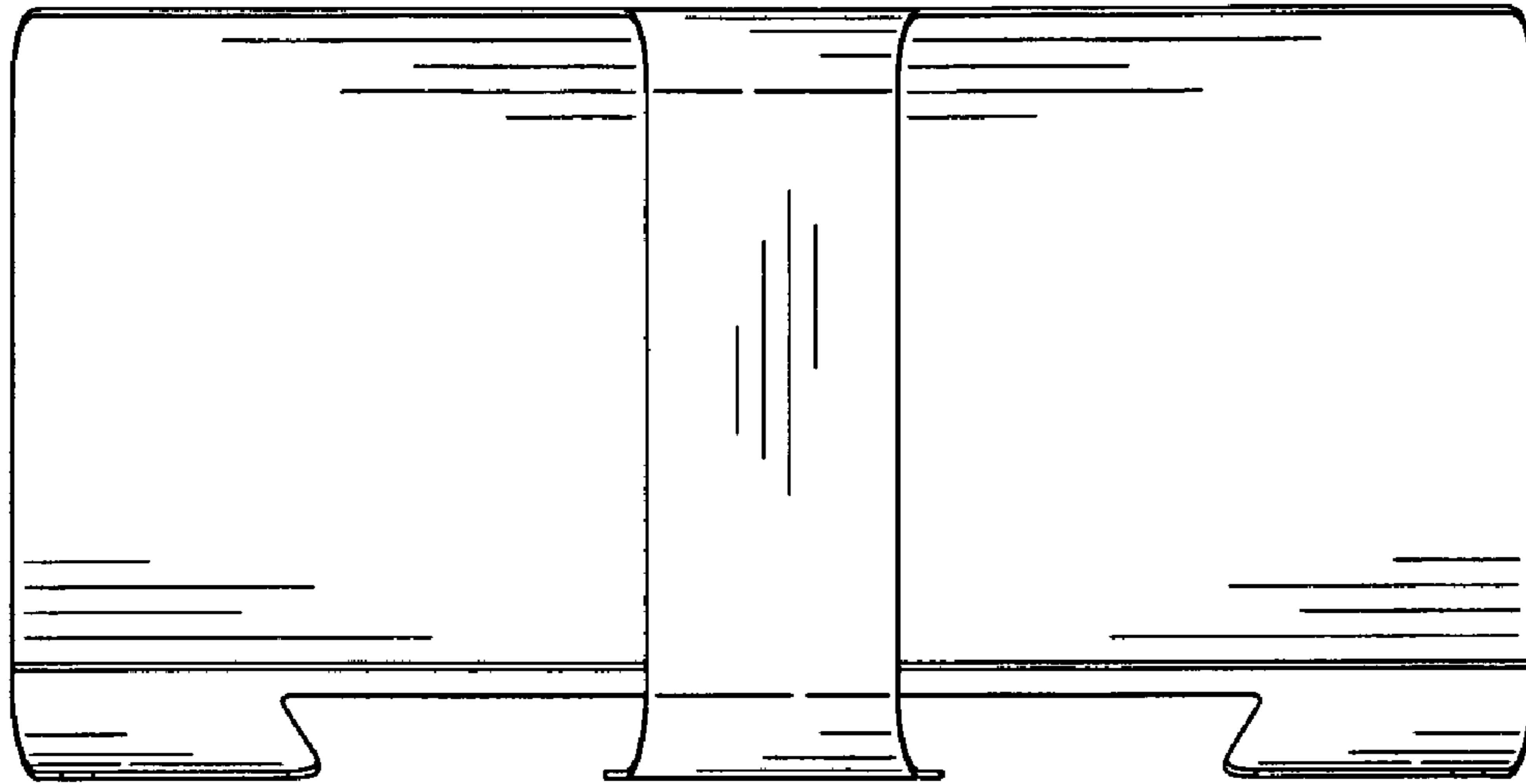


FIG. 2

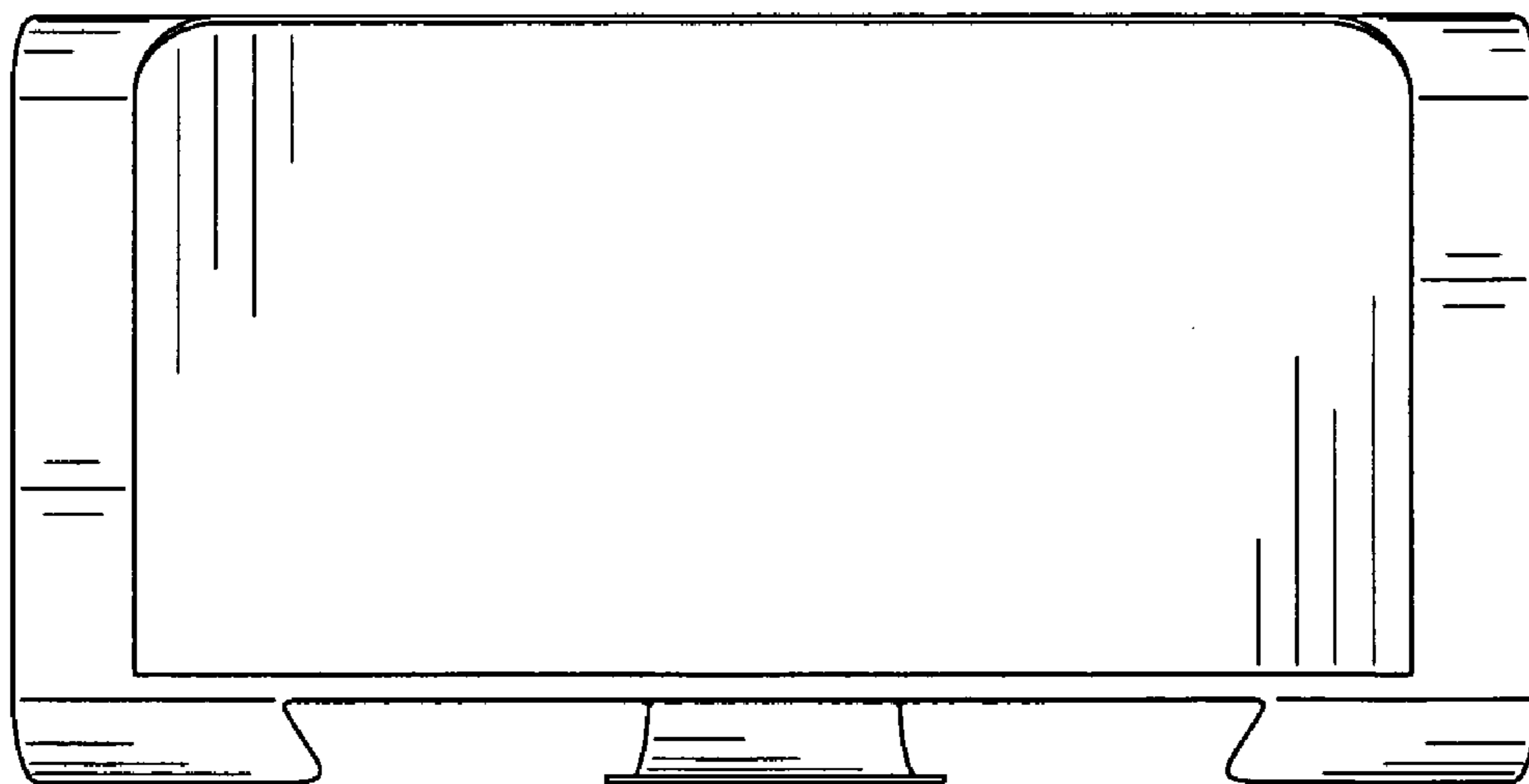


FIG. 3

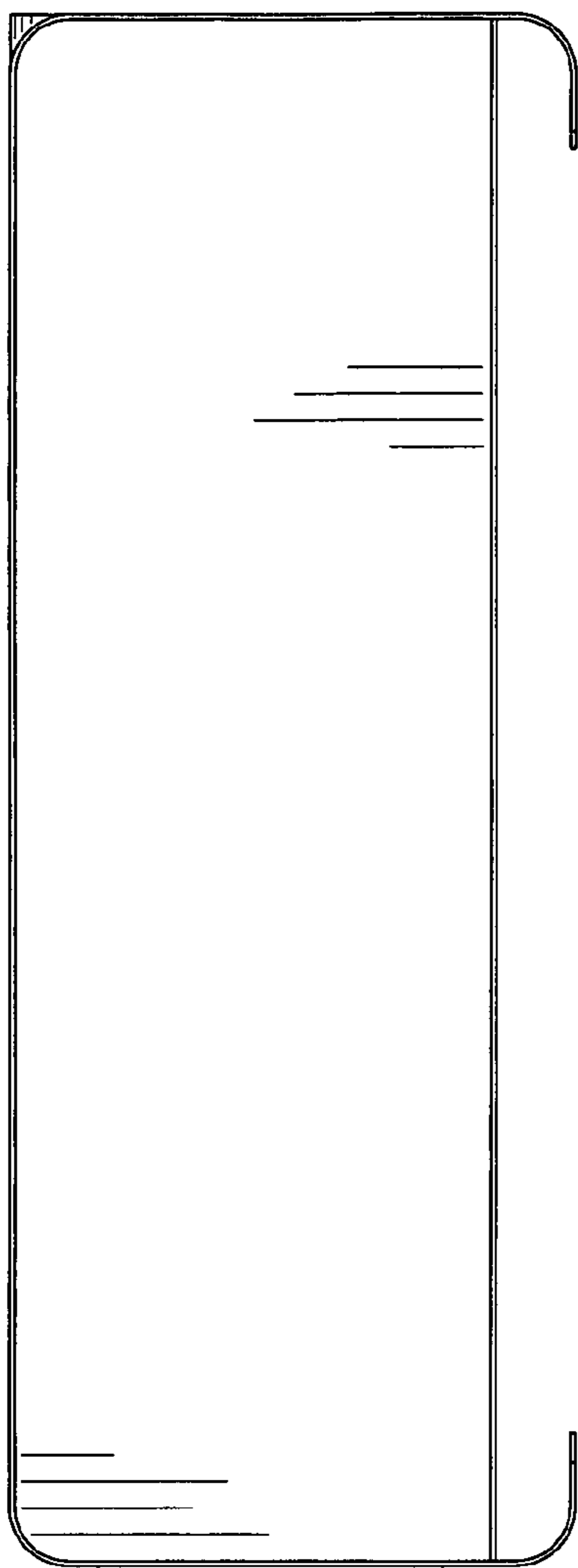


FIG. 4

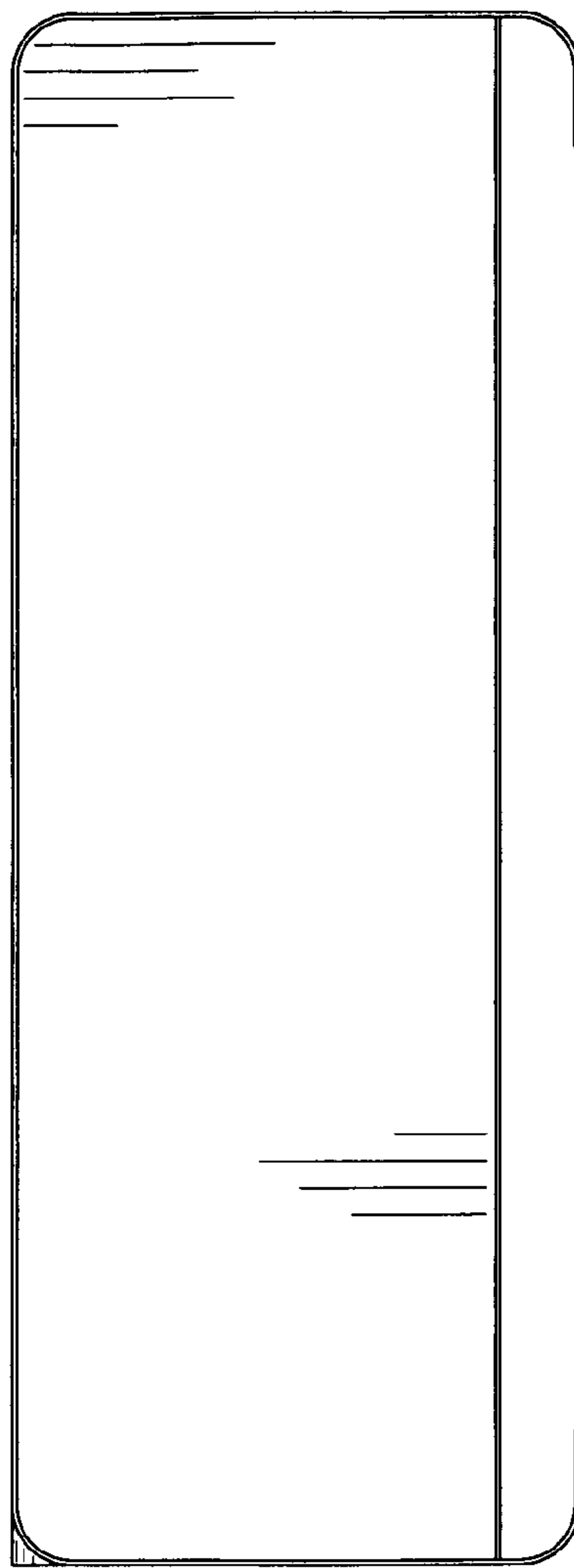


FIG. 5

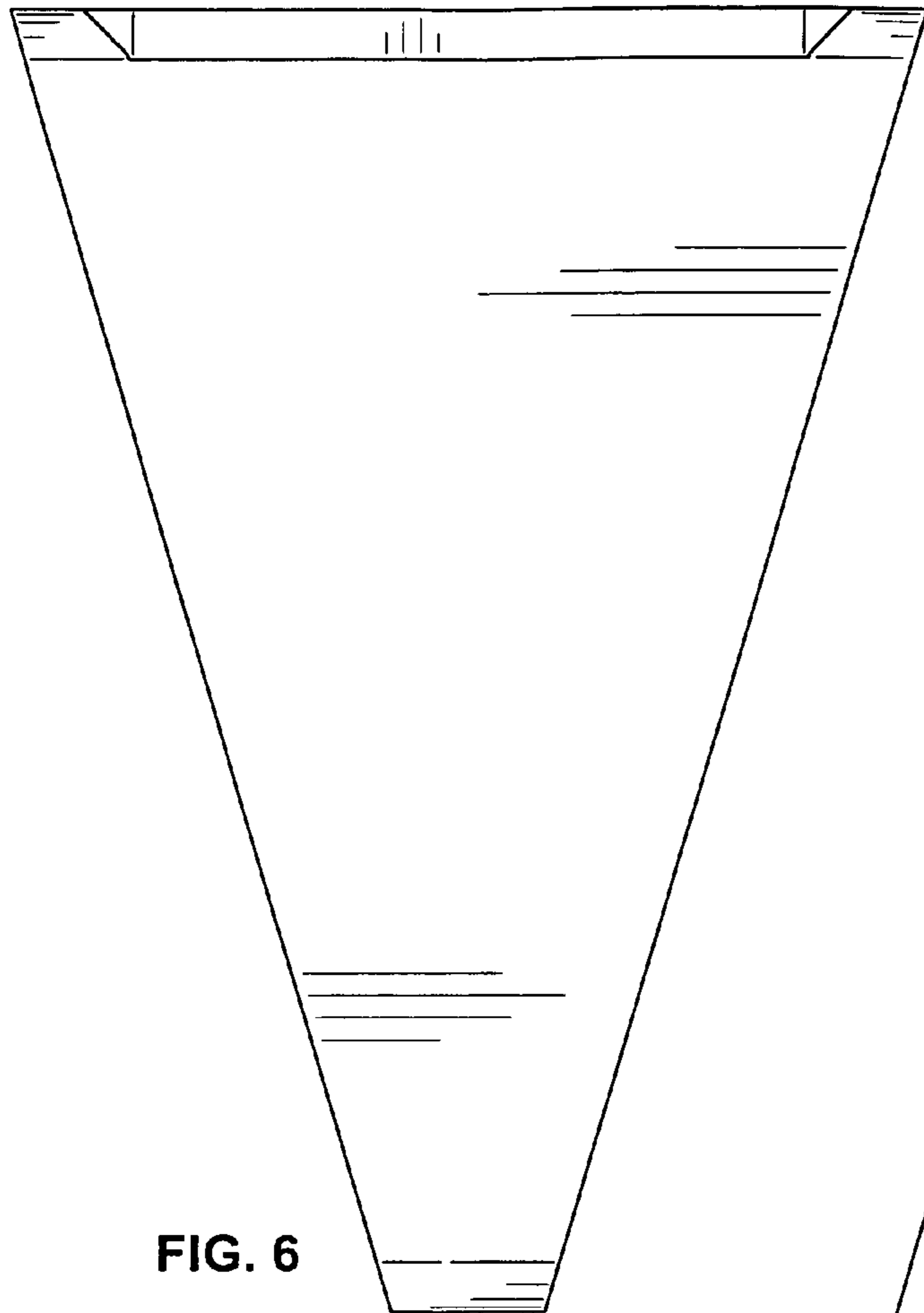


FIG. 6

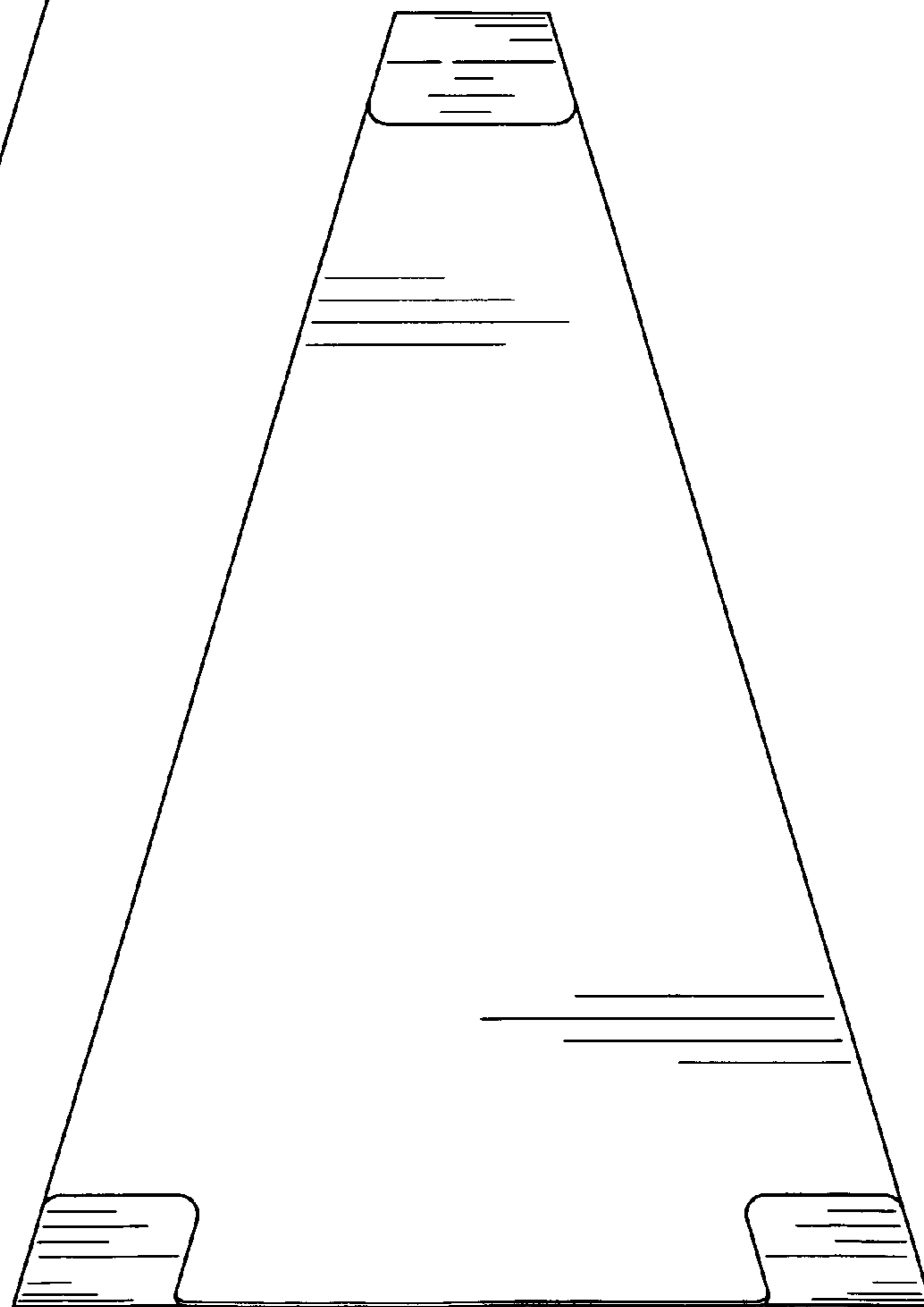


FIG. 7

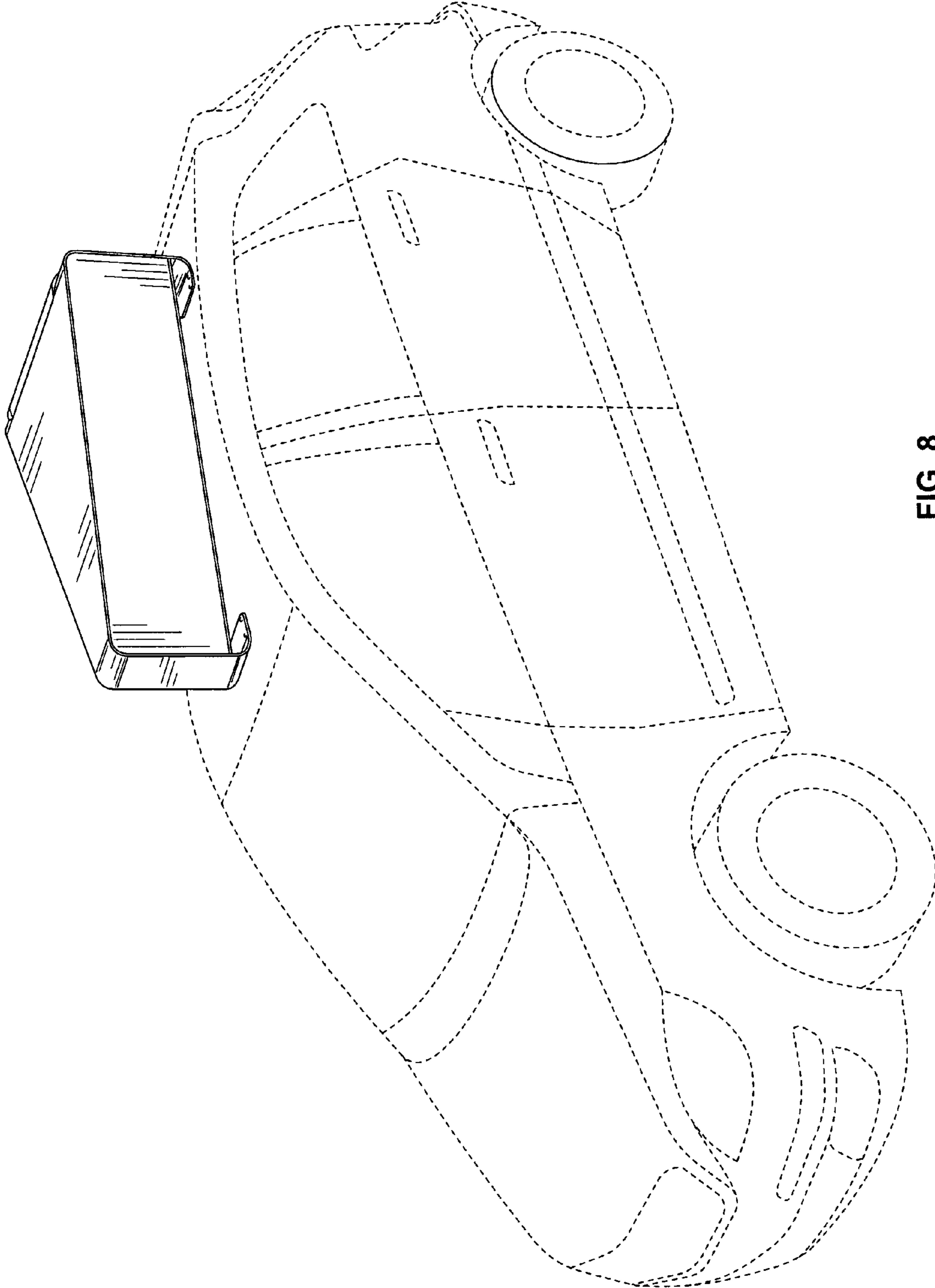


FIG. 8