



US00D657421S

(12) **United States Design Patent**
Yan

(10) **Patent No.:** **US D657,421 S**
(45) **Date of Patent:** **** Apr. 10, 2012**

(54) **CAR TOP DISPLAY**

(75) Inventor: **Simon Yan**, New York, NY (US)

(73) Assignee: **VeriFone, Inc.**, San Jose, CA (US)

(**) Term: **14 Years**

(21) Appl. No.: **29/373,024**

(22) Filed: **Feb. 17, 2011**

Related U.S. Application Data

(63) Continuation of application No. 29/370,834, filed on Sep. 10, 2010, now Pat. No. Des. 635,614.

(51) **LOC (9) Cl.** **20-03**

(52) **U.S. Cl.** **D20/10**

(58) **Field of Classification Search** D20/10,
D20/19, 27, 29, 39-44, 99; 40/556, 538,
40/541, 572, 584, 588, 591-593, 642.02,
40/643, 644; D10/104.1, 109.1, 109.2, 114.3;
D26/28, 31; 362/235, 493, 812

See application file for complete search history.

(56) **References Cited**

U.S. PATENT DOCUMENTS

3,242,329	A *	3/1966	Abrams	362/235
D205,209	S *	7/1966	Priddis	D26/31
3,290,813	A *	12/1966	Rose, Sr.	40/592
3,633,299	A *	1/1972	Westin	40/592
4,052,806	A *	10/1977	George	40/572
D255,726	S *	7/1980	Leuthesser	D26/31

D374,191	S *	10/1996	Terrebonne et al.	D10/114.3
5,711,100	A *	1/1998	Elmer	40/592
D480,432	S *	10/2003	Newman	D20/10
7,121,700	B1 *	10/2006	Scanlon	362/493
D635,614	S *	4/2011	Yan	D20/10

* cited by examiner

Primary Examiner — Mary Ann Calabrese

(74) *Attorney, Agent, or Firm* — Kolisch Hartwell. P.C.

(57) **CLAIM**

The ornamental design for a car top display, as shown and described.

DESCRIPTION

FIG. 1 is a front perspective view of a car top display showing my new design;

FIG. 2 is a front view of the car top display shown in FIG. 1;

FIG. 3 is a rear view of the car top display shown in FIG. 1;

FIG. 4 is a right side view of the car top display shown in FIG. 1;

FIG. 5 is a left side view of the car top display shown in FIG. 1;

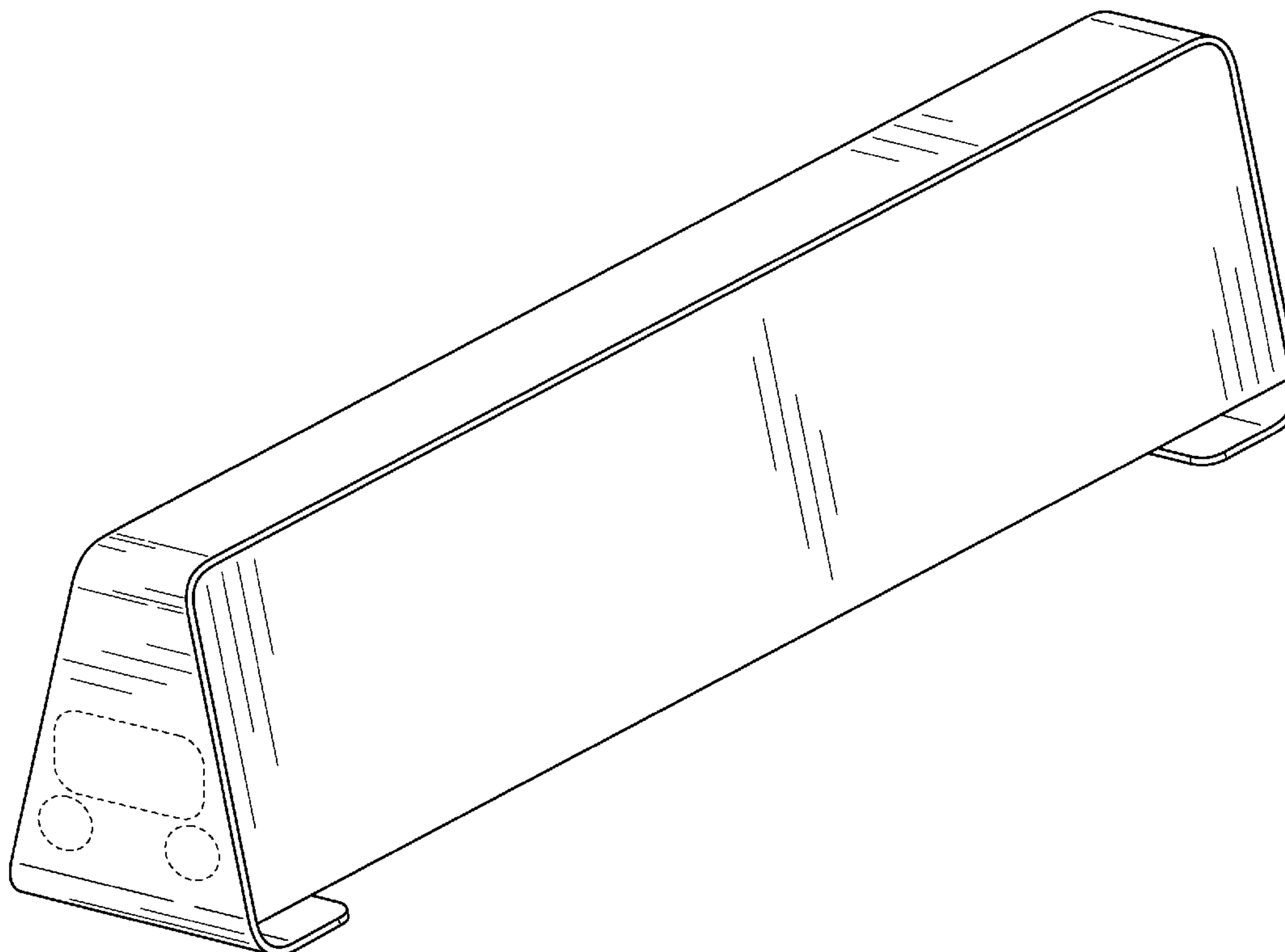
FIG. 6 is a top view of the car top display shown in FIG. 1;

FIG. 7 is a bottom view of the car top display shown in FIG. 1; and,

FIG. 8 is a front perspective view of the car top display shown in FIG. 1, depicted in the environment of a taxi cab.

The broken lines showing of the taxi cab and circular display portions are for illustrative purposes only and form no part of the claimed design.

1 Claim, 5 Drawing Sheets



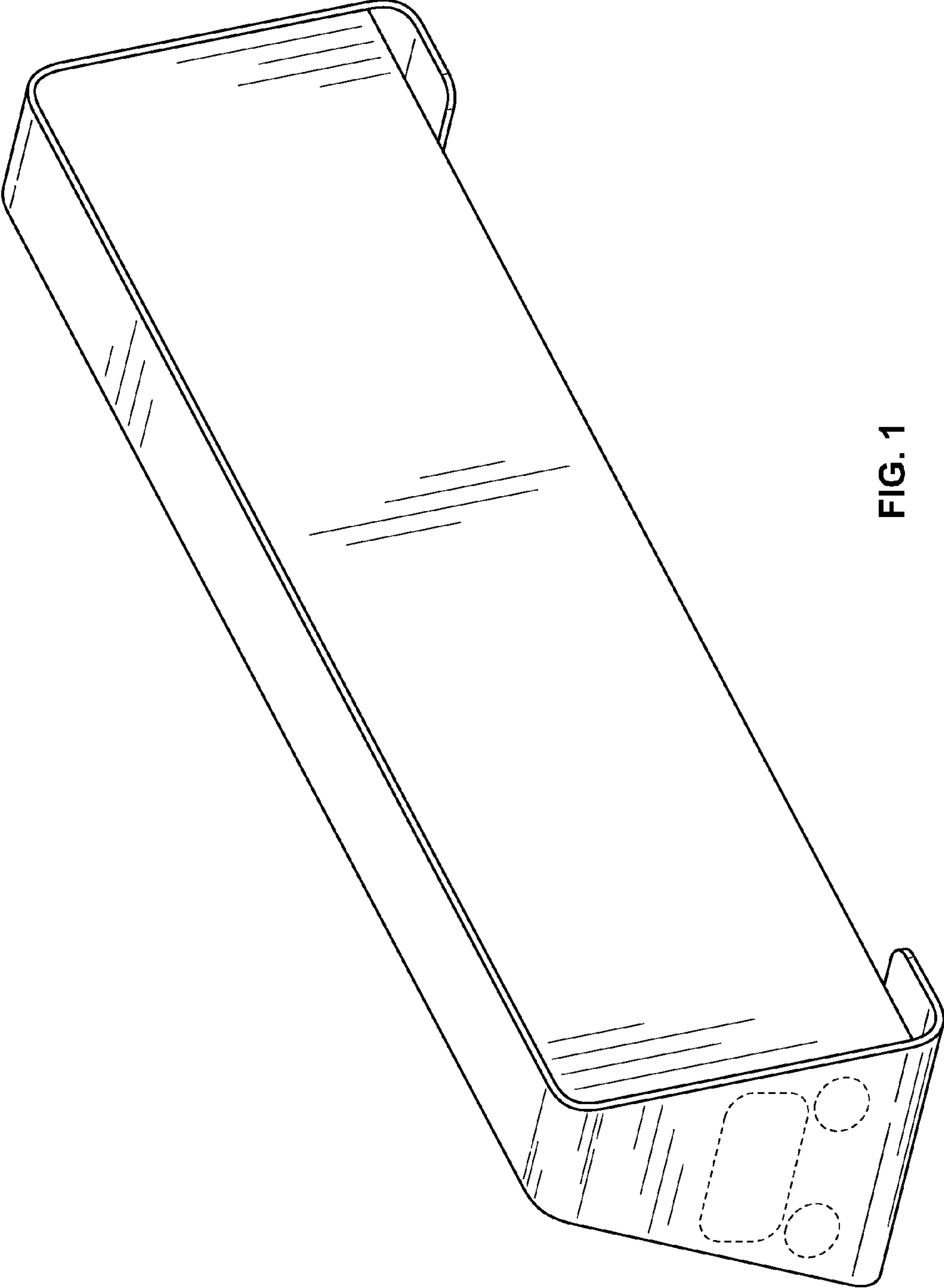


FIG. 1

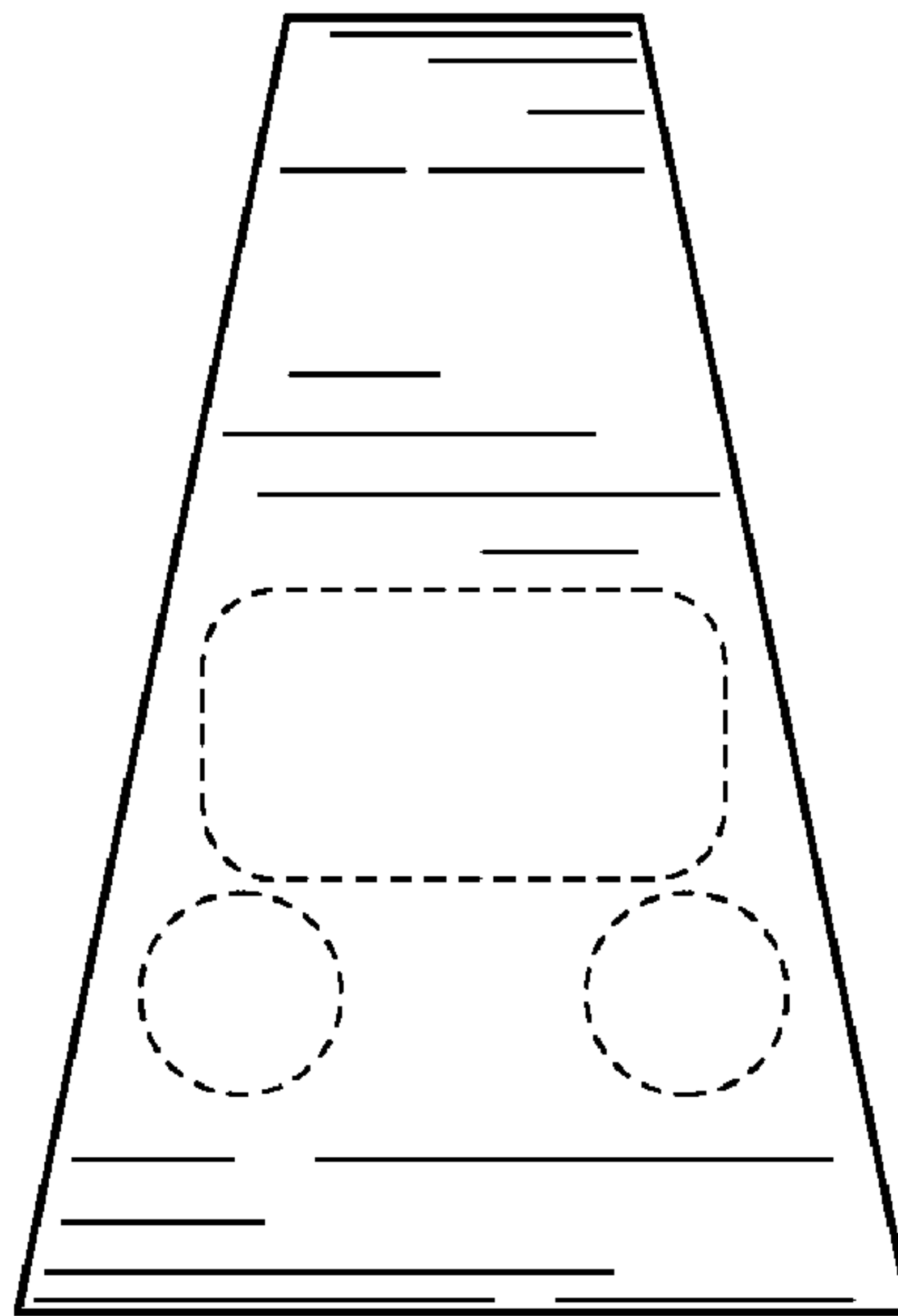


FIG. 2

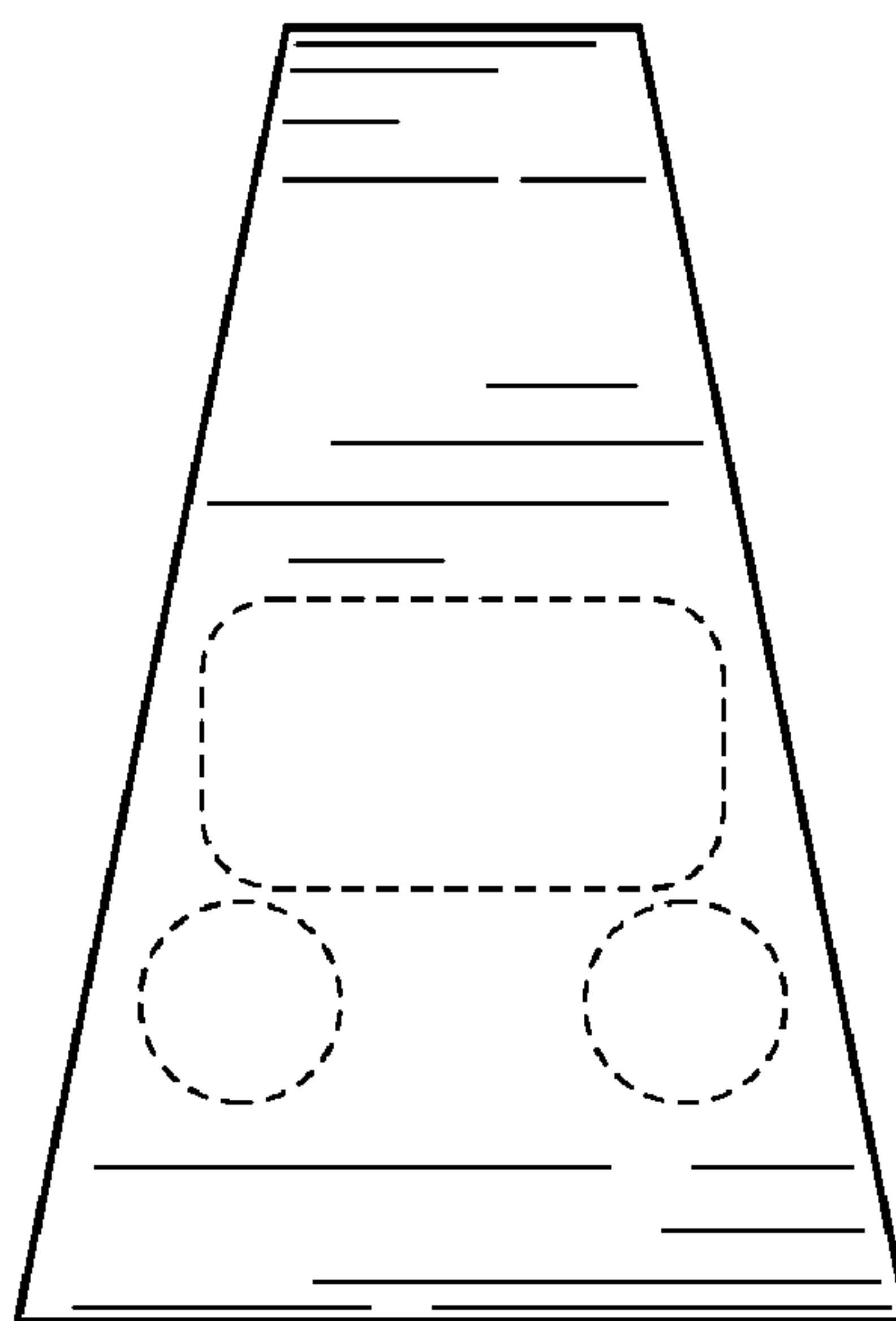


FIG. 3

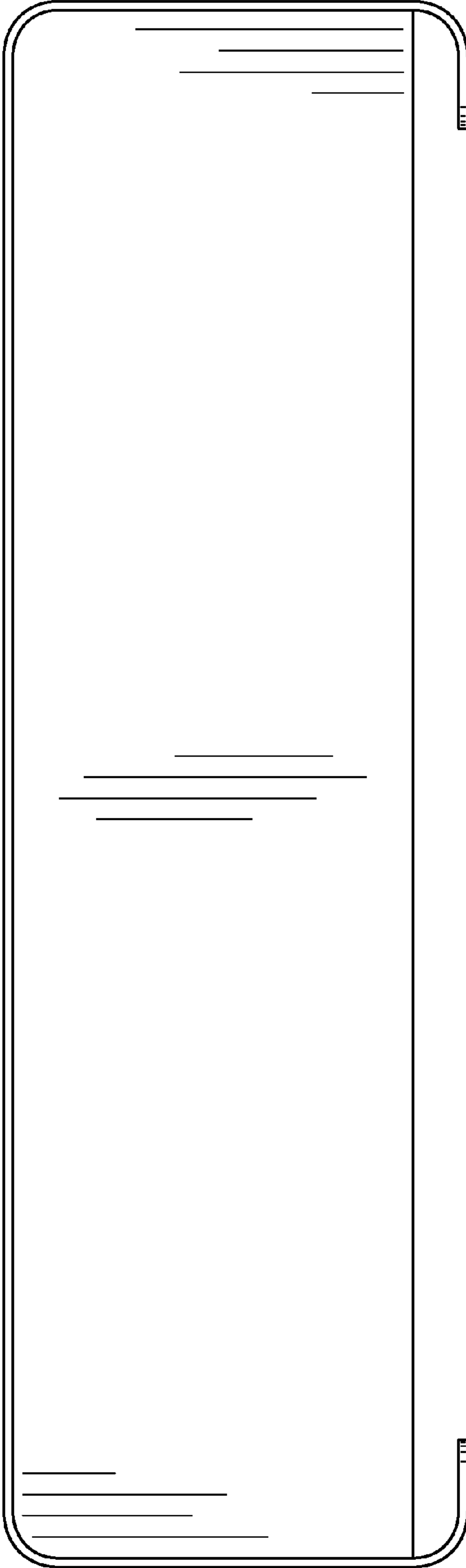


FIG. 4

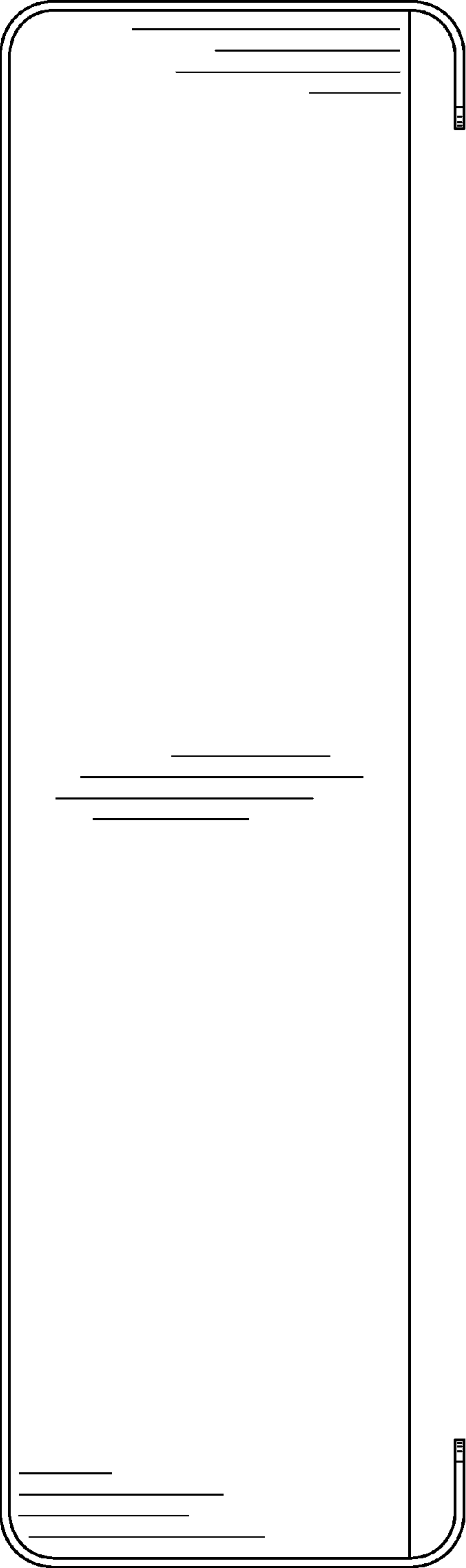


FIG. 5

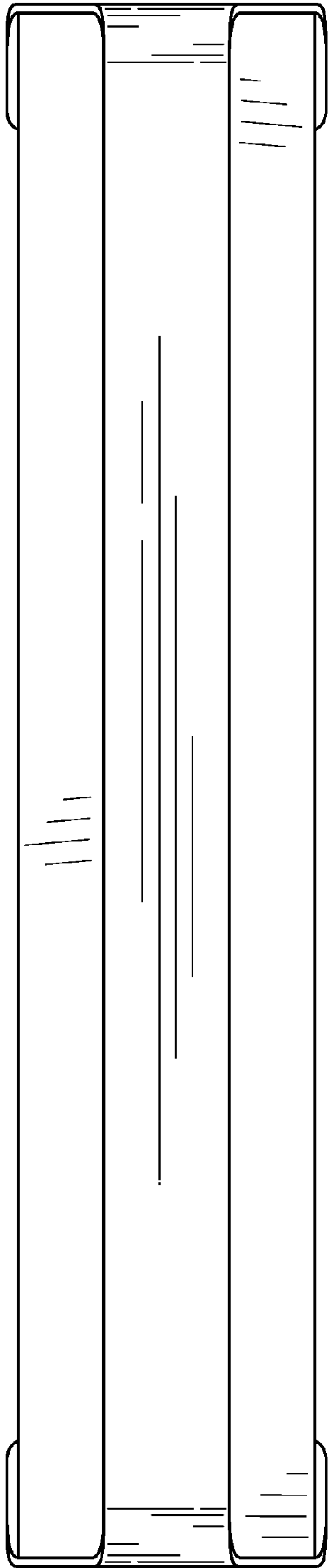


FIG. 6

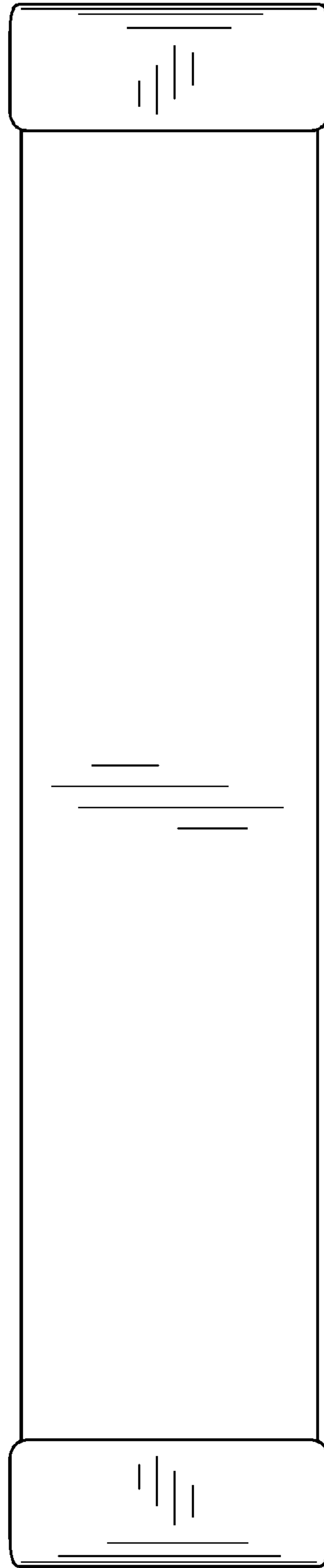


FIG. 7

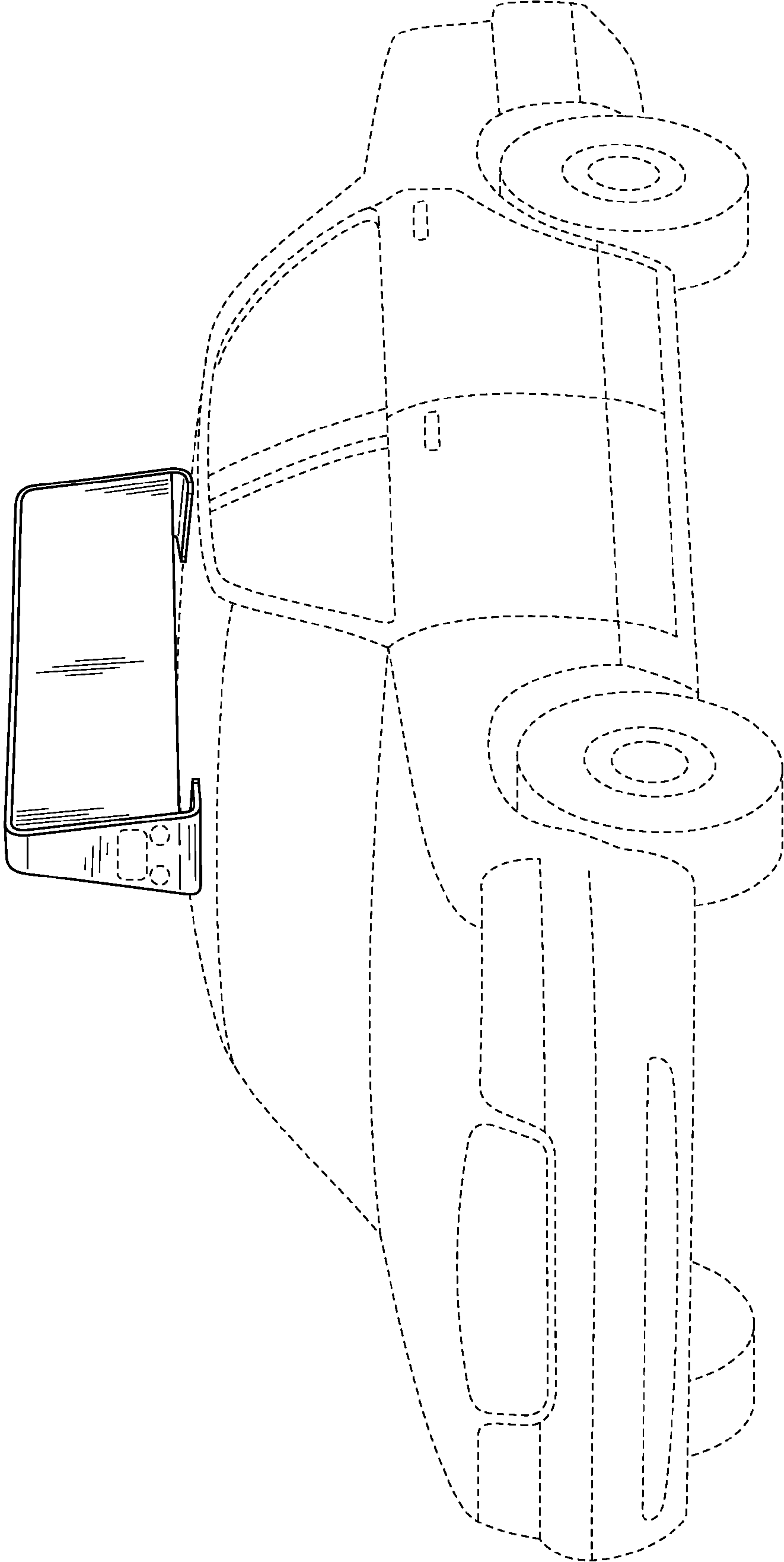


FIG. 8