



US00D657420S

(12) **United States Design Patent**
Clover et al.

(10) **Patent No.:** **US D657,420 S**

(45) **Date of Patent:** **** Apr. 10, 2012**

(54) **TAPE DISPENSER**

(75) Inventors: **Kristopher W. Clover**, Minnetonka, MN (US); **Thomas C. Meier**, Woodbury, MN (US)

(73) Assignee: **3M Innovative Properties Company**, St. Paul, MN (US)

(**) Term: **14 Years**

(21) Appl. No.: **29/399,967**

(22) Filed: **Aug. 22, 2011**

(51) **LOC (9) Cl.** **08-02**

(52) **U.S. Cl.** **D19/69**

(58) **Field of Classification Search** D19/36,
D19/70, 69, 68; D13/133, 146; 242/588.6,
242/588.3, 588.2; 225/77, 6, 56, 69, 26,
225/25, 19, 11; 206/411; 156/577, 527,
156/523

See application file for complete search history.

(56) **References Cited**

U.S. PATENT DOCUMENTS

D494,623	S	*	8/2004	Huang	D19/69
D567,292	S	*	4/2008	Mohoney	D19/69
D570,919	S	*	6/2008	Chan et al.	D19/69
D615,592	S	*	5/2010	Shaha et al.	D19/69
D634,784	S	*	3/2011	Trotter et al.	D19/69
D640,323	S	*	6/2011	Broen et al.	D19/69
D640,324	S	*	6/2011	Broen et al.	D19/69
D640,325	S	*	6/2011	Broen et al.	D19/69
D647,565	S	*	10/2011	Pourian et al.	D19/69

* cited by examiner

Primary Examiner — Austin Murphy

(74) *Attorney, Agent, or Firm* — Robert H. Jordan

(57) **CLAIM**

The ornamental design for a tape dispenser, as shown and described.

DESCRIPTION

FIG. 1 is a perspective view of a first embodiment of the new design of tape dispenser showing an illustrative use with a single roll of tape;

FIG. 2 is a right side view thereof, the left side view being a mirror image thereof;

FIG. 3 is a top view thereof;

FIG. 4 is a bottom view thereof;

FIG. 5 is a front view thereof;

FIG. 6 is a rear view thereof;

FIG. 7 is a perspective view of a second embodiment of the new design of tape dispenser showing an illustrative use with two rolls of tape;

FIG. 8 is a right side view thereof, the left side view being a mirror image thereof;

FIG. 9 is a top view thereof;

FIG. 10 is a bottom view thereof;

FIG. 11 is a front view thereof;

FIG. 12 is a rear view thereof;

FIG. 13 is a perspective view of the second embodiment of the new design of tape dispenser showing an illustrative use with three rolls of tape;

FIG. 14 is a right side view thereof, the left side view being a mirror image thereof;

FIG. 15 is a top view thereof;

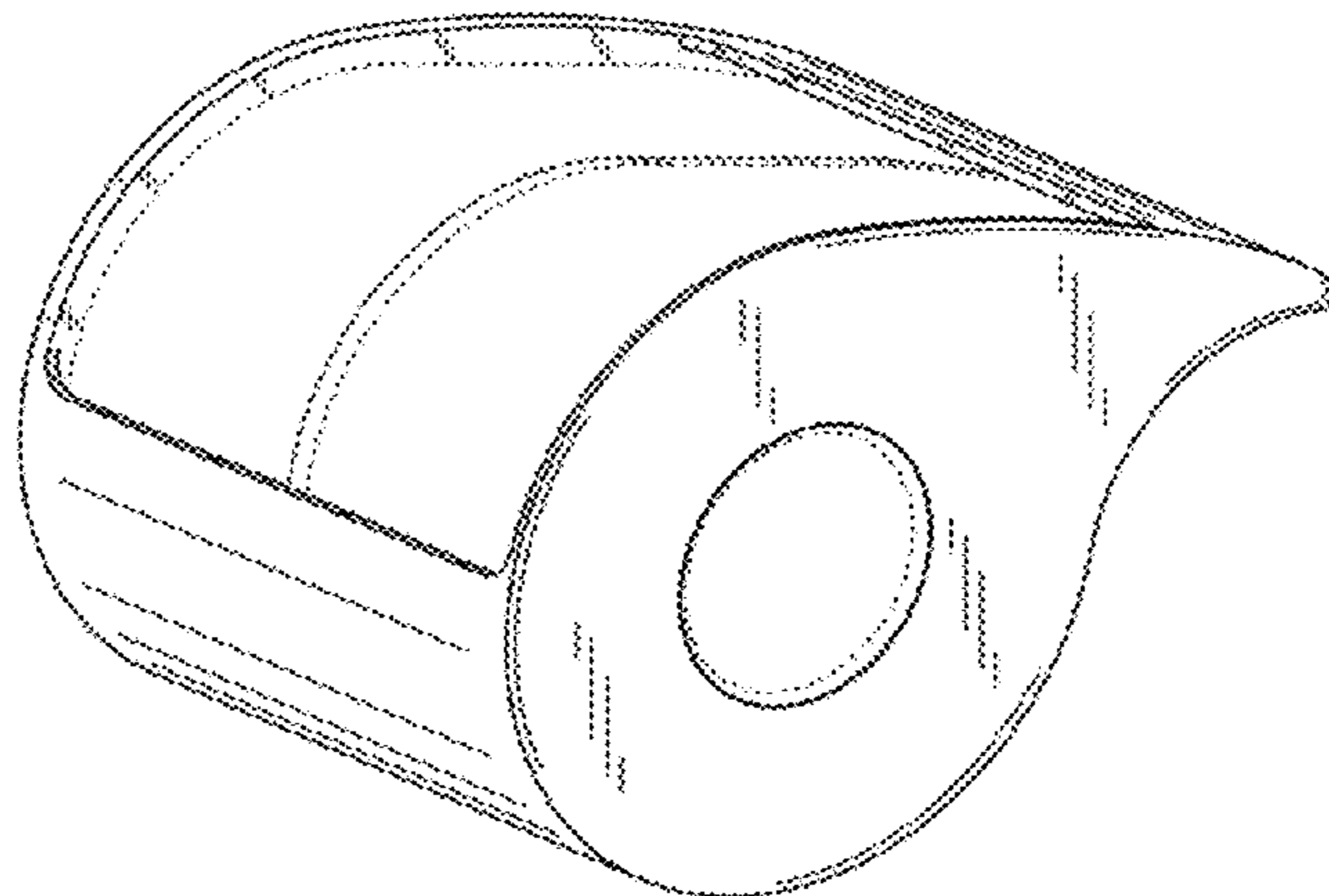
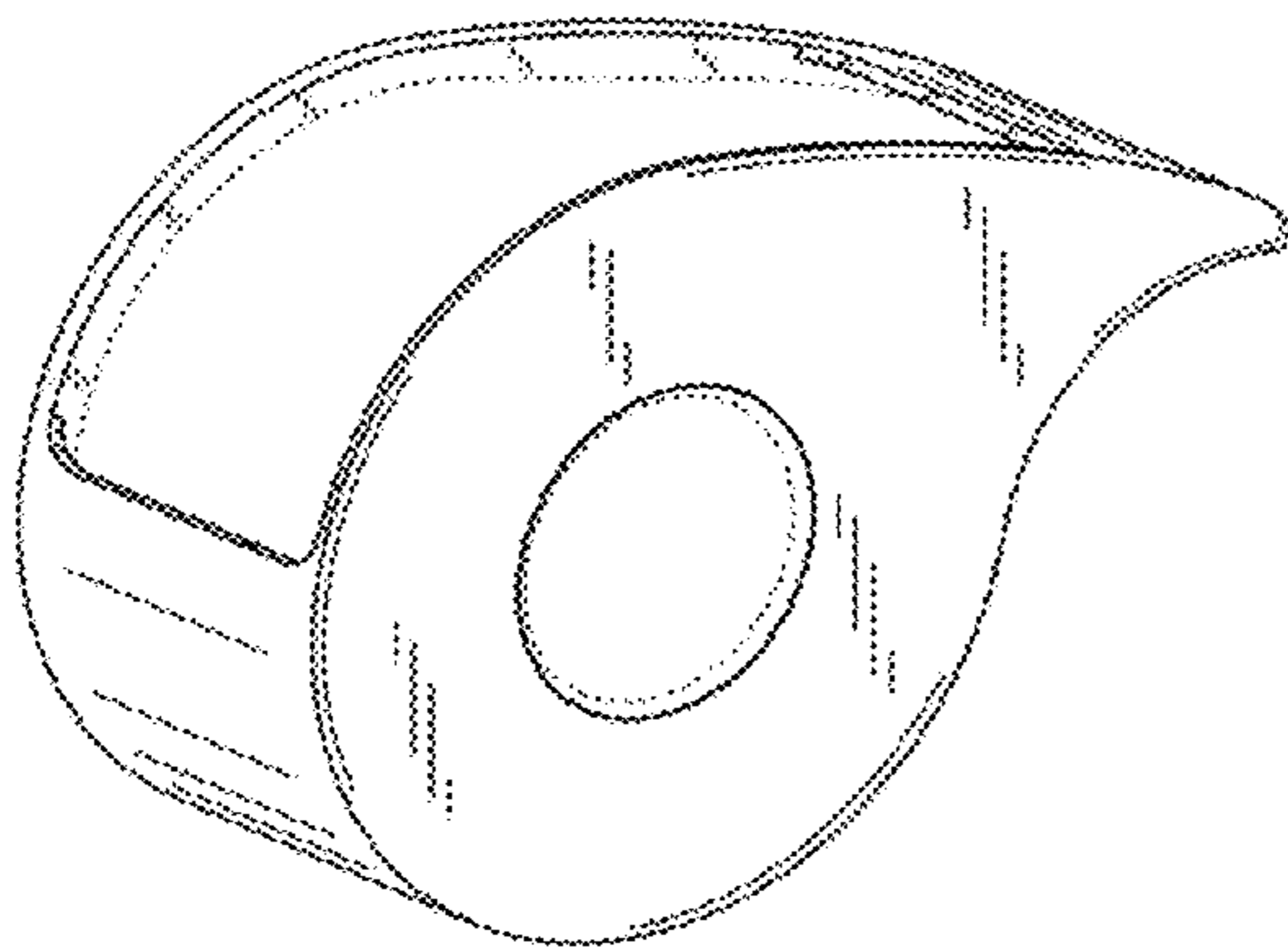
FIG. 16 is a bottom view thereof;

FIG. 17 is a front view thereof; and,

FIG. 18 is a rear view thereof.

The broken lines showing tape, tape cores, and tape roll dividers in various figures are included for the purpose of illustrating features that form no part of the claimed design.

1 Claim, 8 Drawing Sheets



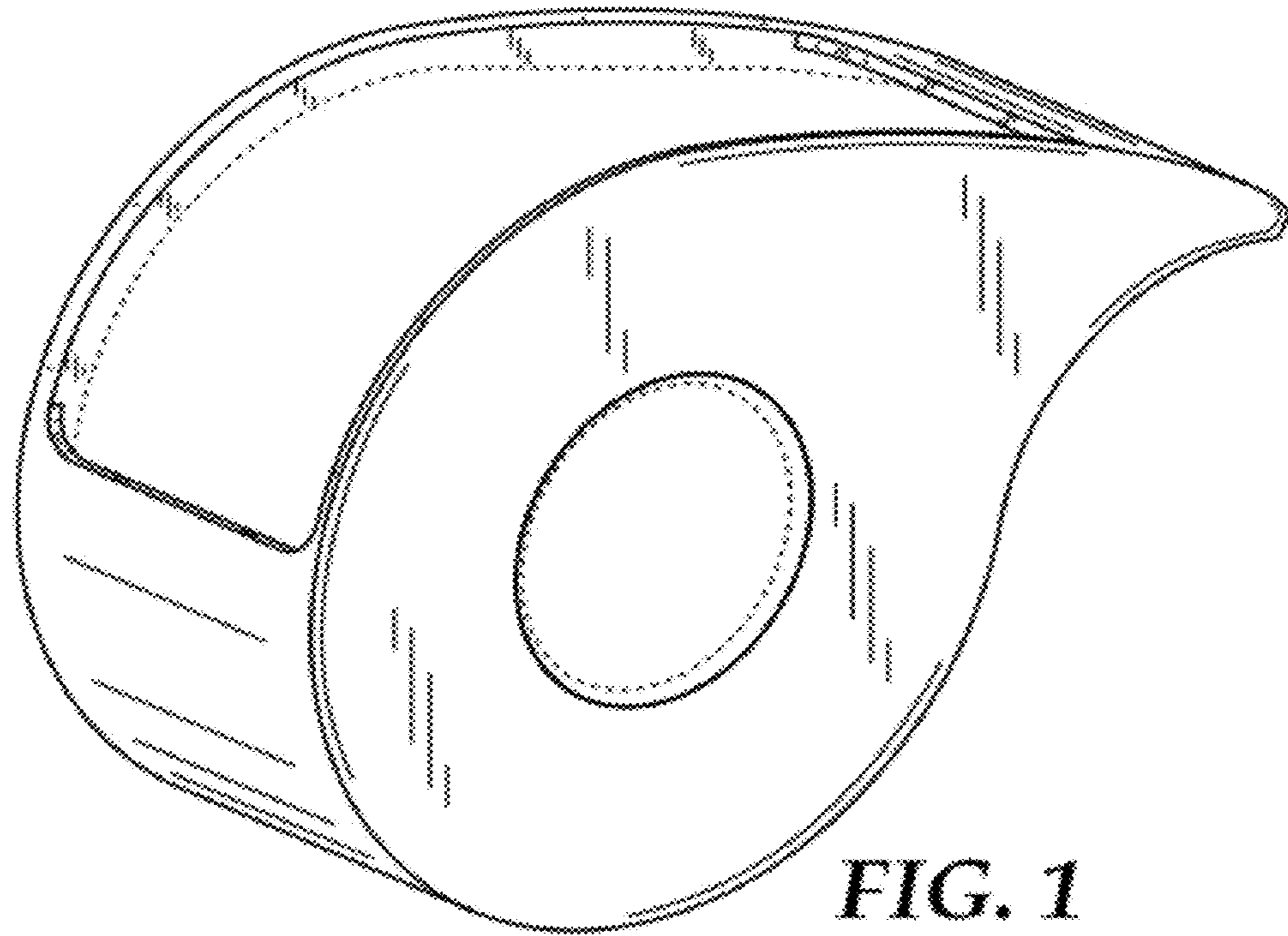


FIG. 1

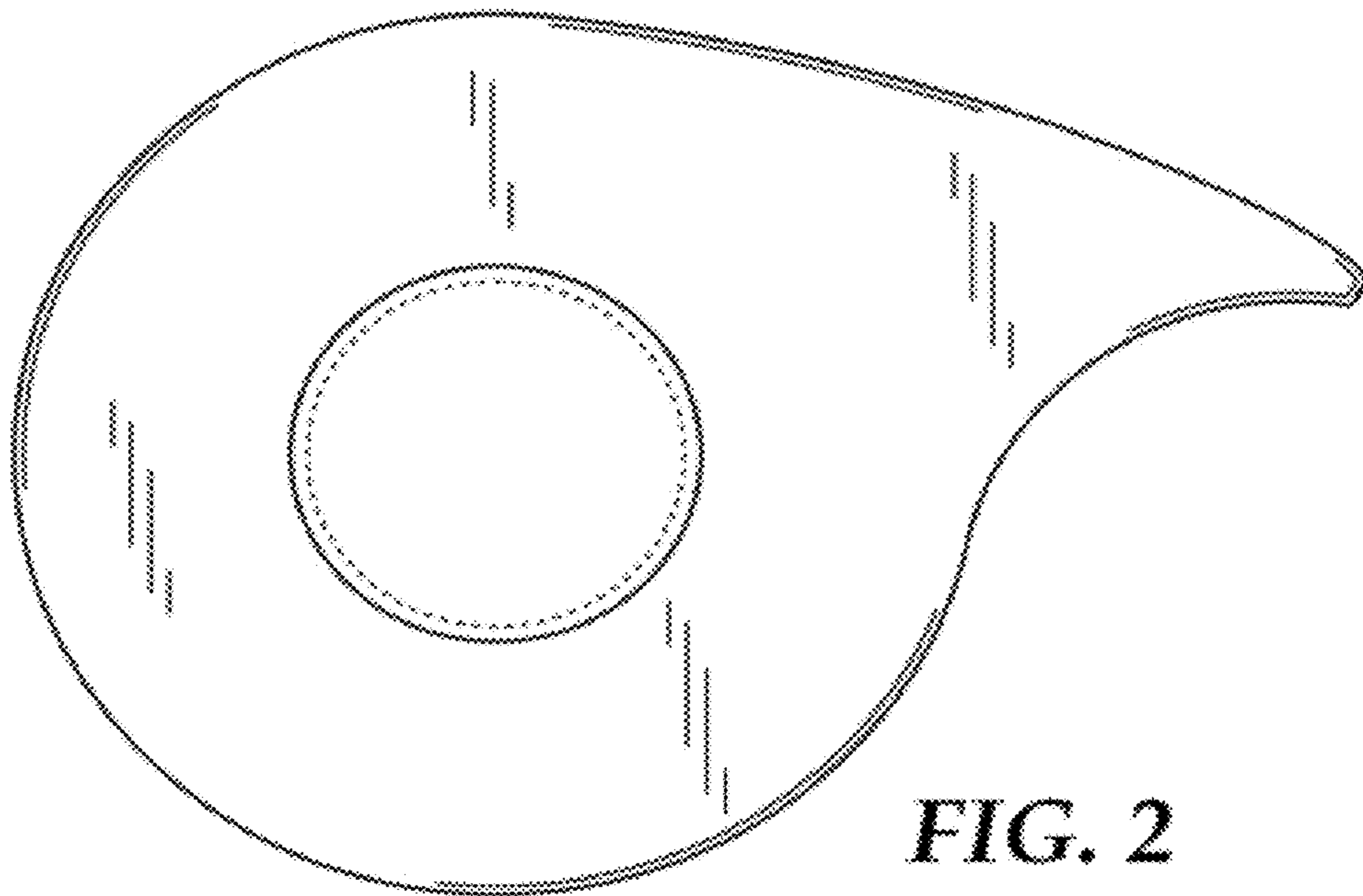


FIG. 2

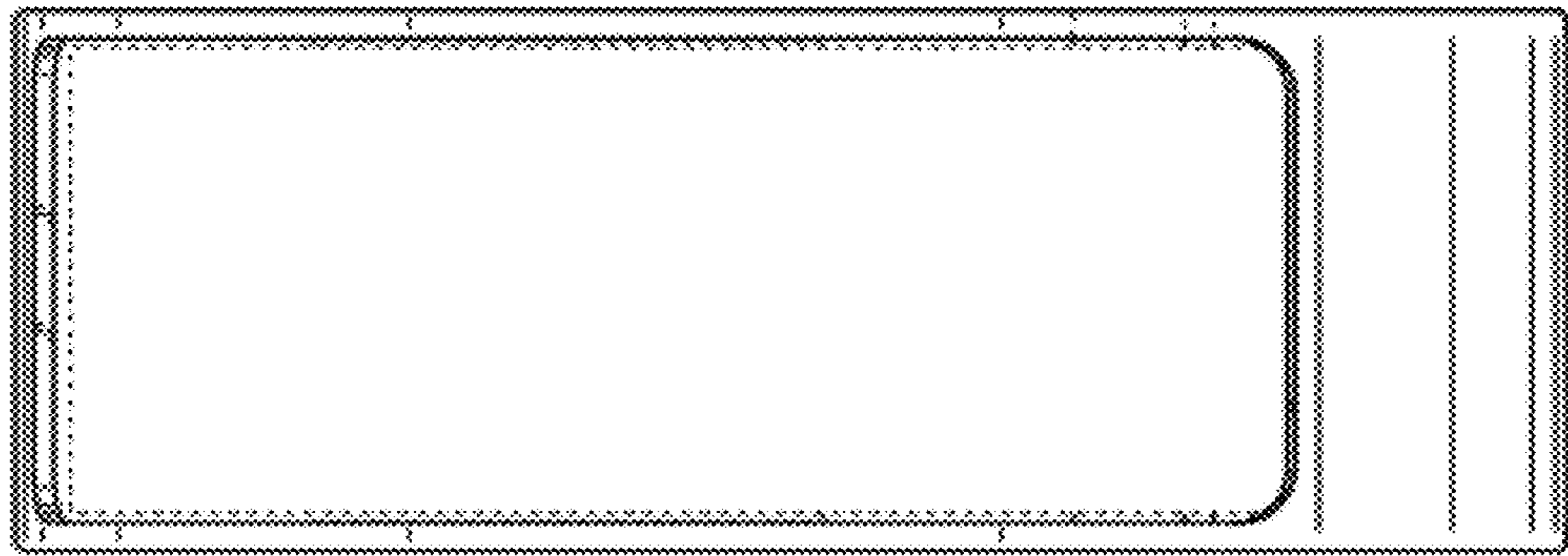


FIG. 3

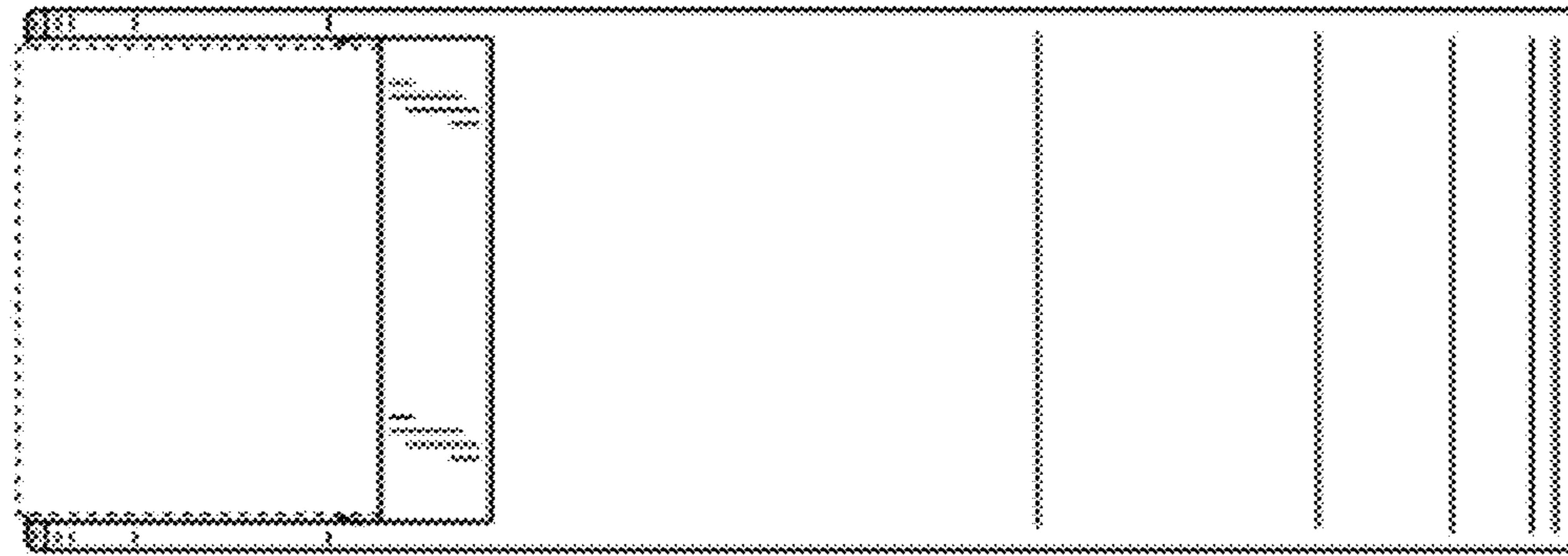


FIG. 4

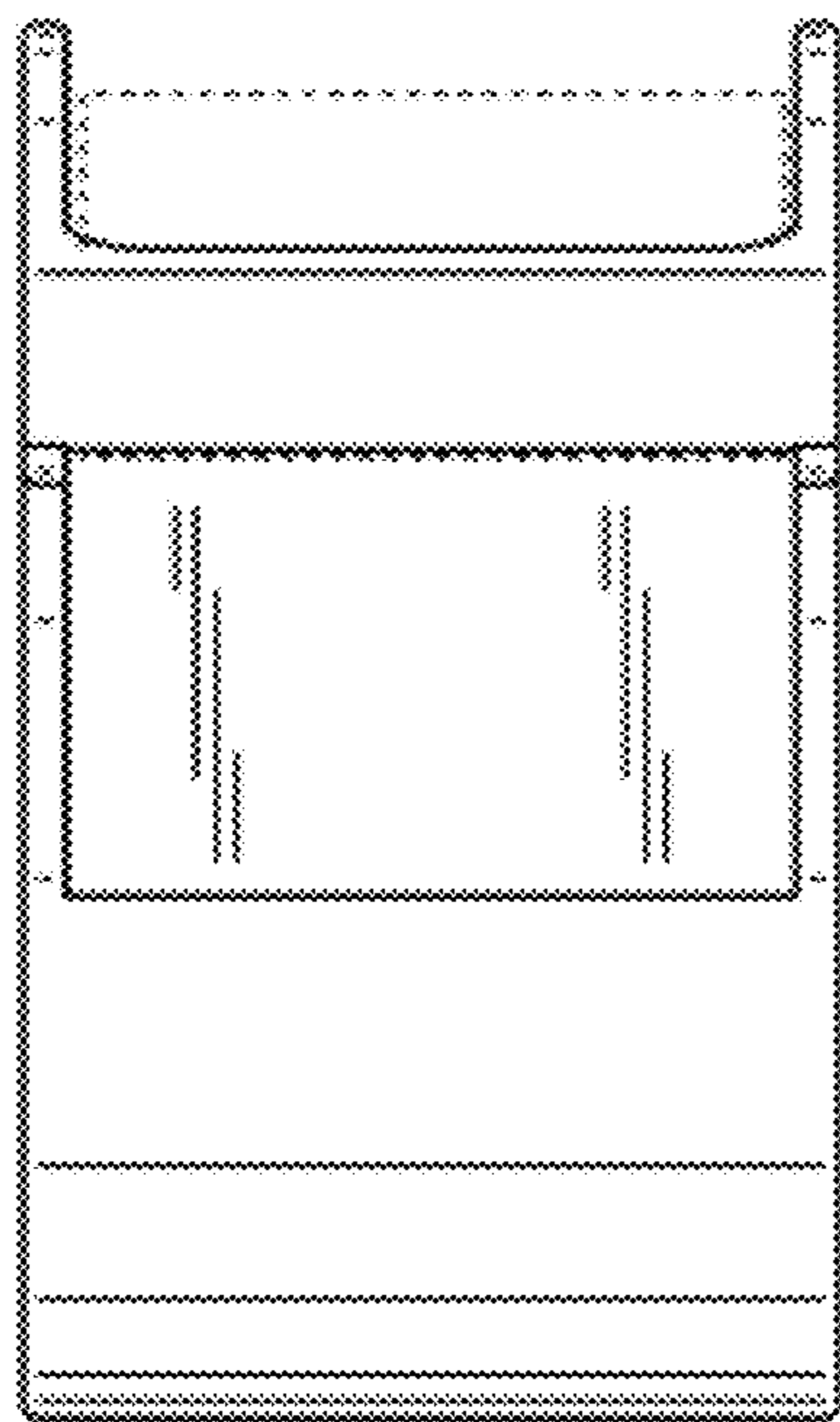


FIG. 5

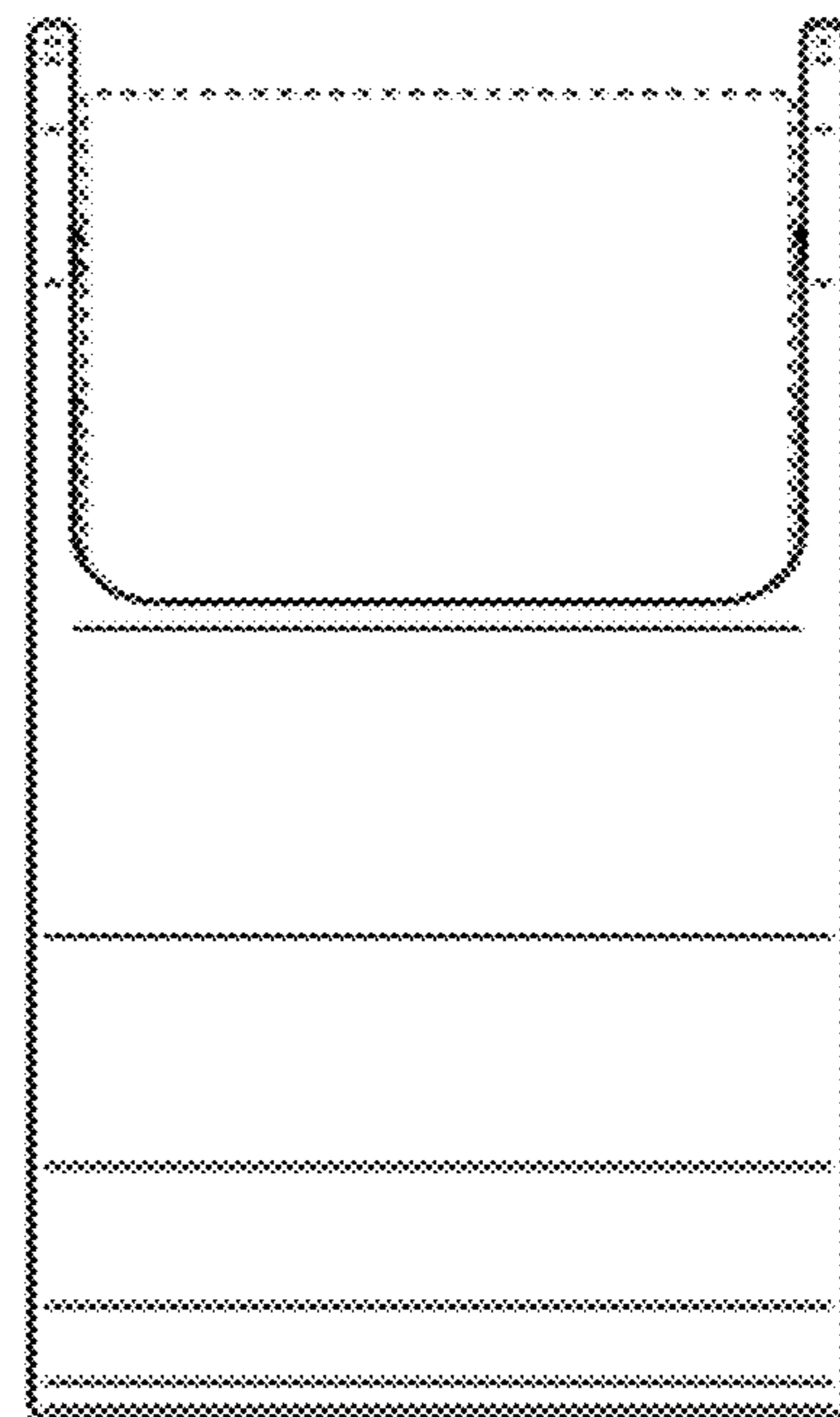


FIG. 6

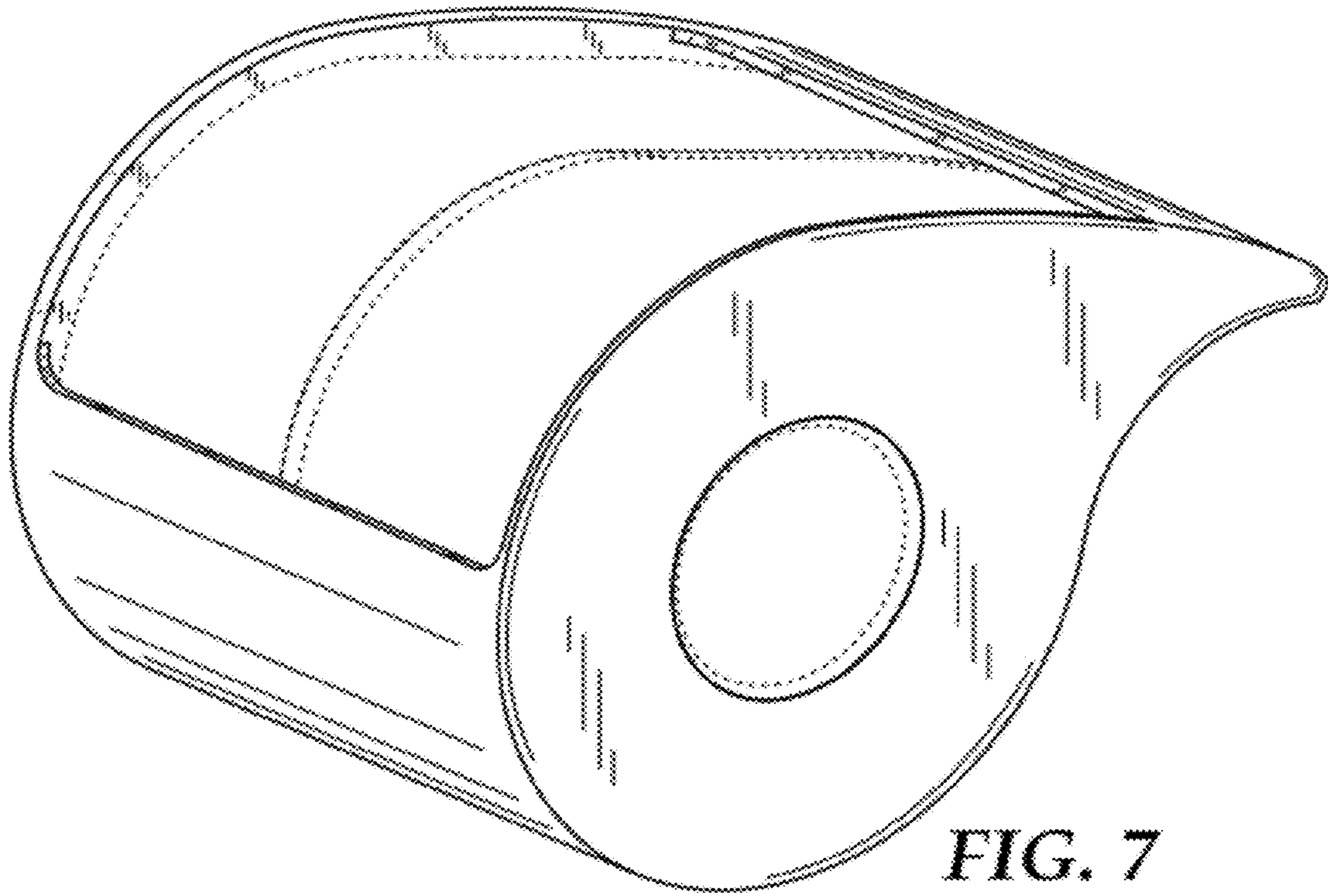


FIG. 7

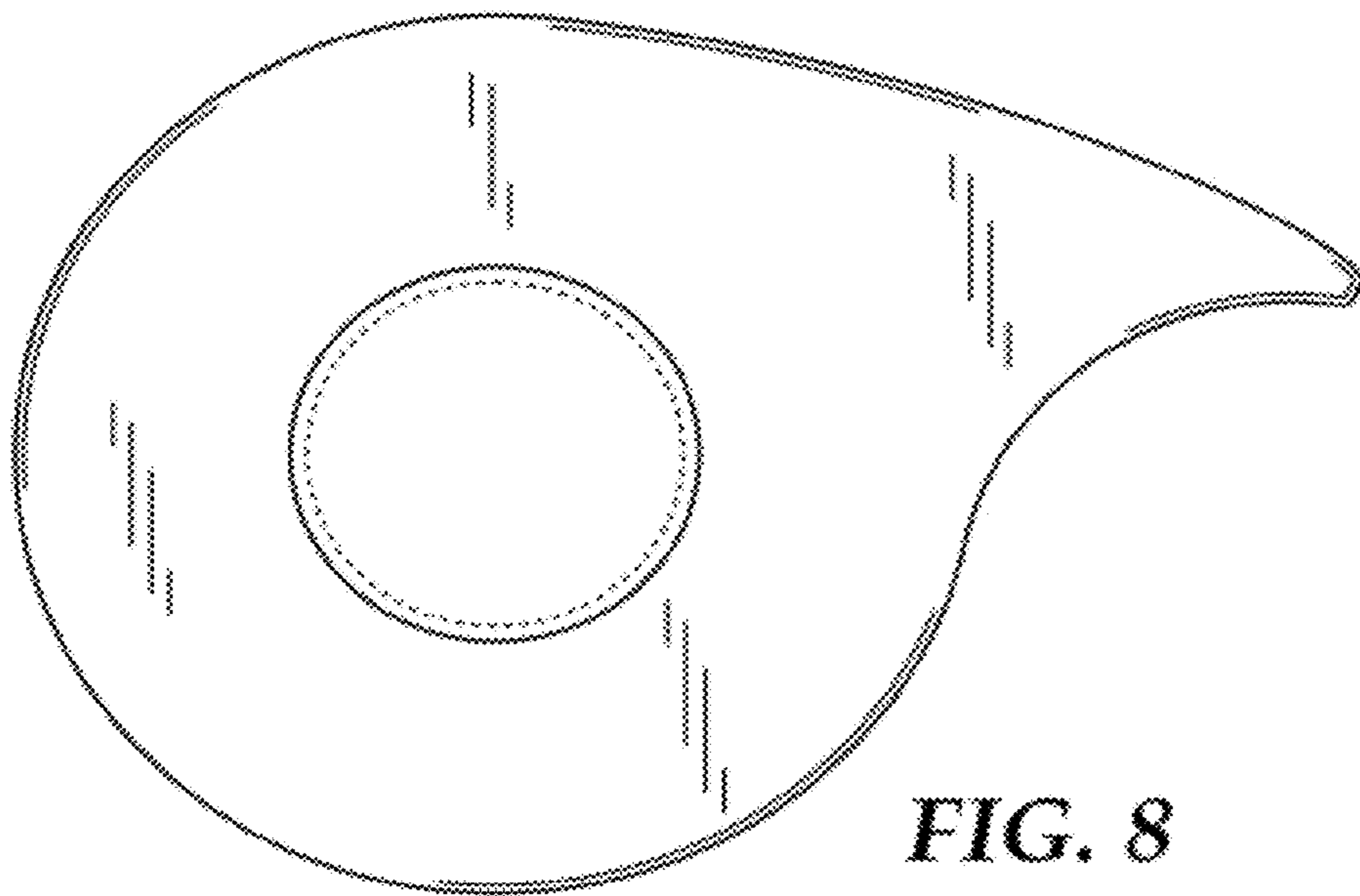


FIG. 8

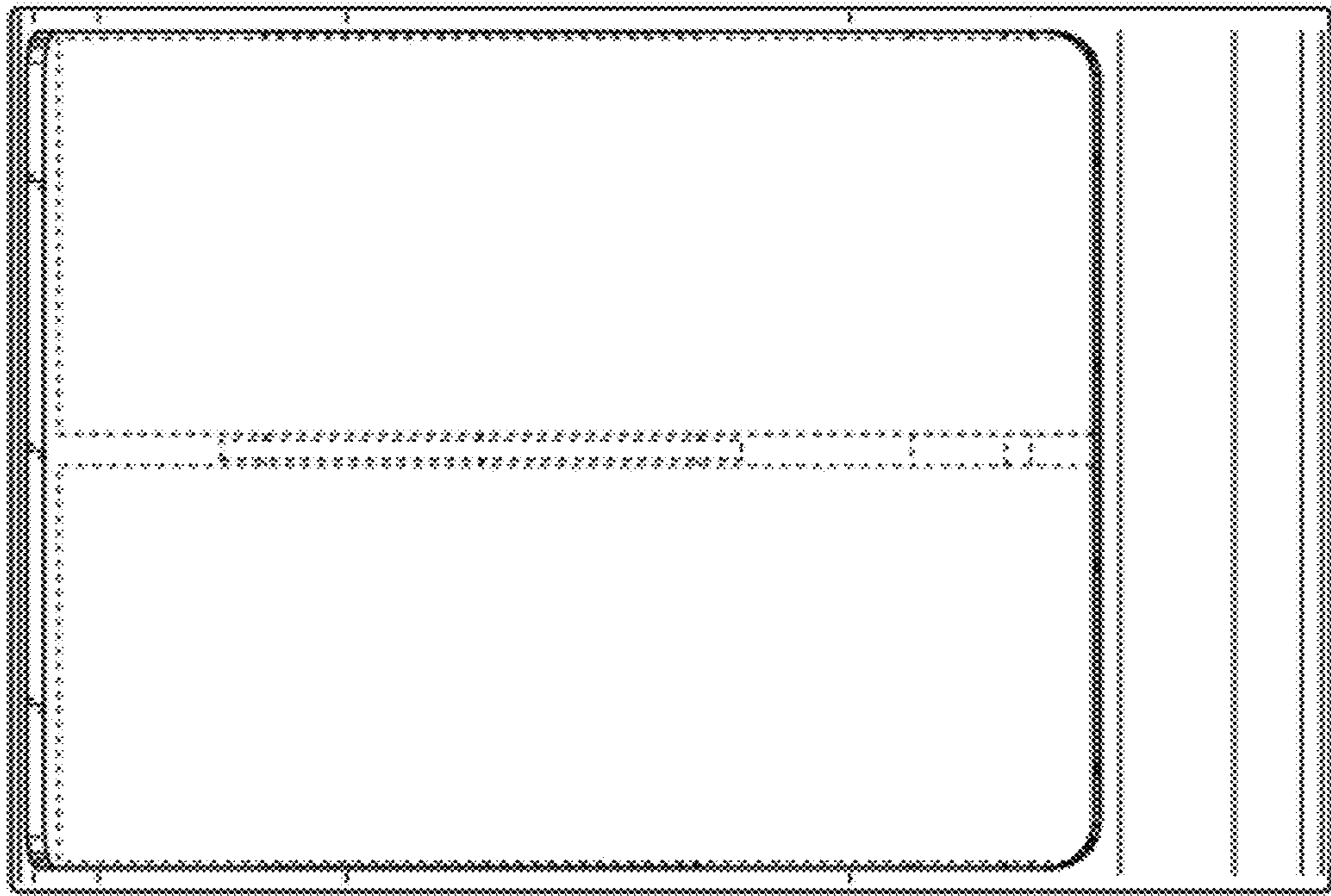


FIG. 9

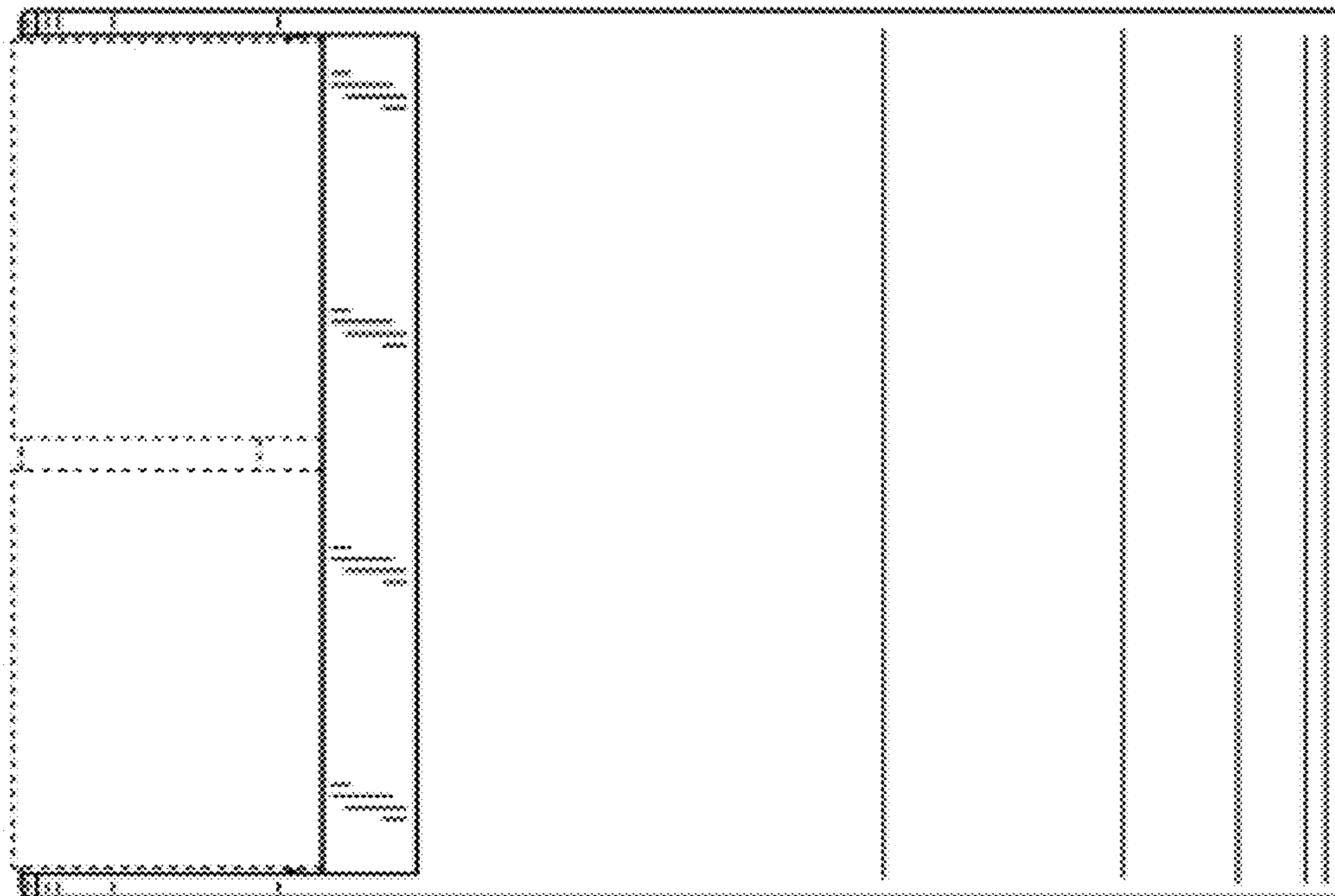


FIG. 10

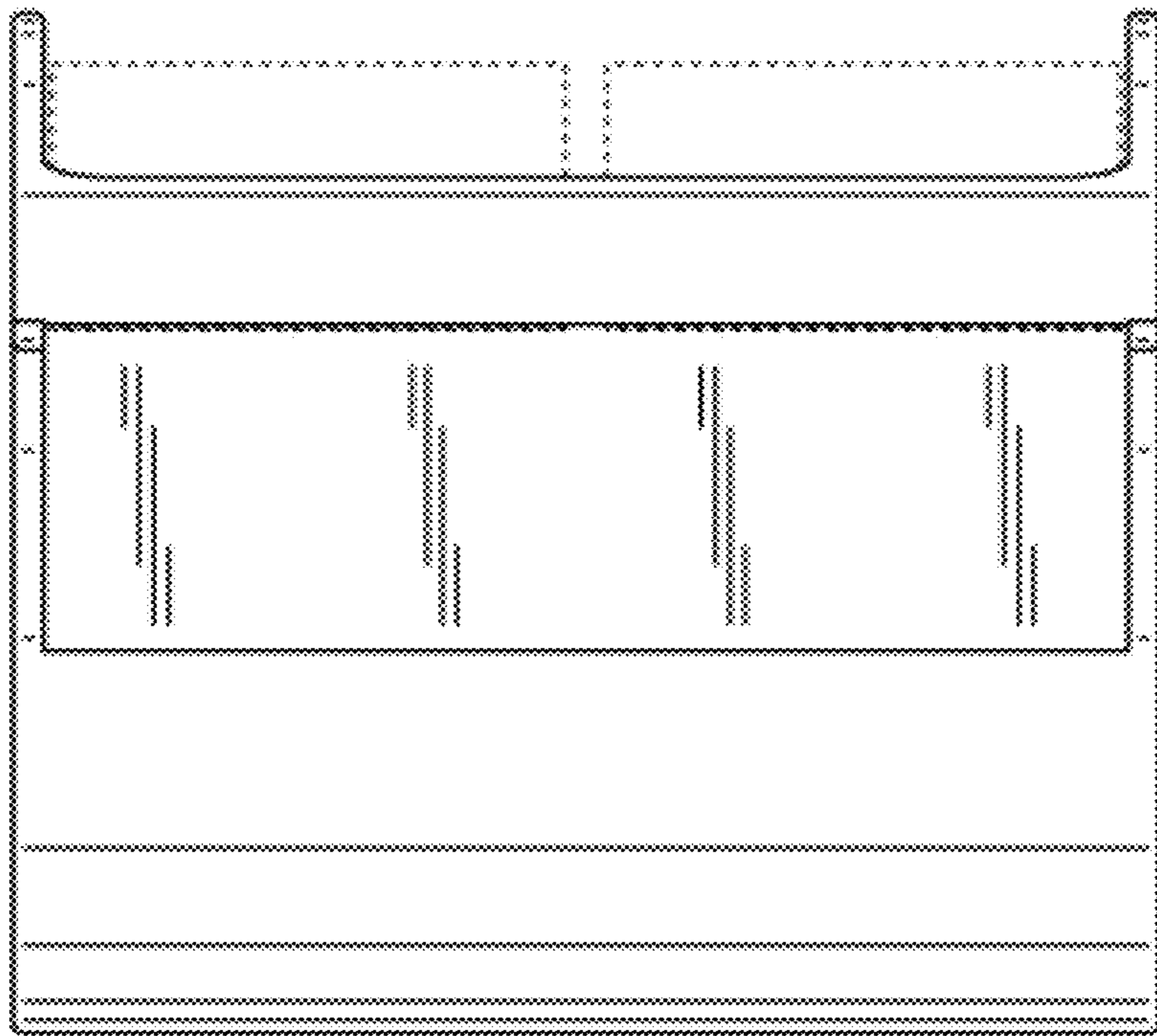


FIG. 11

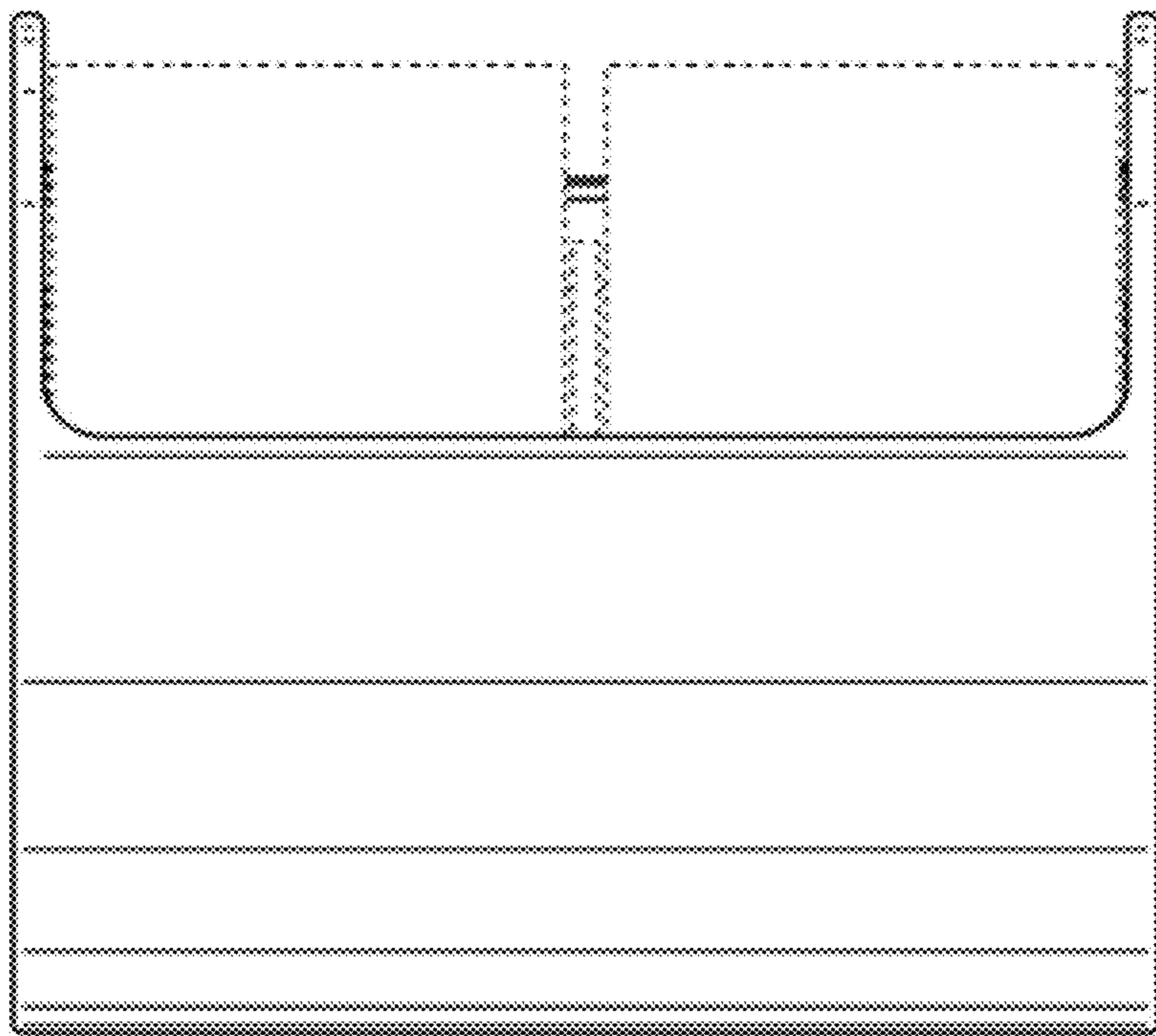


FIG. 12

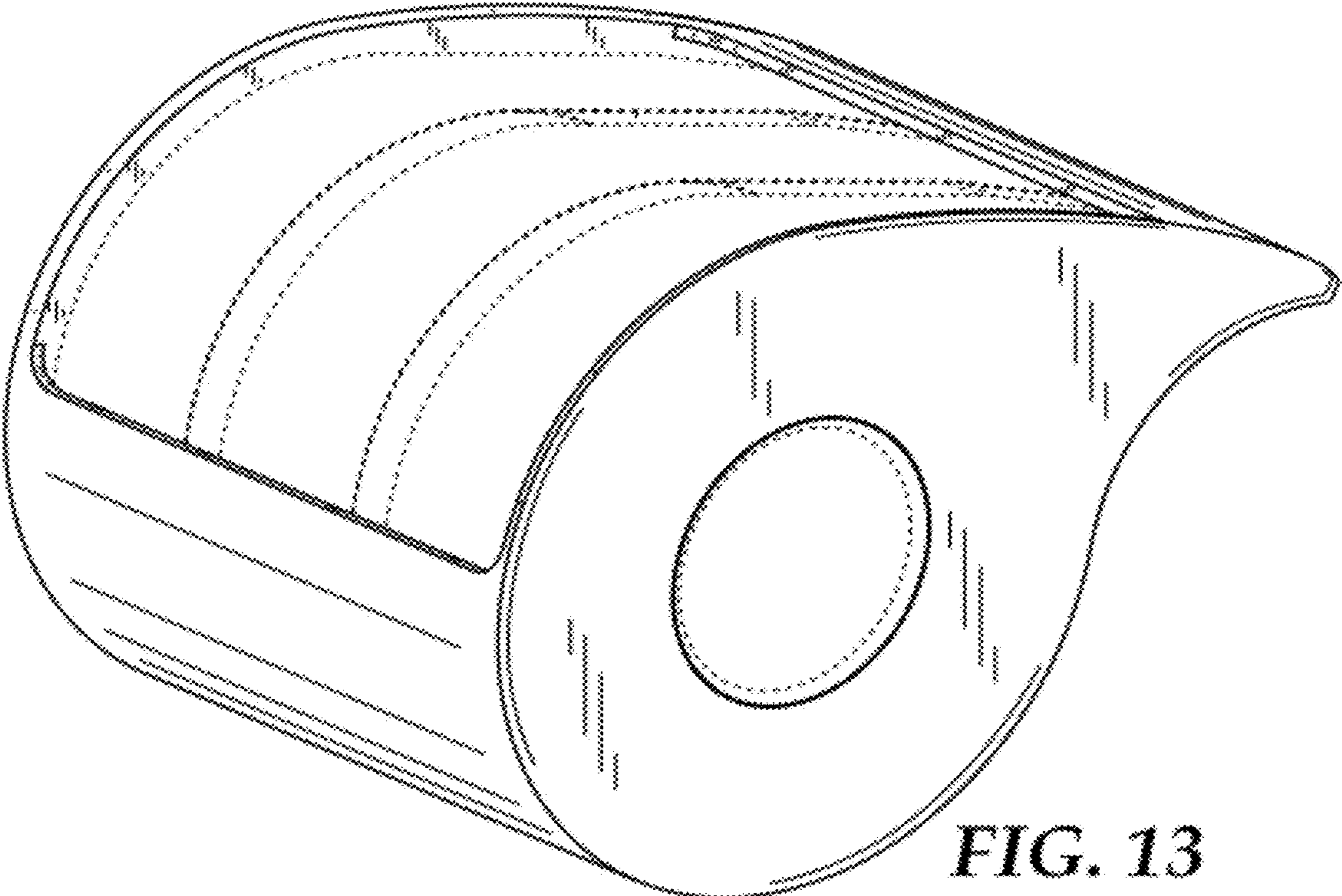


FIG. 13

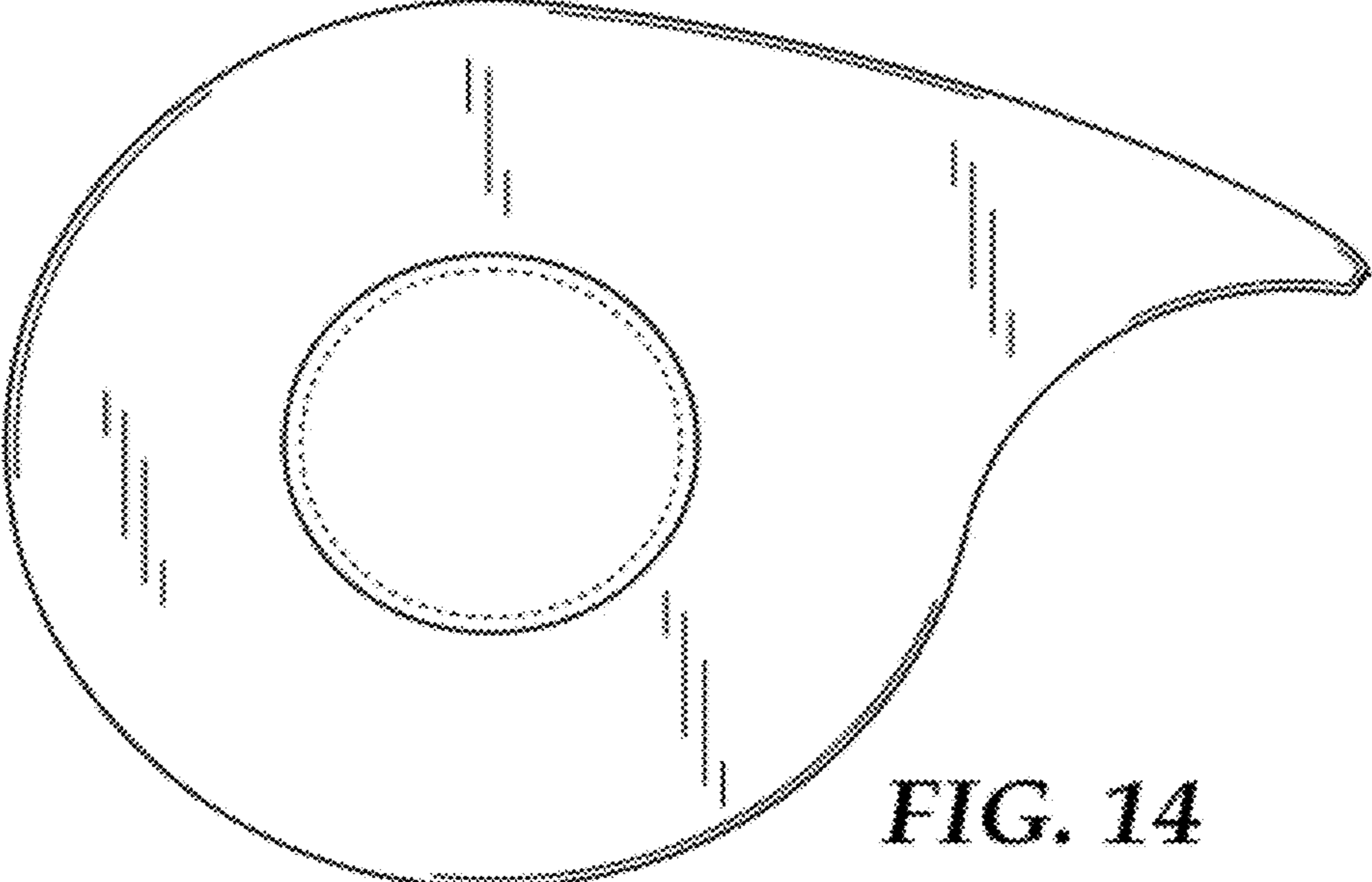


FIG. 14

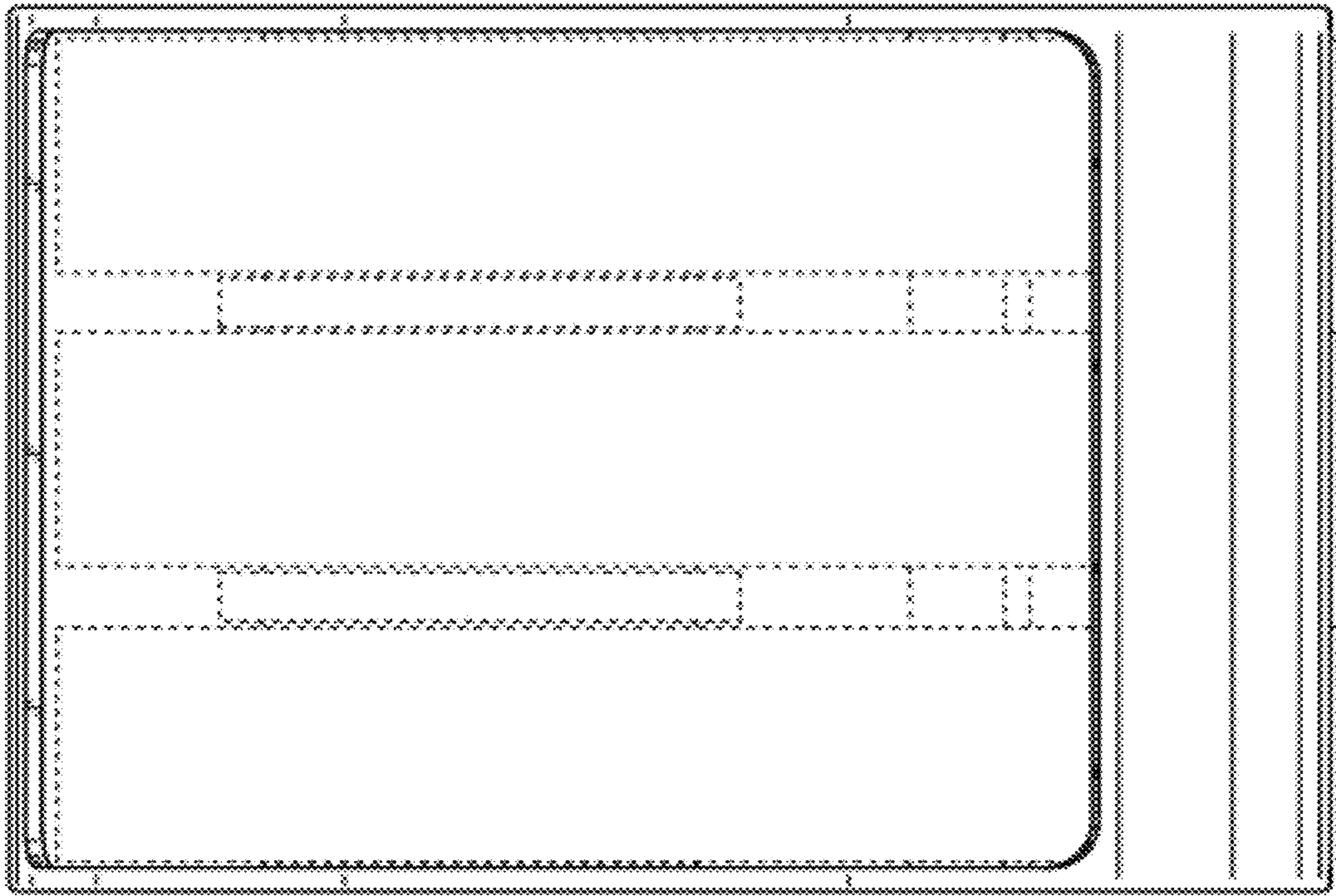


FIG. 15

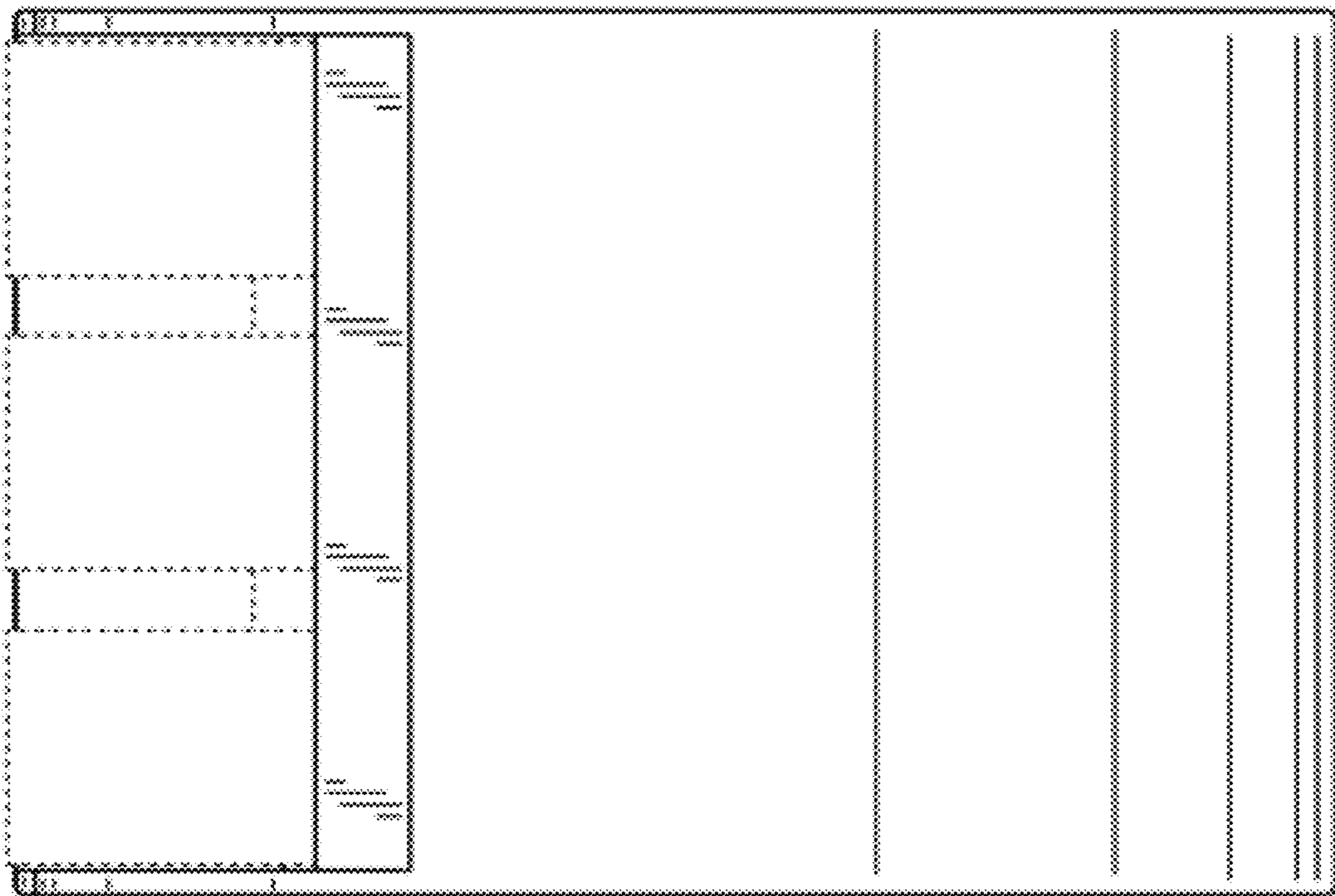


FIG. 16

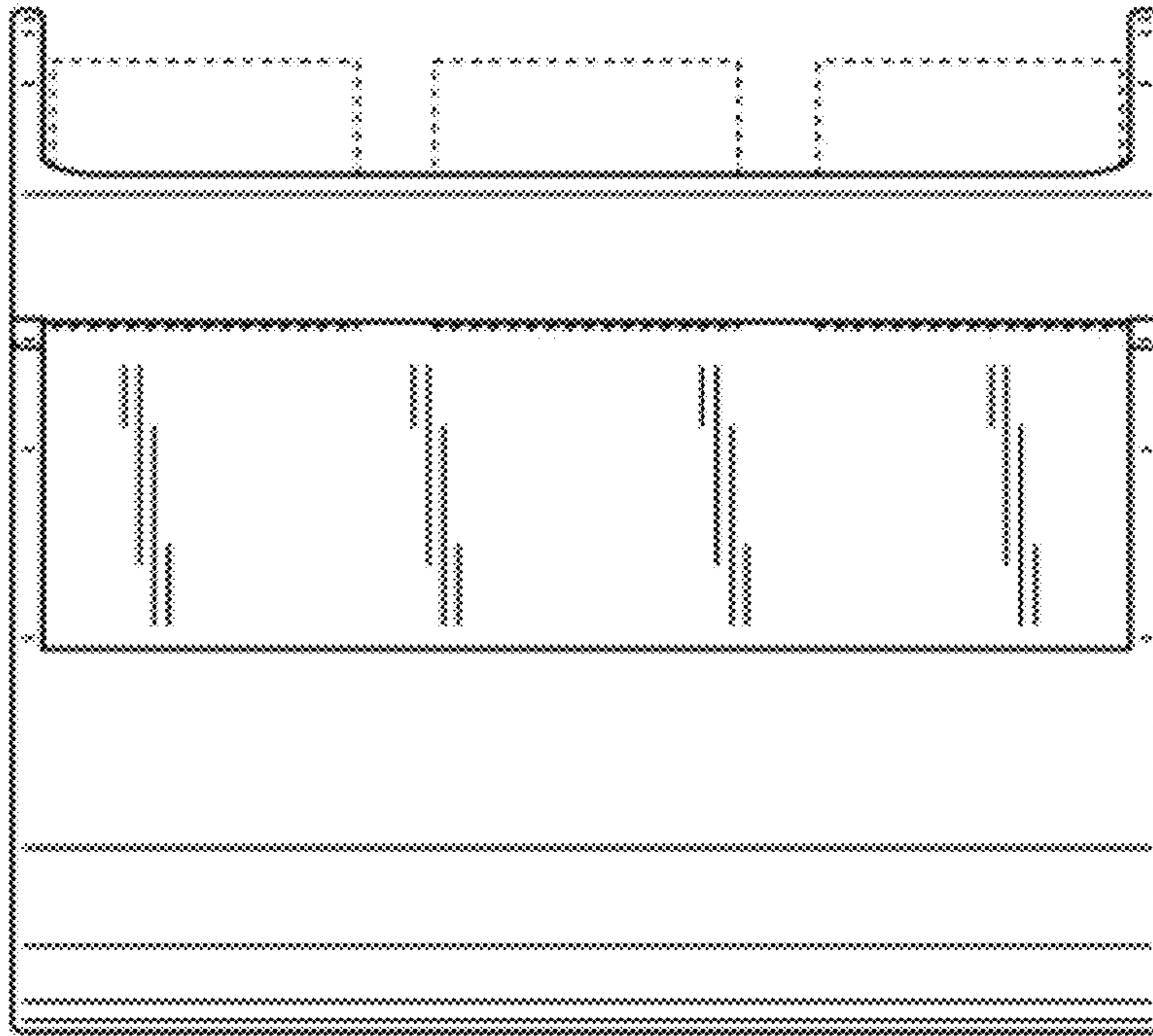


FIG. 17

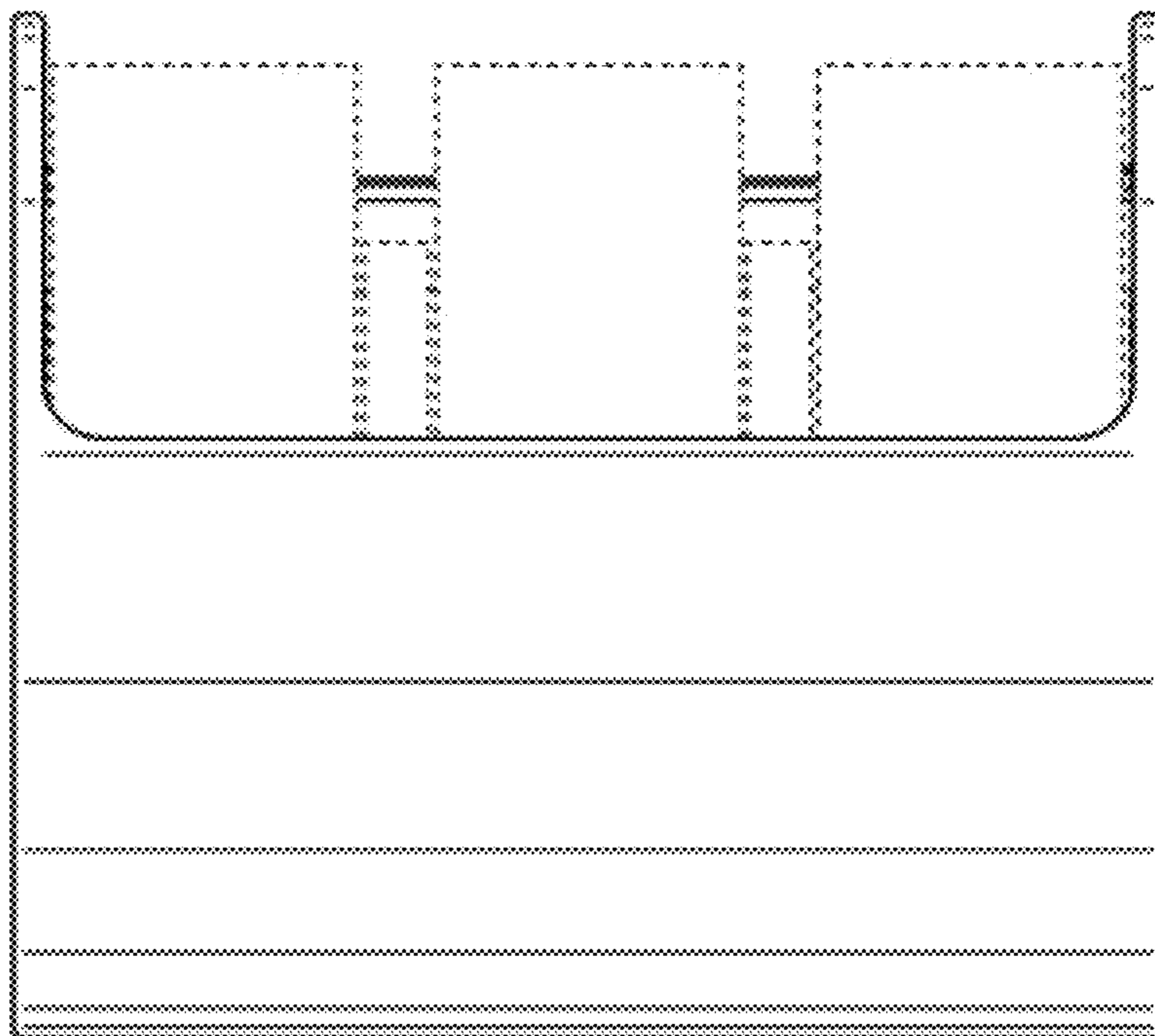


FIG. 18