



US00D657418S

(12) **United States Design Patent**
Henderson et al.

(10) **Patent No.:** **US D657,418 S**
(45) **Date of Patent:** **** Apr. 10, 2012**

(54) **BINDING ASSEMBLY**

(75) Inventors: **James Henderson**, Lower Wick (GB);
Kester Rudd, Worcester (GB); **Hugh Darcy**, Bromyard (GB)

(73) Assignee: **Fellowes, Inc.**, Itasca, IL (US)

(**) Term: **14 Years**

(21) Appl. No.: **29/383,198**

(22) Filed: **Jan. 13, 2011**

(51) **LOC (9) Cl.** **19-04**

(52) **U.S. Cl.** **D19/32**

(58) **Field of Classification Search** D19/26–33,
D19/65, 99; 281/27.1–27.3, 15.1; 402/19–20,
402/26, 31–32, 36–41, 60, 70, 76, 79, 80 R
See application file for complete search history.

(56) **References Cited**

U.S. PATENT DOCUMENTS

2,817,341	A *	12/1957	Schade	402/38
5,118,213	A *	6/1992	Meservy et al.	402/80 R
D389,183	S *	1/1998	Chan	D19/32
D392,997	S *	3/1998	Chan	D19/32
5,846,013	A *	12/1998	To	402/36
D405,113	S *	2/1999	Ko	D19/32
D408,851	S *	4/1999	To	D19/32
D409,240	S *	5/1999	Ko	D19/32
D426,571	S *	6/2000	To	D19/27
D430,898	S *	9/2000	To	D19/32
D433,445	S *	11/2000	To	D19/32
D434,071	S *	11/2000	To	D19/27
D436,993	S *	1/2001	Whaley	D19/32
D442,223	S *	5/2001	To	D19/32
D448,045	S *	9/2001	Ko	D19/27
D451,135	S *	11/2001	Whaley	D19/32
D451,954	S *	12/2001	Kaneda	D19/27
D457,559	S *	5/2002	To	D19/27
D459,392	S *	6/2002	Xu	D19/32
D460,109	S *	7/2002	To	D19/32
D461,497	S *	8/2002	To	D19/32
6,467,984	B1 *	10/2002	To	402/38

D473,897	S *	4/2003	To	D19/32
D479,267	S *	9/2003	Ko	D19/32
6,758,621	B2 *	7/2004	To	402/19
D561,826	S *	2/2008	Lynen et al.	D19/27
D582,477	S *	12/2008	To	D19/32
D585,935	S *	2/2009	To	D19/32
D591,344	S *	4/2009	Tanaka et al.	D19/32

(Continued)

Primary Examiner — T. Chase Nelson

Assistant Examiner — Kathleen M Sims

(74) *Attorney, Agent, or Firm* — Pillsbury Winthrop Shaw Pittman LLP

(57) **CLAIM**

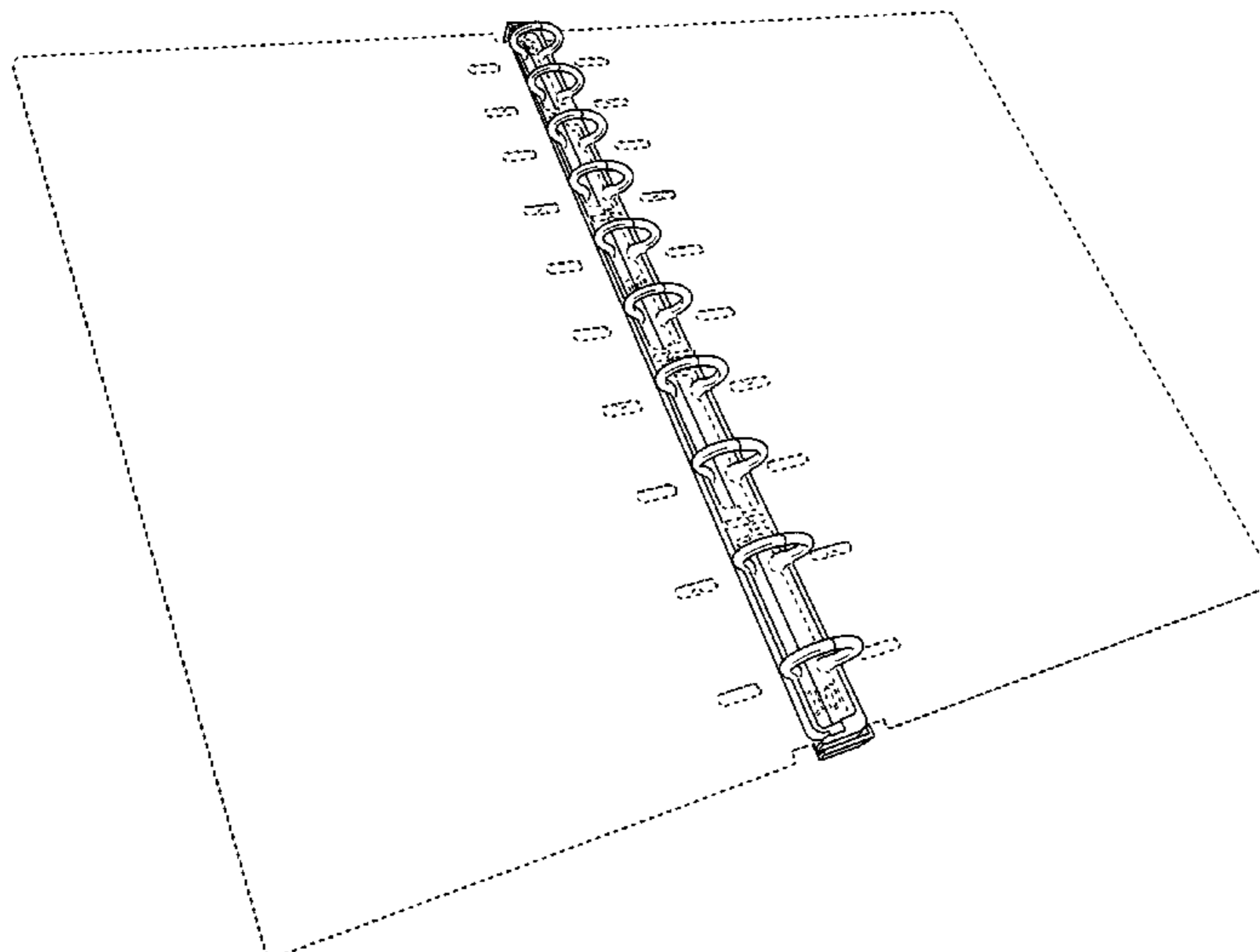
The ornamental design for a binding assembly, as shown and described.

DESCRIPTION

FIG. 1 is a perspective view of a binding assembly in an open configuration showing our new design;
 FIG. 2 is a front elevational view thereof;
 FIG. 3 is a left elevational view thereof, the right elevational view being a mirror image thereof with respect to a vertical plane;
 FIG. 4 is a bottom plan view thereof, a top plan view being a mirror image thereof with respect to a horizontal plane;
 FIG. 5 is a back elevational view thereof;
 FIG. 6 is a perspective view of the binding assembly in a closed configuration;
 FIG. 7 is a front elevational view thereof, a rear elevational view being a mirror image thereof with respect to a vertical plane;
 FIG. 8 is a bottom plan view thereof, a top plan view being a mirror image thereof with respect to a horizontal plane;
 FIG. 9 is a left elevational view thereof; and,
 FIG. 10 is a right elevational view thereof.

Where included, broken lines showing environment or structure are for illustrative purposes only and form no part of the claimed design.

1 Claim, 8 Drawing Sheets



US D657,418 S

Page 2

U.S. PATENT DOCUMENTS

D598,494 S *	8/2009	To	D19/32	D616,934 S *	6/2010	To	D19/32
7,637,682 B2 *	12/2009	To	402/38	D622,316 S *	8/2010	To	D19/32
7,674,062 B2 *	3/2010	Horn	402/31	2001/0026726 A1 *	10/2001	To	402/41
D616,023 S *	5/2010	To	D19/32	2004/0013463 A1 *	1/2004	To	402/26

* cited by examiner

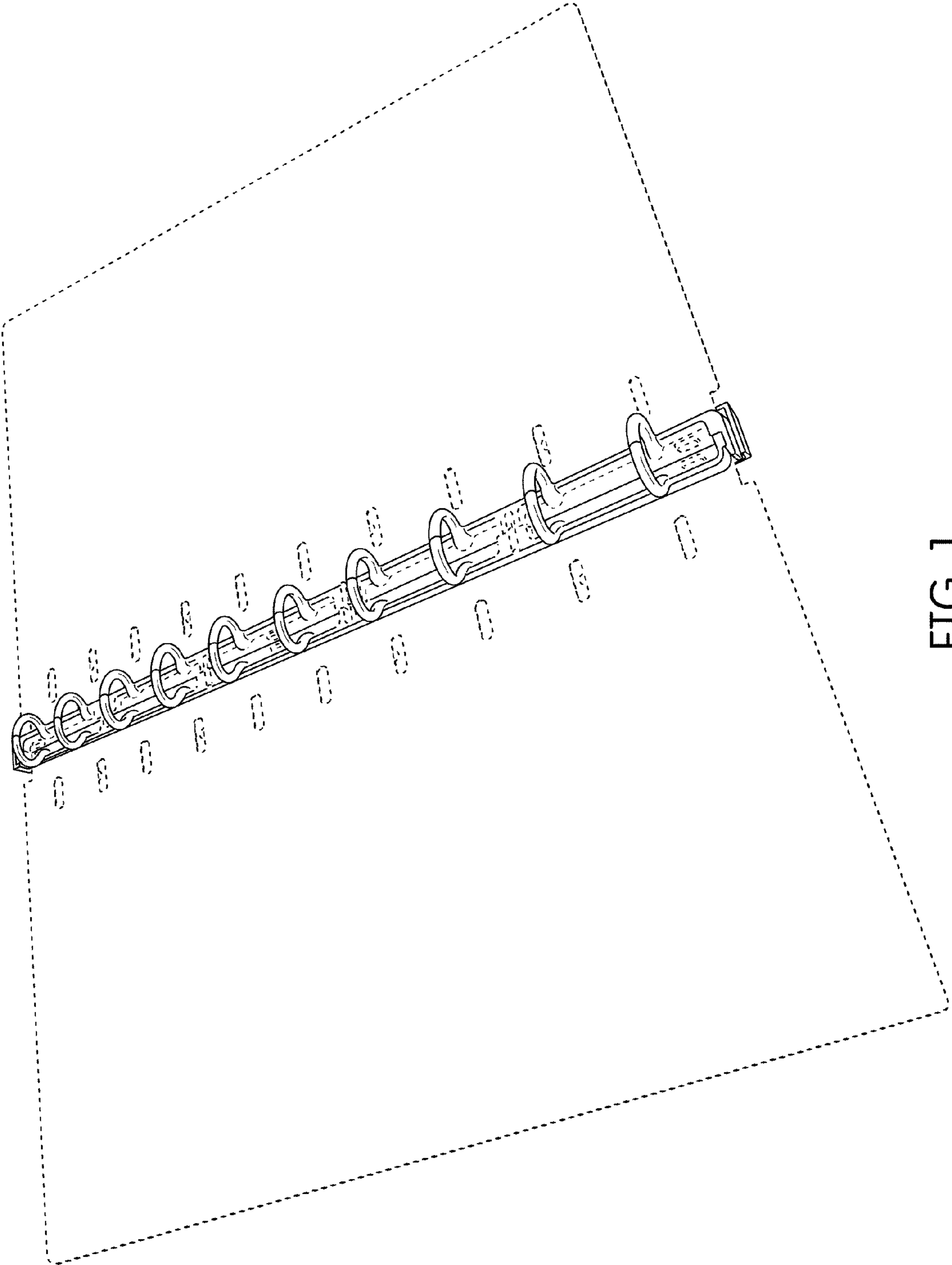


FIG. 1

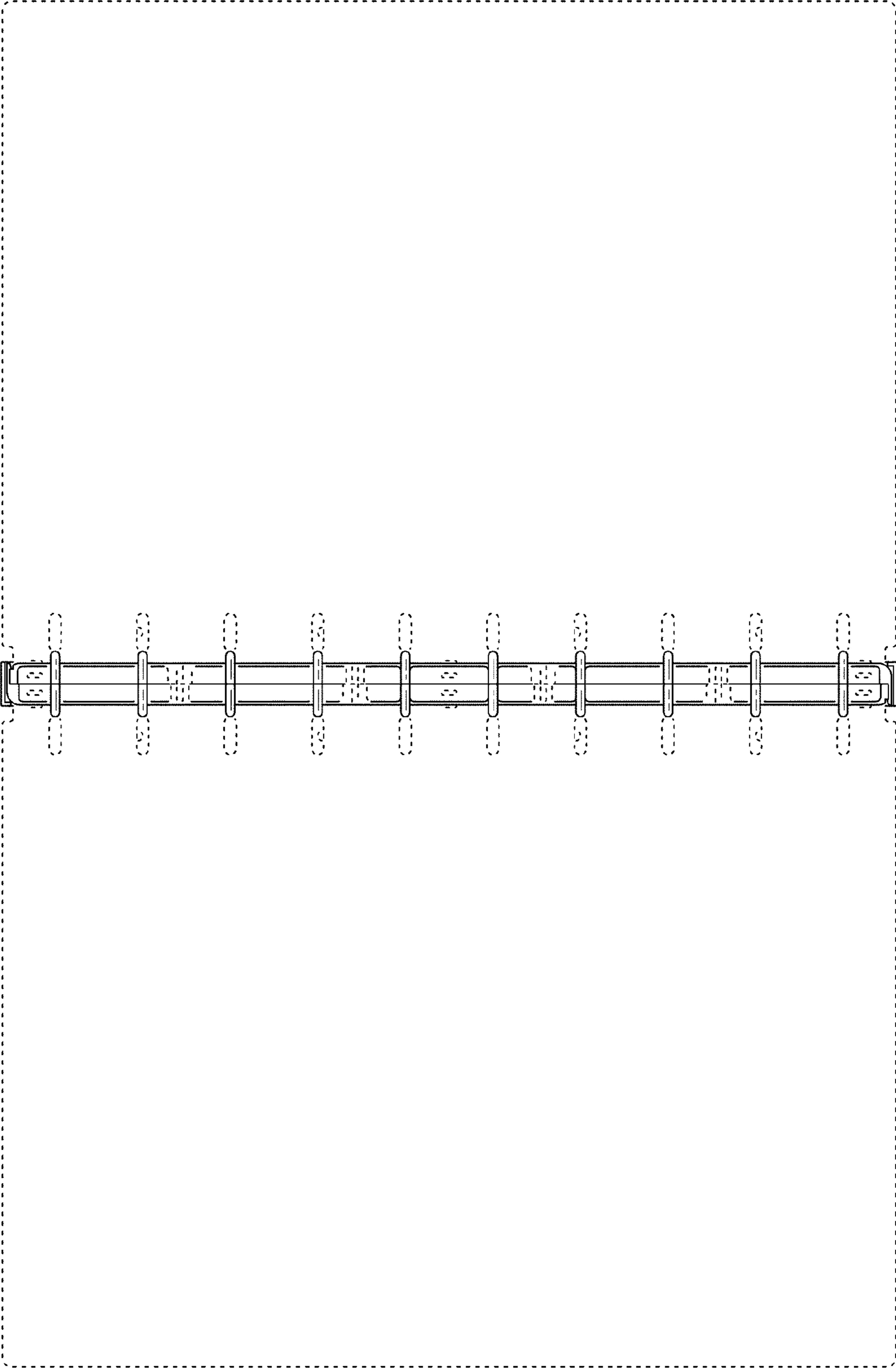


FIG. 2

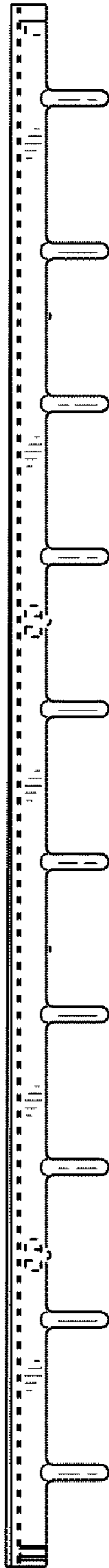


FIG. 3

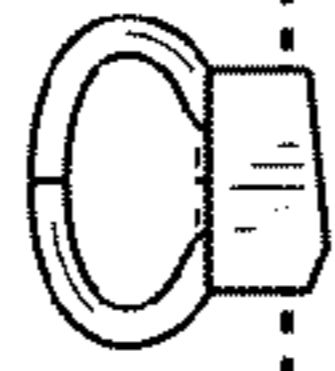


FIG. 4

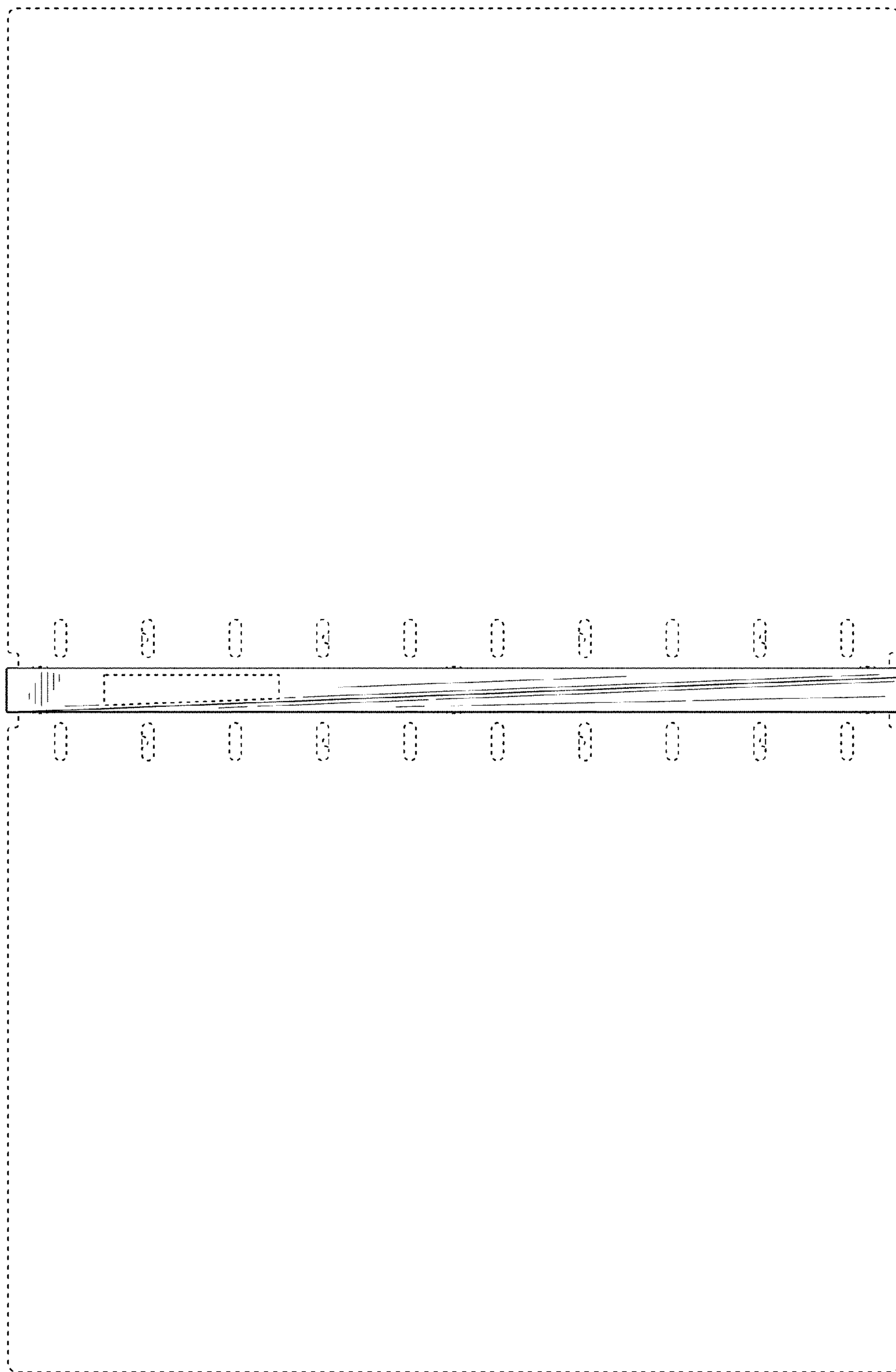


FIG. 5

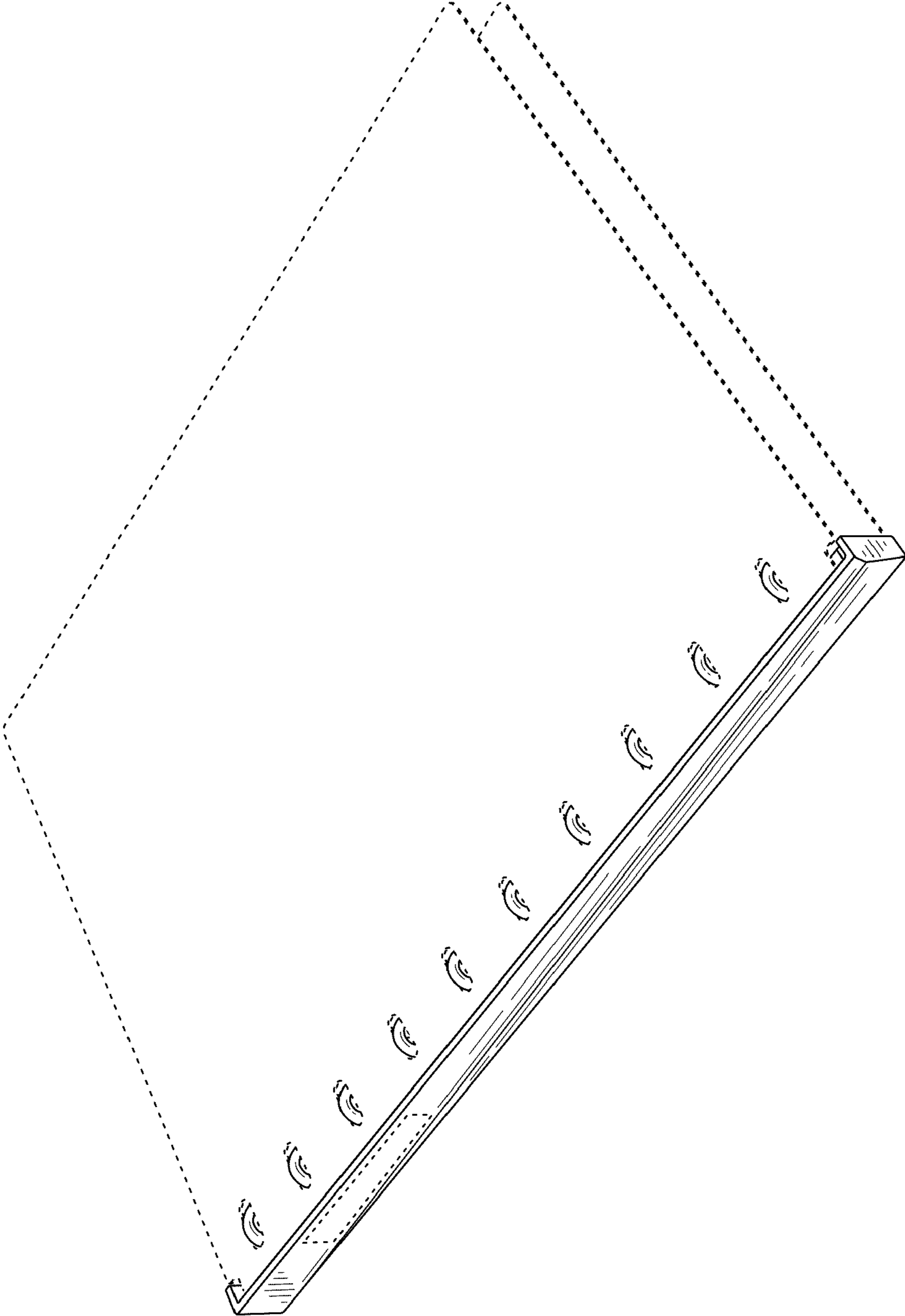


FIG. 6

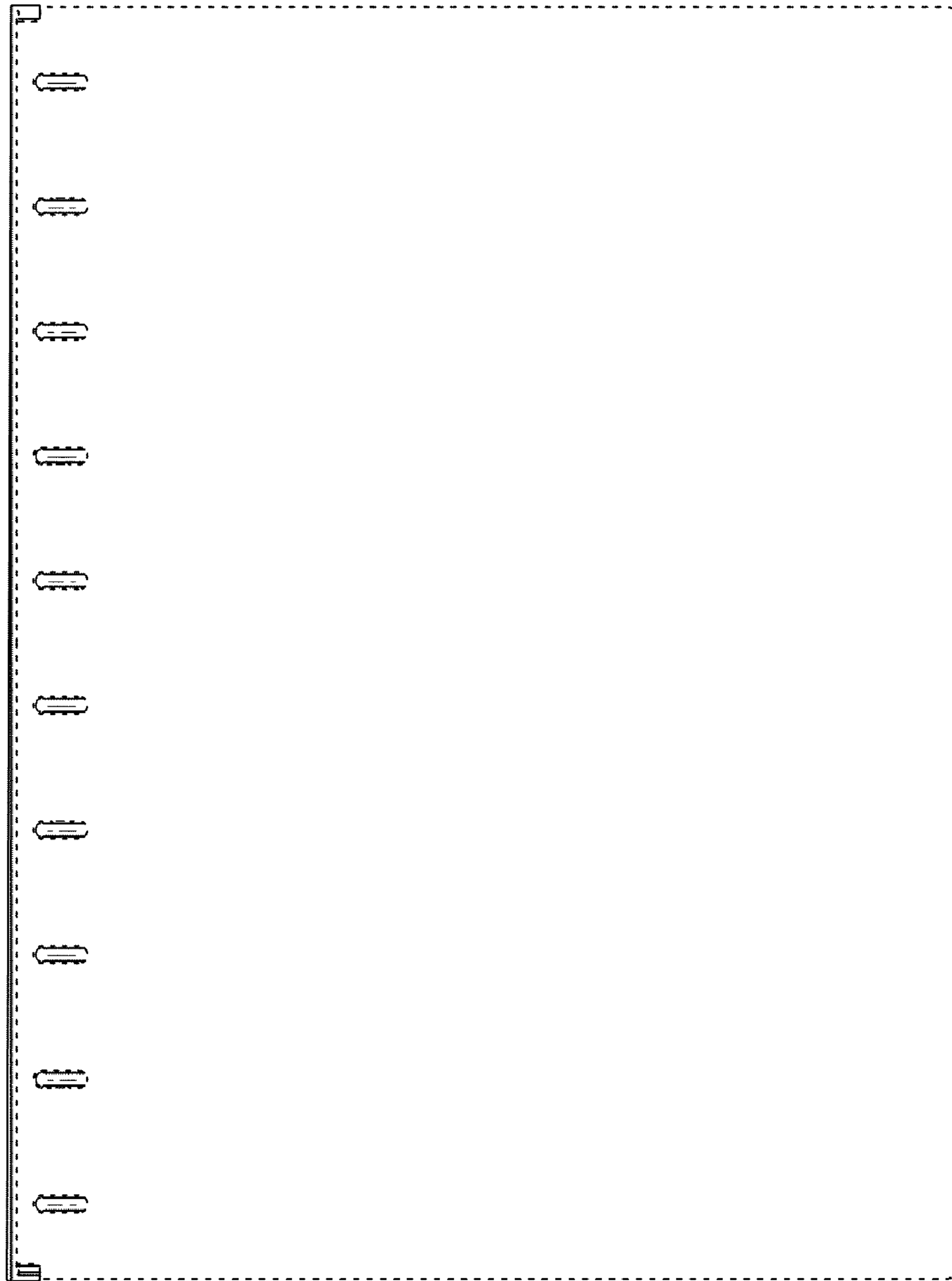


FIG. 7

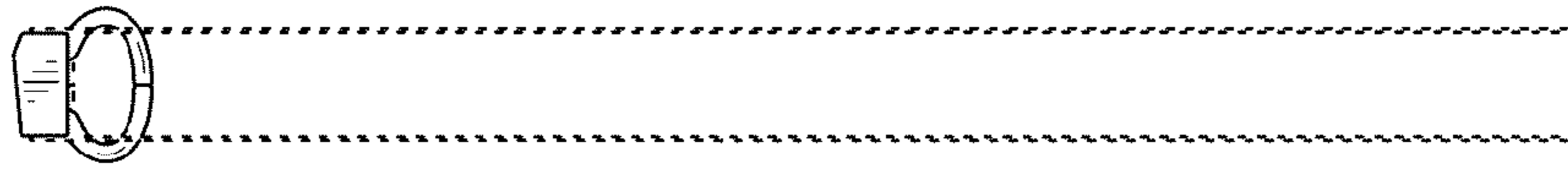


FIG. 8

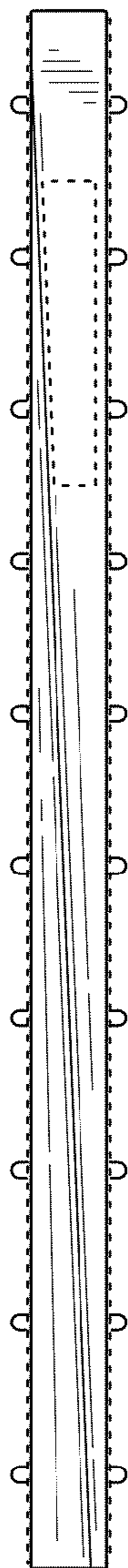


FIG. 9

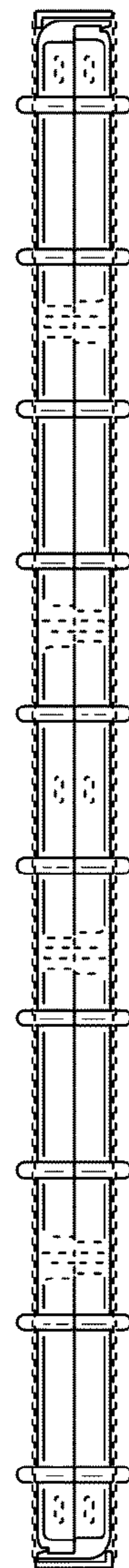


FIG. 10