



US00D657416S

(12) **United States Design Patent**
Jordan

(10) **Patent No.:** **US D657,416 S**
(45) **Date of Patent:** **** Apr. 10, 2012**

- (54) **OPTICAL DISK MAILER**
- (76) Inventor: **Uvalda Lynn Jordan**, Miami, FL (US)
- (**) Term: **14 Years**
- (21) Appl. No.: **29/399,841**
- (22) Filed: **Aug. 19, 2011**
- (51) **LOC (9) Cl.** **19-01**
- (52) **U.S. Cl.** **D19/3**
- (58) **Field of Classification Search** D19/1-8,
D19/75, 86, 100; 229/67.4, 928, 307, 92,
229/92.1, 92.8, 67.3, 68.1, 76, 309, 67.1;
206/449, 424, 308.1, 308.3, 309, 313; 462/64-65;
D20/27, 22, 40; 40/672, 124.01-124.15;
283/74, 75, 103, 105-106, 116-117; D9/433
See application file for complete search history.

(56) **References Cited**

U.S. PATENT DOCUMENTS

D316,181 S *	4/1991	Clifton	D6/634
D363,083 S *	10/1995	Thompson et al.	D19/3
D428,297 S *	7/2000	Drew et al.	D6/626
D490,636 S *	6/2004	Bergh et al.	D6/626
D491,407 S *	6/2004	Martinetti	D6/626
D510,383 S *	10/2005	Potter et al.	D19/3
D536,375 S *	2/2007	Potter et al.	D19/3
D545,360 S *	6/2007	Schluger	D19/3

D580,973 S *	11/2008	Turner et al.	D19/1
D582,978 S *	12/2008	Fu	D19/26
D591,341 S *	4/2009	Fagan	D19/3
D621,872 S *	8/2010	Jordan	D19/3

* cited by examiner

Primary Examiner — Caron D Veynar
Assistant Examiner — Abraham Bahta
(74) *Attorney, Agent, or Firm* — Albert Bordas, P.A.

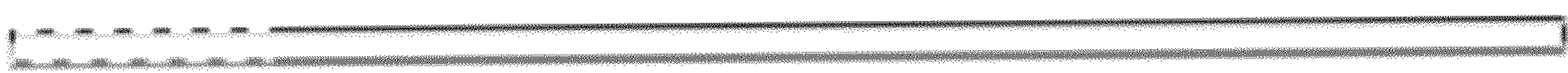
(57) **CLAIM**

The ornamental design for an optical disk mailer, as shown and described.

DESCRIPTION

FIG. 1 is a top view of an optical disk mailer, the bottom view being a mirror image thereof;
FIG. 2 is a front elevational view thereof;
FIG. 3 is a rear elevational view thereof;
FIG. 4 is a right view thereof, the left view being a mirror image thereof;
FIG. 5 is a front isometric view thereof; and,
FIG. 6 is a rear isometric view thereof.
The dotted lines represent perforations for easy opening.
The broken lines are for environmental purposes only and form no part of the claimed design.

1 Claim, 2 Drawing Sheets



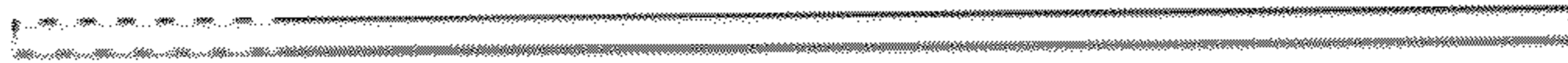


Fig. 1

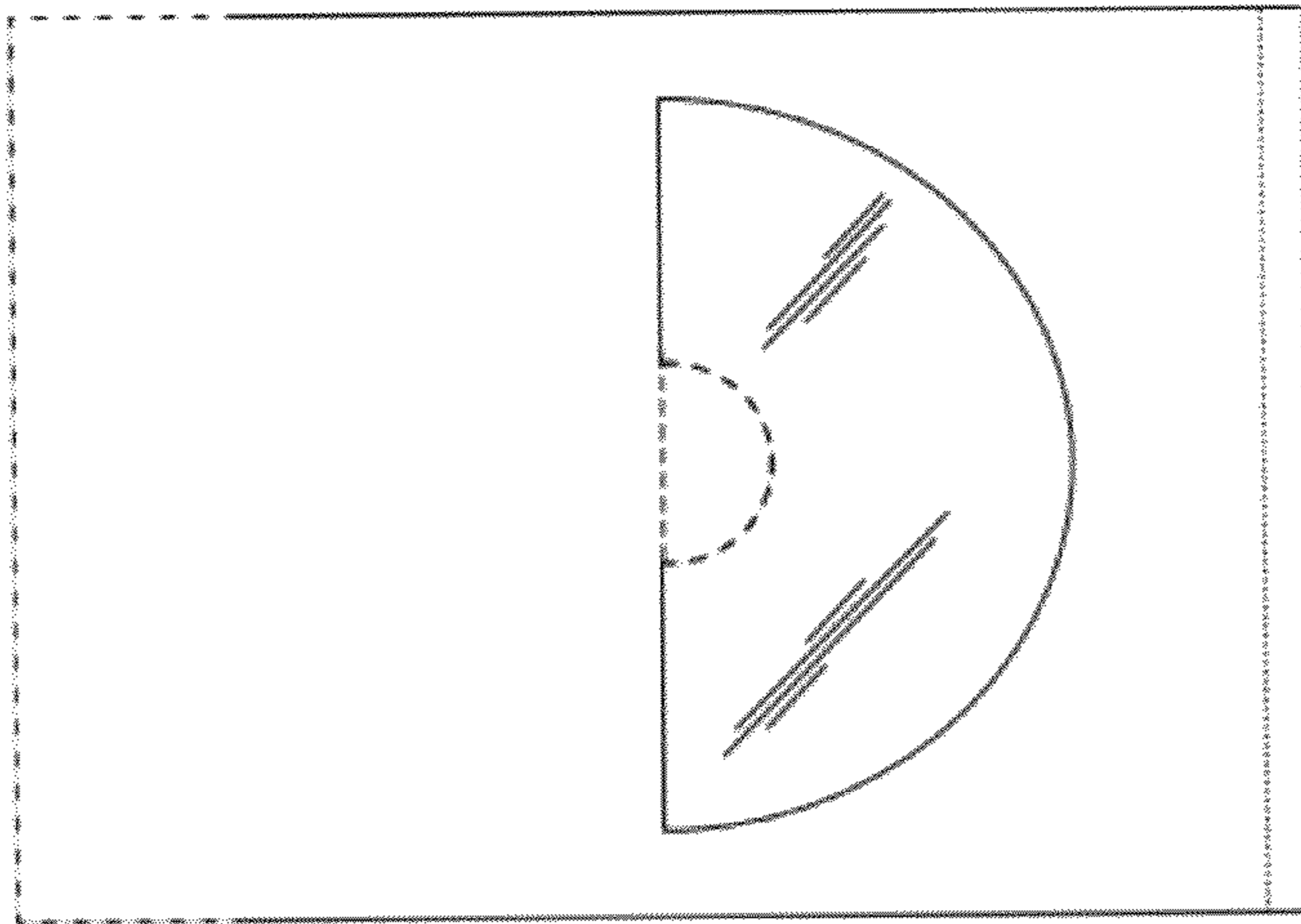


Fig. 2

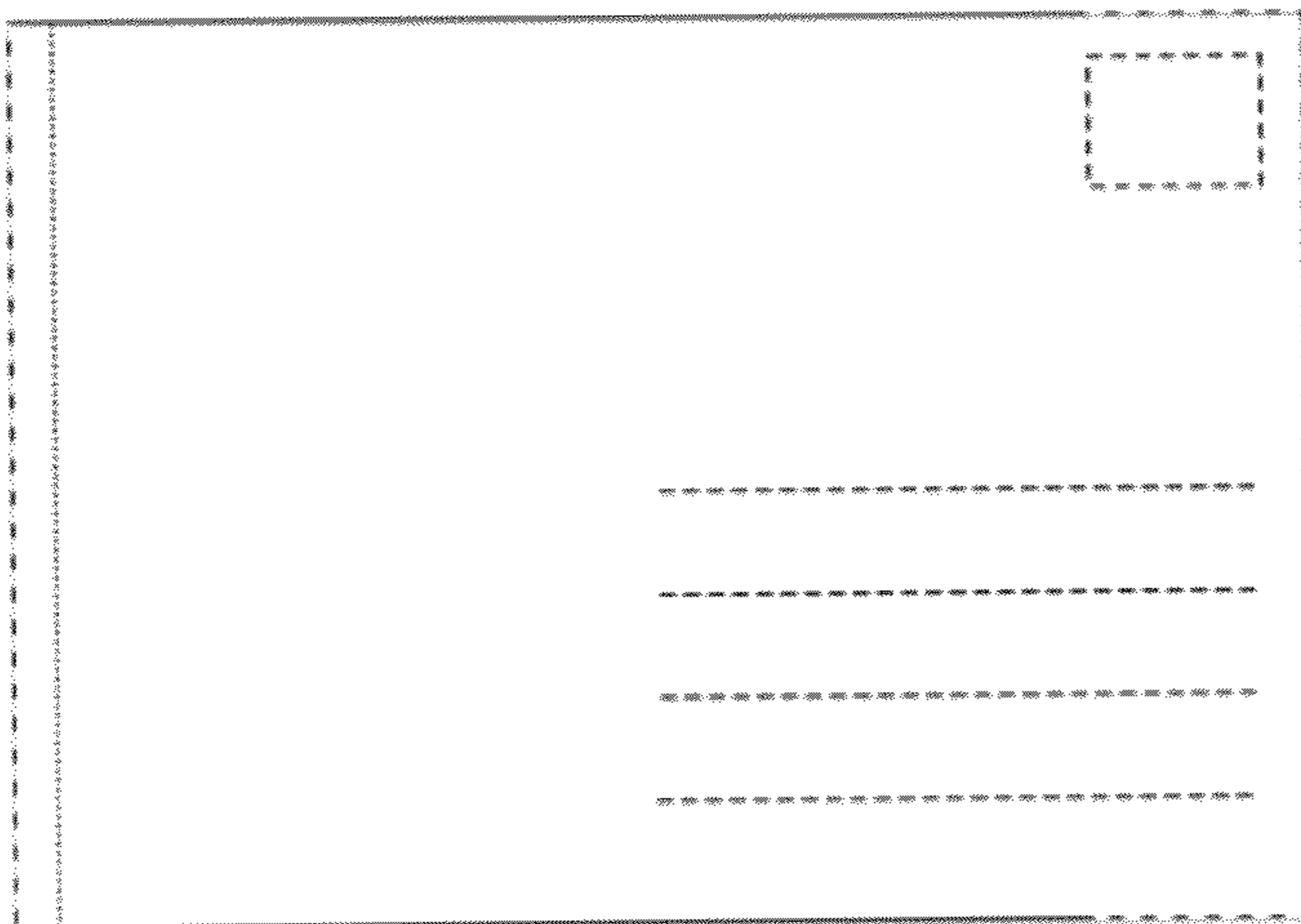


Fig. 3



Fig. 4

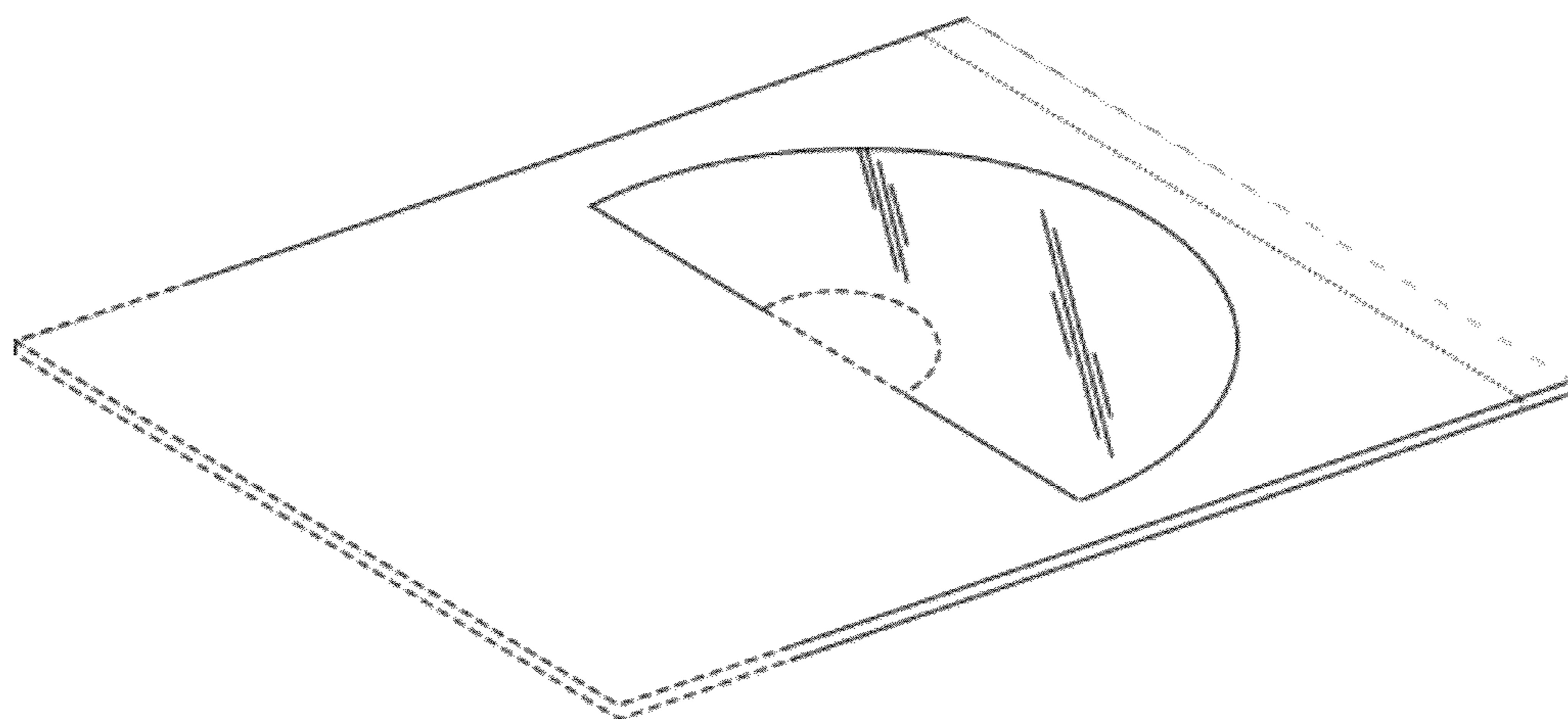


Fig. 5

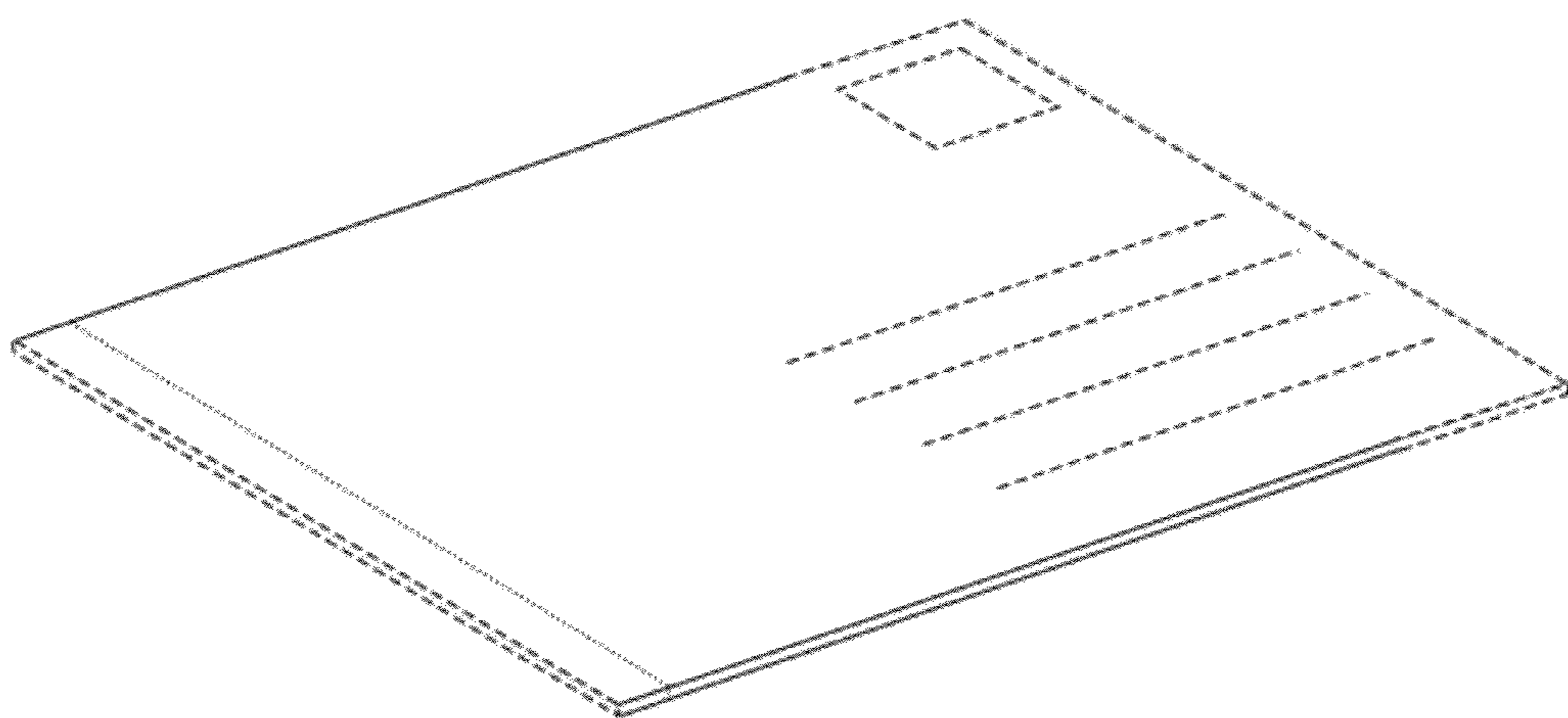


Fig. 6