



US00D657415S

(12) **United States Design Patent**
Taylor et al.

(10) **Patent No.:** **US D657,415 S**
(45) **Date of Patent:** **** Apr. 10, 2012**

(54) **THREE DIMENSIONAL GREETING CARD**

(75) Inventors: **Anastasia Taylor**, San Diego, CA (US);
Bin Chen, North Royalton, OH (US);
Allison Marsh, Ravenna, OH (US);
Johnathan Talbot, Bay Village, OH
(US); **Tiger Qiao**, Shanghai (CN); **Jerry**
Guo, Shanghai (CN); **Eva Jin**, Shanghai
(CN); **Dave Sapp**, North Ridgeville, OH
(US); **Seth Larson**, Lakewood, OH (US)

(73) Assignee: **American Greetings Corporation**,
Cleveland, OH (US)

(**) Term: **14 Years**

(21) Appl. No.: **29/408,445**

(22) Filed: **Dec. 13, 2011**
(Under 37 CFR 1.47)

Related U.S. Application Data

(62) Division of application No. 29/368,778, filed on Aug.
30, 2010, now Pat. No. Des. 653,287.

(51) **LOC (9) Cl.** **19-01**

(52) **U.S. Cl.** **D19/2**

(58) **Field of Classification Search** D19/1-8,
D19/82, 100, 26, 32; D9/430-433, 414,
D9/415, 420, 423; 229/120.21, 92.8, 92,
229/92.1, 300-303, 117.01, 116.1, 132; 428/68,
428/542.6; 220/4.23; D3/218; D20/40;
283/2-4, 117; 206/45.28, 45.23, 45.25, 767,
206/232, 387.1, 424, 308.3; 446/147;
40/124.01-124.15, 455, 672

See application file for complete search history.

(56) **References Cited**

U.S. PATENT DOCUMENTS

4,885,859	A	*	12/1989	Gasser	40/539
D319,843	S	*	9/1991	Thornell	D19/2
D343,195	S	*	1/1994	Socolof	D19/1
D383,490	S	*	9/1997	Gurrieri	D19/2
D425,791	S	*	5/2000	Brozzi	D9/432
D432,570	S	*	10/2000	Donaldson	D19/2
6,386,370	B1	*	5/2002	Wigton et al.	206/763
D483,407	S	*	12/2003	Ramnarine	D19/2
D497,178	S	*	10/2004	Weir	D19/2
D508,260	S	*	8/2005	Toth	D19/2

* cited by examiner

Primary Examiner — Caron D Veynar

Assistant Examiner — Abraham Bahta

(74) *Attorney, Agent, or Firm* — Roetzel & Andress

(57) **CLAIM**

The ornamental design for a three dimensional greeting card,
as shown and described.

DESCRIPTION

FIG. 1 is a perspective view of the three dimensional greeting
card, in an open position.

FIG. 2 is a top view of the three dimensional greeting card of
FIG. 1, which is a mirror image of the bottom view thereof.

FIG. 3 is a front view of the three dimensional greeting card
of FIG. 1.

FIG. 4 is a rear view of the three dimensional greeting card of
FIG. 1.

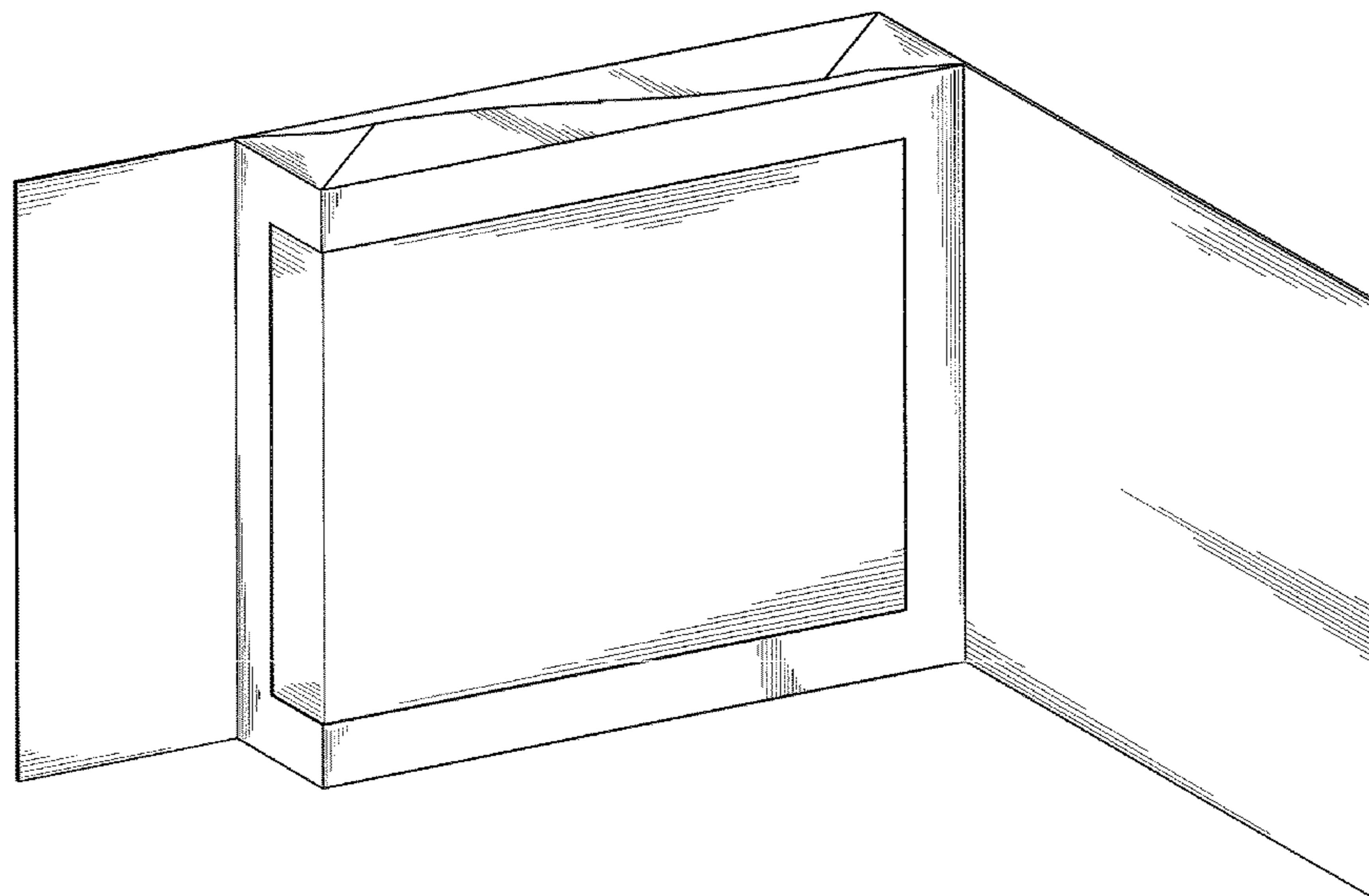
FIG. 5 is a left side view of the three dimensional greeting
card of FIG. 1.

FIG. 6 is a right side view of the three dimensional greeting
card of FIG. 1.

FIG. 7 is a perspective view of the three dimensional greeting
card of FIG. 1, in a closed position; and,

FIG. 8 is a top view of the three dimensional greeting card of
FIG. 7, which is identical to the bottom view thereof.

1 Claim, 5 Drawing Sheets



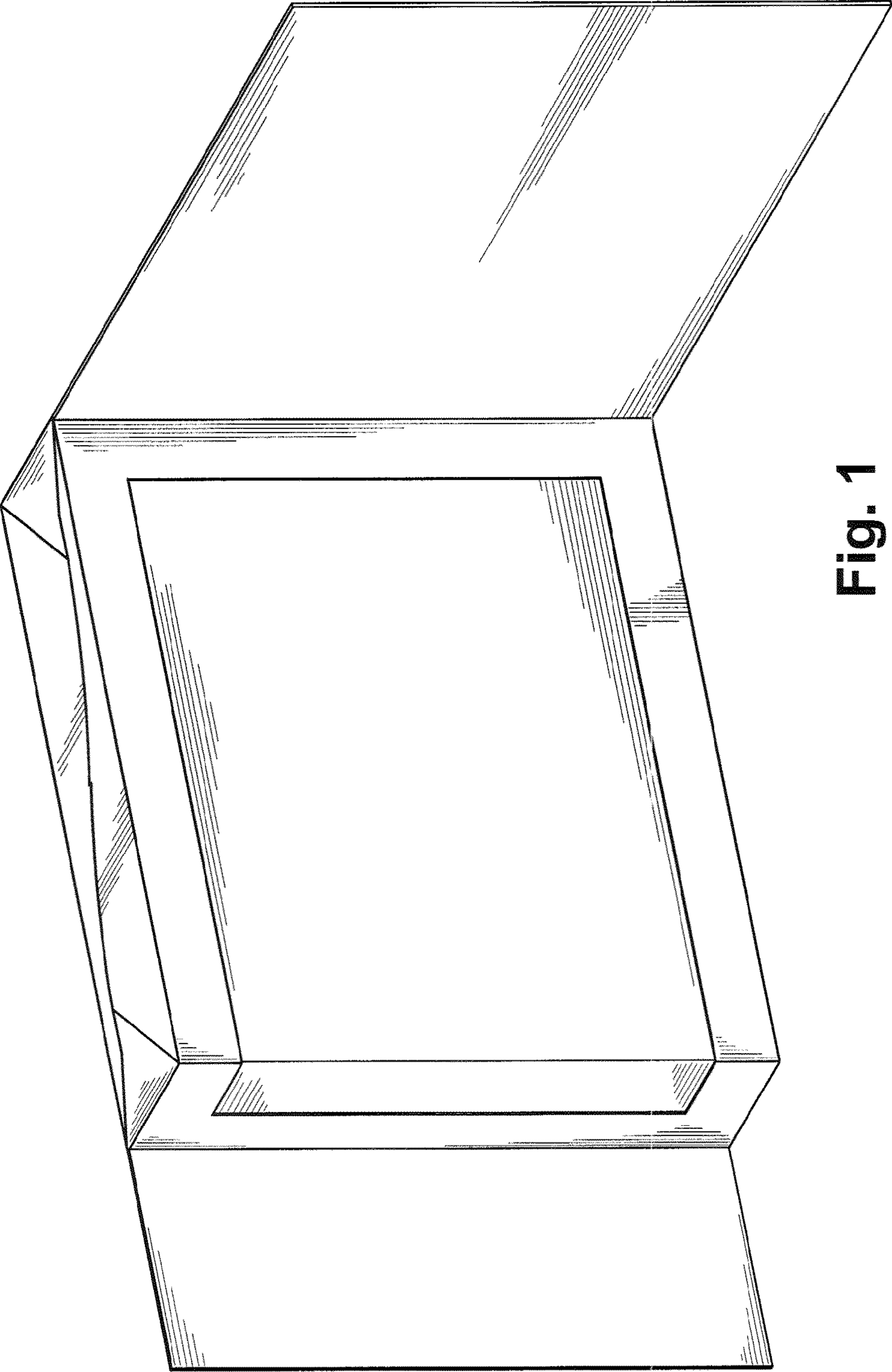


Fig. 1

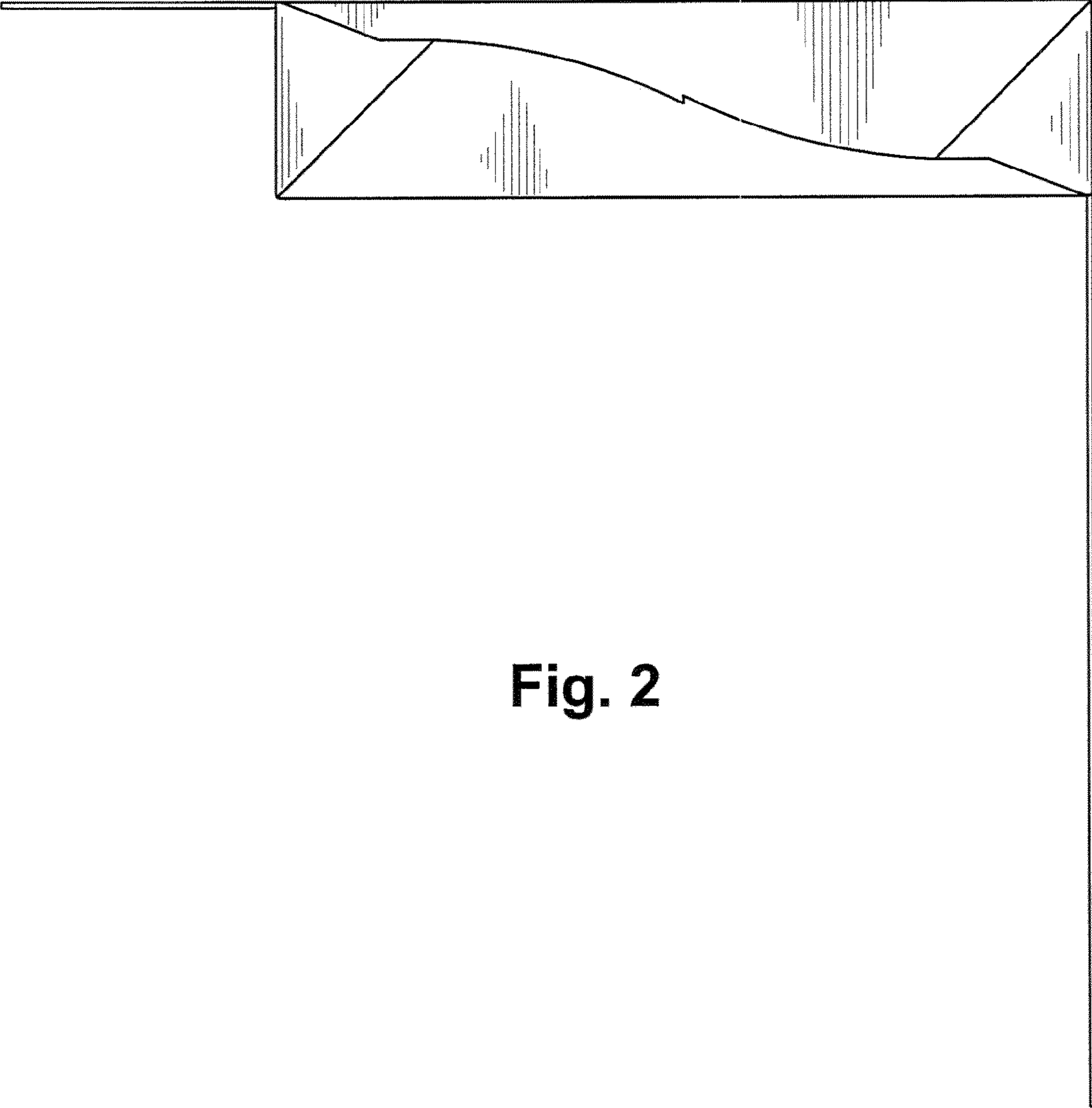


Fig. 2

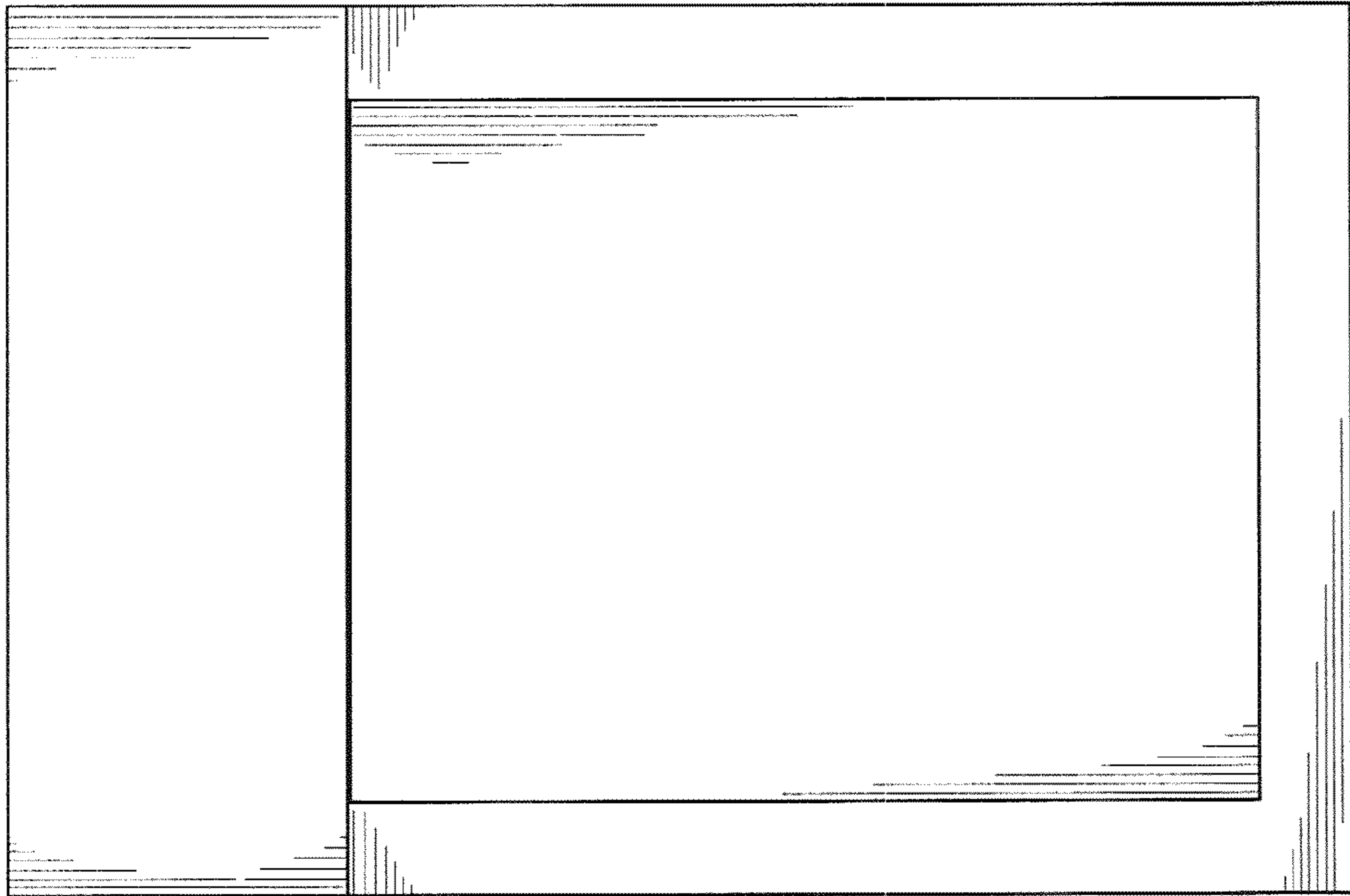


Fig. 3

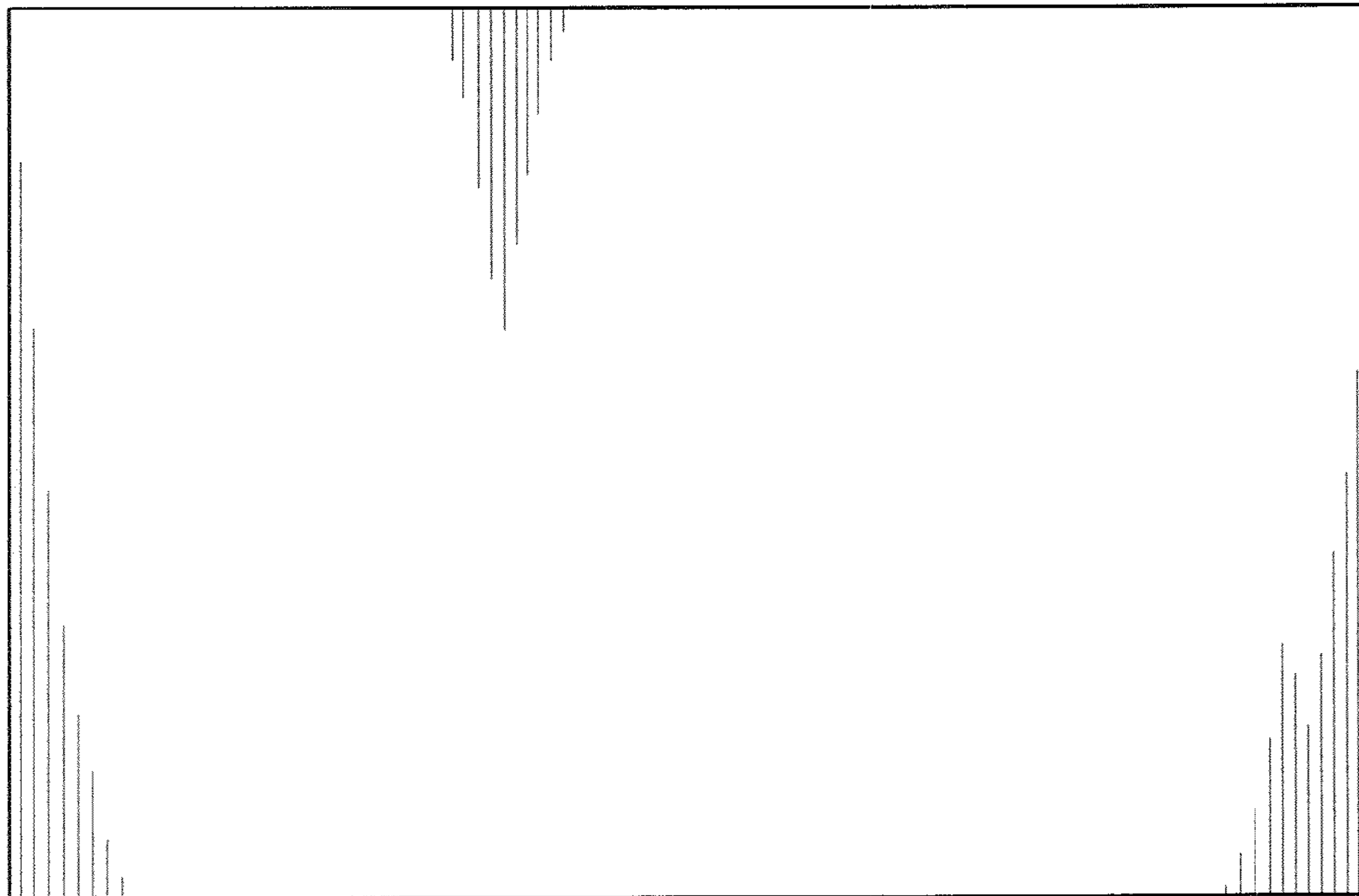


Fig. 4

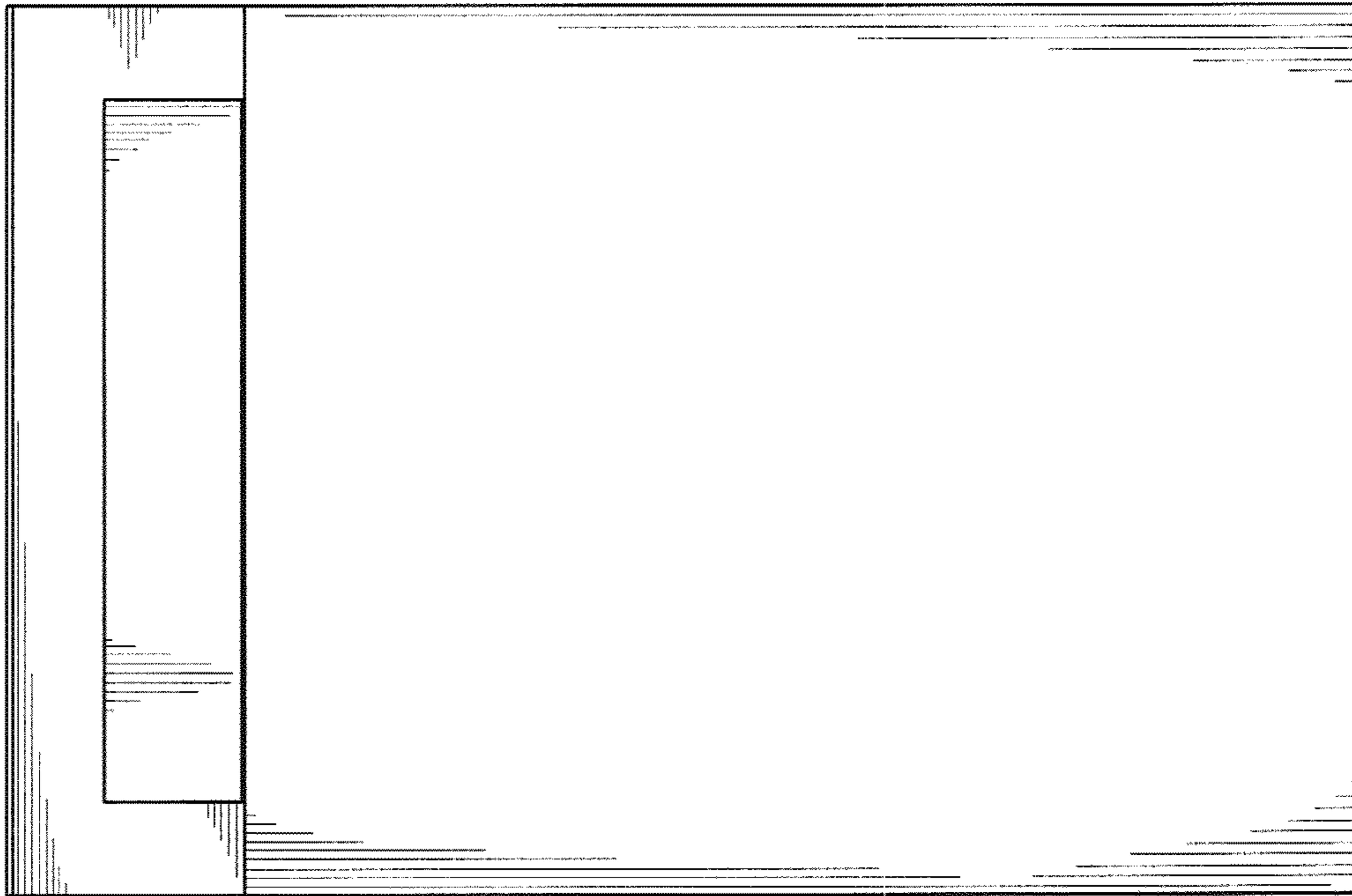


Fig. 5

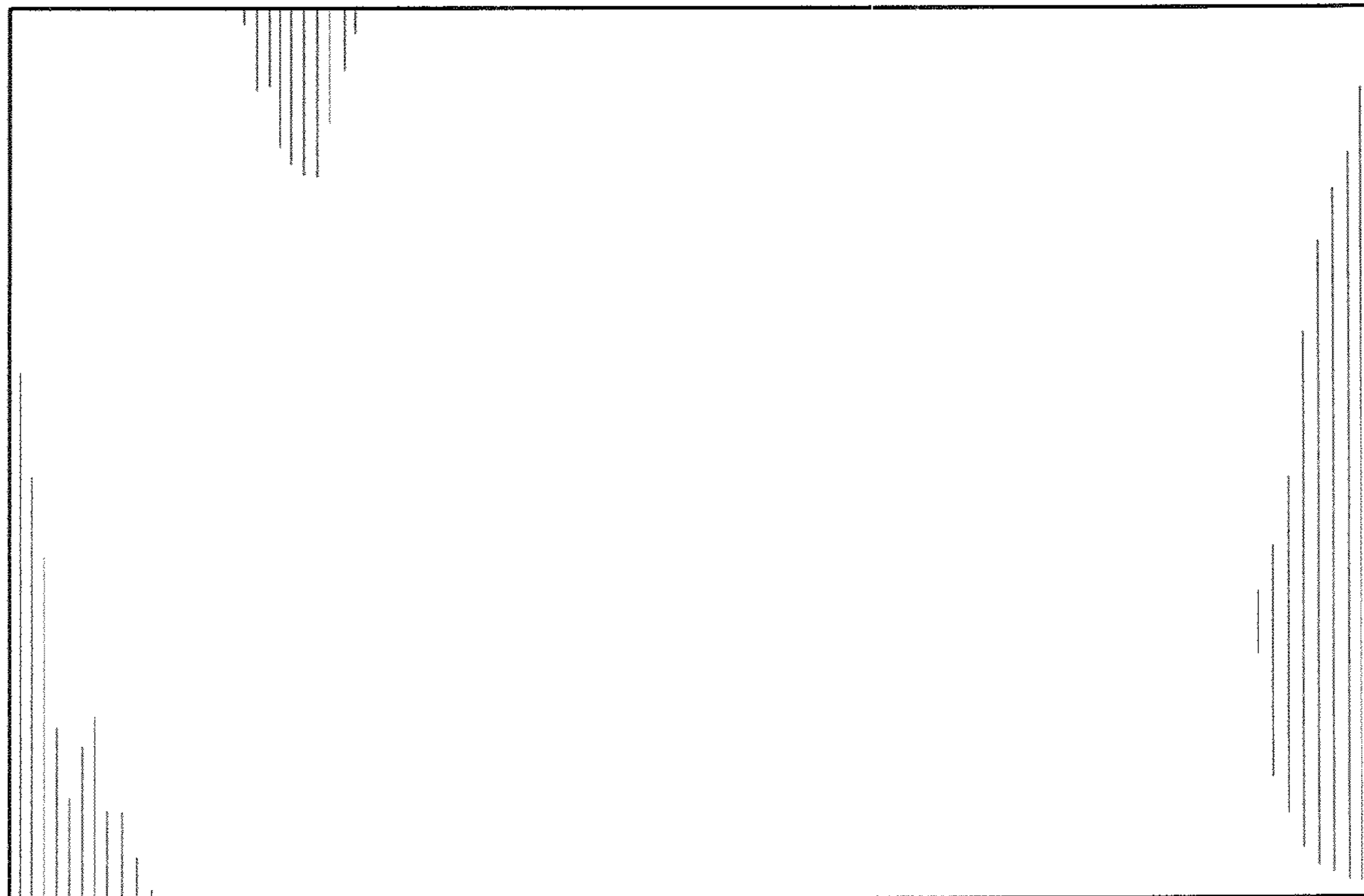


Fig. 6

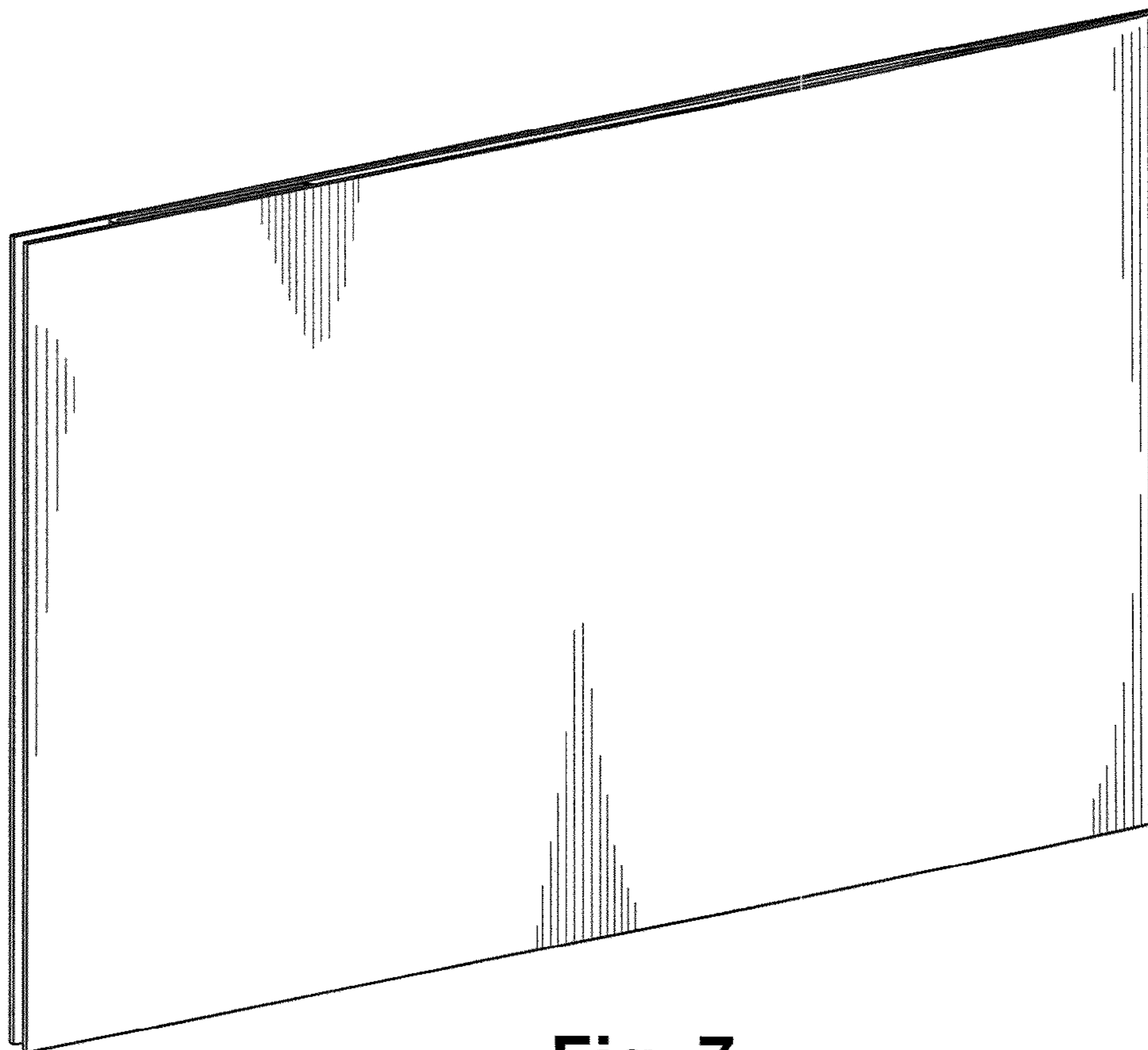


Fig. 7



Fig. 8