



US00D657413S

(12) **United States Design Patent**
Hashimoto et al.

(10) **Patent No.:** **US D657,413 S**
(45) **Date of Patent:** **** Apr. 10, 2012**

(54) **IMAGE FORMING APPARATUS WITH
TONER CARTRIDGE**

(75) Inventors: **Takeshi Hashimoto**, Okazaki (JP);
Yasuaki Tomoda, Toyohashi (JP);
Masashi Kawai, Toyohashi (JP)

(73) Assignee: **Konica Minolta Business Technologies,
Inc.**, Chiyoda-Ku, Tokyo (JP)

(**) Term: **14 Years**

(21) Appl. No.: **29/397,373**

(22) Filed: **Jul. 14, 2011**

Related U.S. Application Data

(62) Division of application No. 29/365,483, filed on Jul. 9,
2010, now Pat. No. Des. 646,712.

(30) **Foreign Application Priority Data**

Jan. 20, 2010 (JP) 2010-001220
Jan. 20, 2010 (JP) 2010-001221

(51) **LOC (9) Cl.** **16-03**

(52) **U.S. Cl.** **D18/43**

(58) **Field of Classification Search** D14/471;
D18/12, 36, 40, 43, 44, 56; 222/DIG. 1;
347/197, 222; 399/24-28, 107-112, 119,
399/121, 122, 222-224

See application file for complete search history.

(56) **References Cited**

U.S. PATENT DOCUMENTS

D448,042 S * 9/2001 Hale et al. D18/43
D468,763 S * 1/2003 Kunihiro et al. D18/40
D529,947 S * 10/2006 Nakajima et al. D18/43
D529,948 S * 10/2006 Jimba et al. D18/43

D530,359 S * 10/2006 Isomura et al. D18/43
D530,360 S * 10/2006 Isomura et al. D18/43
D553,183 S 10/2007 Hashimoto et al.
D567,282 S * 4/2008 Yamamoto et al. D18/43
D569,900 S * 5/2008 Yamamoto et al. D18/43
D581,974 S 12/2008 Mekada et al.
D599,846 S * 9/2009 Yasui et al. D18/43
D599,847 S * 9/2009 Yasui et al. D18/43
7,593,653 B2 * 9/2009 Richey et al. 399/27
2007/0196136 A1 * 8/2007 Yamamoto et al. 399/258
2009/0074465 A1 * 3/2009 Tanaka 399/223

OTHER PUBLICATIONS

Color Photographs of Existing Toner Cartridge Model No. 4053.

* cited by examiner

Primary Examiner — Garth Rademaker

(74) *Attorney, Agent, or Firm* — Buchanan Ingersoll &
Rooney PC

(57) **CLAIM**

The ornamental design for an image forming apparatus with
toner cartridge, as shown.

DESCRIPTION

FIG. 1 is a front view of an image forming apparatus with
toner cartridge showing our new design;
FIG. 2 is a rear view thereof;
FIG. 3 is a top plan view thereof;
FIG. 4 is a bottom plan view thereof;
FIG. 5 is a right side view thereof;
FIG. 6 is a left side view thereof;
FIG. 7 is a front, top, left side perspective view thereof;
FIG. 8 is a rear, top, right side perspective view thereof;
FIG. 9 is a front, bottom, right side perspective view thereof;
and,
FIG. 10 is a rear, bottom, left side perspective view thereof.

1 Claim, 6 Drawing Sheets

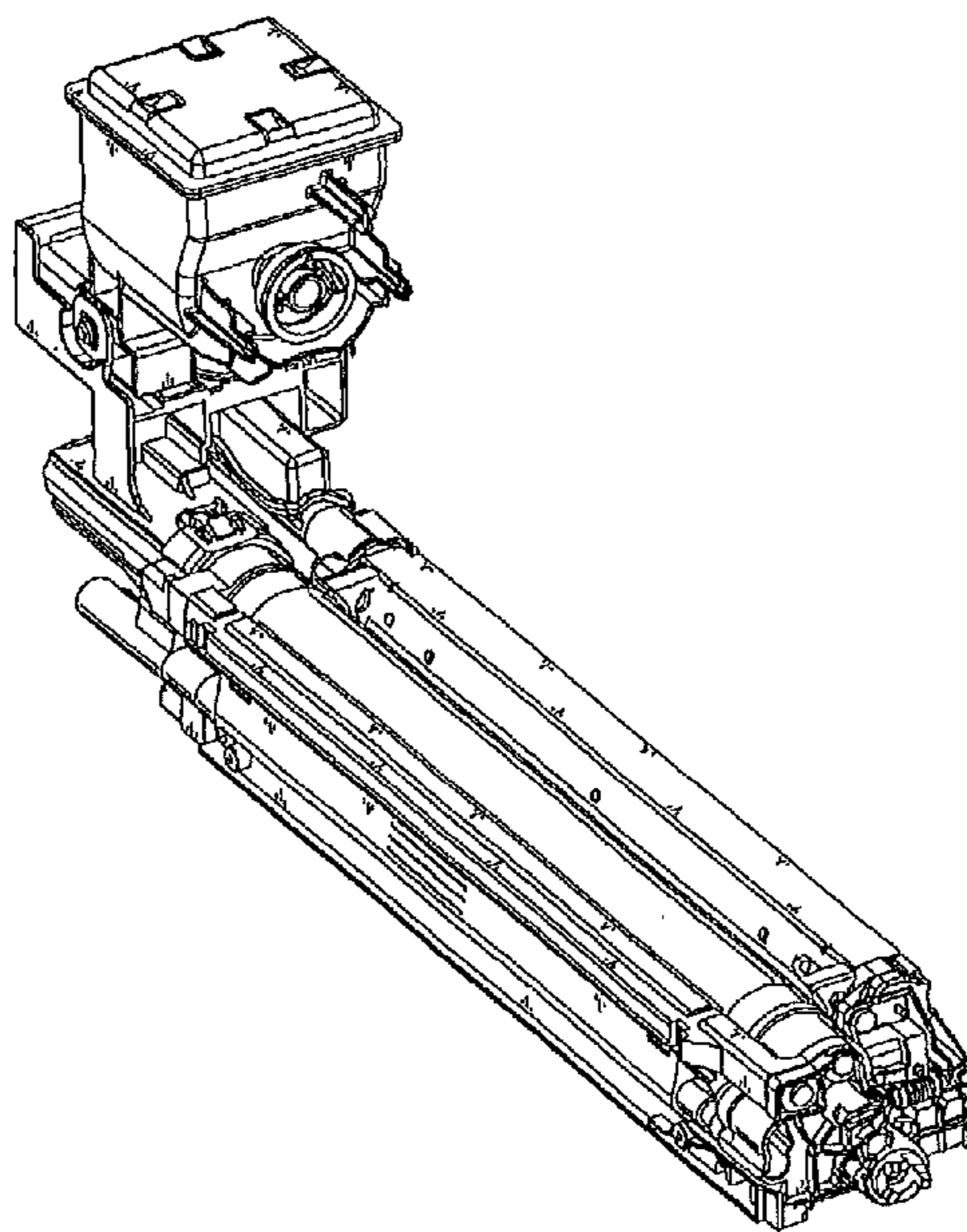


FIG. 1

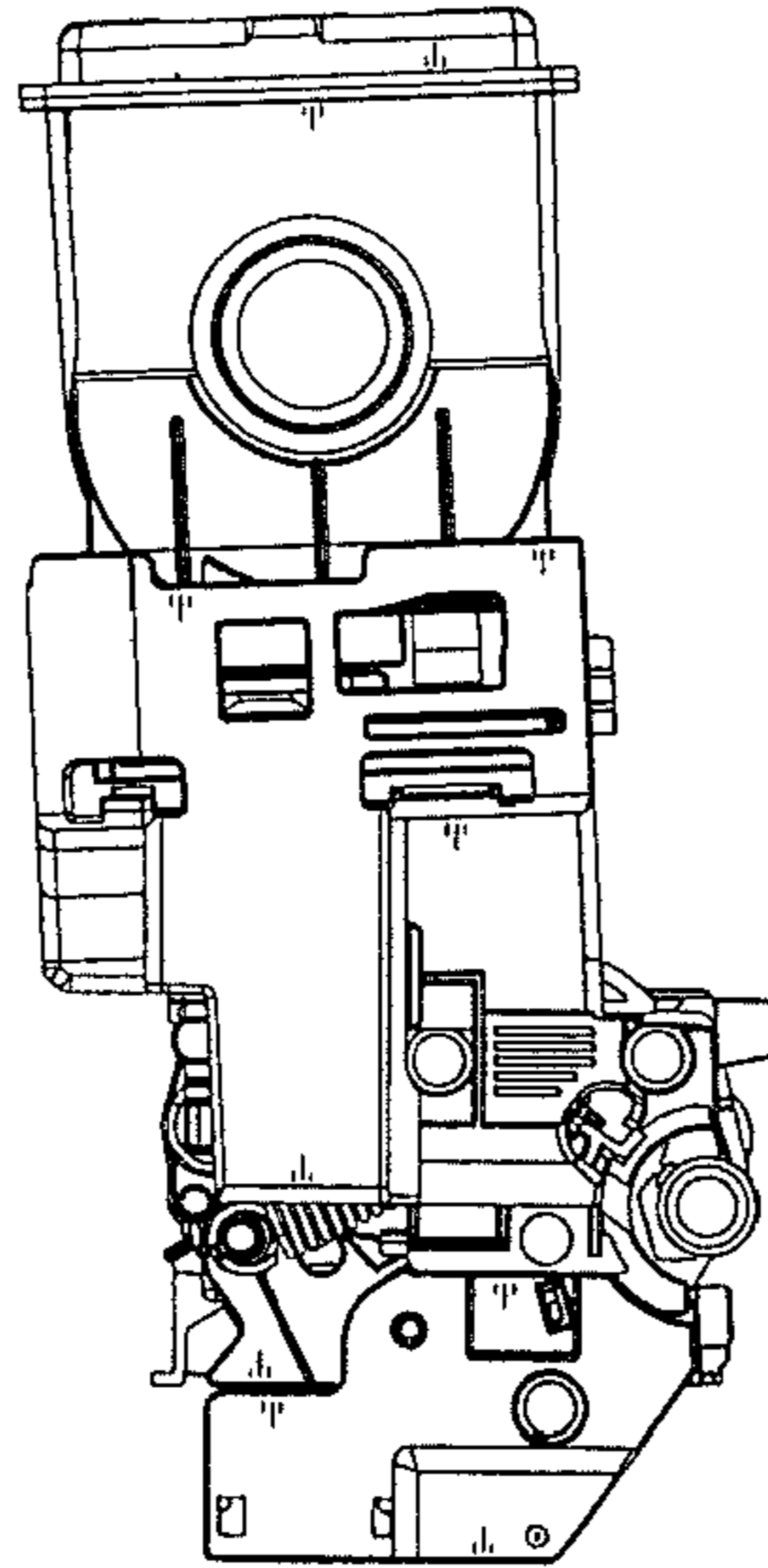


FIG. 2

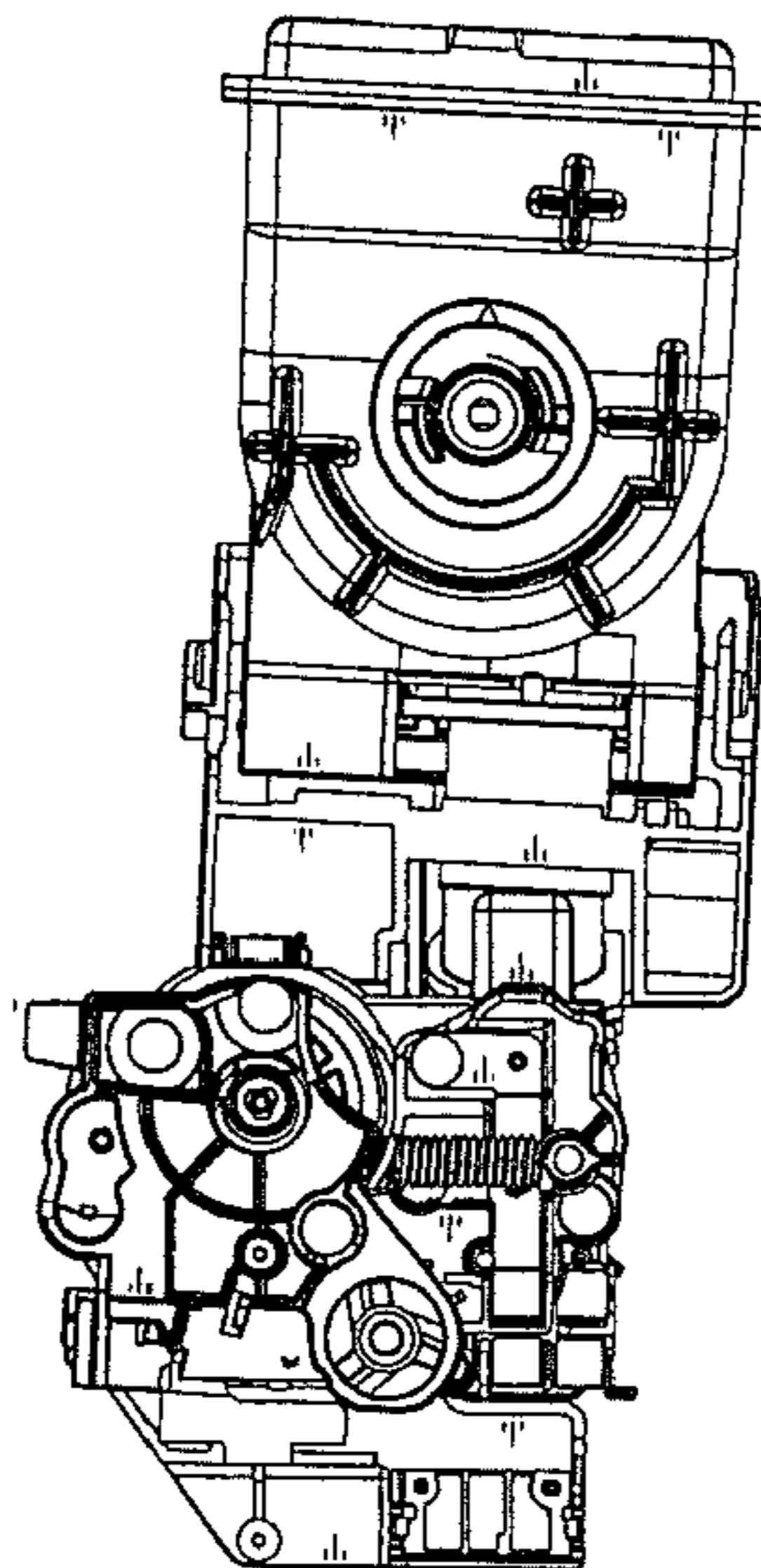


FIG. 3

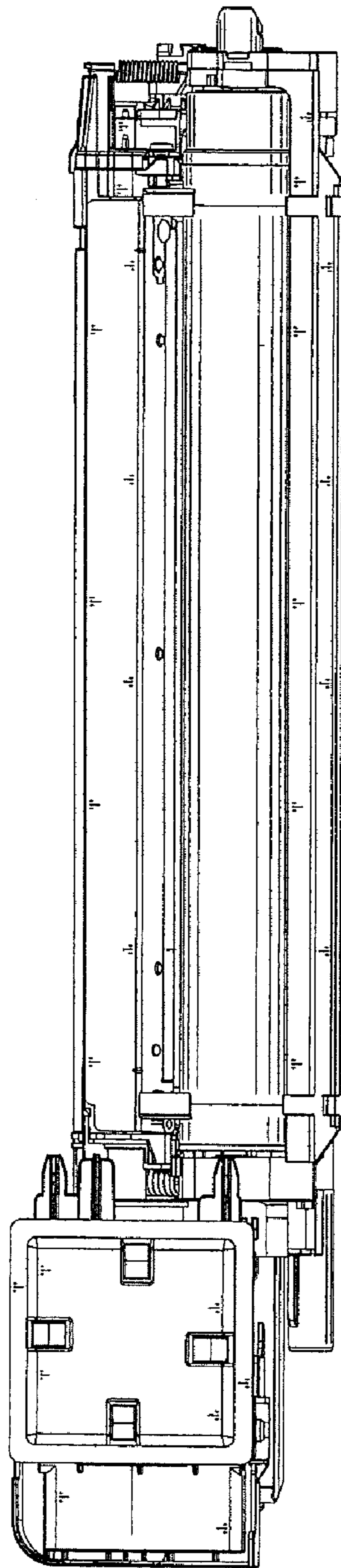


FIG. 4

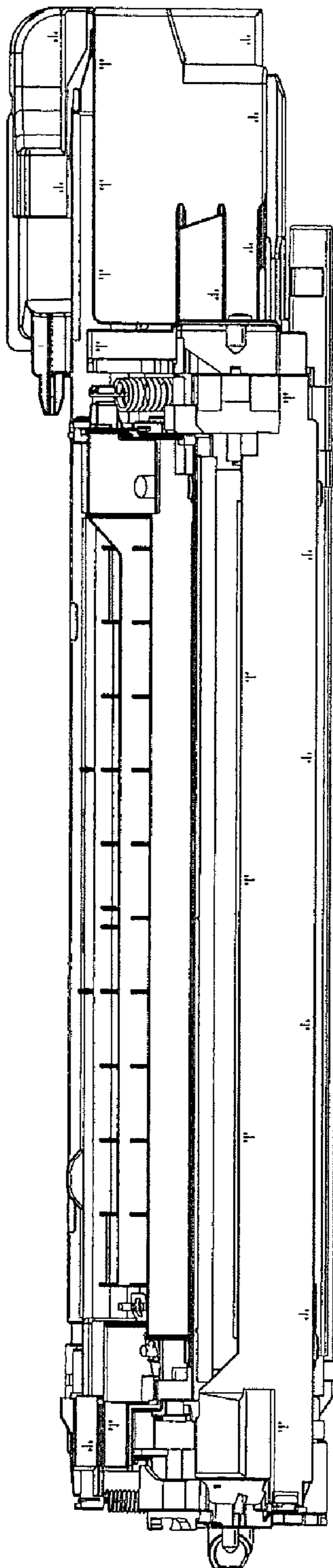


FIG. 5

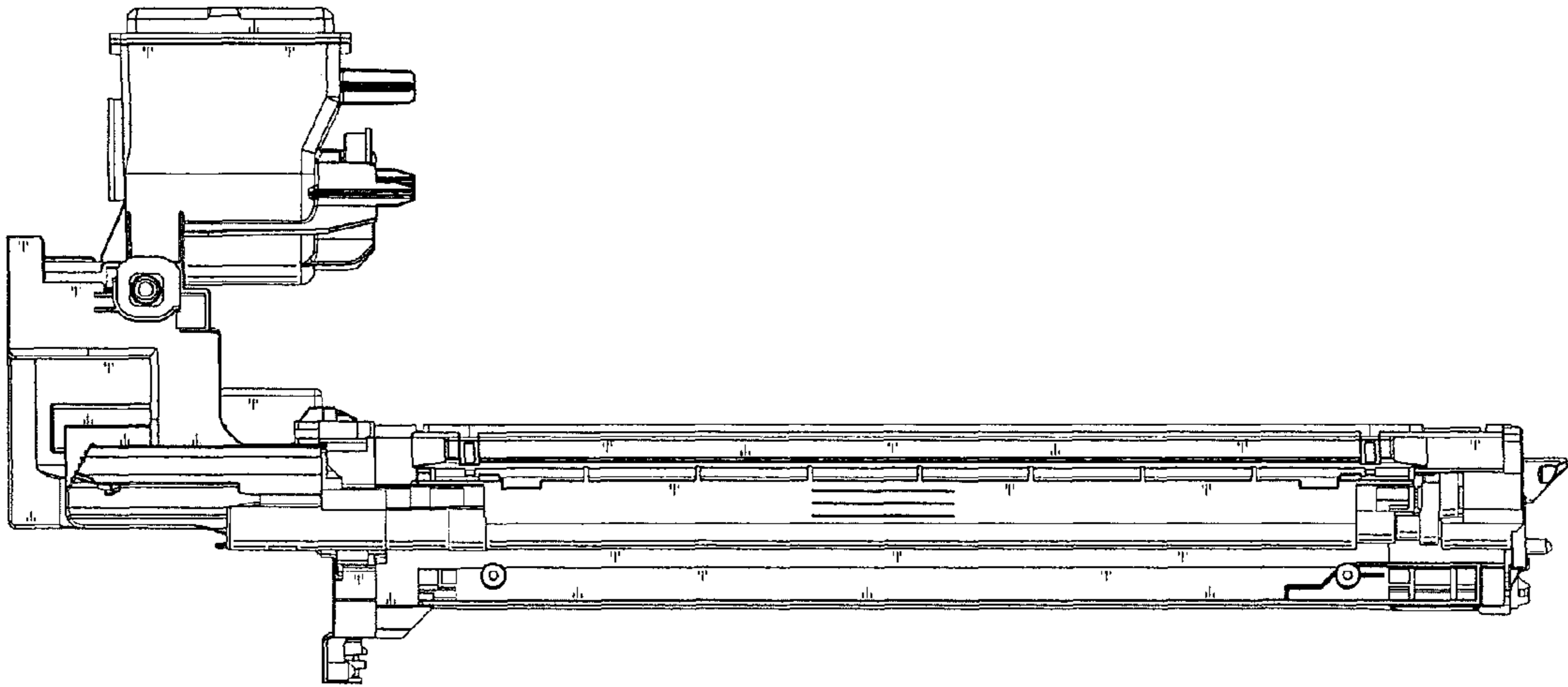


FIG. 6

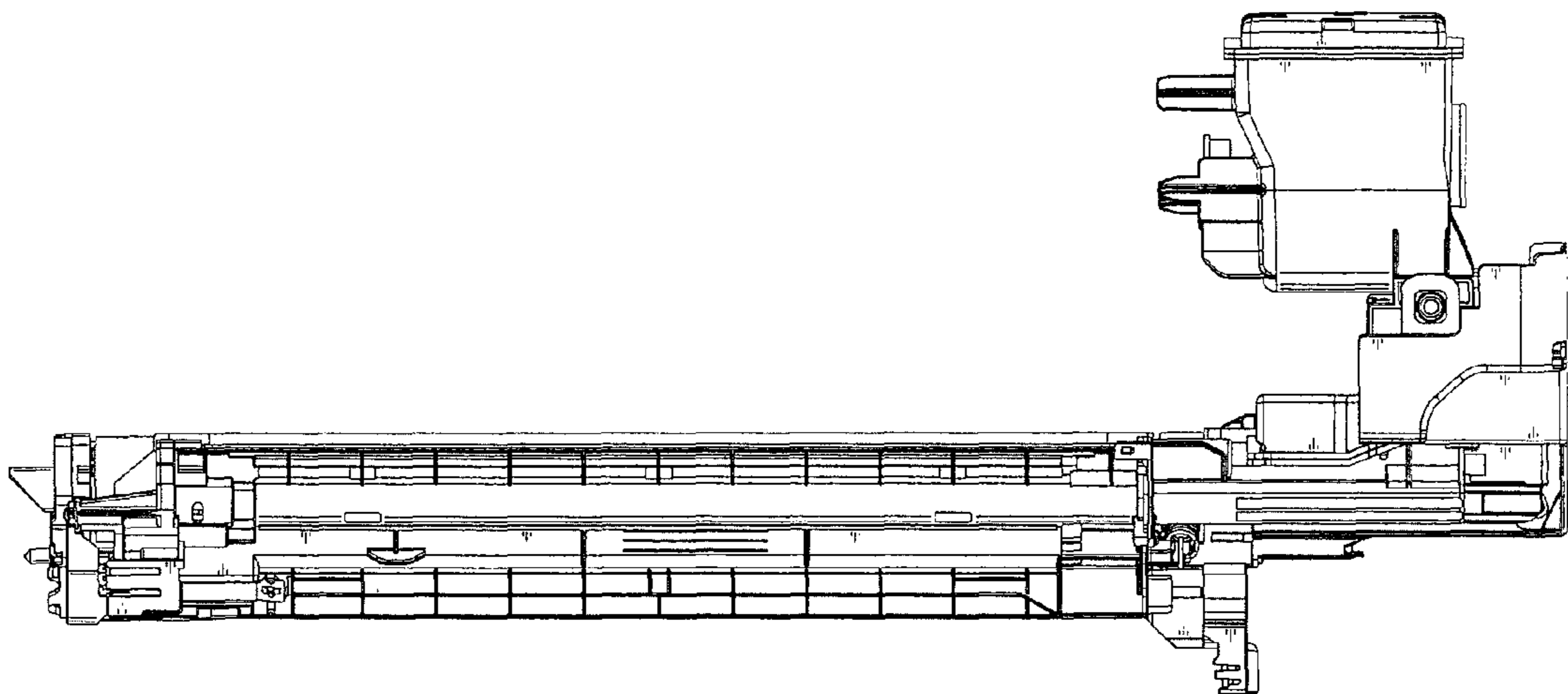


FIG. 7

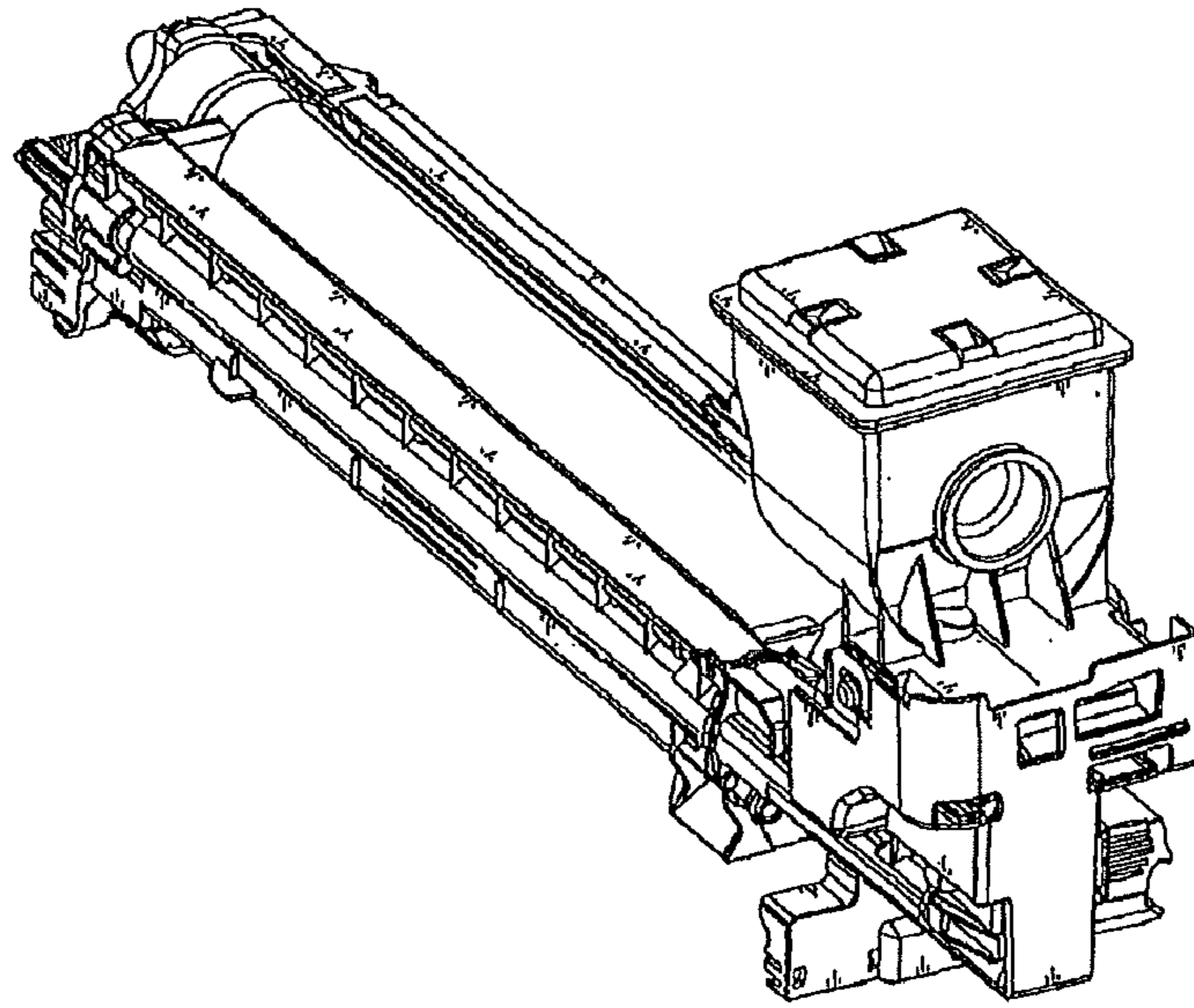


FIG. 8

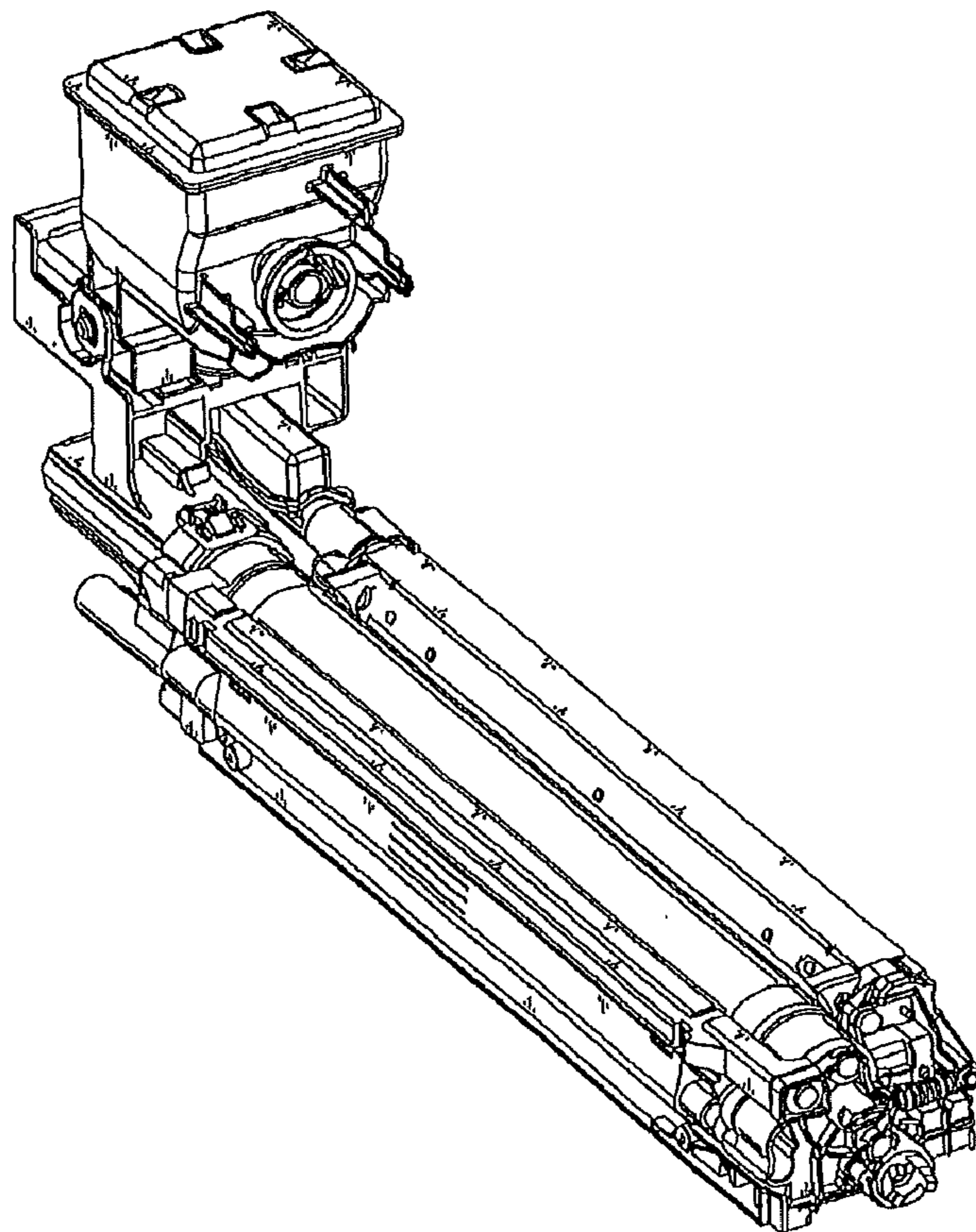


FIG. 9

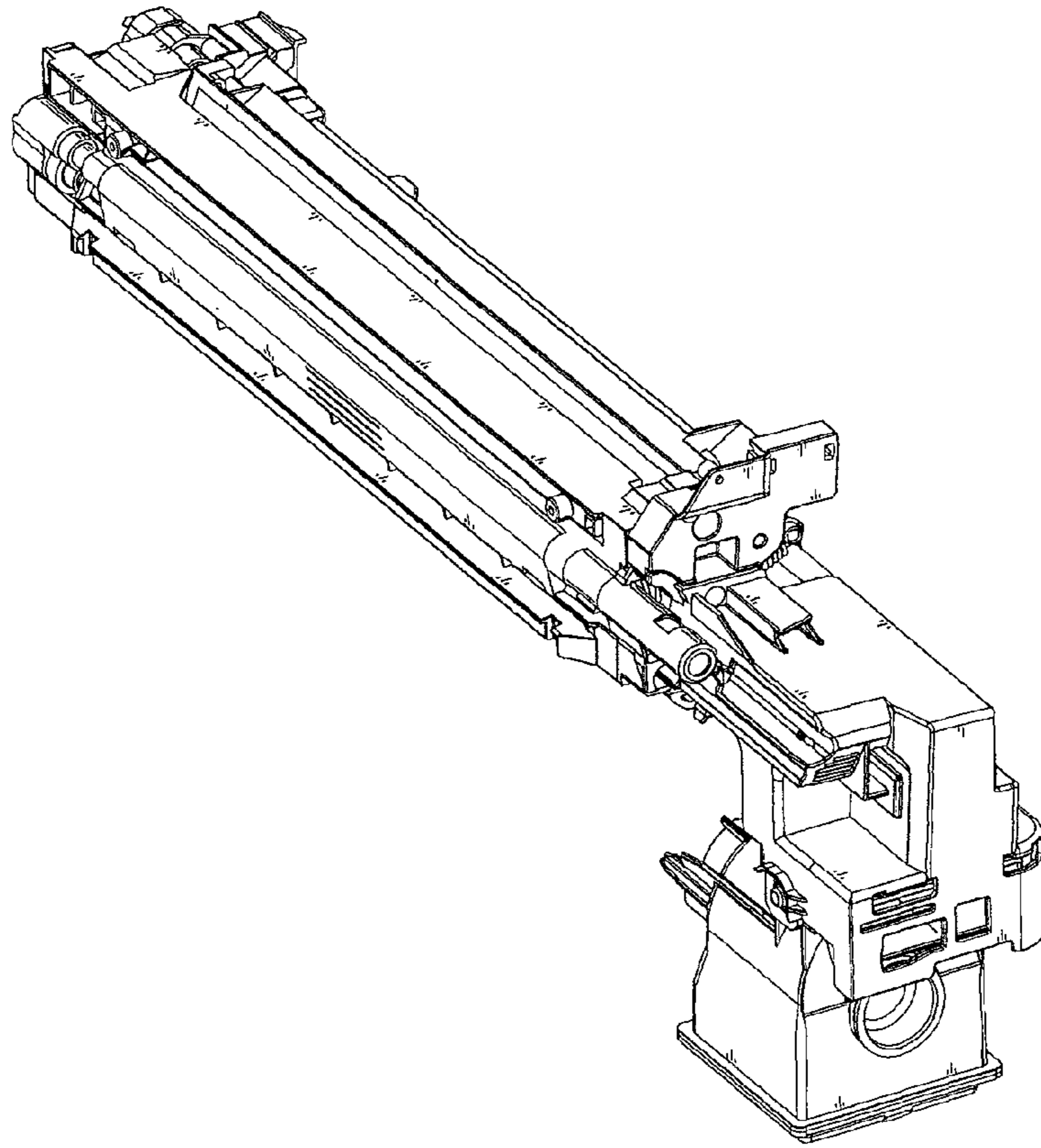


FIG. 10

