

US00D657411S

(12) **United States Design Patent**
Hibi et al.

(10) **Patent No.:** **US D657,411 S**
(45) **Date of Patent:** **** Apr. 10, 2012**

- (54) **CAMERA**
- (75) Inventors: **Keita Hibi**, Tokyo (JP); **Katsuhisa Hakoda**, Tokyo (JP); **Noriaki Takagi**, Tokyo (JP)
- (73) Assignee: **Sony Corporation**, Tokyo (JP)
- (**) Term: **14 Years**
- (21) Appl. No.: **29/347,566**
- (22) Filed: **Mar. 5, 2010**

Related U.S. Application Data

- (63) Continuation-in-part of application No. 29/311,817, filed on Jun. 30, 2009, now Pat. No. Des. 644,678.

(30) **Foreign Application Priority Data**

- Jan. 5, 2009 (JP) D2009-000060
- Jan. 5, 2009 (JP) D2009-000061
- Jan. 5, 2009 (JP) D2009-000062
- Jan. 5, 2010 (CN) 2010 3 0002002

- (51) **LOC (9) Cl.** **16-05**
- (52) **U.S. Cl.** **D16/219**
- (58) **Field of Classification Search** D16/200, D16/202, 203, 212, 218, 219; 348/373-376; 396/535-541
See application file for complete search history.

(56) **References Cited**

U.S. PATENT DOCUMENTS

- D508,711 S 8/2005 Suzuki
- D519,539 S 4/2006 Takagi
- D521,038 S 5/2006 Takagi
- D521,043 S 5/2006 Takagi
- D525,275 S * 7/2006 Nagayama et al. D16/219
- D532,810 S * 11/2006 Kim D16/219
- D561,225 S * 2/2008 Miyahara D16/219
- D566,149 S 4/2008 Sumita
- D566,153 S 4/2008 Katsuraku
- D574,029 S 7/2008 Yamagishi
- D582,463 S 12/2008 Yamagishi
- 7,643,085 B2 * 1/2010 Saiki et al. 348/373
- D611,519 S * 3/2010 Kwon et al. D16/219

- D611,974 S * 3/2010 Kwon et al. D16/202
- D629,437 S * 12/2010 Takagi D16/219
- D630,662 S * 1/2011 Miyashita D16/219
- 7,940,517 B2 * 5/2011 Kitagawa et al. 396/535

FOREIGN PATENT DOCUMENTS

- JP D1194317 S 1/2004
- JP D1232032 S 3/2005
- JP D1305554 S 7/2007
- JP D1320147 S 1/2008

OTHER PUBLICATIONS

Web page, "Samsung PL55", http://www.samsungcameracorder.co.uk/series/17/point_and_shoot/camera/78/pl55.html, 4 sheets, Samsung, 2010.

* cited by examiner

Primary Examiner — Adir Aronovich

(74) *Attorney, Agent, or Firm* — Rader, Fishman & Grauer PLLC

(57) **CLAIM**

The ornamental design for a camera, as shown and described.

DESCRIPTION

FIG. 1 is a perspective view of a camera showing our new design;
 FIG. 2 is a front elevational view thereof;
 FIG. 3 is a left side elevational view thereof;
 FIG. 4 is a right side elevational view thereof;
 FIG. 5 is a top plan view thereof; and
 FIG. 6 is a bottom plan view thereof.
 FIG. 7 is a perspective view of another embodiment of a camera showing our new design;
 FIG. 8 is a front elevational view thereof;
 FIG. 9 is a left side elevational view thereof;
 FIG. 10 is a right side elevational view thereof;
 FIG. 11 is a top plan view thereof; and,
 FIG. 12 is a bottom plan view thereof.
 The portions of the camera in broken lines are shown for illustrative purposes only and form no part of the claimed design.

1 Claim, 8 Drawing Sheets

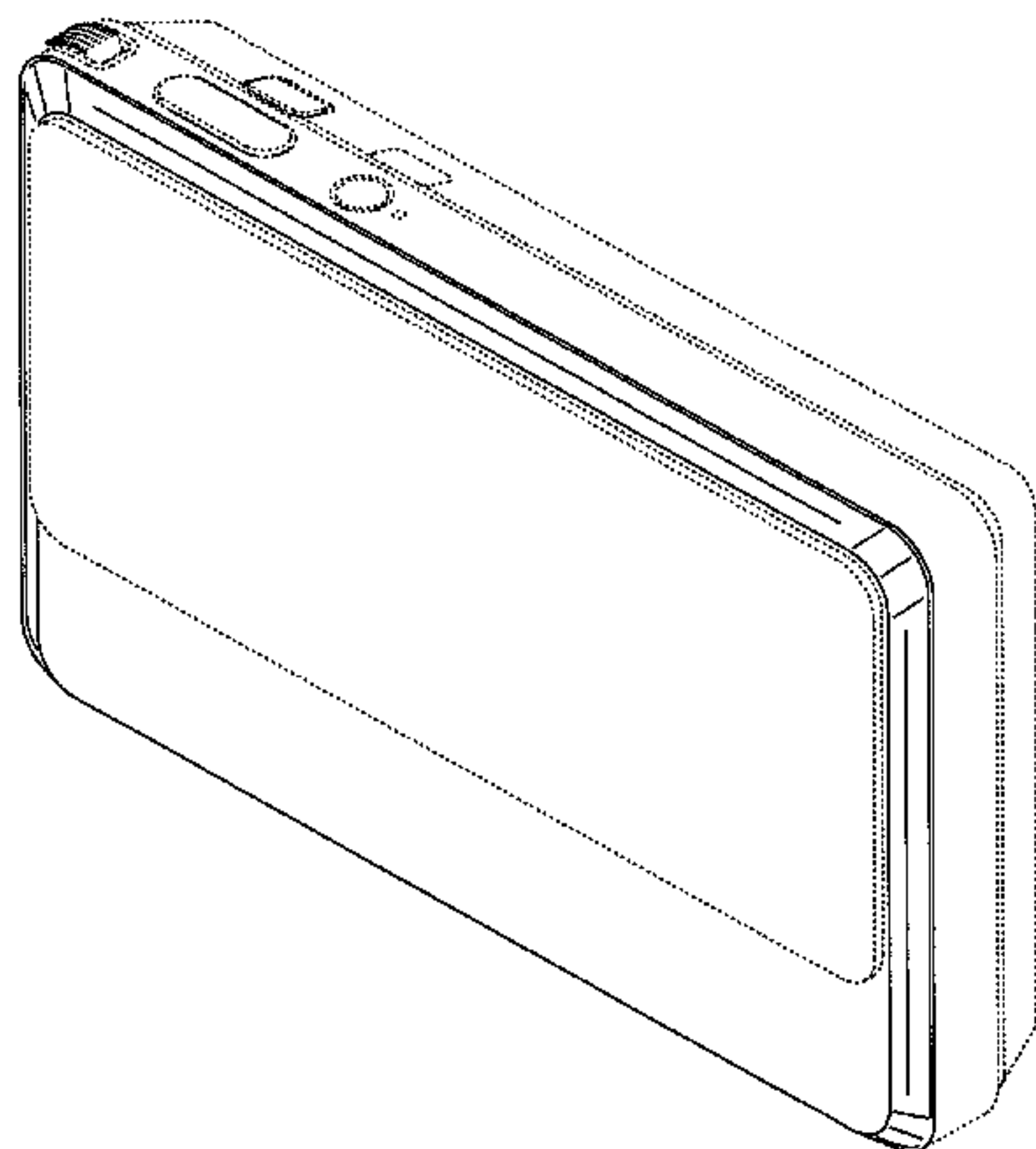


FIG. 1

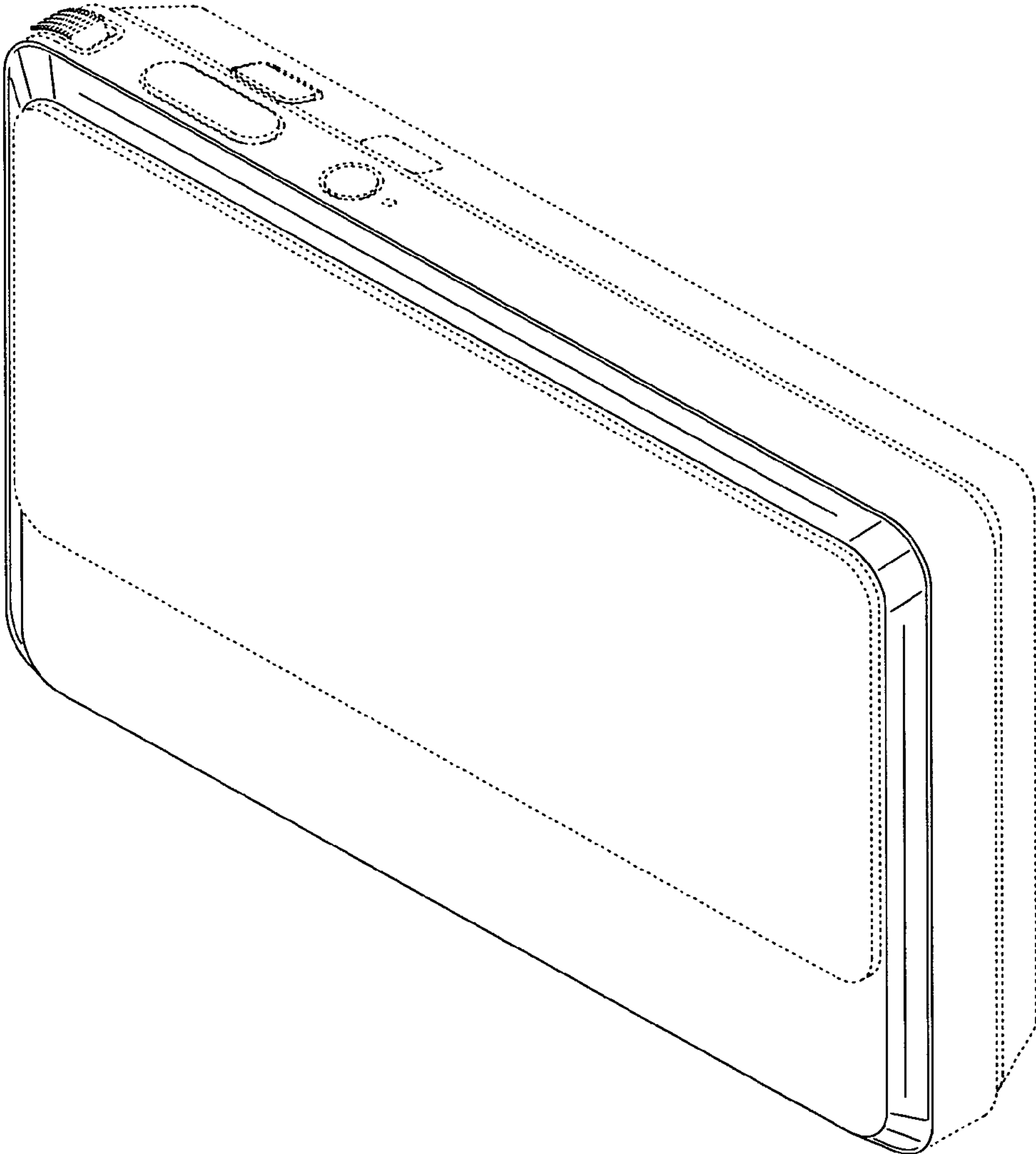


FIG.2

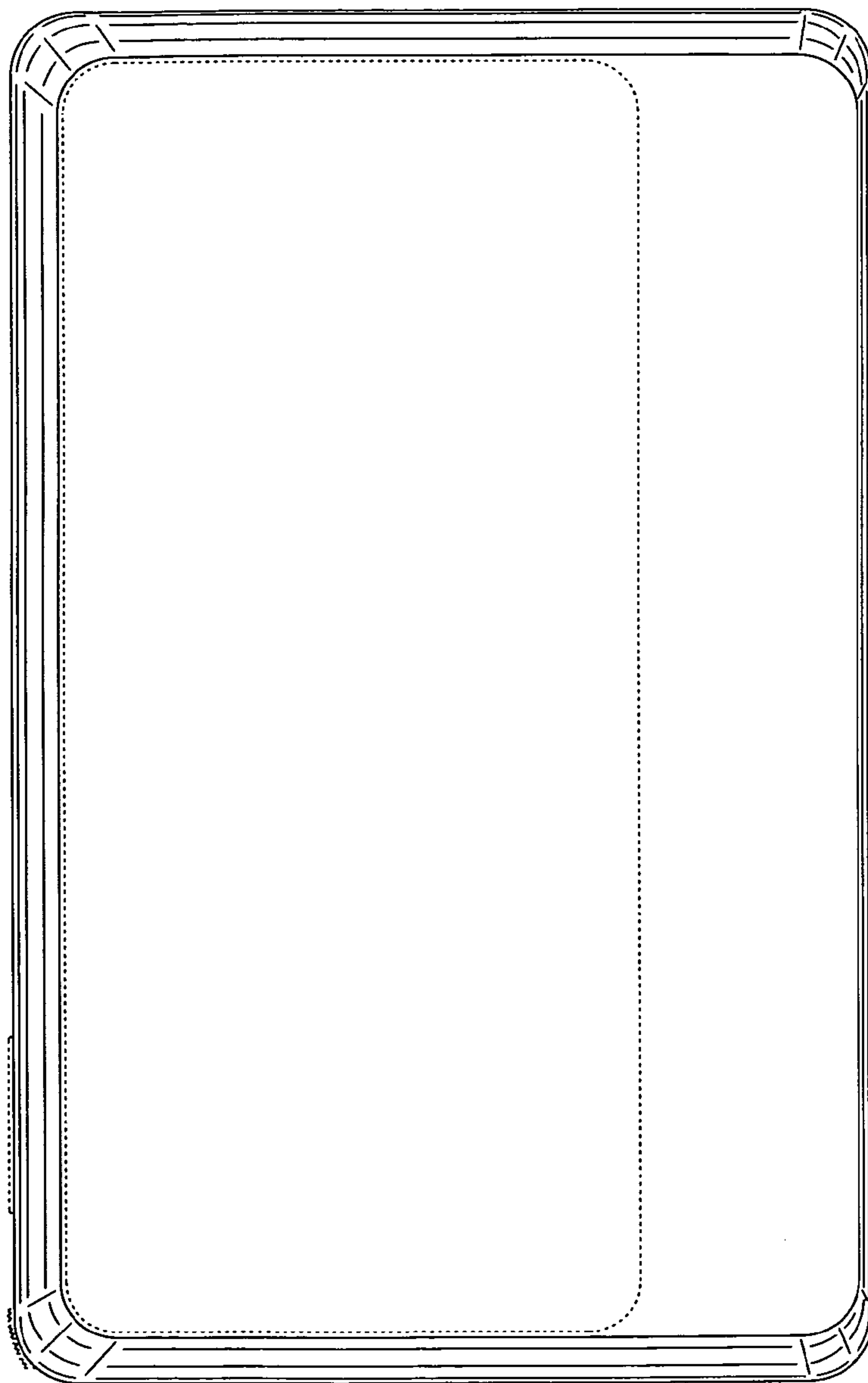


FIG.3

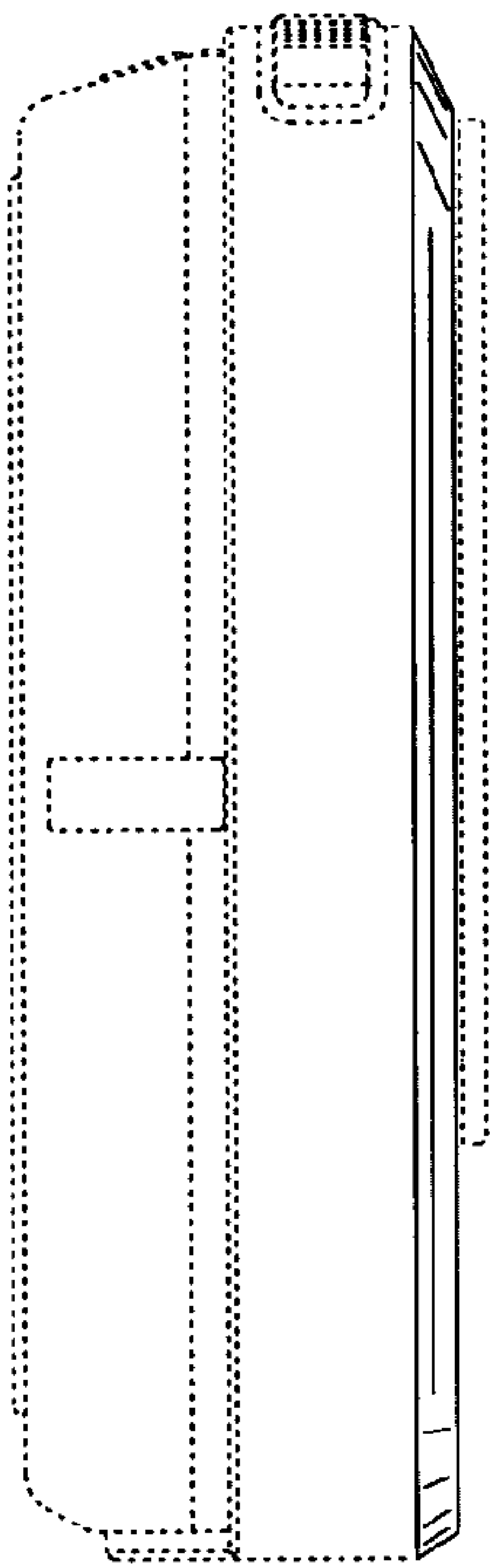


FIG.4

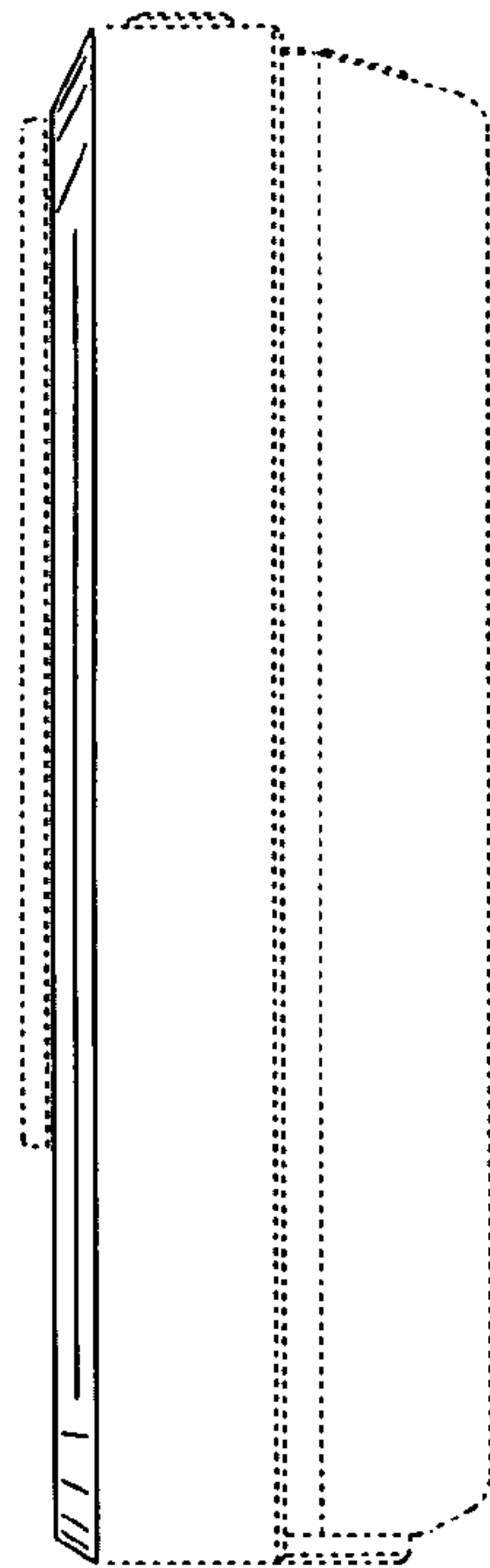


FIG.5

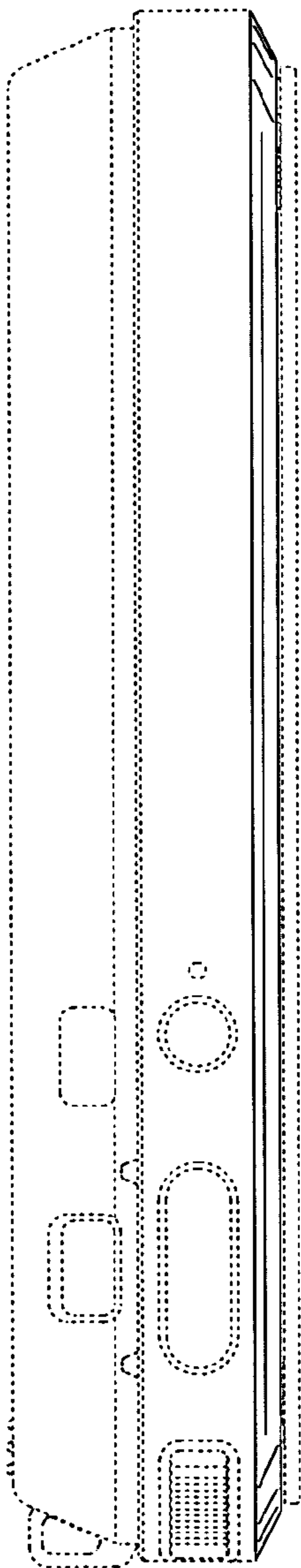


FIG.6

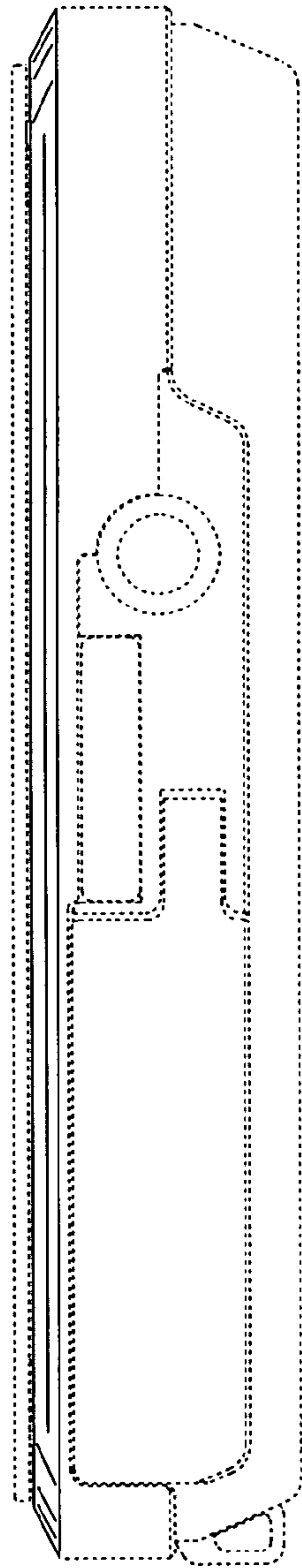


FIG. 7

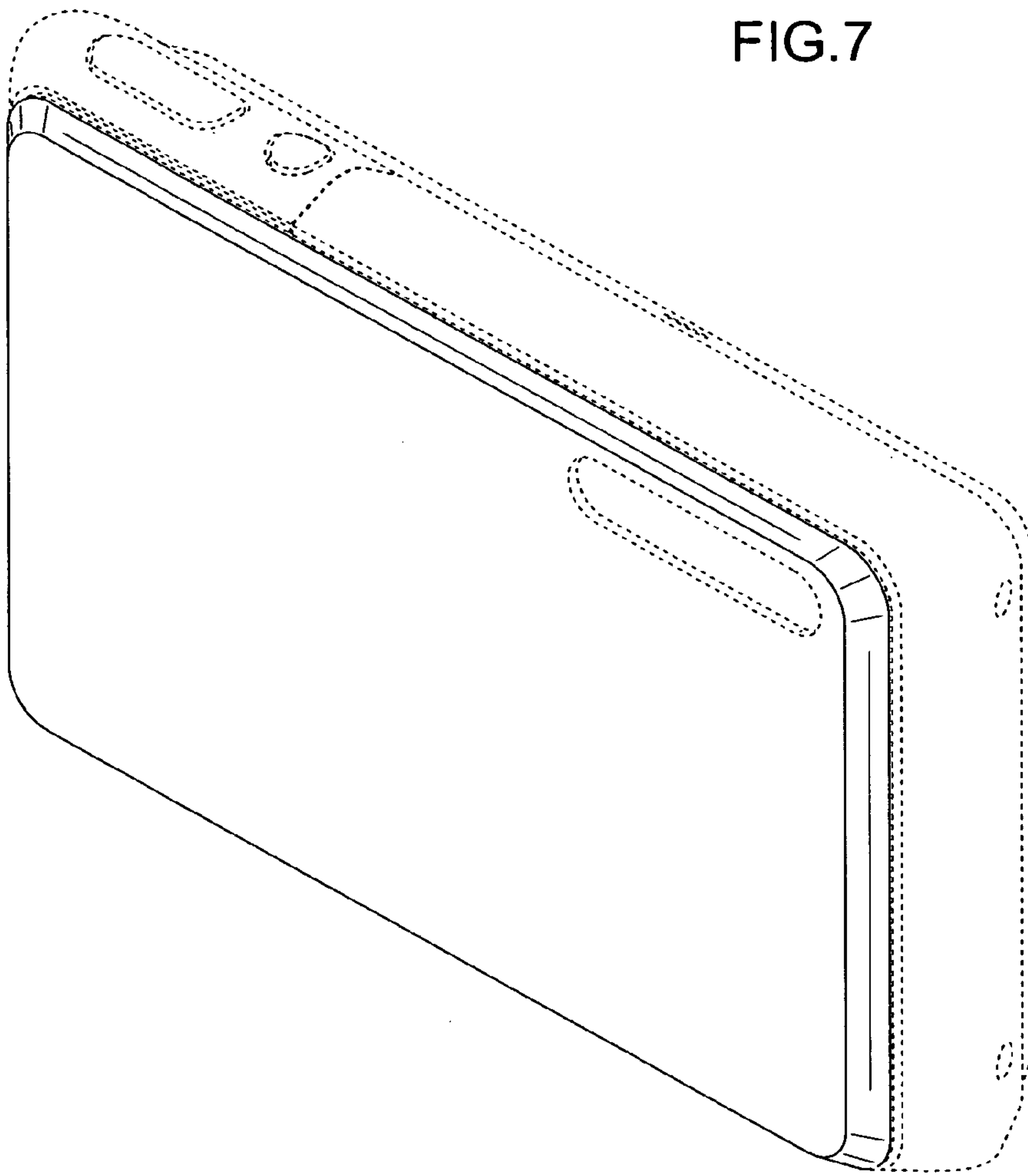


FIG.8

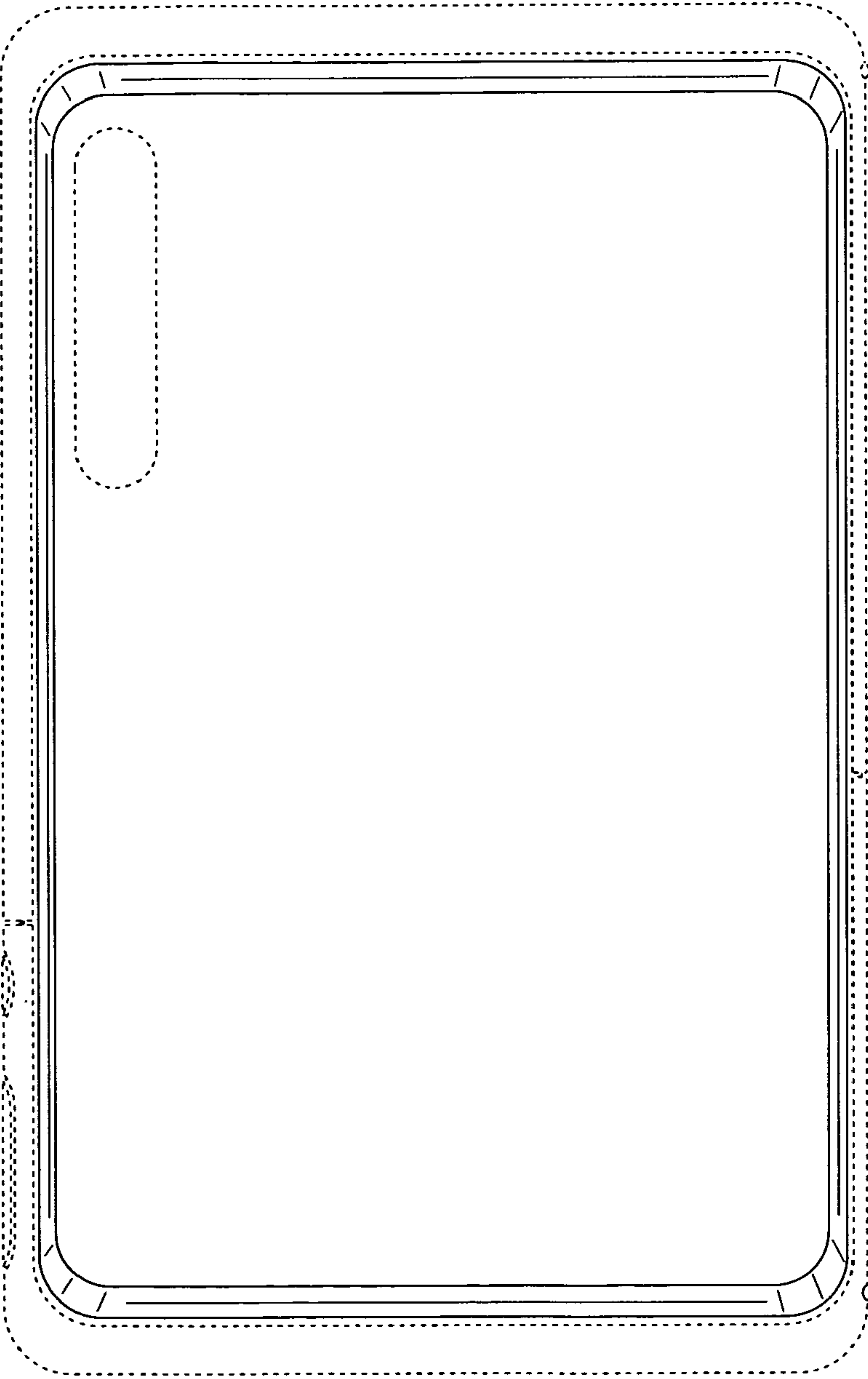


FIG.10

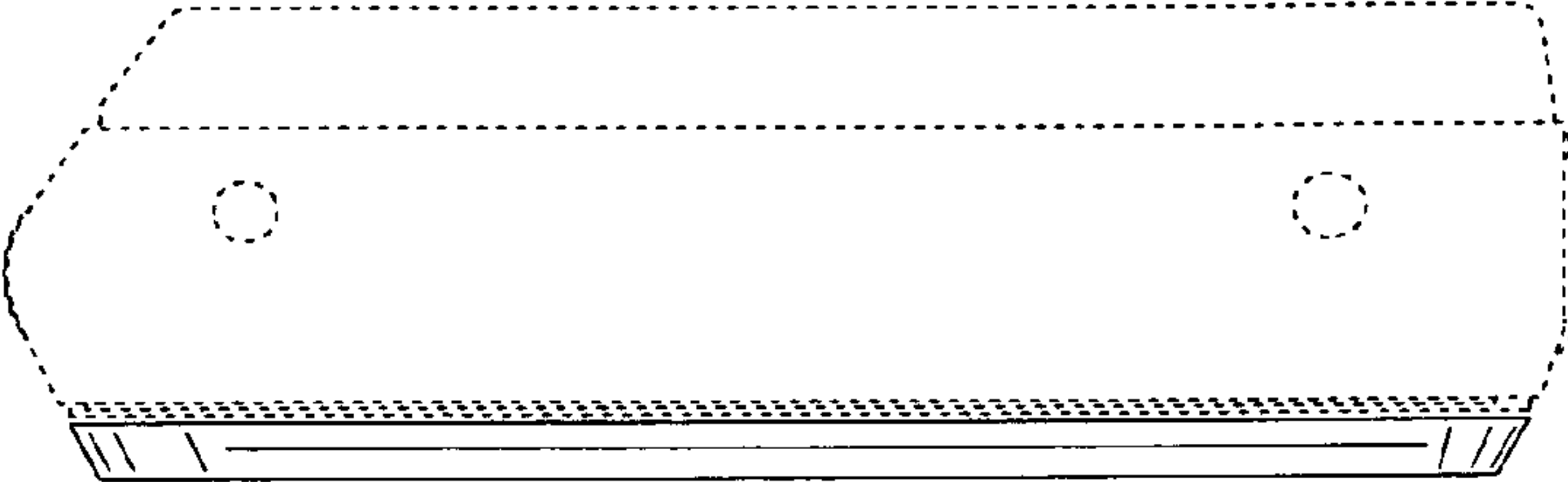


FIG.9

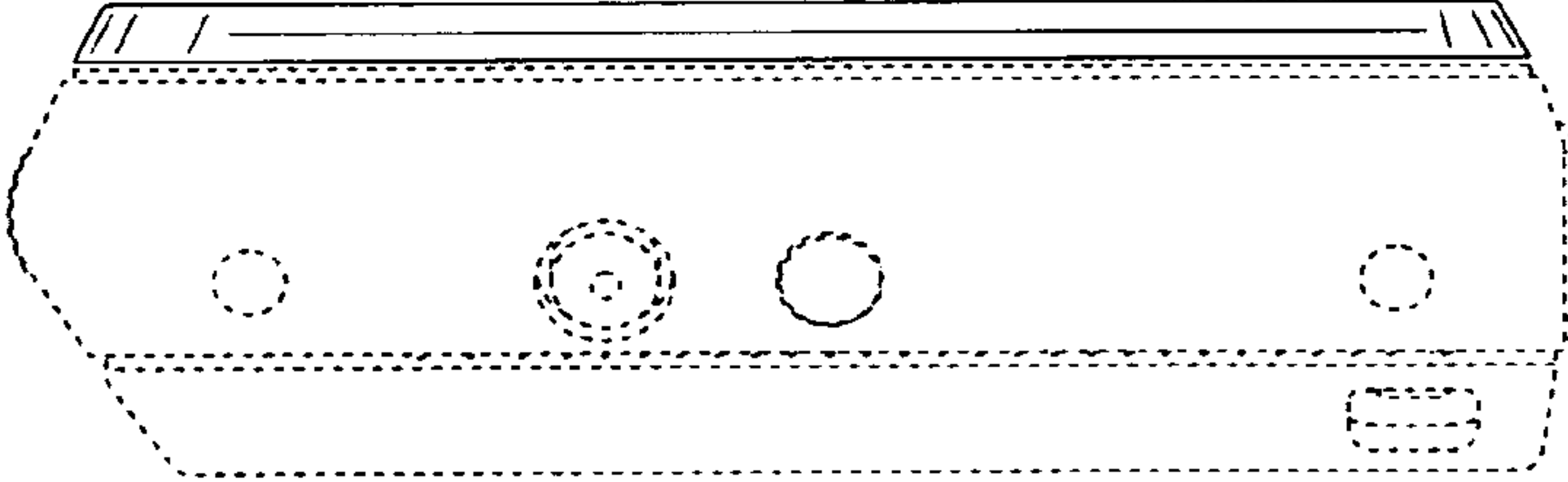


FIG.11

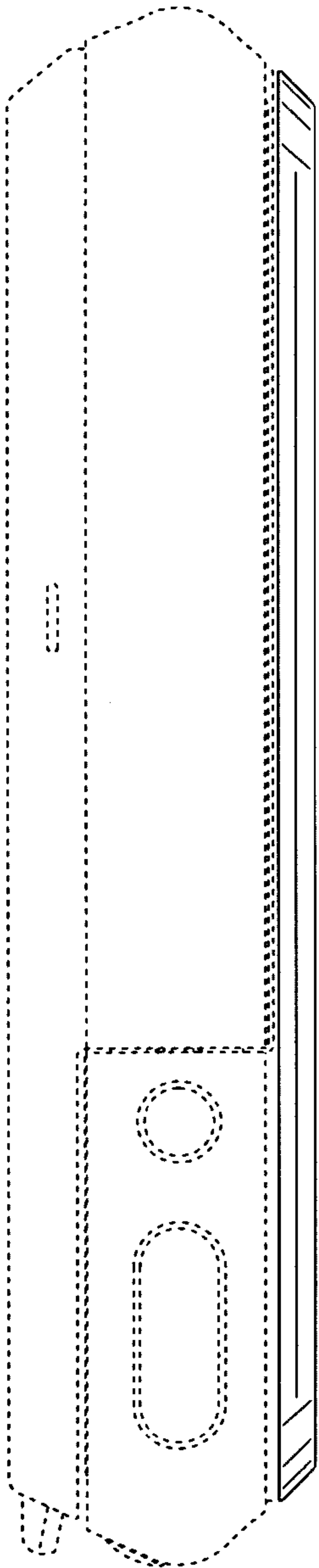


FIG.12

