



US00D657410S

(12) **United States Design Patent**
Helaoui et al.

(10) **Patent No.:** **US D657,410 S**
(45) **Date of Patent:** **** Apr. 10, 2012**

(54) **CAMERA**

(75) Inventors: **Samir Helaoui**, Malmö (SE); **Jens Pahlitzsch**, Lund (SE); **Morten Bergström**, Bjärred (SE); **Mariano Vozzi**, Malmö (SE); **Camilla Lundstöm**, Ängelholm (SE)

(73) Assignee: **Axis AB**, Lund (SE)

(**) Term: **14 Years**

(21) Appl. No.: **29/379,699**

(22) Filed: **Nov. 23, 2010**

(51) **LOC (9) Cl.** **16-01**

(52) **U.S. Cl.** **D16/203**

(58) **Field of Classification Search** ... D10/106.1–106.6;
D16/200–204; 348/143, 151, 373–376; 396/427,
396/535–541

See application file for complete search history.

(56) **References Cited**

U.S. PATENT DOCUMENTS

D374,189	S	*	10/1996	Hubben	D10/106.6
D416,273	S	*	11/1999	Yamakawa et al.	D16/203
D425,535	S	*	5/2000	Mutoh et al.	D16/203
D426,250	S	*	6/2000	Lefkowitz	D16/203
D452,696	S	*	1/2002	Fenton	D16/203
D499,125	S	*	11/2004	Adachi et al.	D16/203
7,586,537	B2	*	9/2009	Konishi et al.	348/373
D639,842	S	*	6/2011	Zeinoun et al.	D16/203
D645,071	S	*	9/2011	Hinkel	D16/203

FOREIGN PATENT DOCUMENTS

CN	200730350761.0	4/2009
EP	1113408	7/2001
JP	2000350058	12/2000
TW	085585	2/1987
TW	086748	4/1987
TW	107211	1/1989
TW	542627	9/1991
TW	125776	11/2008

OTHER PUBLICATIONS

Axis 215 PTZ, Oct. 12, 2007, Axis Communications.
Axis M3014-Fixed Dome Network Camera, Feb. 15, 2008, Axis Communications.
Devices, date unknown.
Devices, date unknown.
Devices, date unknown.
Devices, date unknown.

* cited by examiner

Primary Examiner — Adir Aronovich

(74) *Attorney, Agent, or Firm* — Volpe and Koenig, P.C.

(57) **CLAIM**

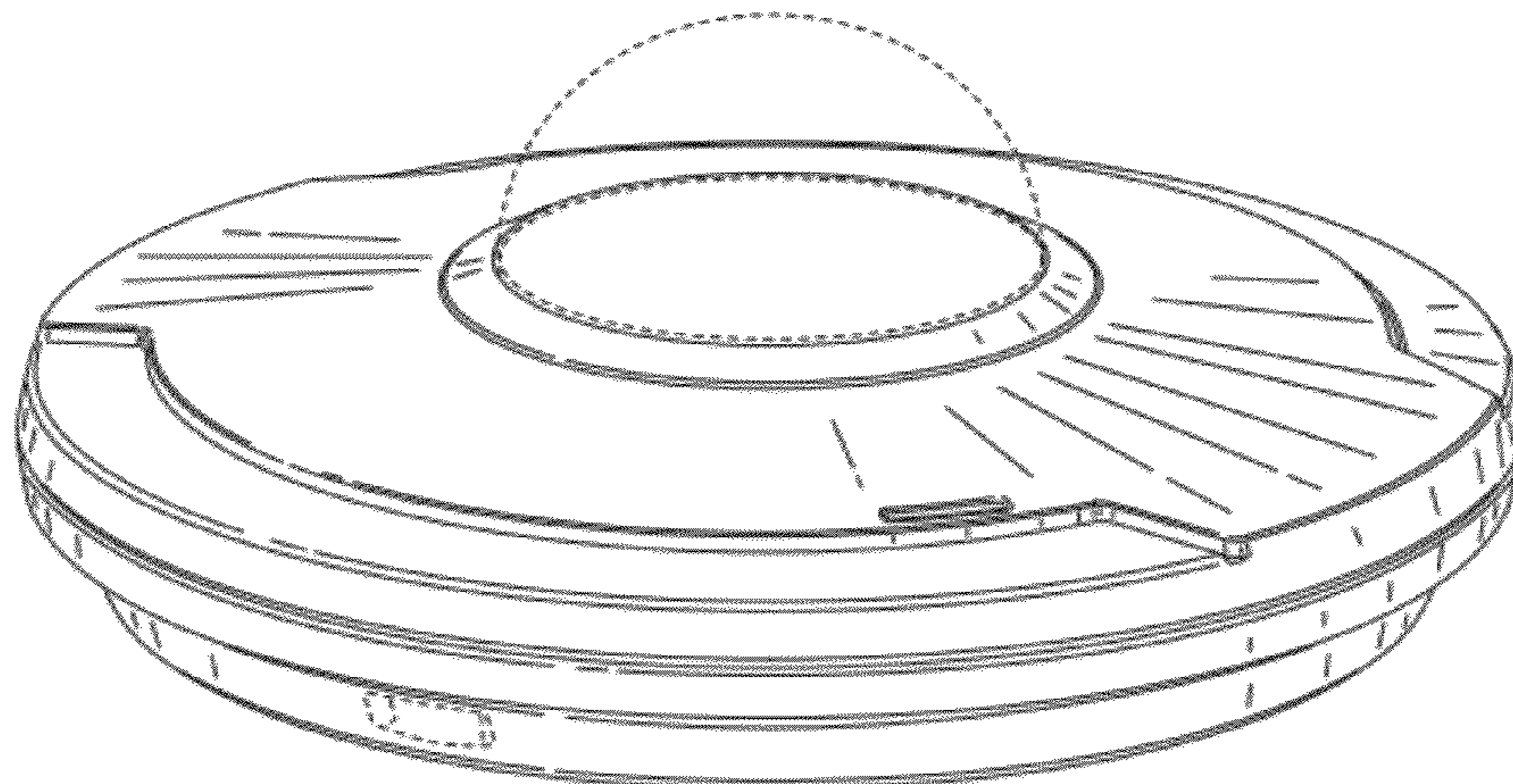
The design for a camera, as shown and described.

DESCRIPTION

FIG. 1 is a top, front, right perspective view of a first embodiment of a camera in accordance with our design;
FIG. 2 is a right side elevational view thereof;
FIG. 3 is a front elevational view thereof;
FIG. 4 is a left side elevational view thereof;
FIG. 5 is a rear elevational view thereof;
FIG. 6 is a top plan view thereof; and
FIG. 7 is a bottom view thereof;
FIG. 8 is a top, front, right perspective view of a second embodiment of a camera in accordance with our design;
FIG. 9 is a right side elevational view thereof;
FIG. 10 is a front elevational view thereof;
FIG. 11 is a left side elevational view thereof;
FIG. 12 is a rear elevational view thereof;
FIG. 13 is a top plan view thereof; and,
FIG. 14 is a bottom view thereof.

The portions of the camera in broken lines are shown for illustrative purposes only and form no part of the claimed design.

1 Claim, 10 Drawing Sheets



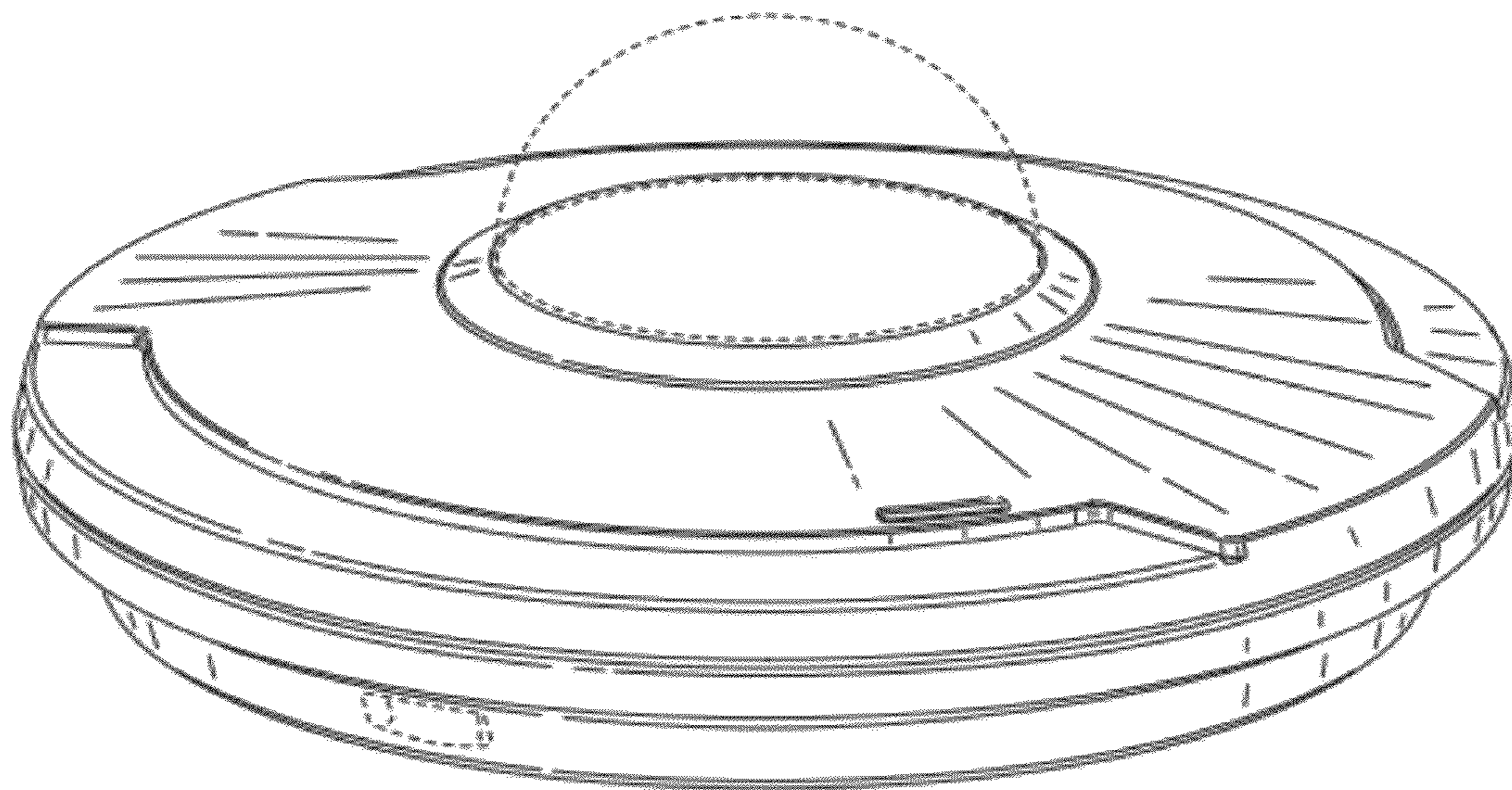


FIG. 1

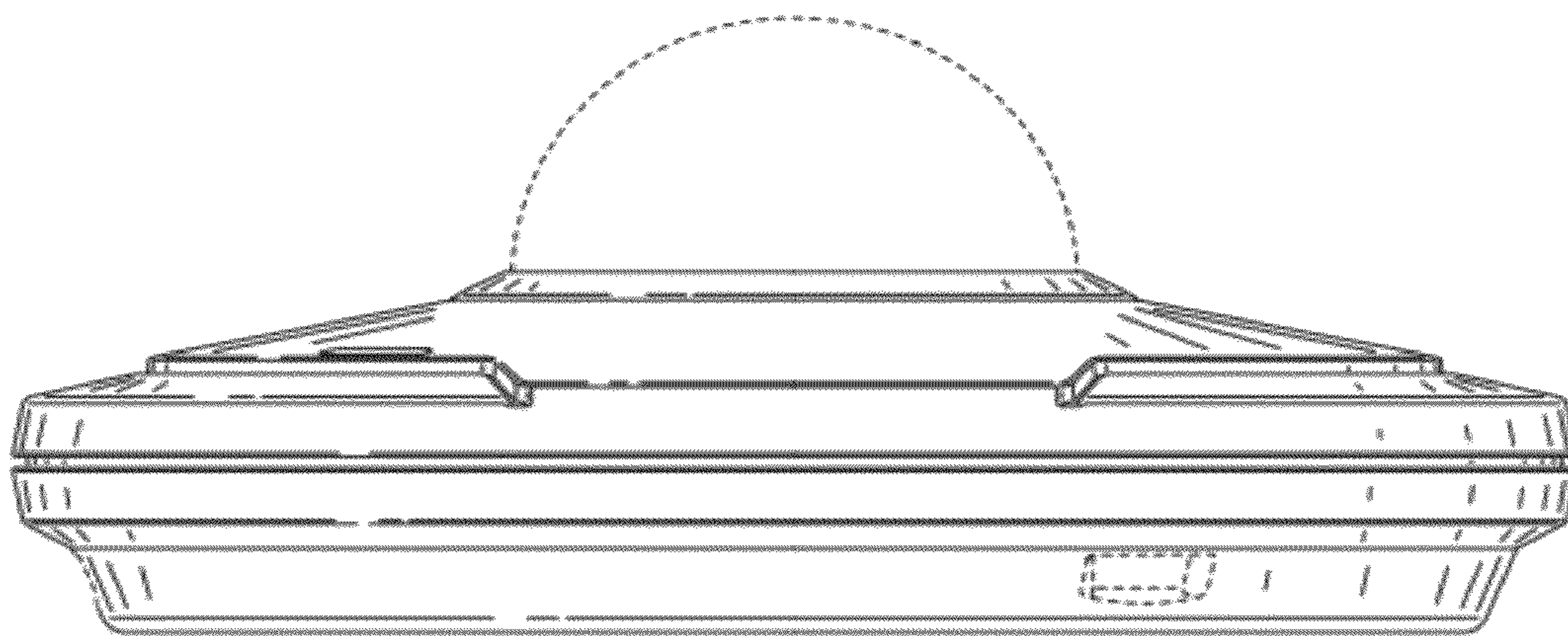


FIG. 2

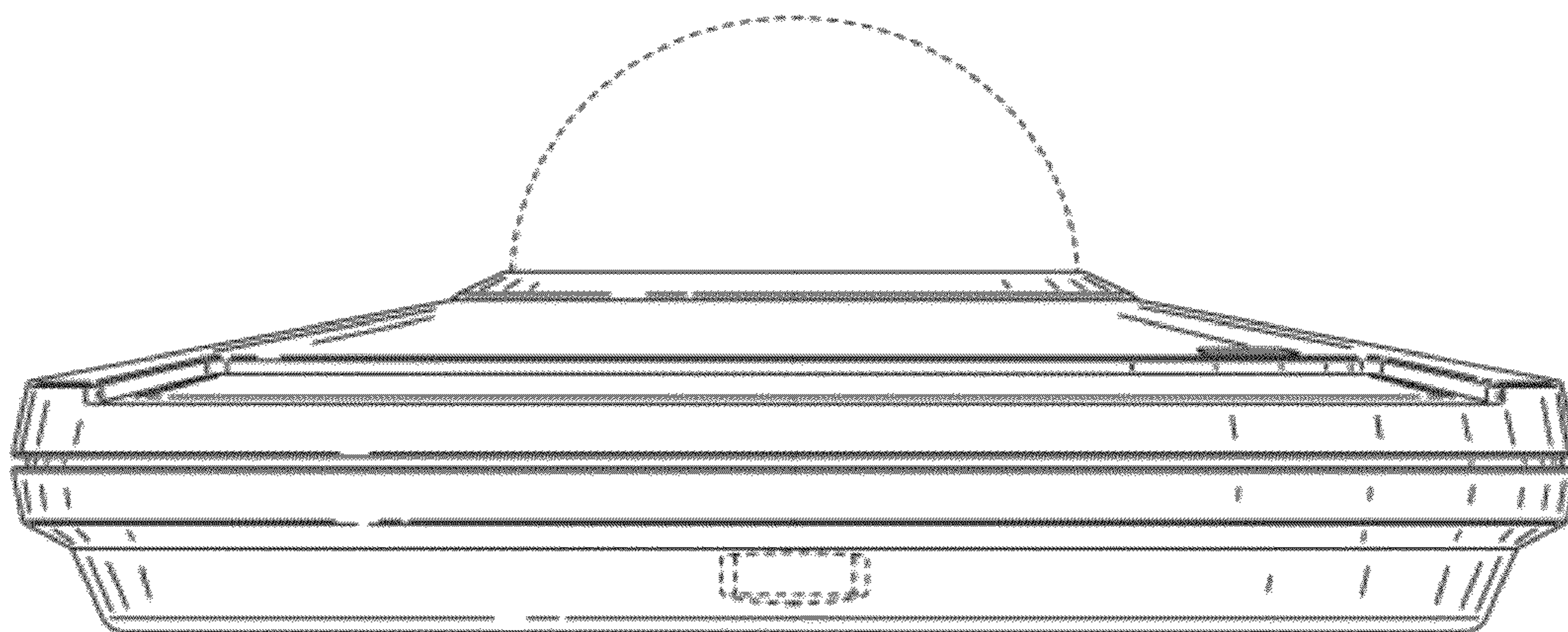


FIG. 3

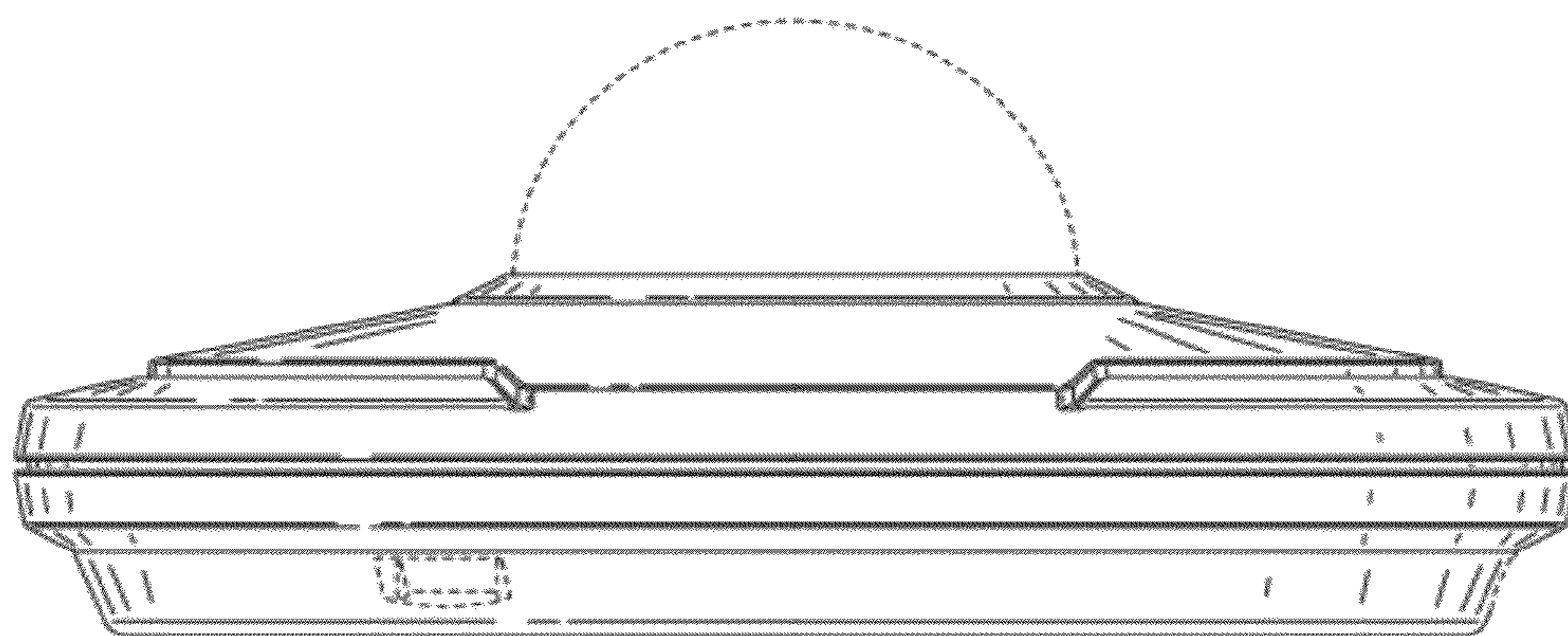


FIG. 4

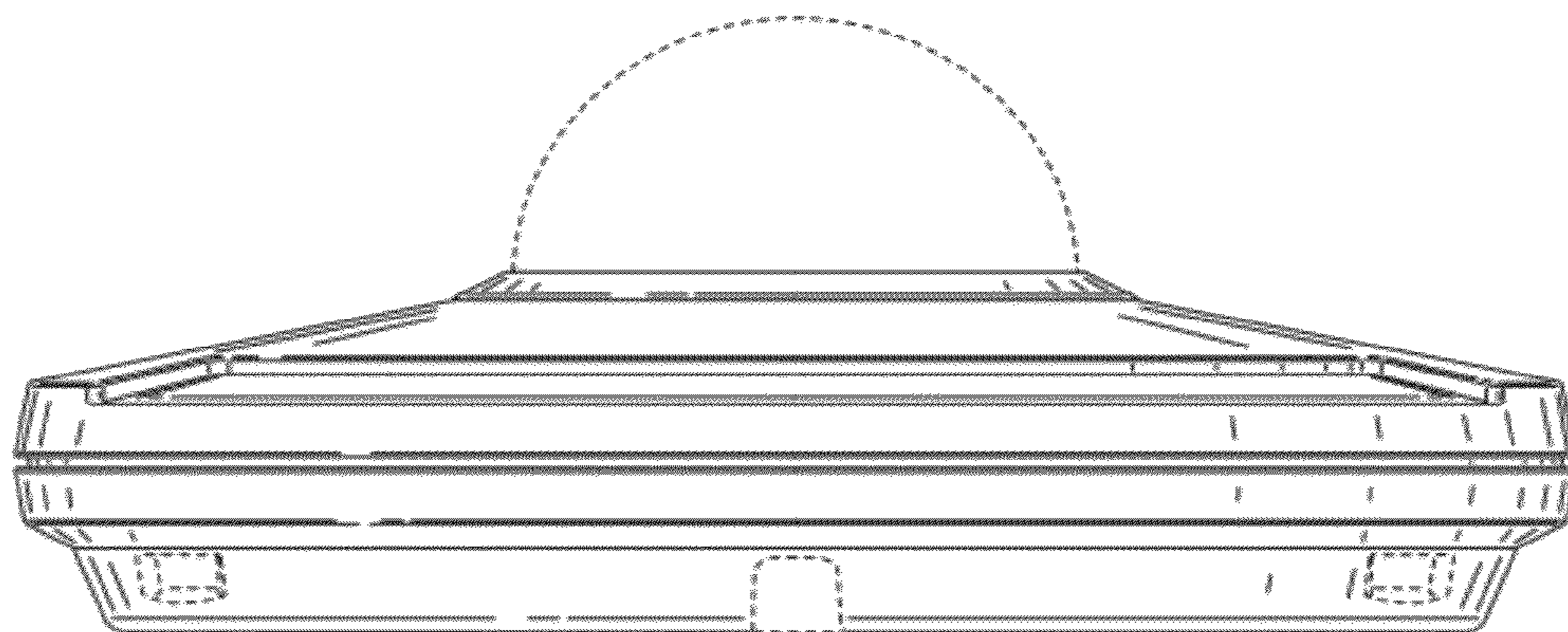


FIG. 5

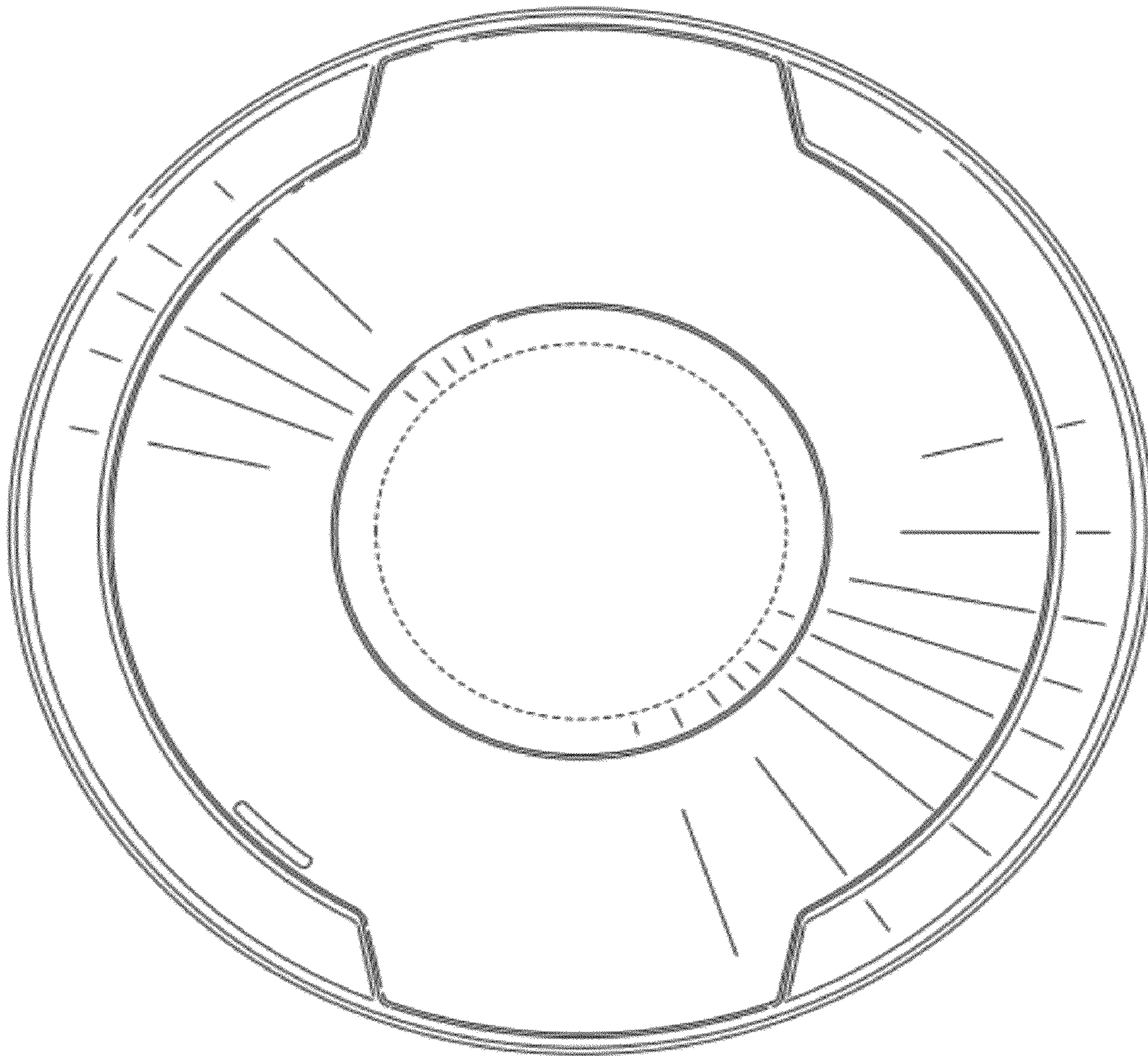


FIG. 6

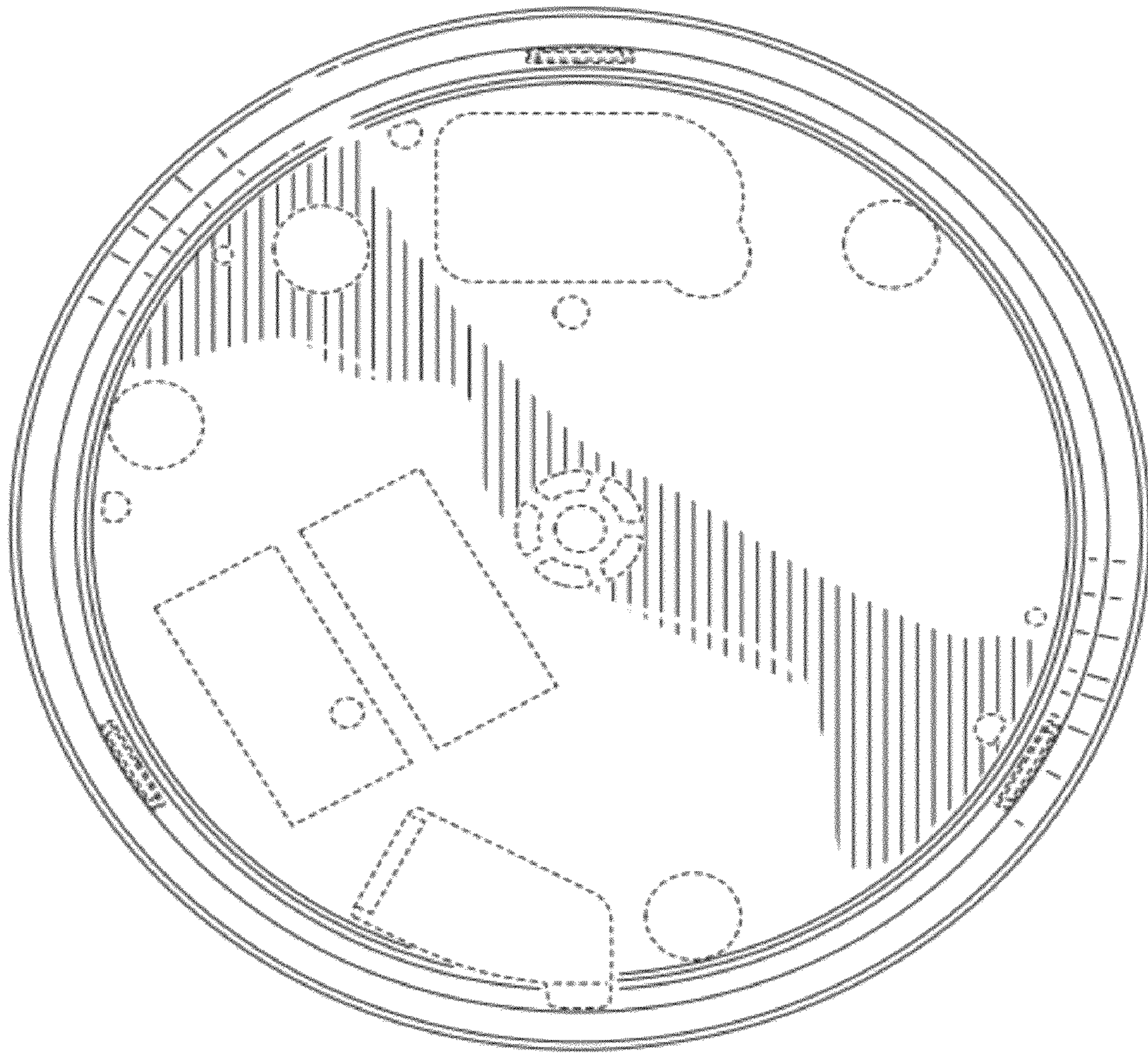


FIG. 7

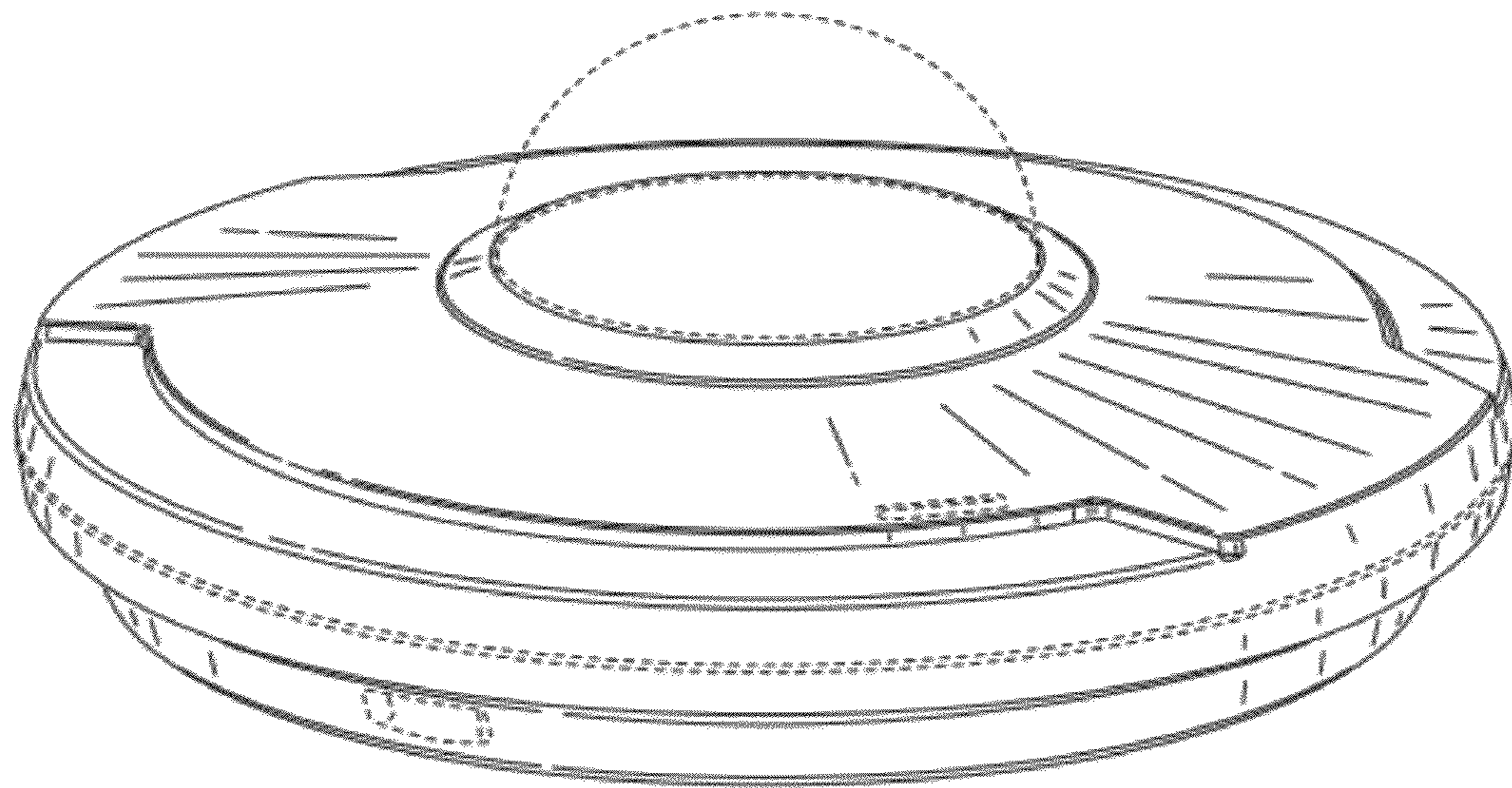


FIG. 8

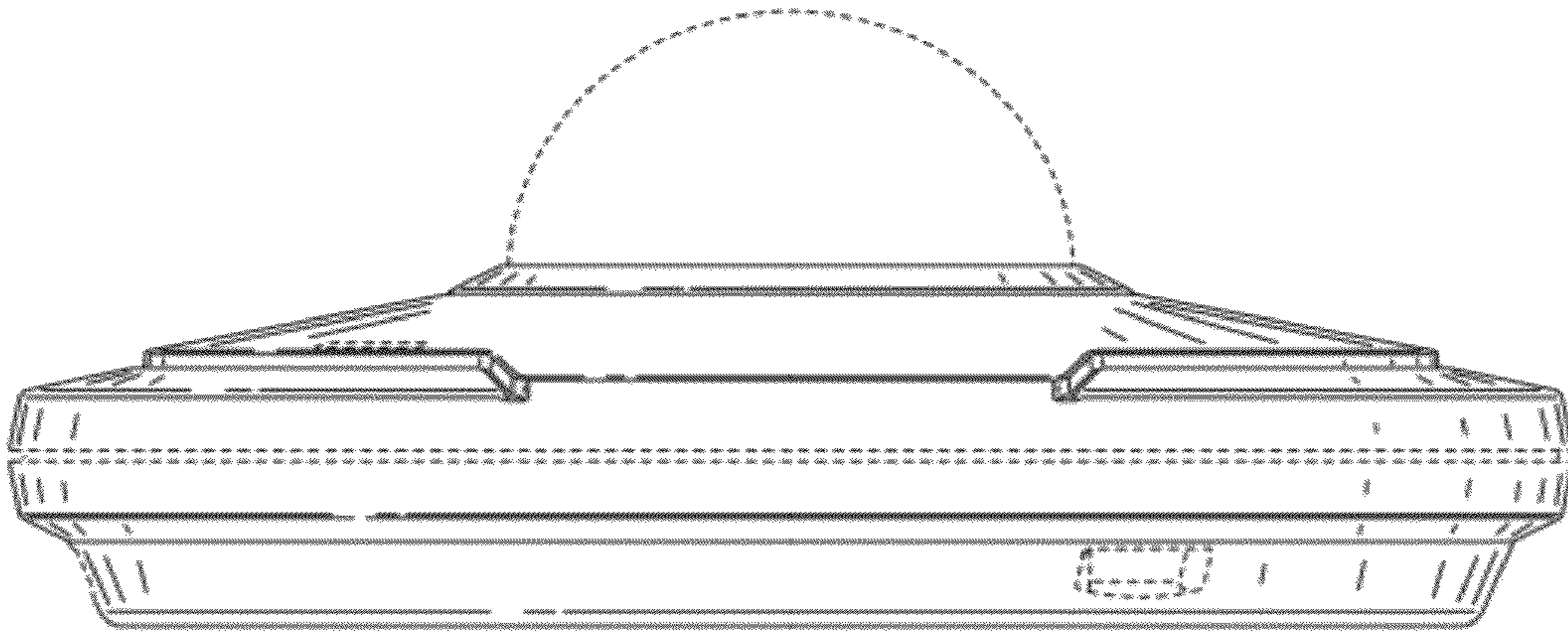


FIG. 9

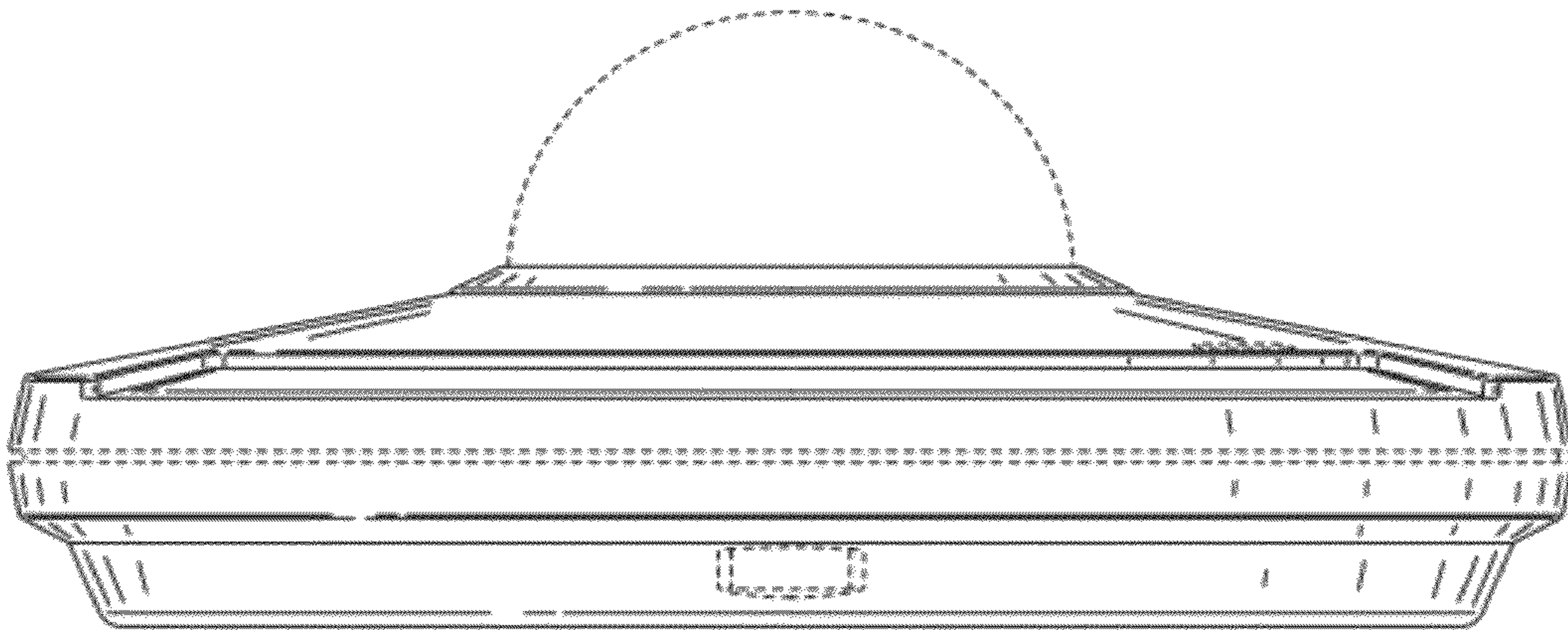


FIG. 10

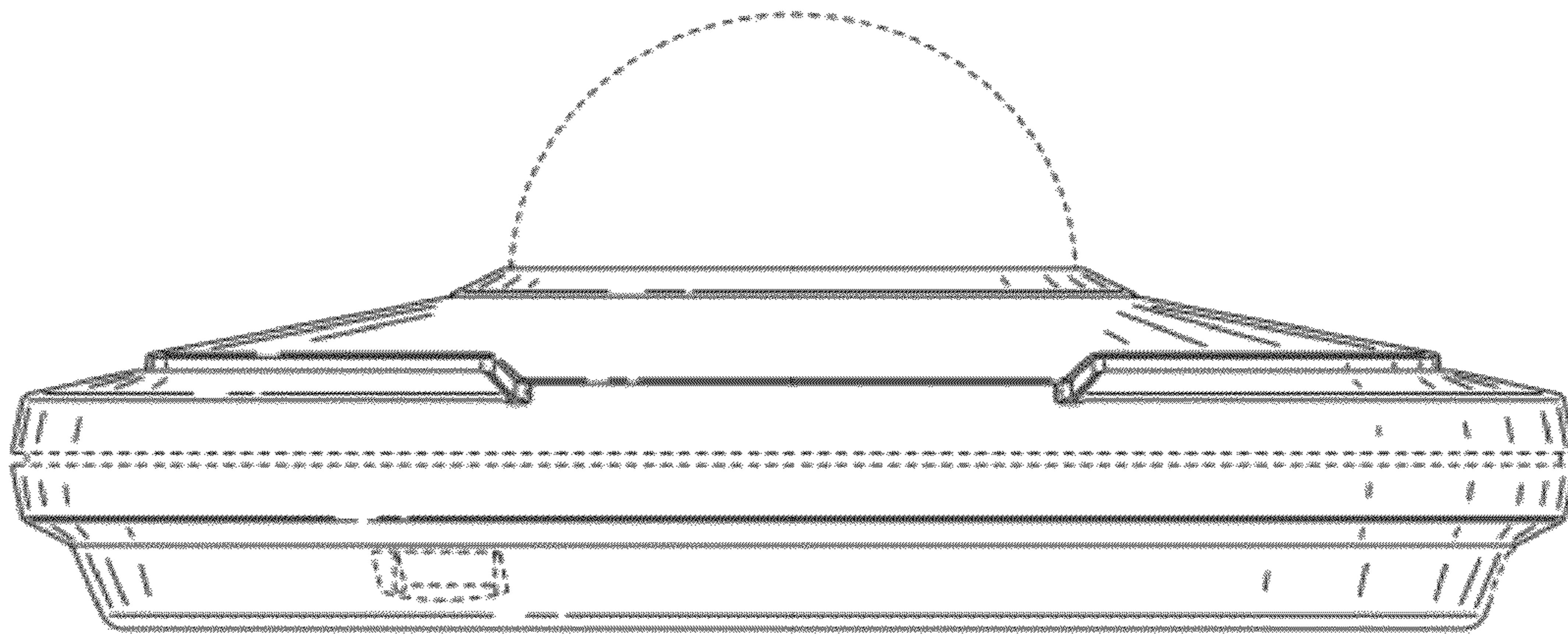


FIG. 11

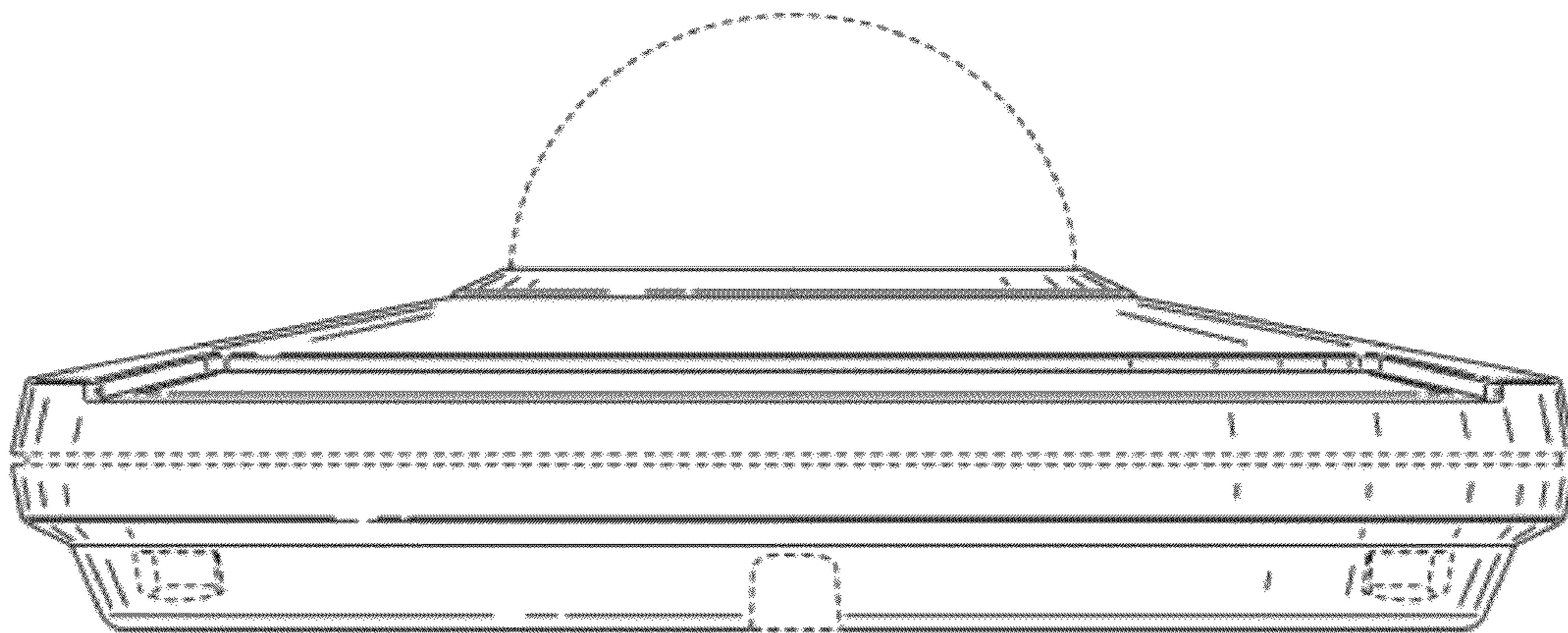


FIG. 12

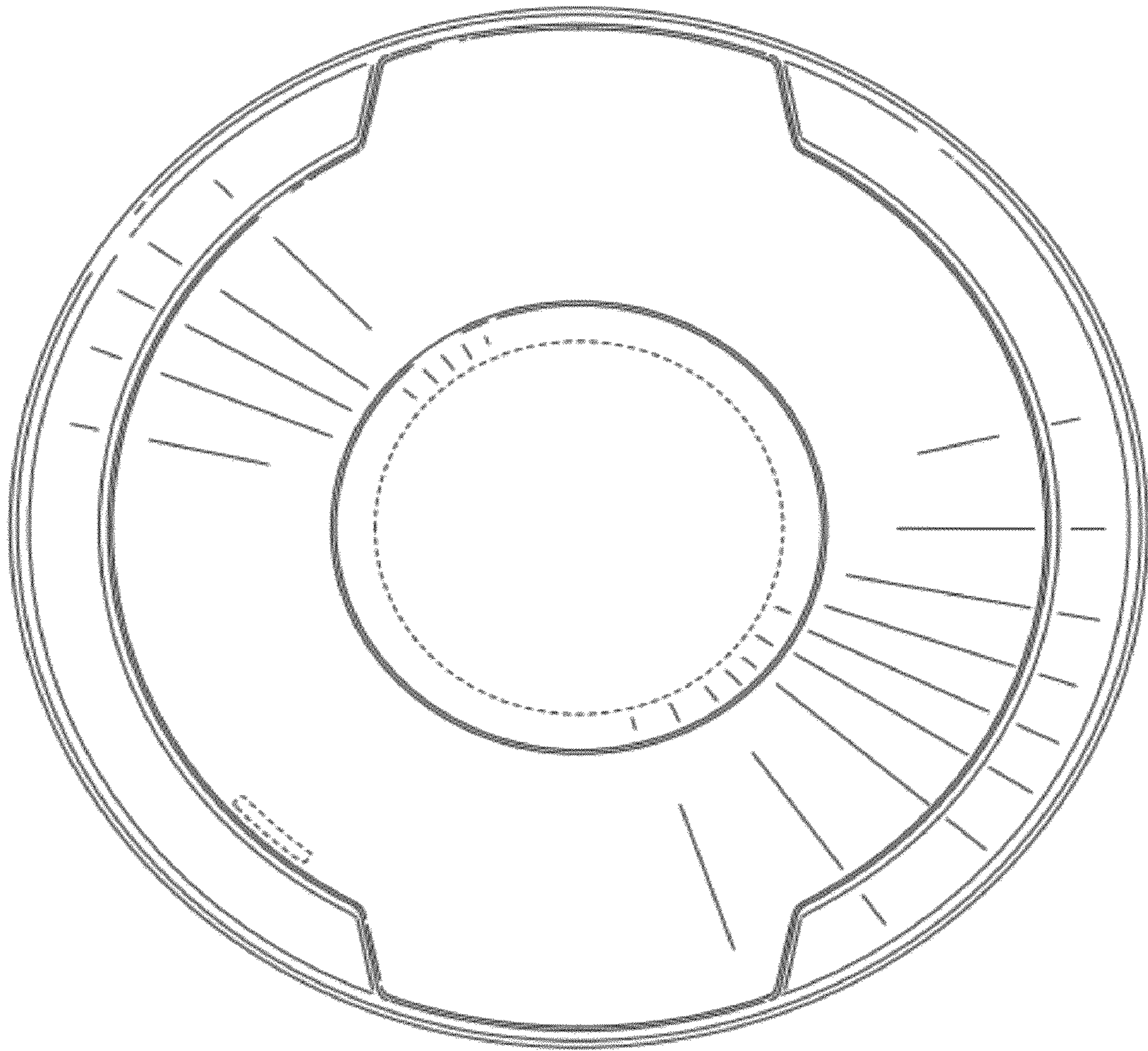


FIG. 13

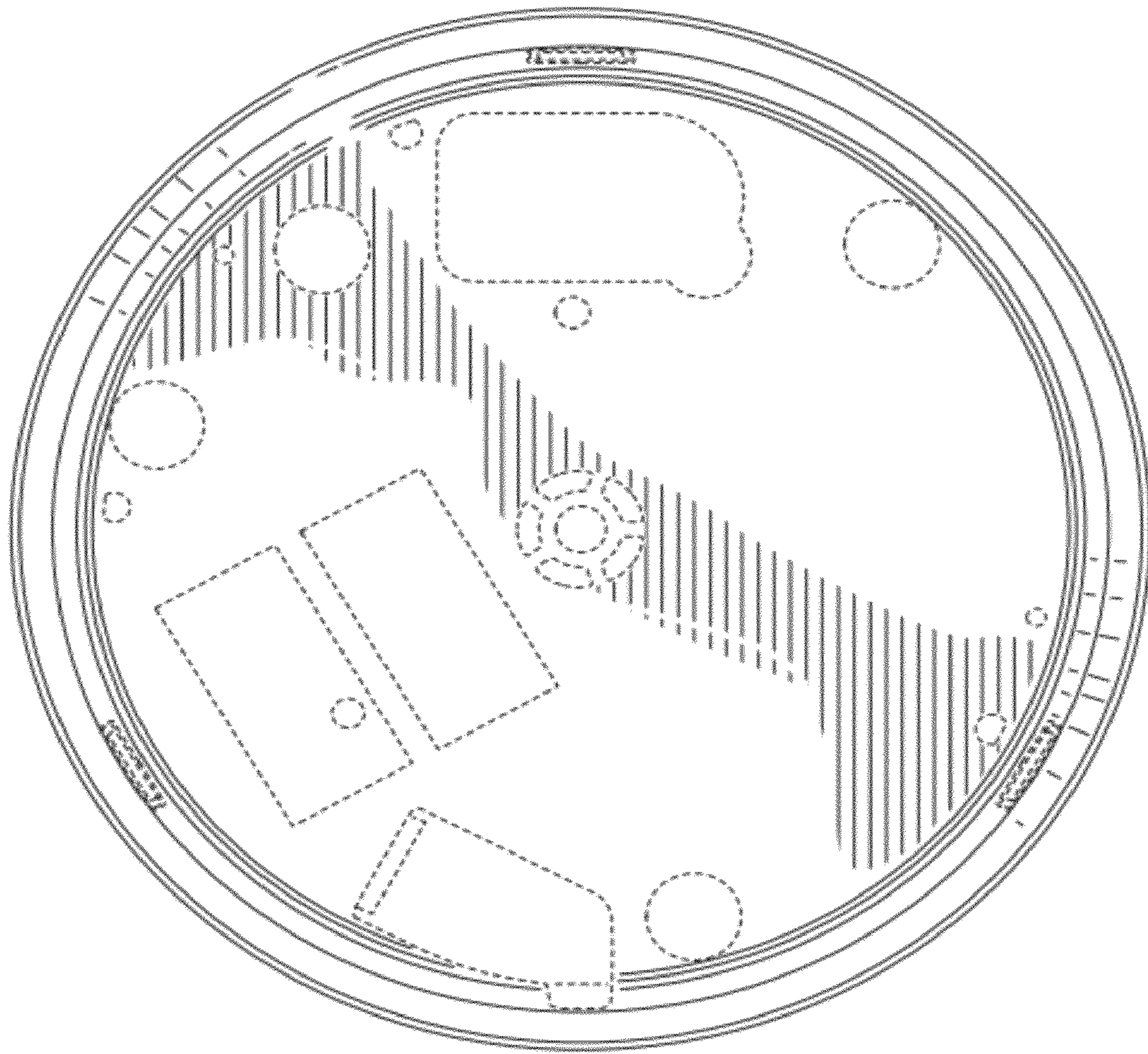


FIG. 14