

US00D657409S

(12) **United States Design Patent**
Miyashita

(10) **Patent No.:** **US D657,409 S**
(45) **Date of Patent:** **** Apr. 10, 2012**

(54) **VIDEO CAMERA**

(75) Inventor: **Shin Miyashita**, Tokyo (JP)

(73) Assignee: **Sony Corporation**, Tokyo (JP)

(**) Term: **14 Years**

(21) Appl. No.: **29/371,609**

(22) Filed: **May 16, 2011**

(30) **Foreign Application Priority Data**

Nov. 16, 2010 (JP) D2010-027587

(51) **LOC (9) Cl.** **16-01**

(52) **U.S. Cl.** **D16/203**

(58) **Field of Classification Search** D16/200-205,
D16/208, 218; 348/143, 151, 373-376; 396/427,
396/535-541

See application file for complete search history.

(56) **References Cited**

U.S. PATENT DOCUMENTS

5,032,919 A * 7/1991 Randmae 348/374
5,221,964 A * 6/1993 Chamberlain et al. 348/373
D400,202 S 10/1998 Kikutani

D447,500 S * 9/2001 Funato D16/202
D467,951 S * 12/2002 Tanaka D16/202
6,783,286 B2 * 8/2004 Maeda et al. 396/427
6,809,773 B1 * 10/2004 Watarai et al. 348/373
D550,265 S * 9/2007 Goto D16/202
D586,834 S * 2/2009 Andrews et al. D16/203

* cited by examiner

Primary Examiner — Adir Aronovich

(74) *Attorney, Agent, or Firm* — Rader, Fishman & Grauer
PLLC

(57) **CLAIM**

The ornamental design for a video camera, as shown and described.

DESCRIPTION

FIG. 1 is a perspective view of a video camera showing my new design;

FIG. 2 is a front elevational view thereof;

FIG. 3 is a rear elevational view thereof;

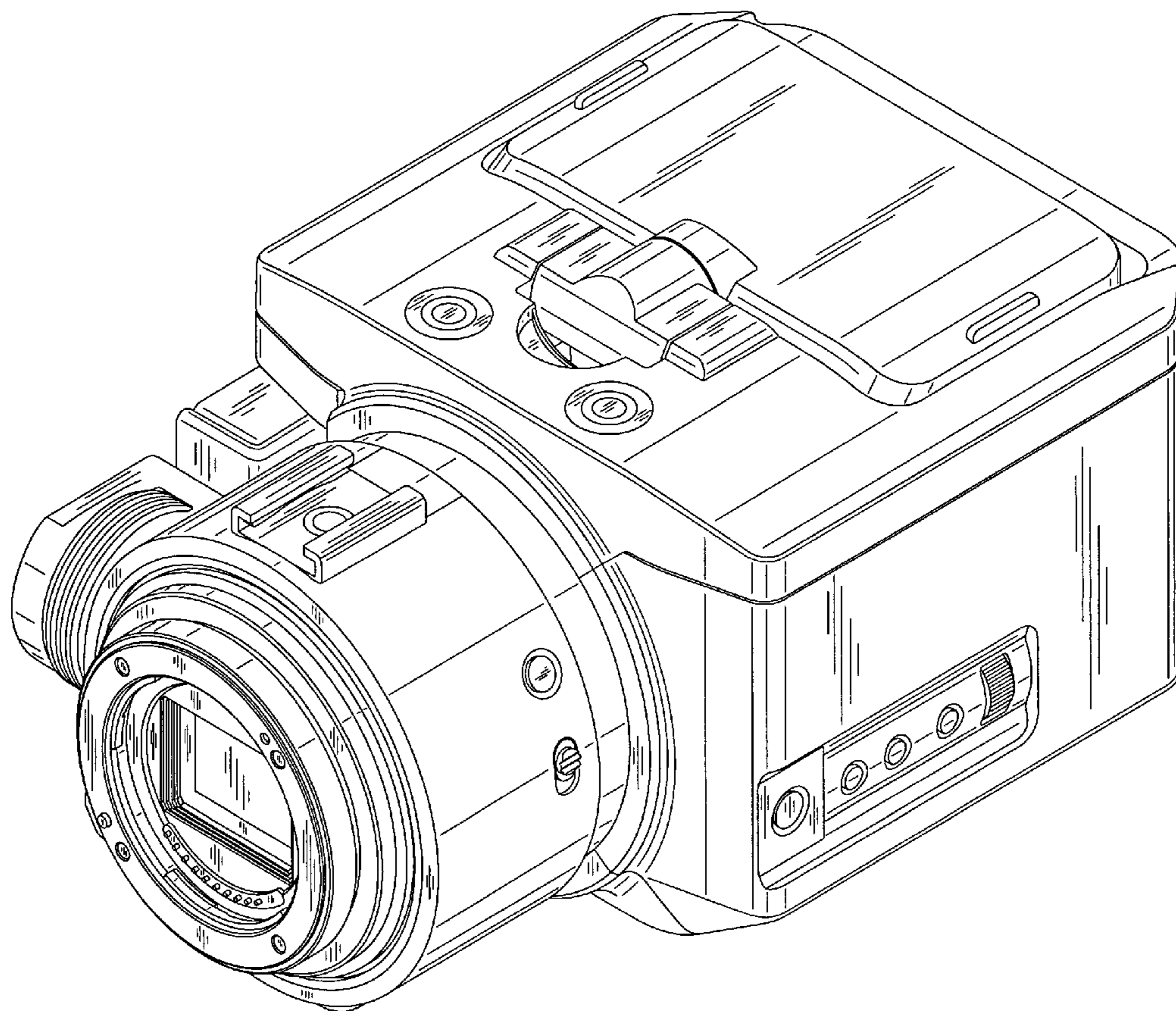
FIG. 4 is a left side elevational view thereof;

FIG. 5 is a right side elevational view thereof;

FIG. 6 is a top plan view thereof; and,

FIG. 7 is a bottom plan view thereof.

1 Claim, 6 Drawing Sheets



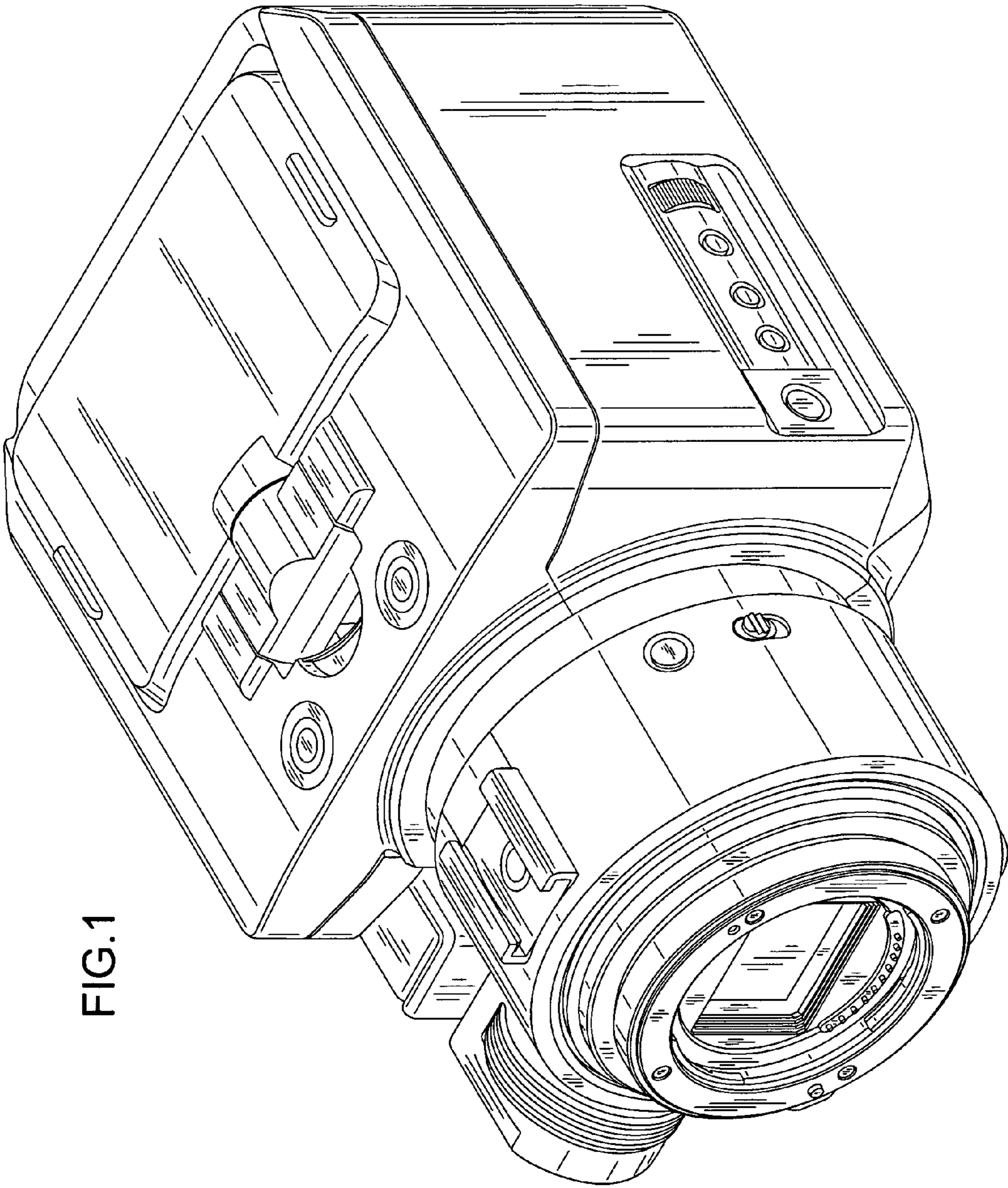


FIG.1

FIG.2

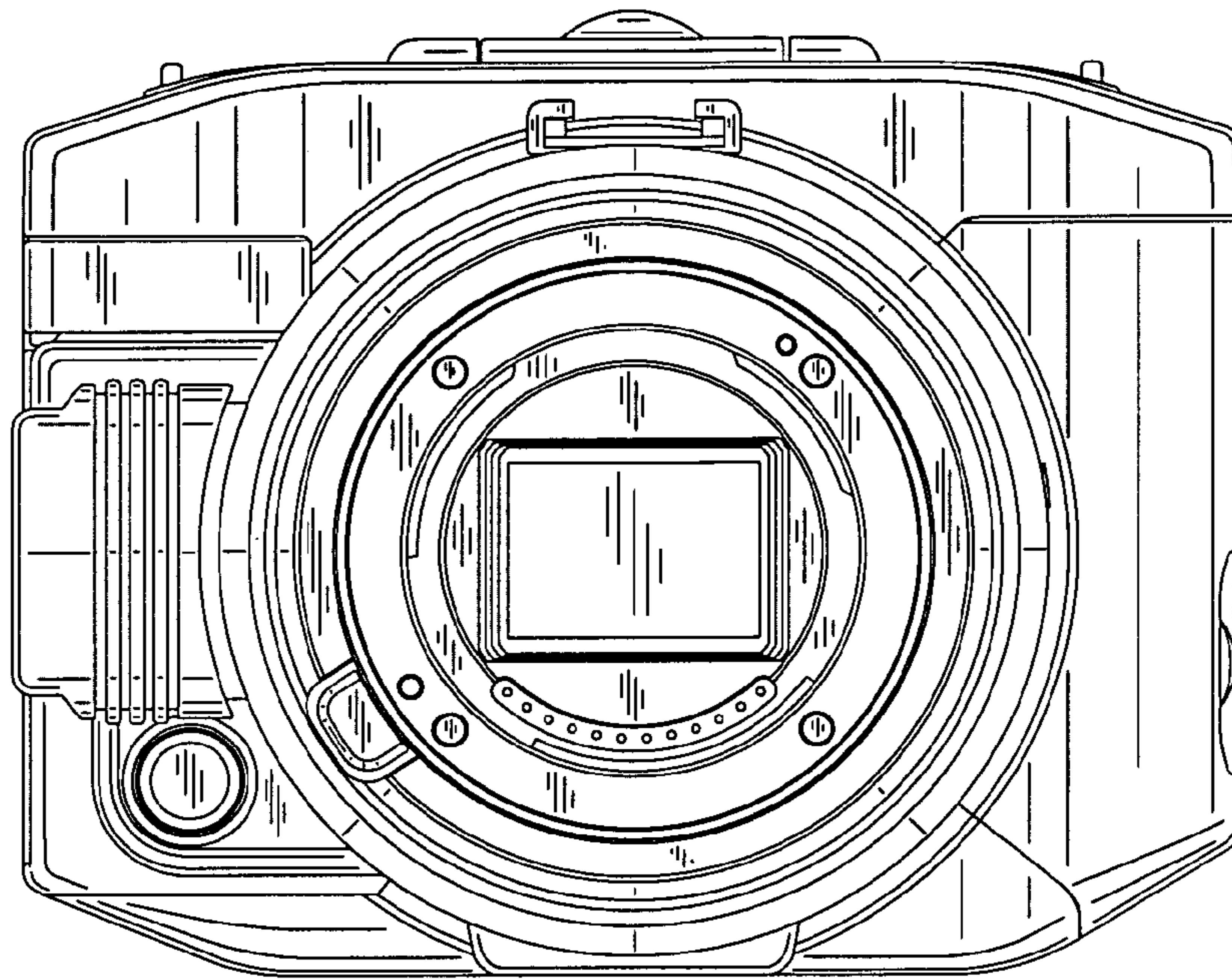


FIG.3

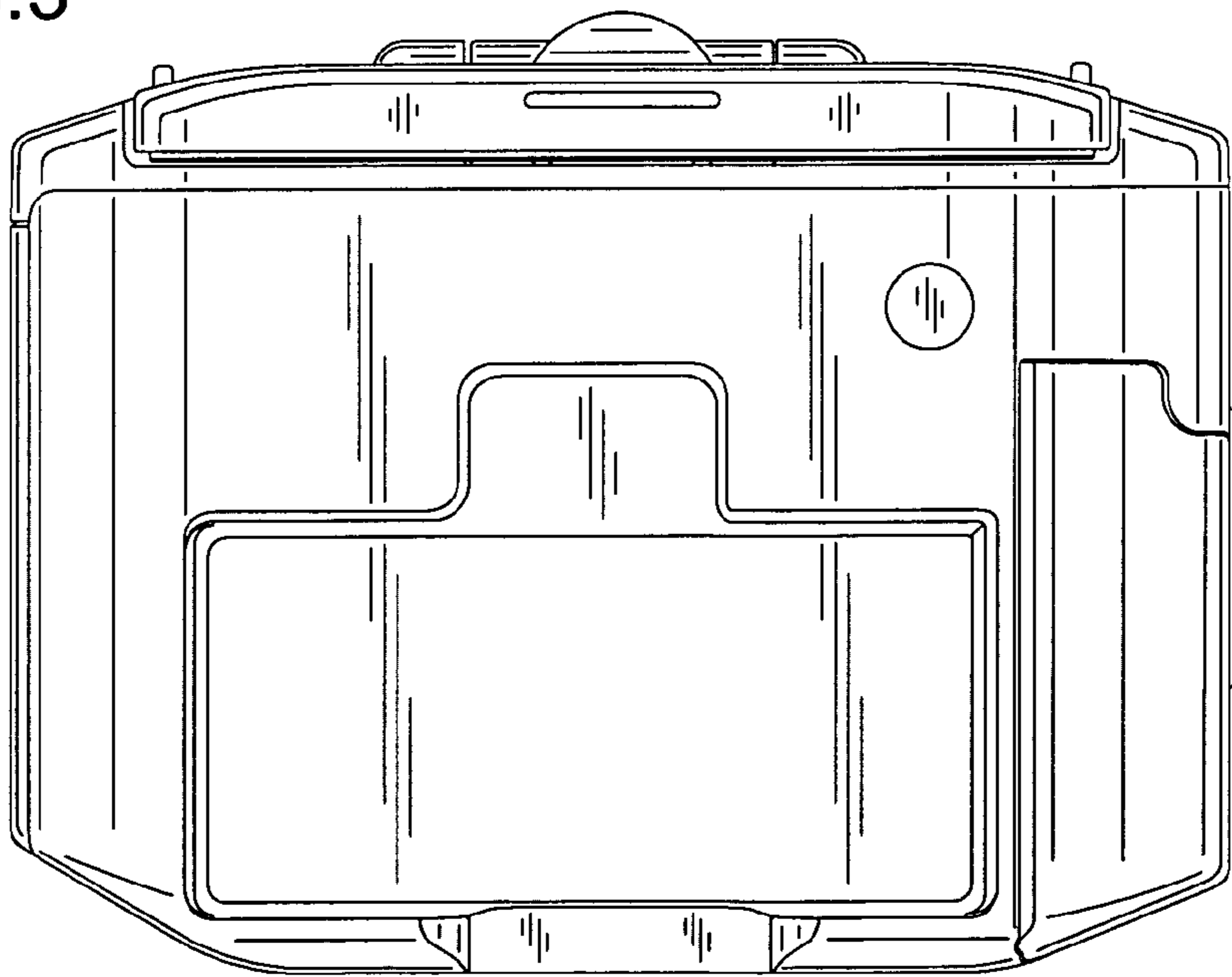


FIG.4

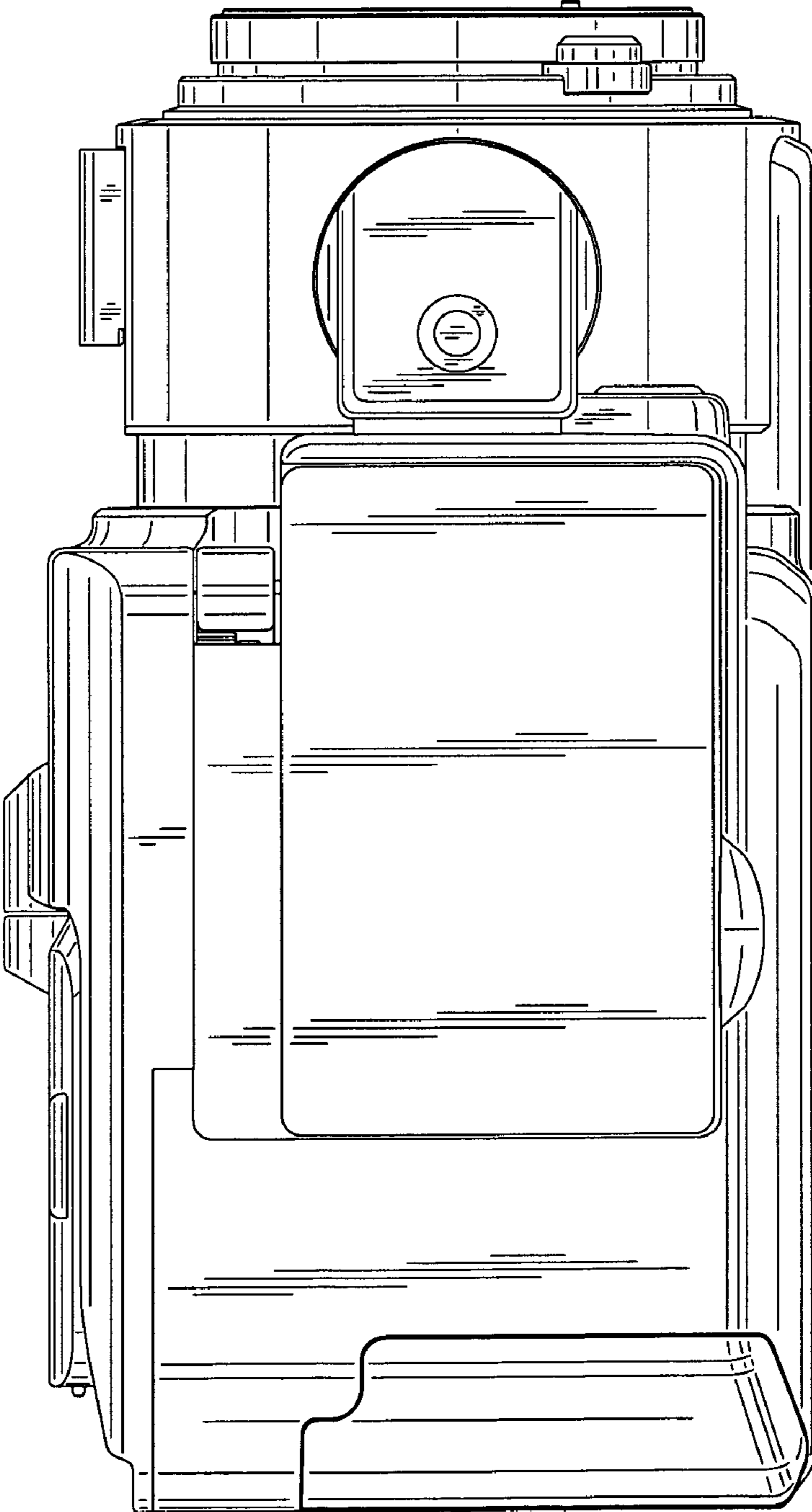


FIG. 5

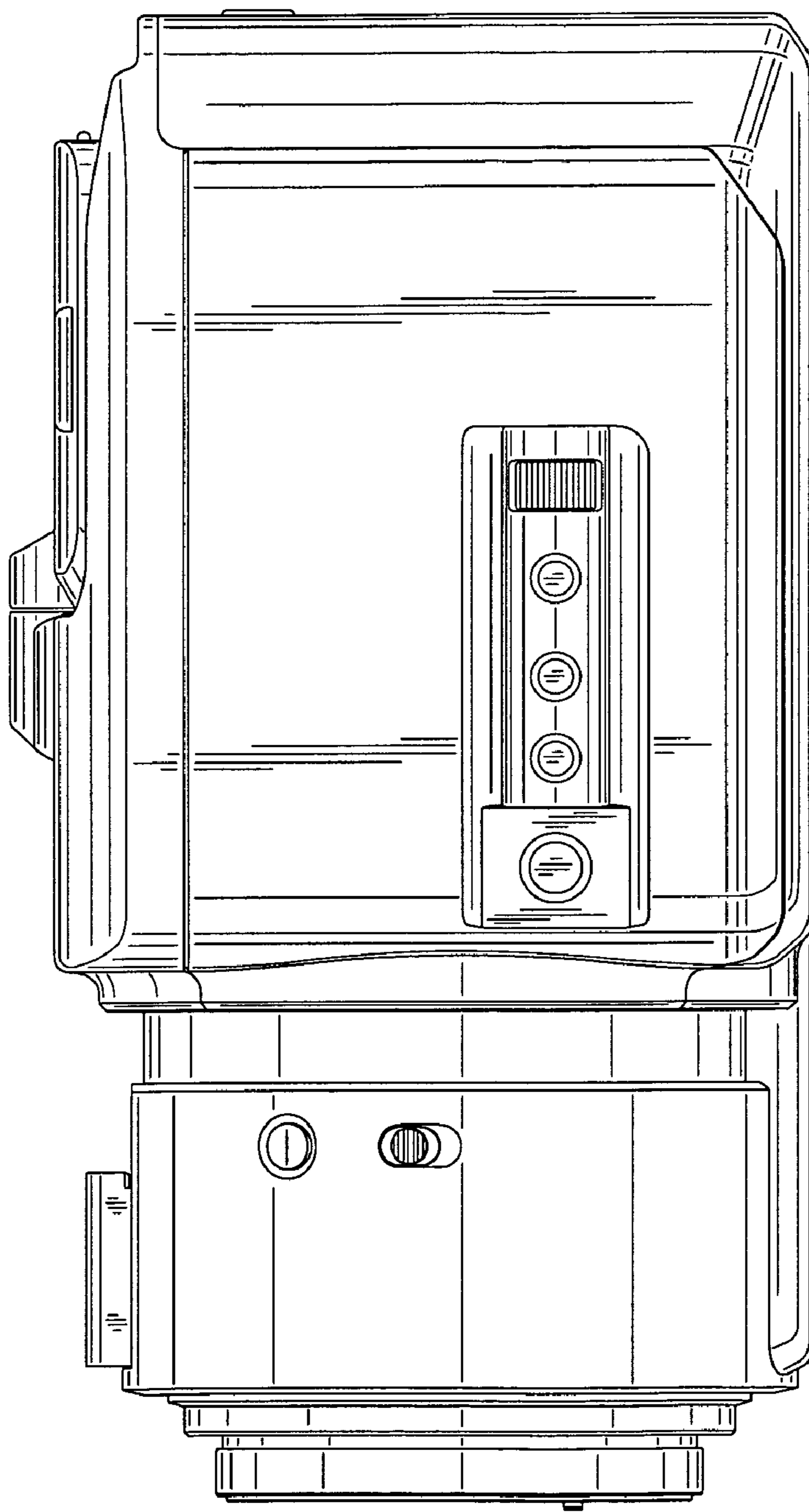


FIG.6

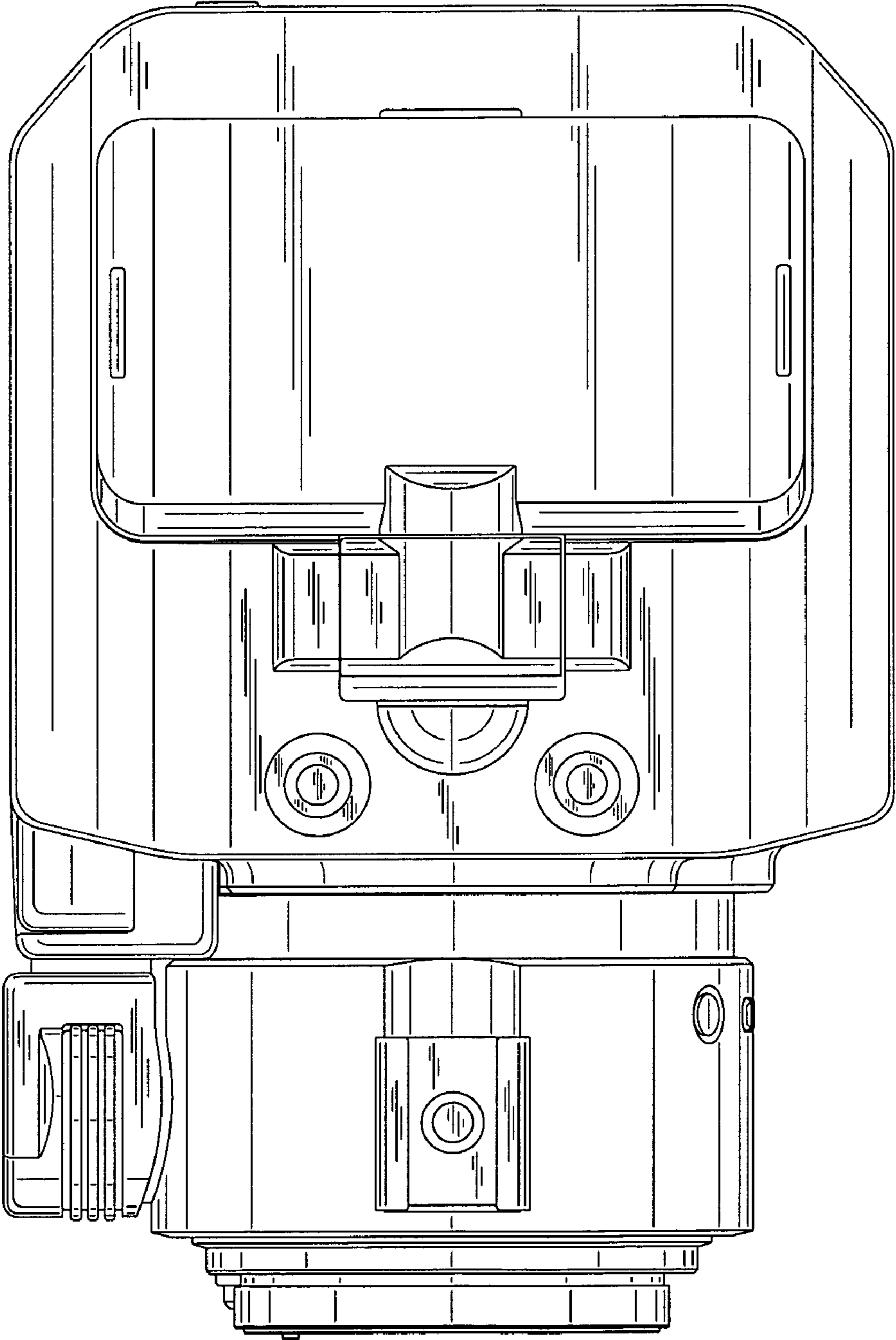


FIG.7

