



US00D657408S

(12) **United States Design Patent**
Tainaka

(10) **Patent No.:** **US D657,408 S**
(45) **Date of Patent:** **** Apr. 10, 2012**

(54) **DIGITAL CAMERA BODY OF LENS REPLACING TYPE**

(75) Inventor: **Daisuke Tainaka**, Hachioji (JP)

(73) Assignee: **Olympus Imaging Corp.**, Tokyo (JP)

(**) Term: **14 Years**

(21) Appl. No.: **29/383,972**

(22) Filed: **Jan. 25, 2011**

(30) **Foreign Application Priority Data**

Dec. 24, 2010 (JP) 2010-030887

(51) **LOC (9) Cl.** **16-01**

(52) **U.S. Cl.** **D16/202**

(58) **Field of Classification Search** D16/200,
D16/202, 204, 206, 218; 348/373-376;
396/535-541

See application file for complete search history.

(56) **References Cited**

U.S. PATENT DOCUMENTS

D444,161 S * 6/2001 Nakamura D16/202
D448,396 S * 9/2001 Miyazawa D16/218
D466,914 S * 12/2002 Kumakura D16/202

D514,610 S * 2/2006 Urushihata D16/202
D631,496 S * 1/2011 Tainaka D16/202
D640,301 S * 6/2011 Nohara D16/202
2010/0013986 A1* 1/2010 Yamamoto 348/375

* cited by examiner

Primary Examiner — Adir Aronovich

(74) *Attorney, Agent, or Firm* — Holtz, Holtz, Goodman & Chick, PC

(57) **CLAIM**

The ornamental design for a digital camera body of lens replacing type, as shown and described.

DESCRIPTION

FIG. 1 is a front, top and right side perspective view of a digital camera body of lens replacing type showing my new design;

FIG. 2 is a front elevational view thereof;

FIG. 3 is a rear elevational view thereof;

FIG. 4 is a top plan view thereof;

FIG. 5 is a bottom plan view thereof;

FIG. 6 is a right side elevational view thereof;

FIG. 7 is a left side elevational view thereof; and,

FIG. 8 is a front elevational view in a state where a stroboscope thereof is popped up.

1 Claim, 7 Drawing Sheets

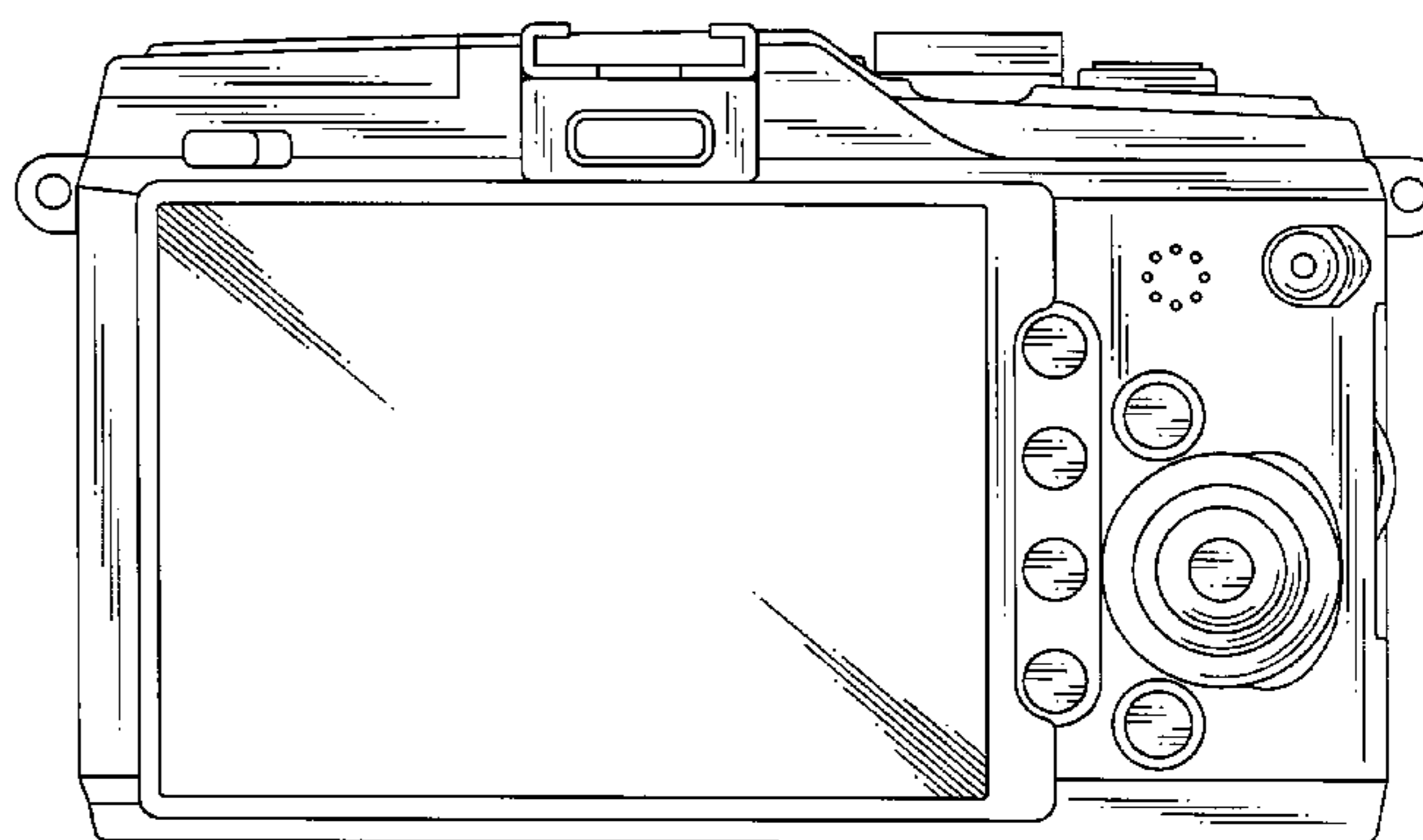
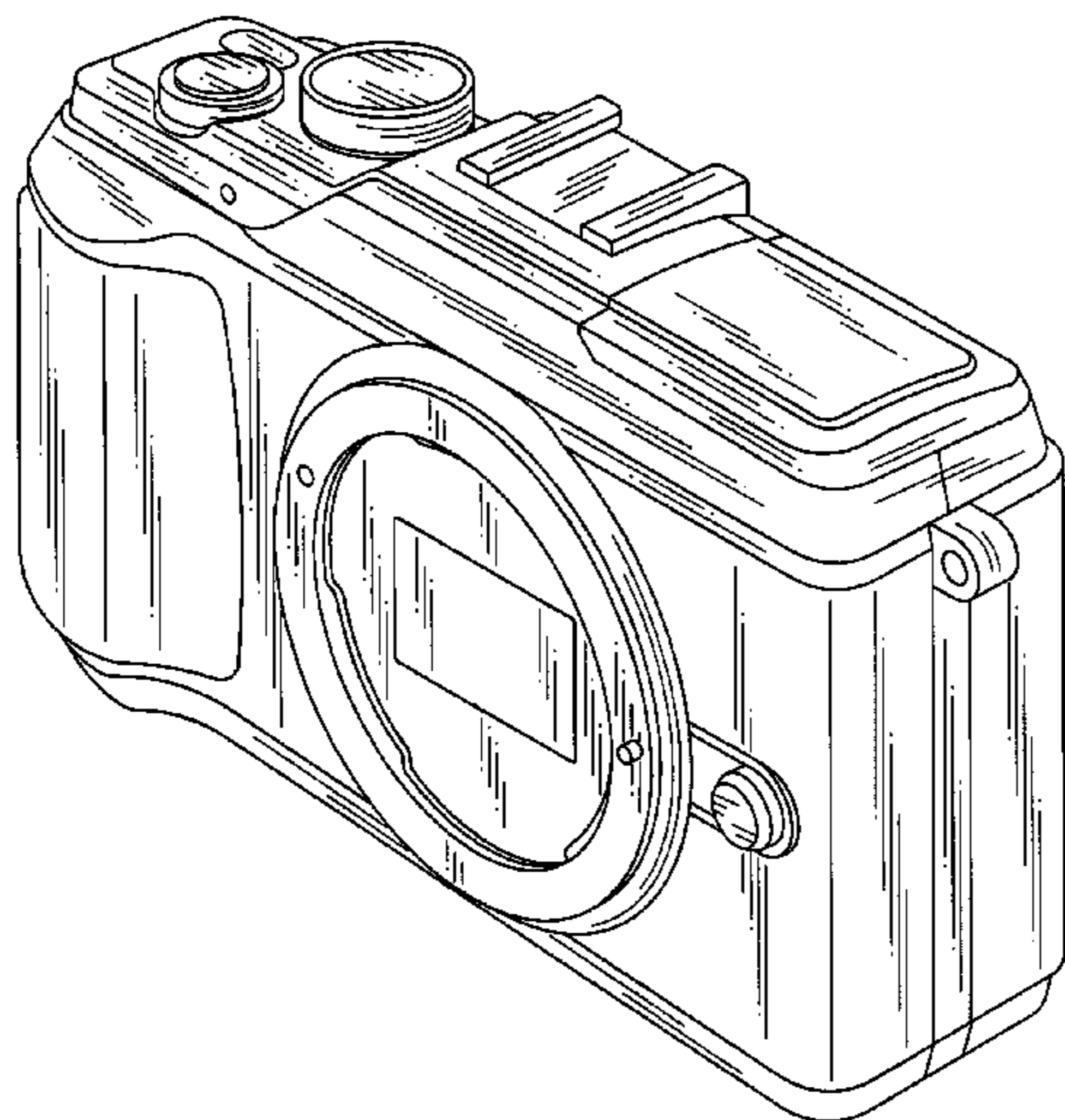


FIG.1

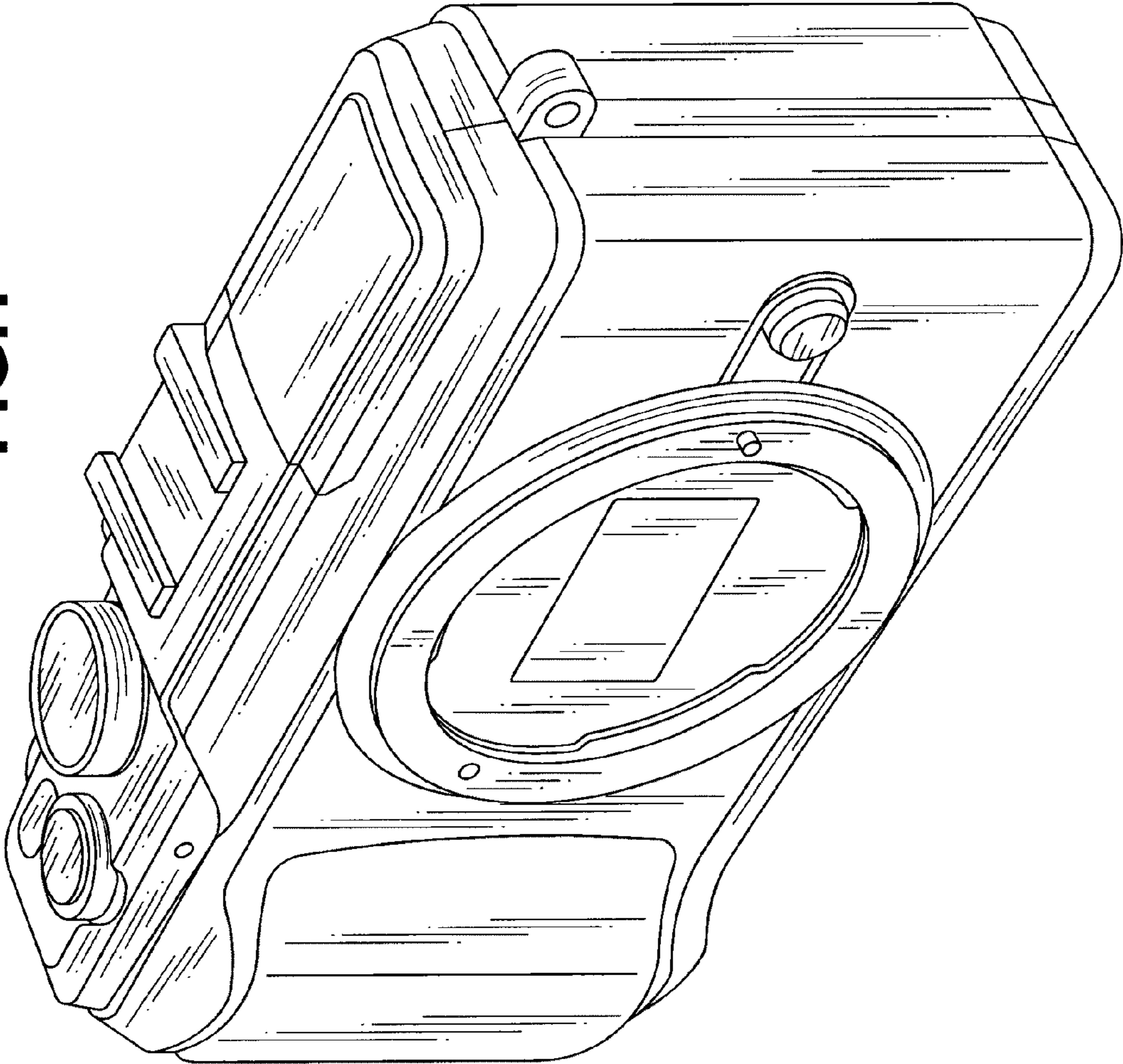


FIG.2

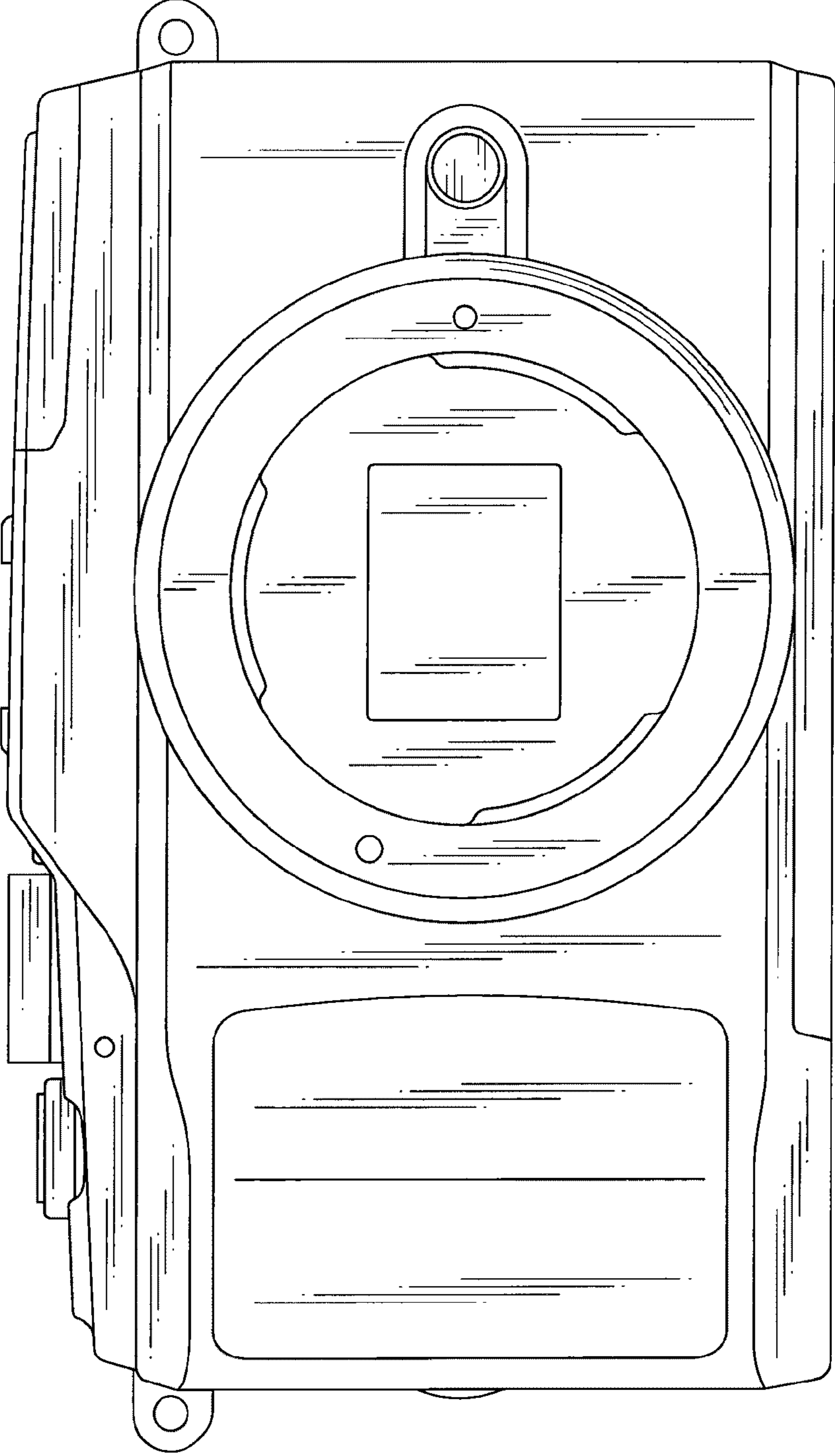


FIG. 3

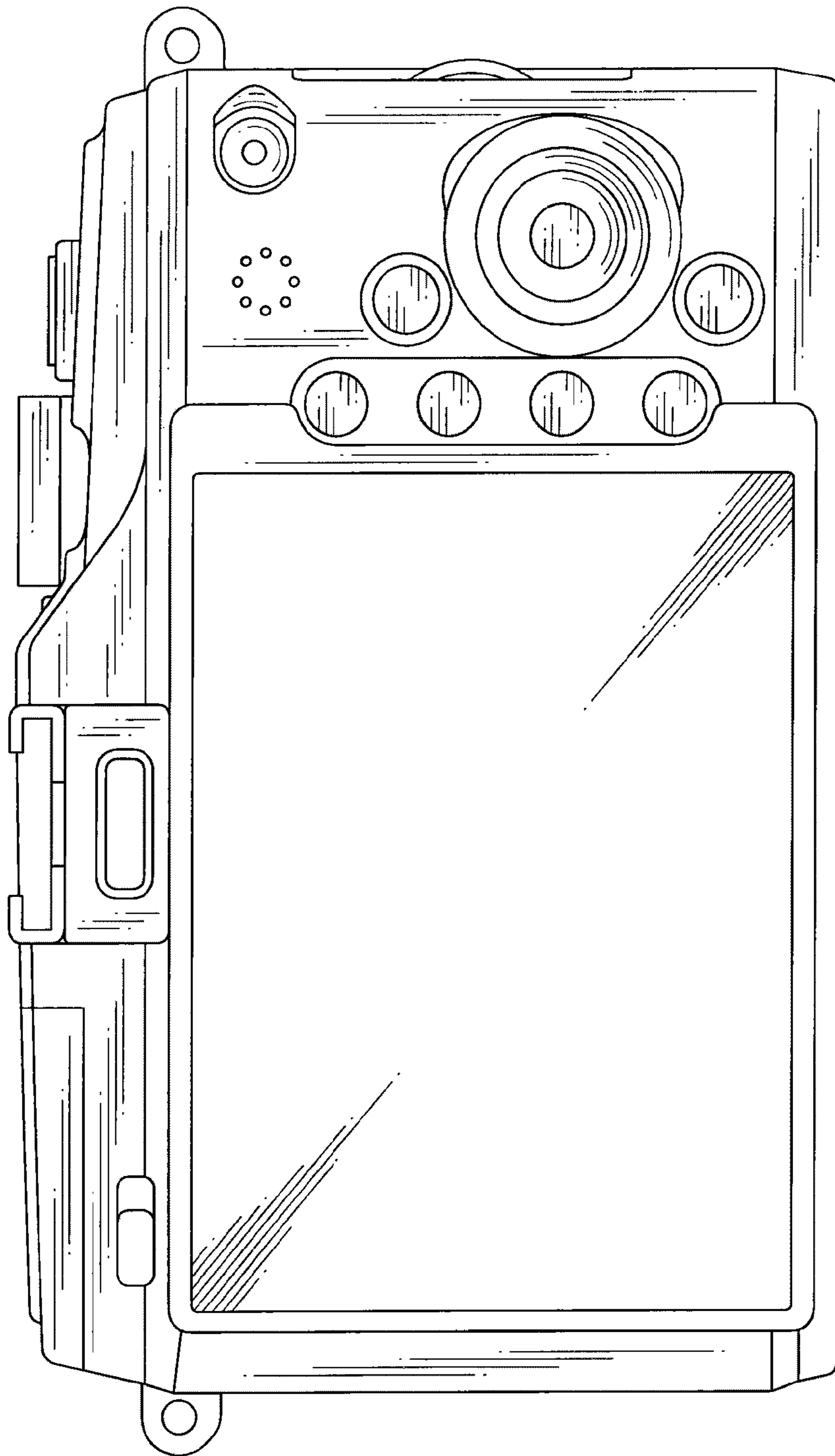


FIG.4

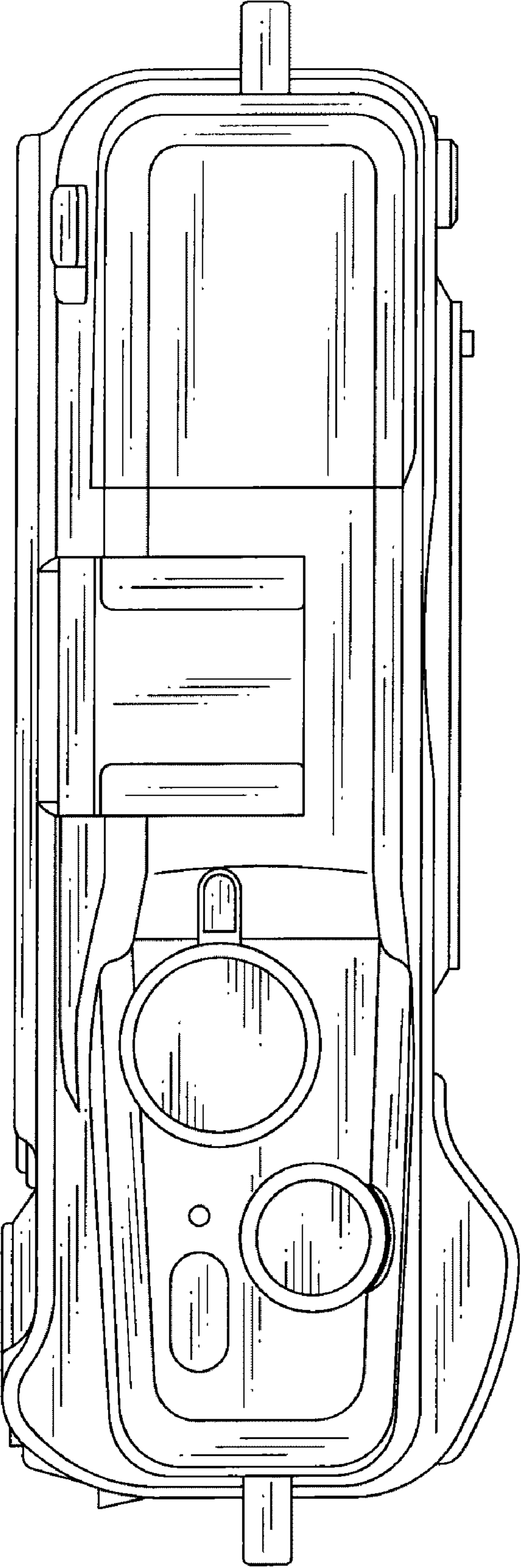


FIG. 5

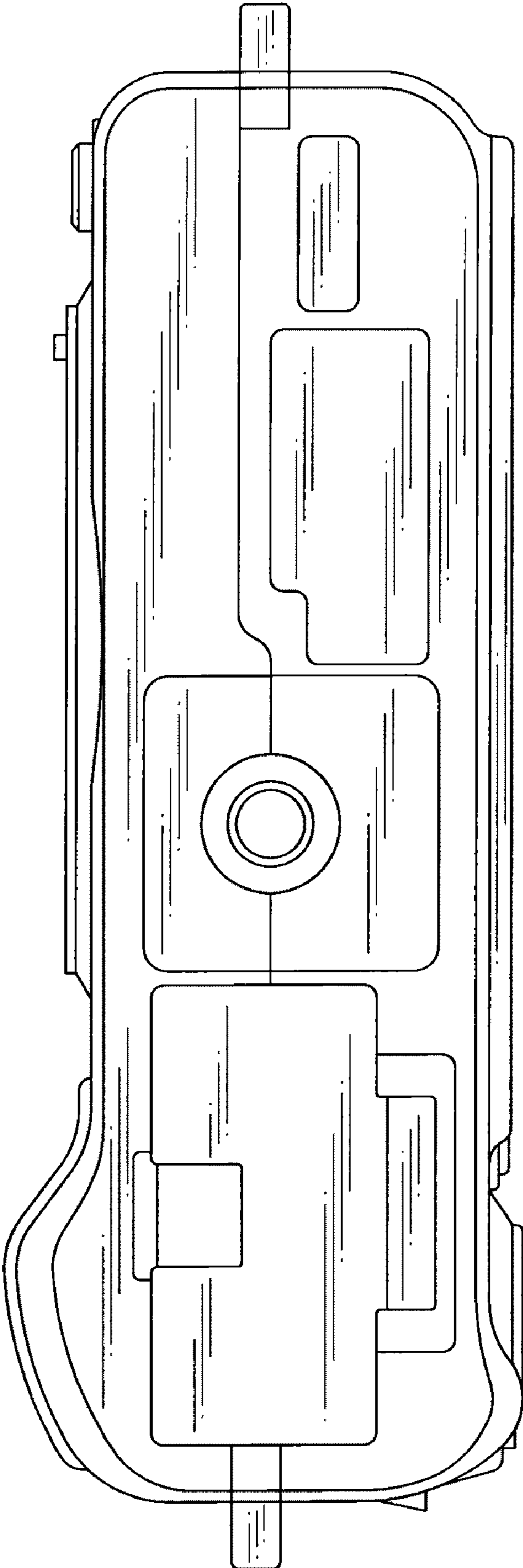


FIG.6

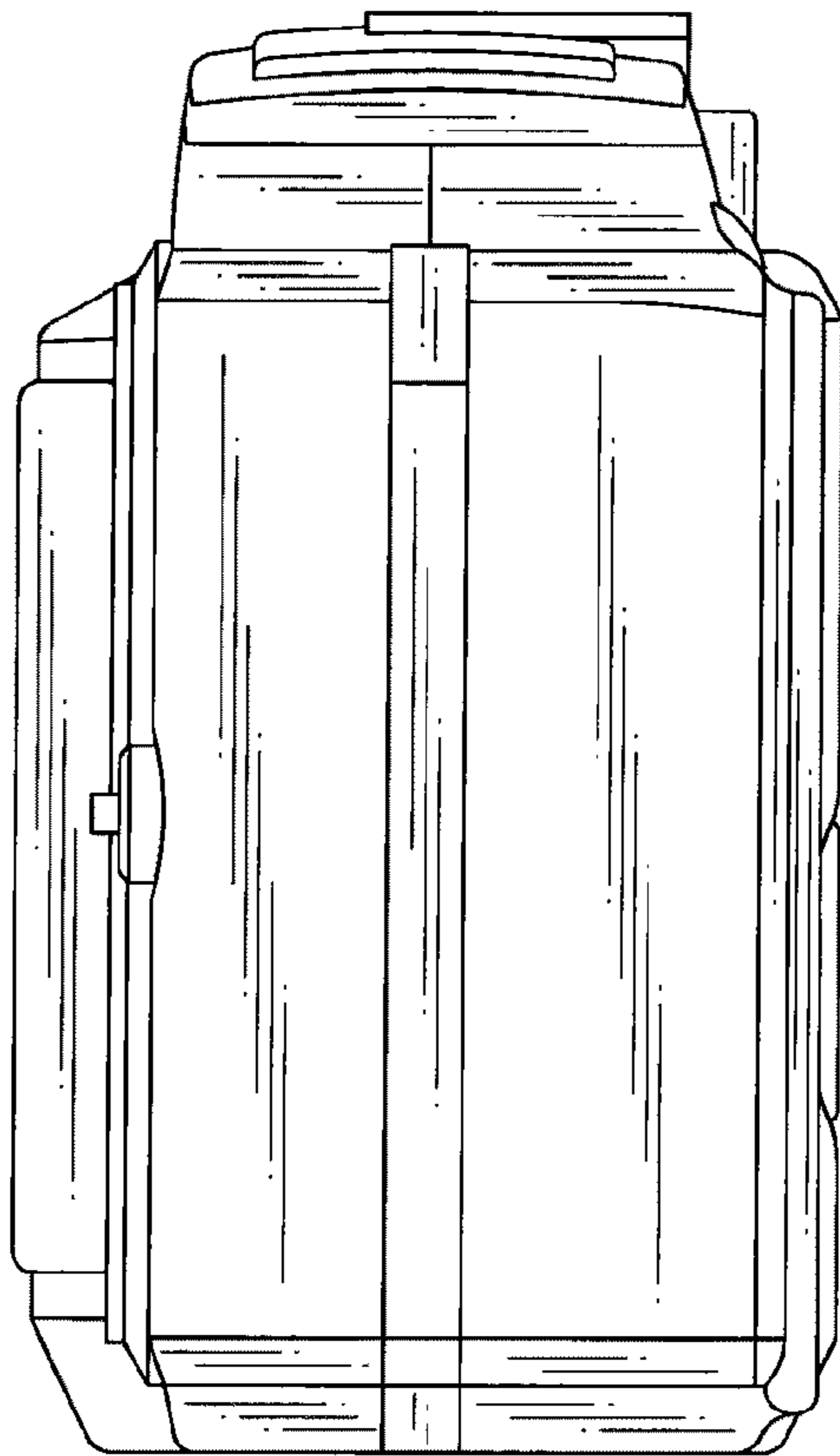


FIG.7

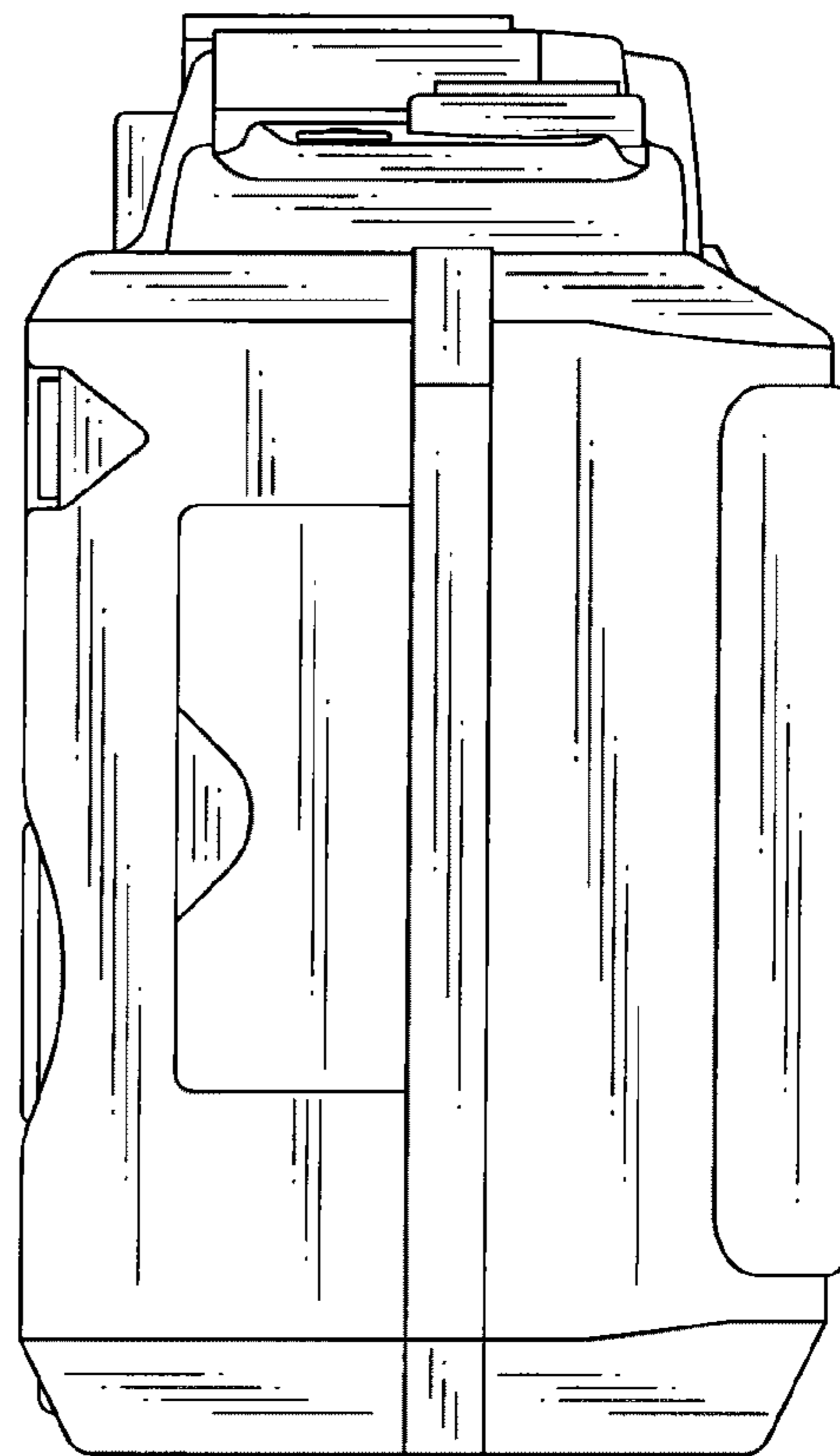


FIG.8

