



US00D657407S

(12) **United States Design Patent**
Okamoto et al.

(10) **Patent No.:** **US D657,407 S**

(45) **Date of Patent:** **** Apr. 10, 2012**

(54) **MICROSCOPE**

(75) Inventors: **Yasutoshi Okamoto**, Osaka (JP);
Akihiro Mochizuki, Osaka (JP); **Fumio Yamada**, Osaka (JP)

(73) Assignee: **Sanyo Electric Co., Ltd.**, Osaka (JP)

(**) Term: **14 Years**

(21) Appl. No.: **29/347,759**

(22) Filed: **May 19, 2010**

(30) **Foreign Application Priority Data**

Dec. 15, 2009 (JP) 2009-029092
Dec. 15, 2009 (JP) 2009-029093

(51) **LOC (9) Cl.** **16-06**

(52) **U.S. Cl.** **D16/131**

(58) **Field of Classification Search** D16/130,
D16/131, 221, 234; 359/383, 384, 385, 389,
359/390, 368, 370, 371, 372, 363, 388, 393,
359/391; 250/311; D24/172, 180, 232, 216,
D24/223; D18/4.4, 18

See application file for complete search history.

(56) **References Cited**

U.S. PATENT DOCUMENTS

3,765,745 A * 10/1973 Burboeck 359/393
D241,741 S * 10/1976 Armbruster D16/131
4,210,384 A * 7/1980 Meyer et al. 359/363
D257,358 S * 10/1980 Armbruster D16/131
D260,402 S * 8/1981 Hodgson D16/131
4,284,327 A * 8/1981 Kraft et al. 359/388
4,475,179 A * 10/1984 Geyer 369/44.13
4,552,033 A * 11/1985 Marzhauser 74/490.13
4,679,904 A * 7/1987 Kurihara 359/824
4,711,537 A * 12/1987 Schindl et al. 359/393
4,863,252 A * 9/1989 McCarthy et al. 359/376

D354,761 S * 1/1995 Komatsuzaki et al. D16/131
5,585,964 A * 12/1996 Schalz 359/368
6,018,415 A * 1/2000 Woo et al. 359/393
6,134,981 A * 10/2000 Novak et al. 74/490.09
6,181,471 B1 * 1/2001 Miyoshi 359/388
6,252,333 B1 * 6/2001 Iino et al. 310/323.17
6,339,498 B1 * 1/2002 Nishida et al. 359/361
6,920,803 B2 * 7/2005 Hasegawa 74/89.22
6,992,820 B2 * 1/2006 Abe et al. 359/388
7,321,462 B2 * 1/2008 Yamamoto 359/390
D596,655 S * 7/2009 Maerzhaeuser D16/131
7,576,912 B2 * 8/2009 Schutze et al. 359/391
D623,211 S * 9/2010 Oonuma et al. D16/131
7,791,796 B2 * 9/2010 Ue et al. 359/393
D625,749 S * 10/2010 Oonuma et al. D16/131
D630,660 S * 1/2011 Stoiakine D16/131
D632,323 S * 2/2011 Oonuma et al. D16/131
D633,537 S * 3/2011 Oonuma et al. D16/131
D633,538 S * 3/2011 Oonuma et al. D16/131
D636,005 S * 4/2011 Oonuma et al. D16/131
D638,046 S * 5/2011 Noda et al. D16/131

* cited by examiner

Primary Examiner — Paula Greene

(74) *Attorney, Agent, or Firm* — Rabin & Berdo, PC

(57) **CLAIM**

The ornamental design for a microscope, as shown and described.

DESCRIPTION

FIG. 1 is a front perspective view of a microscope showing our new design;
FIG. 2 is a rear perspective view thereof;
FIG. 3 is a front elevation view thereof;
FIG. 4 is a rear elevation view thereof;
FIG. 5 is a top plan view thereof;
FIG. 6 is a bottom plan view thereof;
FIG. 7 is a right side view thereof; and,
FIG. 8 is a left side view thereof.

1 Claim, 8 Drawing Sheets

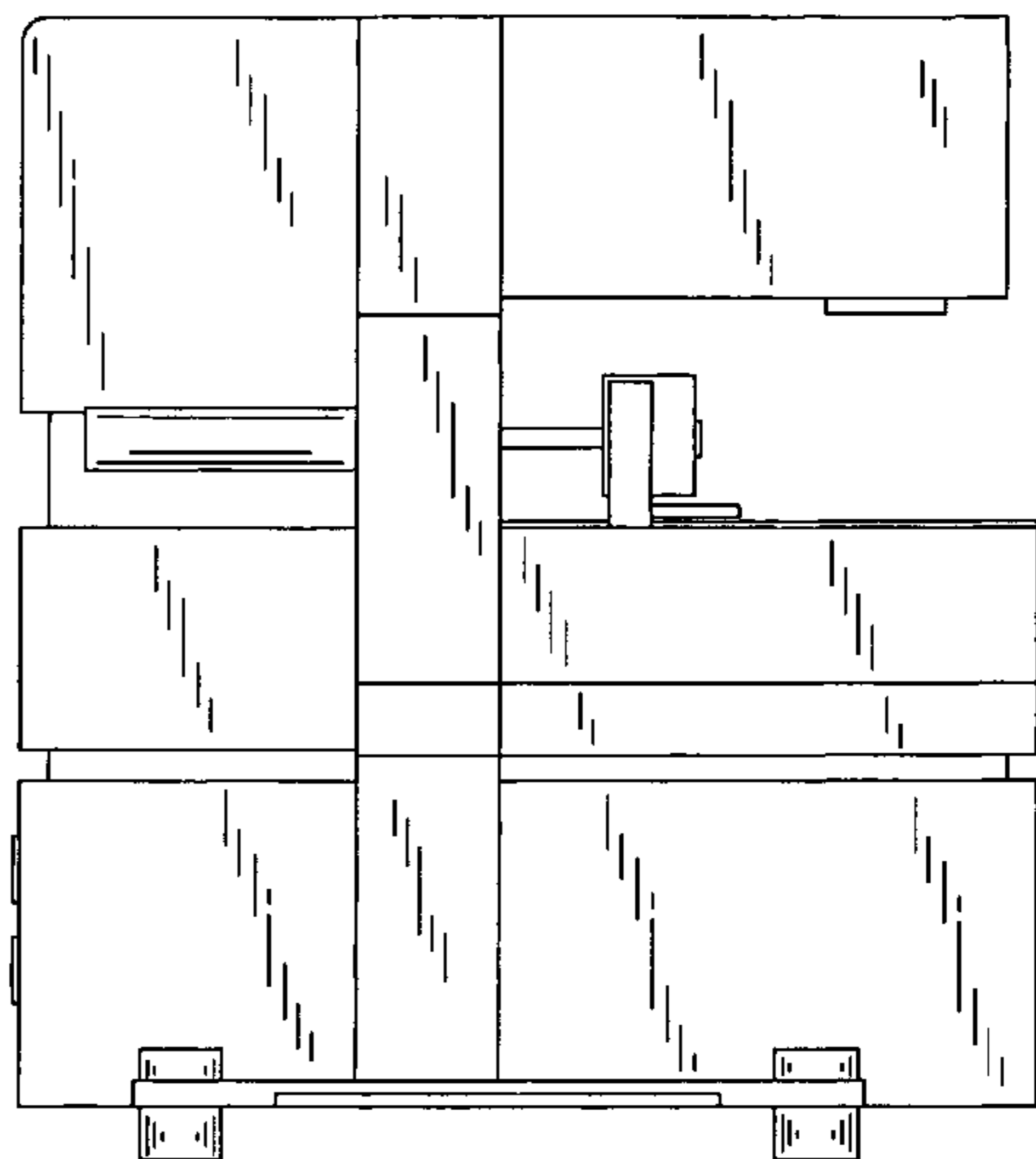
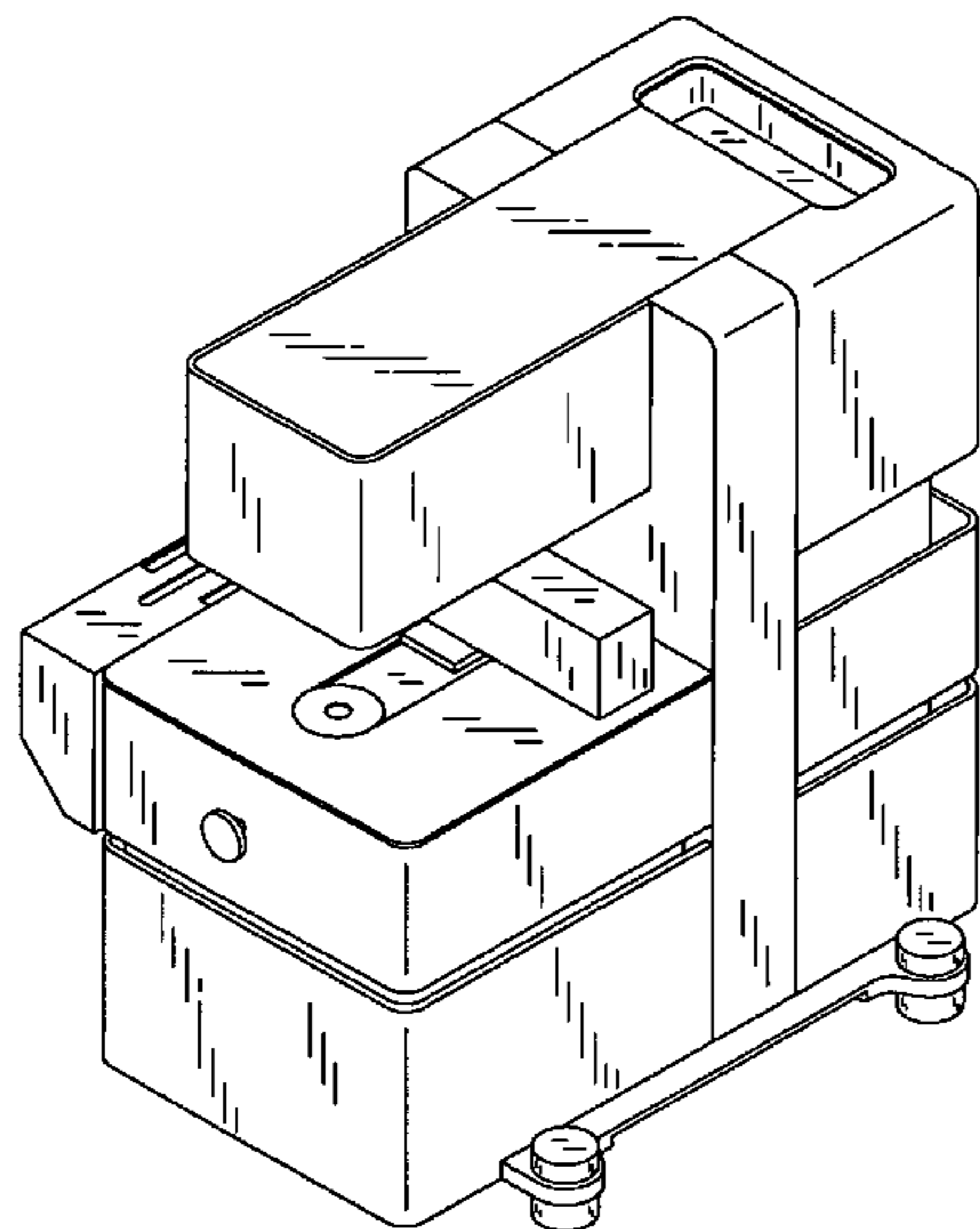


FIG. 1

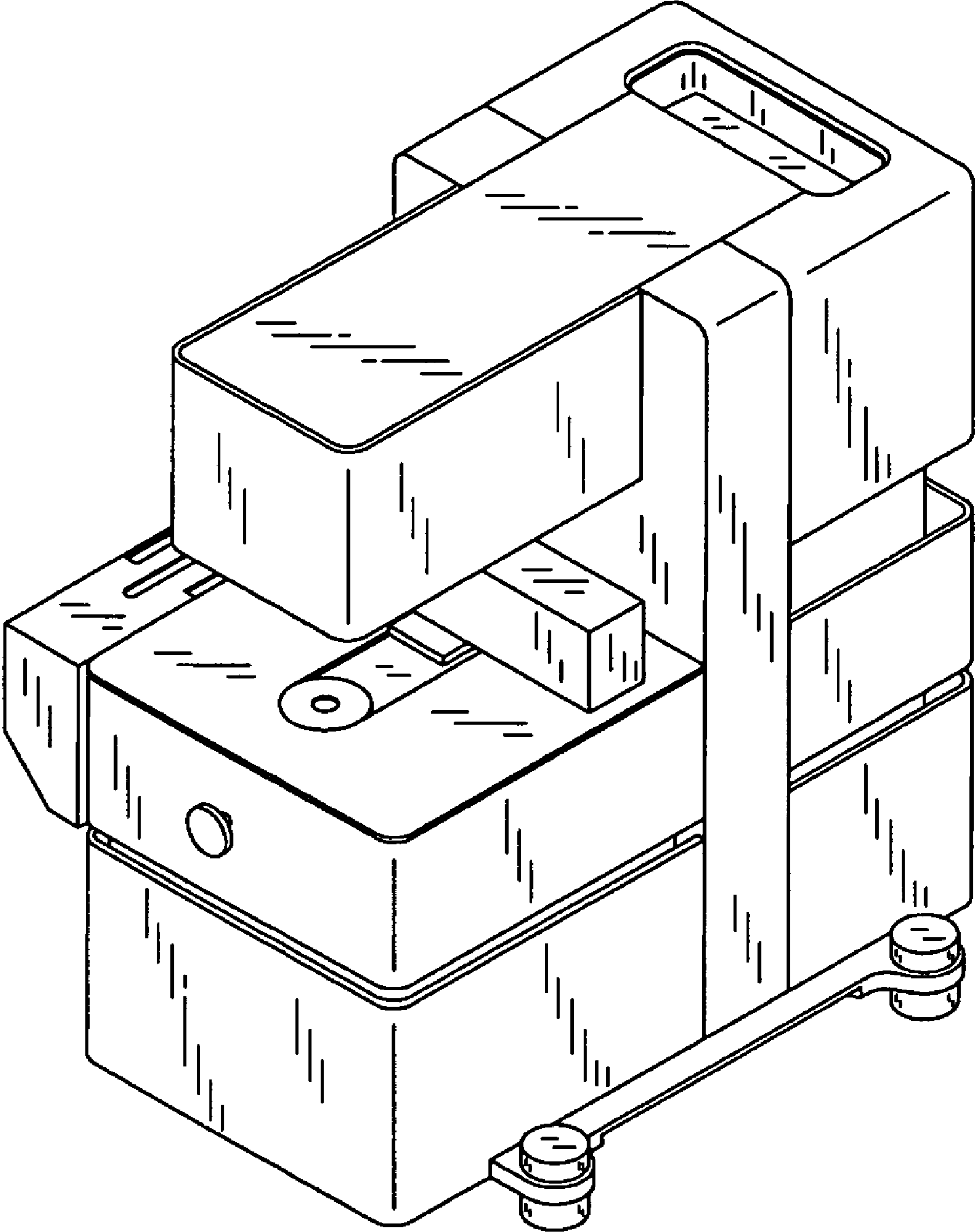


FIG. 2

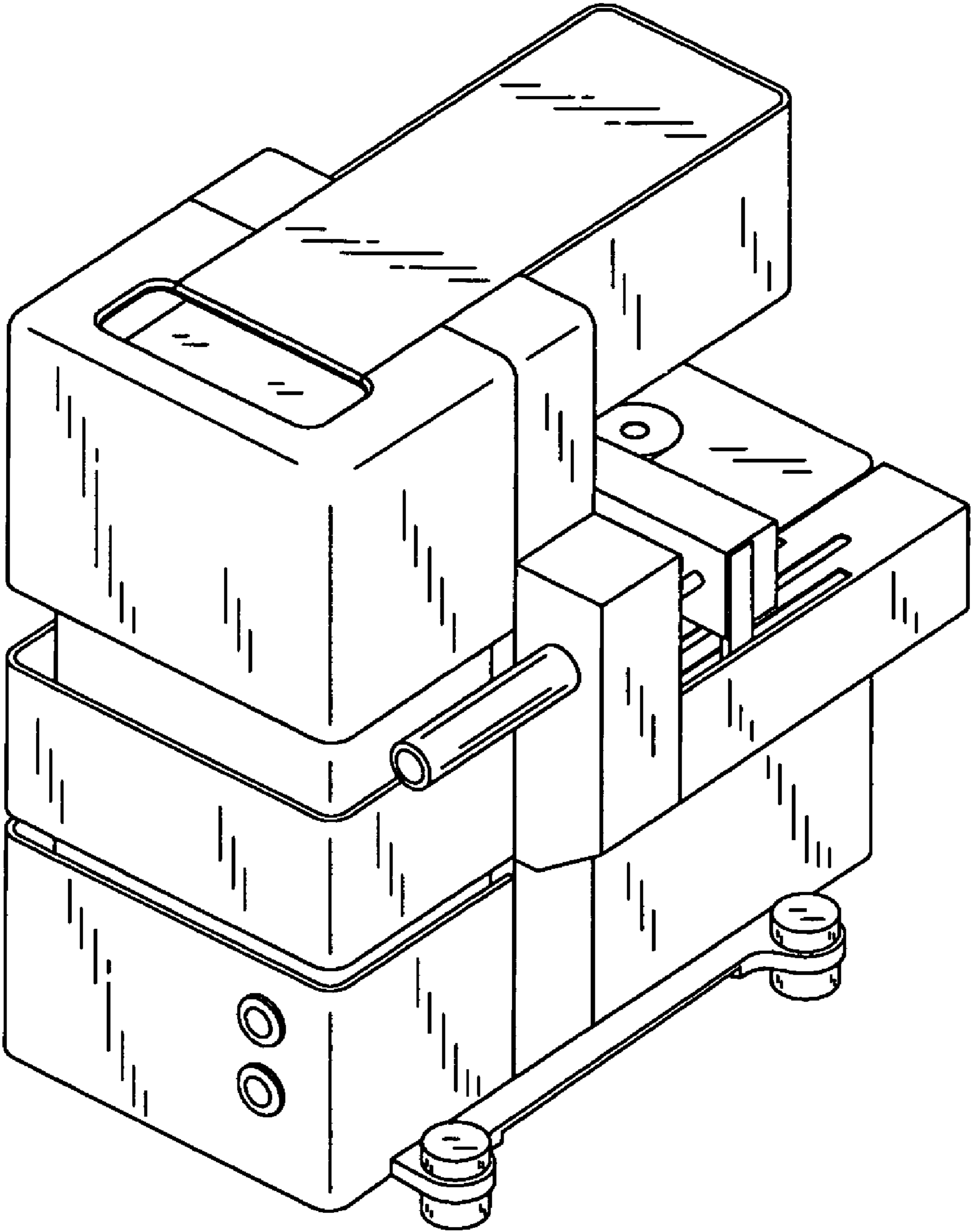


FIG. 3

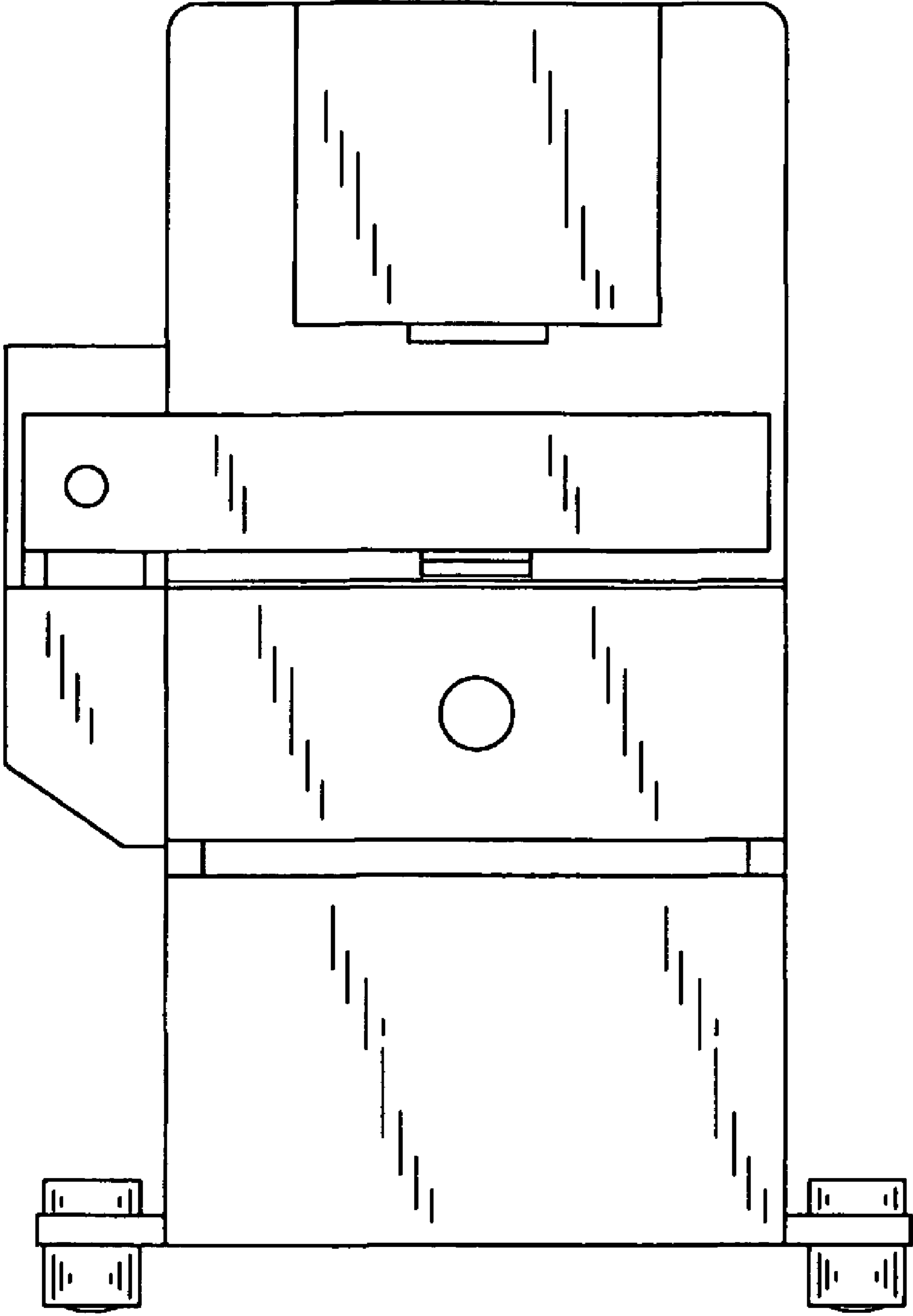


FIG. 4

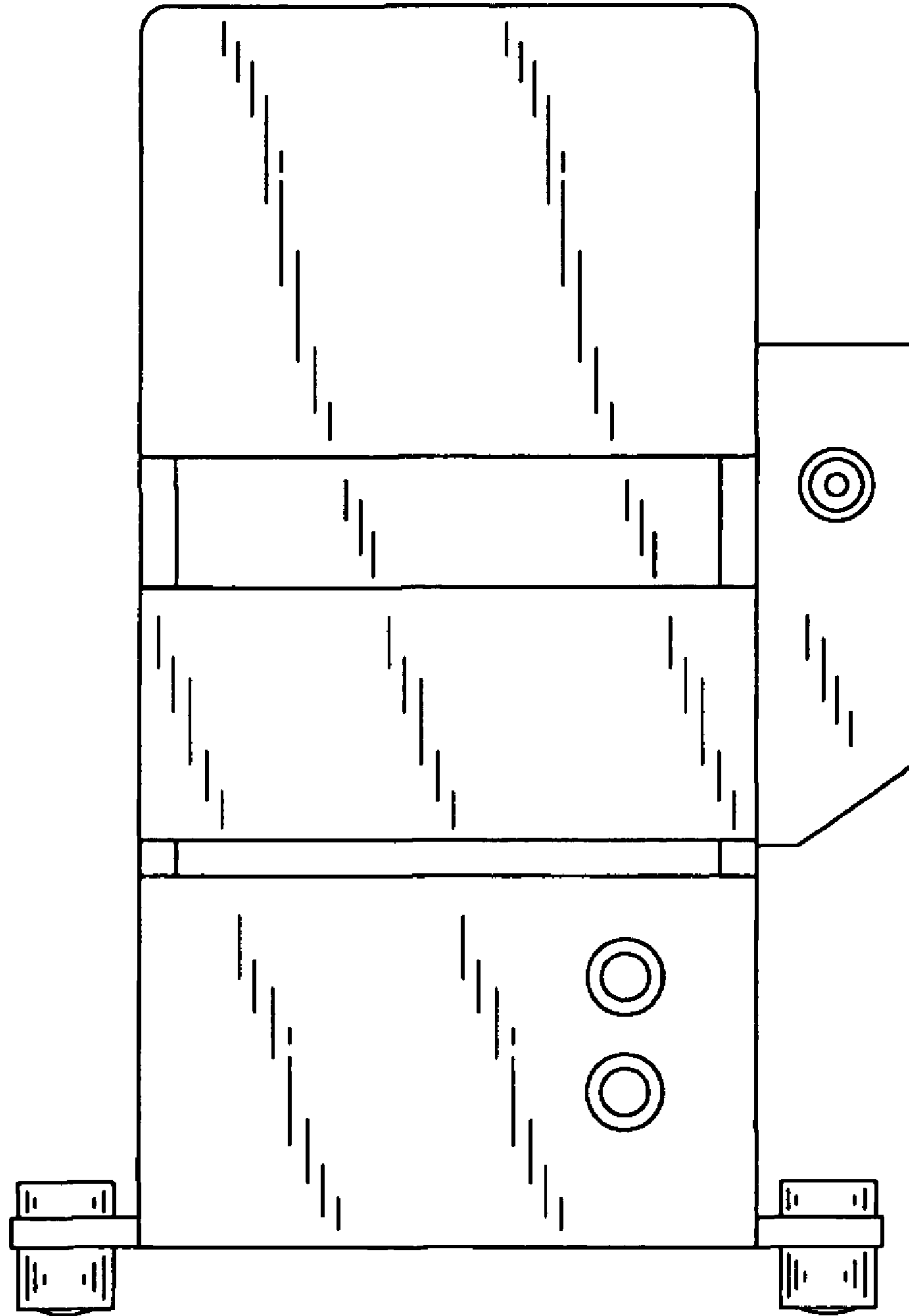


FIG. 5

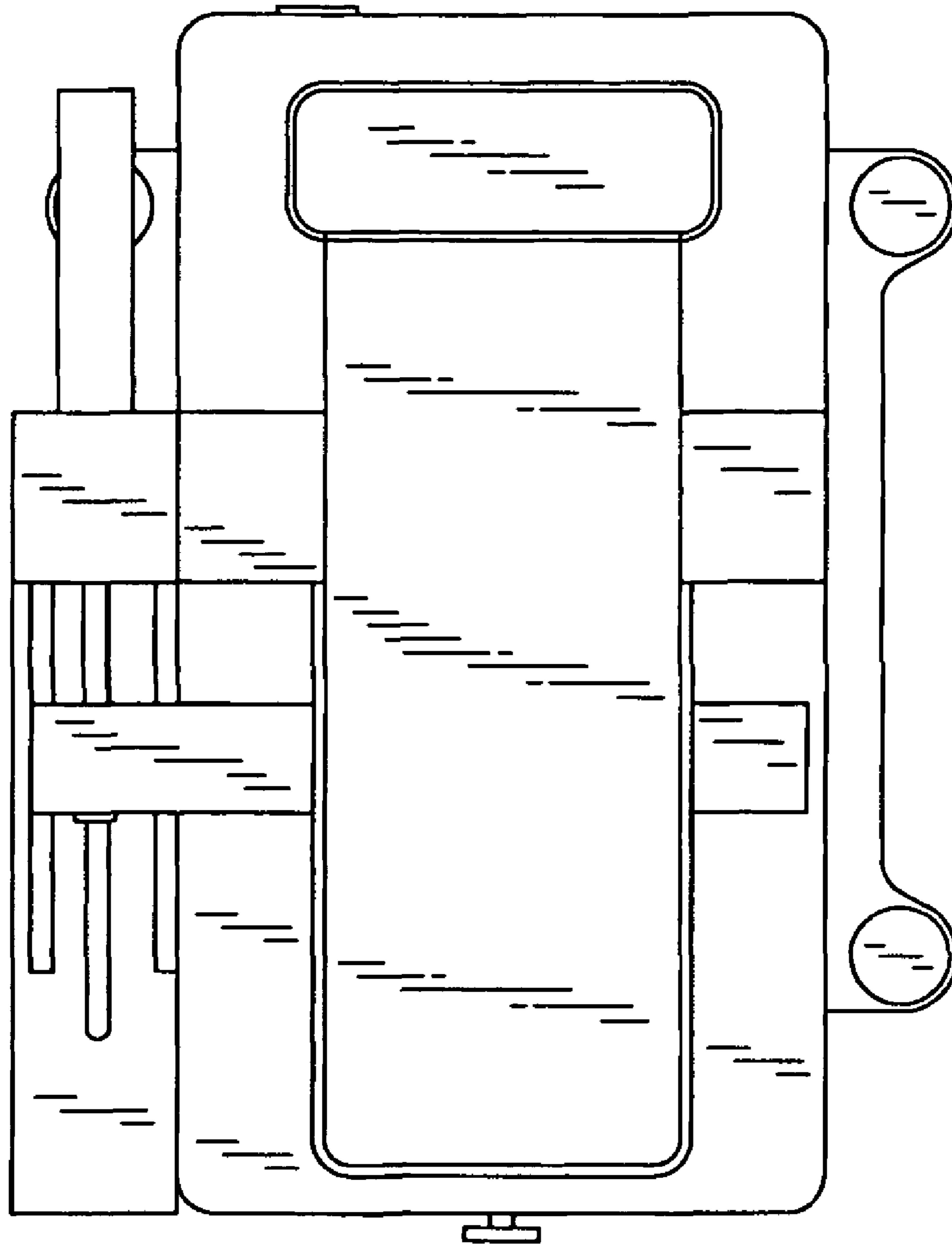


FIG. 6

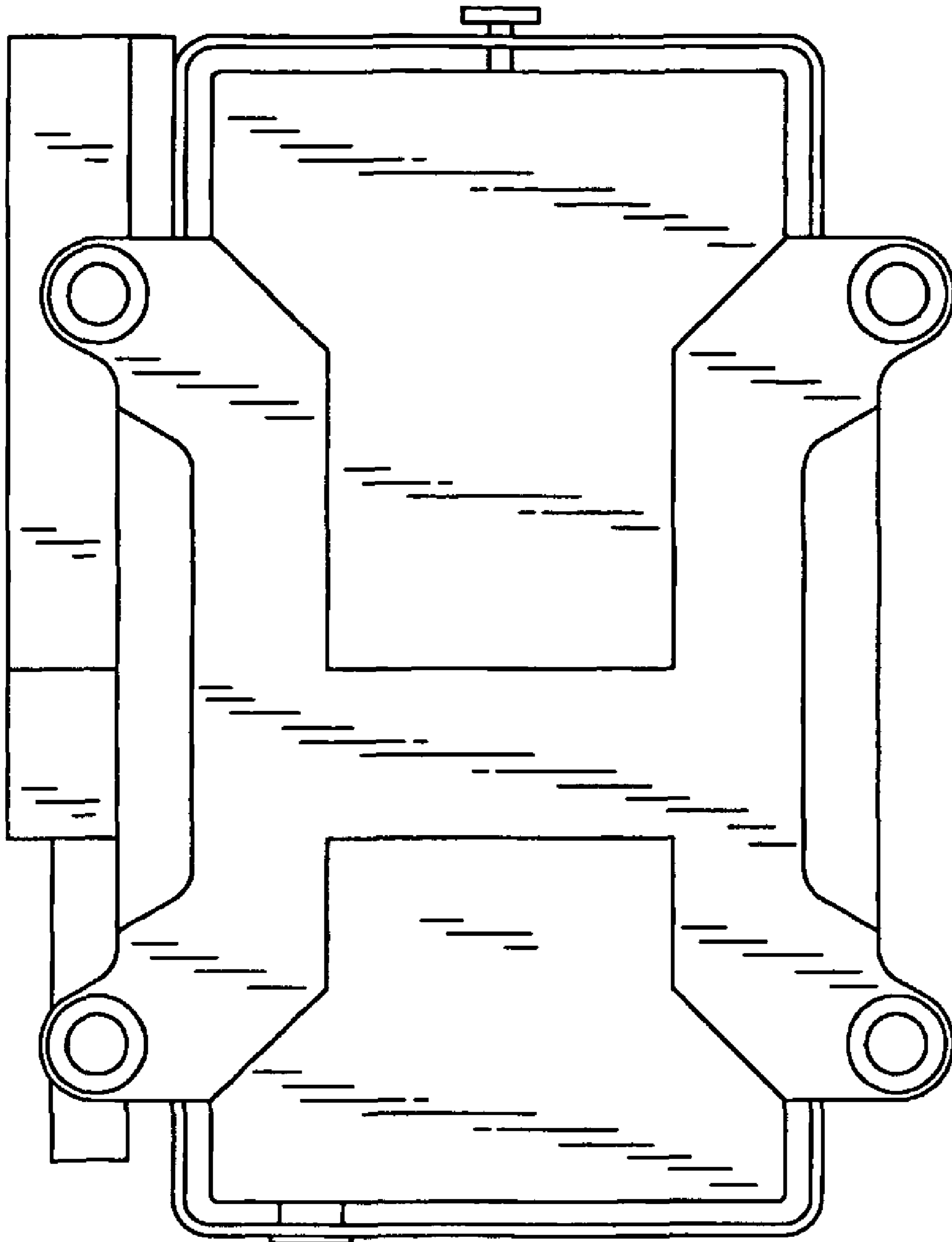


FIG. 7

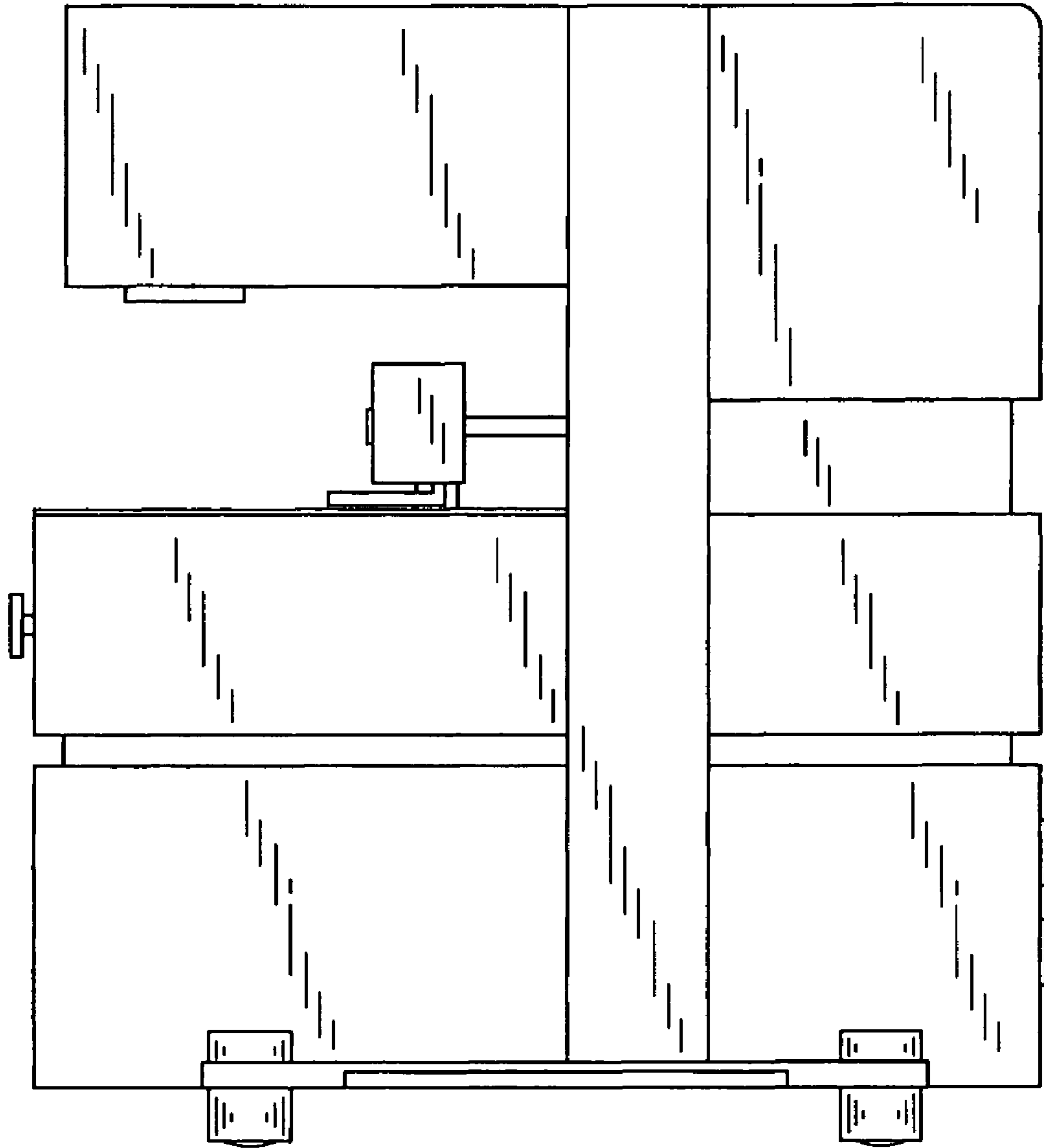


FIG. 8

