



US00D657405S

(12) **United States Design Patent**  
**Kinzalow**

(10) **Patent No.:** **US D657,405 S**

(45) **Date of Patent:** **\*\* Apr. 10, 2012**

(54) **CONCRETE MOLD**

(76) **Inventor:** **Cecil E. Kinzalow**, Soddy Daisy, TN  
(US)

(\*\*) **Term:** **14 Years**

(21) **Appl. No.:** **29/372,647**

(22) **Filed:** **Dec. 20, 2010**

(51) **LOC (9) Cl.** ..... **15-09**

(52) **U.S. Cl.** ..... **D15/136**

(58) **Field of Classification Search** ..... D7/409,  
D7/672, 677; D15/135, 136, 137; D25/119,  
D25/199; 249/2, 5, 8, 16, 18, 30, 48, 57,  
249/78, 93, 111, 117, 118, 119, 127, 128,  
249/138, 155, 160, 165, 168, 184, 205; 264/31,  
264/33, 34, 219, 250; 404/7, 63, 70, 71;  
425/410, 420, 458, 812

See application file for complete search history.

(56) **References Cited**

**U.S. PATENT DOCUMENTS**

1,601,389	A *	9/1926	Oscar	.....	249/30
1,705,201	A *	3/1929	Nagel	.....	249/161
2,555,455	A *	6/1951	Platt	.....	249/168
2,823,440	A *	2/1958	Schade	.....	249/18
2,908,063	A *	10/1959	Jones et al.	.....	249/13

3,021,586	A *	2/1962	Uruburu	.....	249/48
3,157,098	A *	11/1964	Mason	.....	249/5
4,159,100	A *	6/1979	Landowski	.....	249/99
4,167,385	A *	9/1979	DeRezendes	.....	425/410
D288,328	S *	2/1987	Scott	.....	D15/136
4,659,056	A *	4/1987	Michaud-Soret	.....	249/78
5,667,190	A *	9/1997	Scott et al.	.....	249/16
6,059,257	A *	5/2000	Scott, III	.....	249/15
2007/0262229	A1 *	11/2007	High et al.	.....	249/114.1

\* cited by examiner

*Primary Examiner* — Patricia Palasik

(74) *Attorney, Agent, or Firm* — Rodgers & Rodgers

(57) **CLAIM**

The ornamental design for a concrete mold, as shown and described.

**DESCRIPTION**

FIG. 1 is a perspective view of a concrete mold showing my new design;

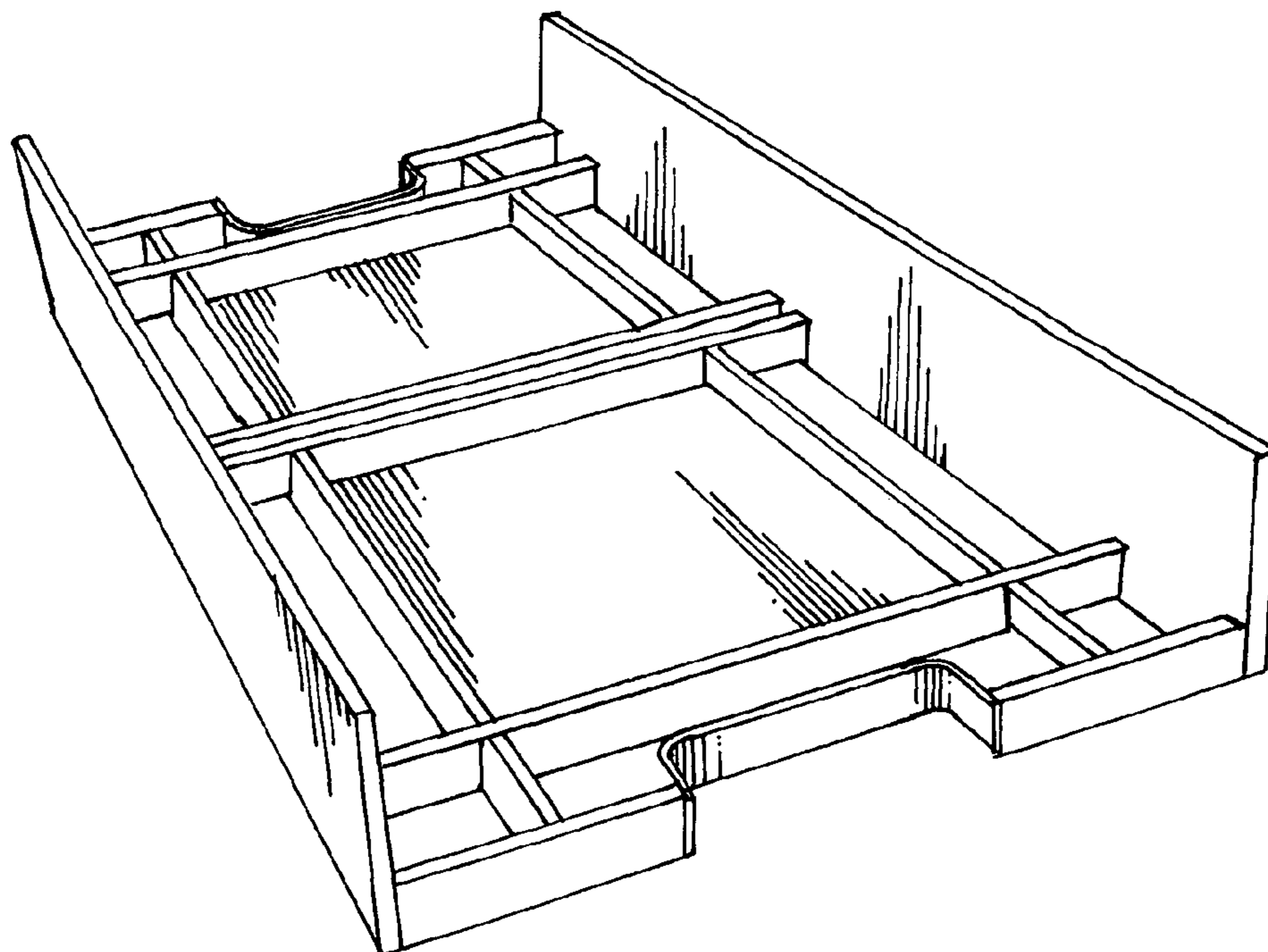
FIG. 2 is a top plan view thereof;

FIG. 3 is a bottom plan view thereof;

FIG. 4 is a left-side elevational view thereof, the right side being the same in appearance; and,

FIG. 5 is a front elevational view thereof, the rear being the same in appearance.

**1 Claim, 2 Drawing Sheets**



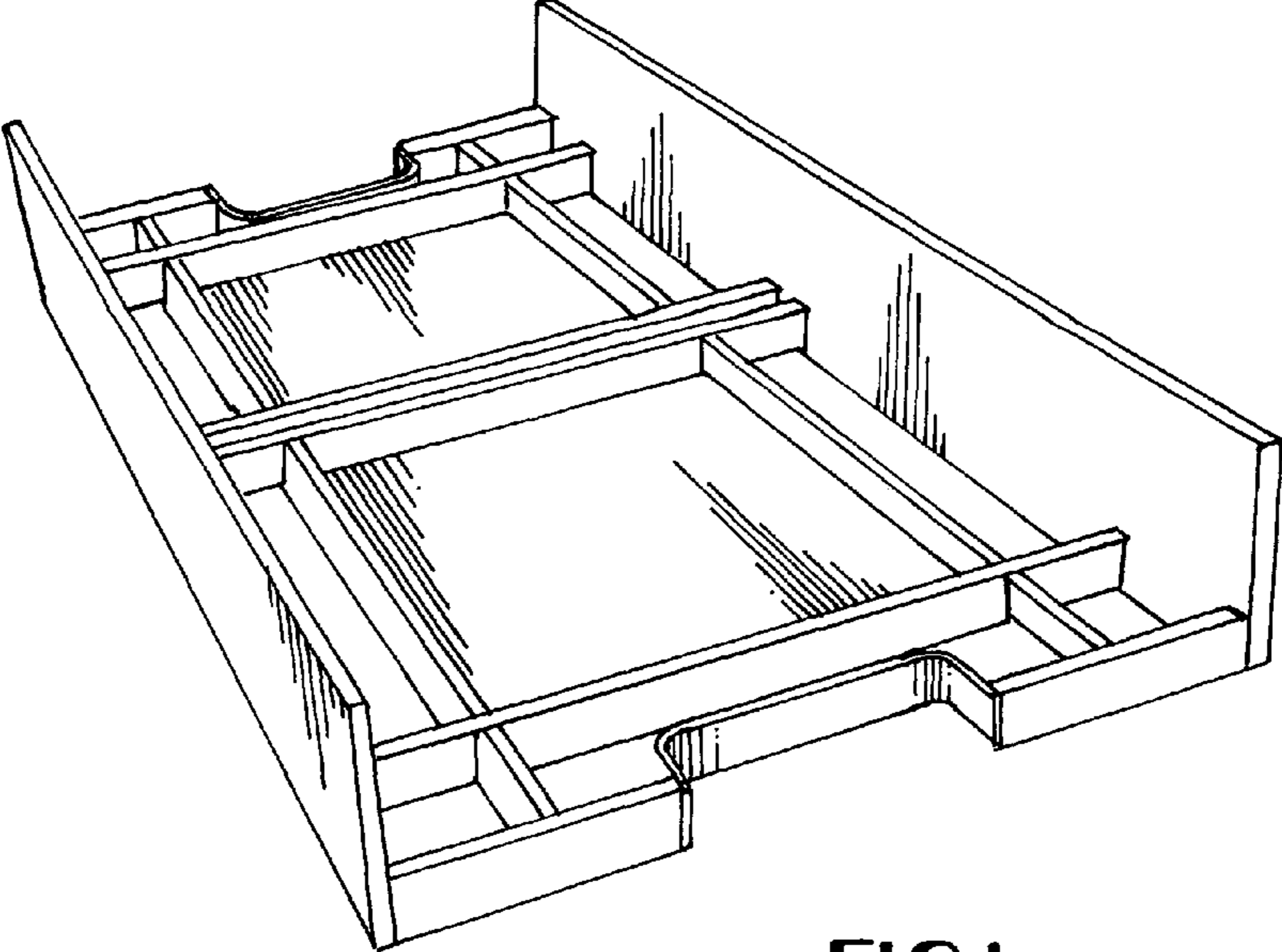


FIG. 1

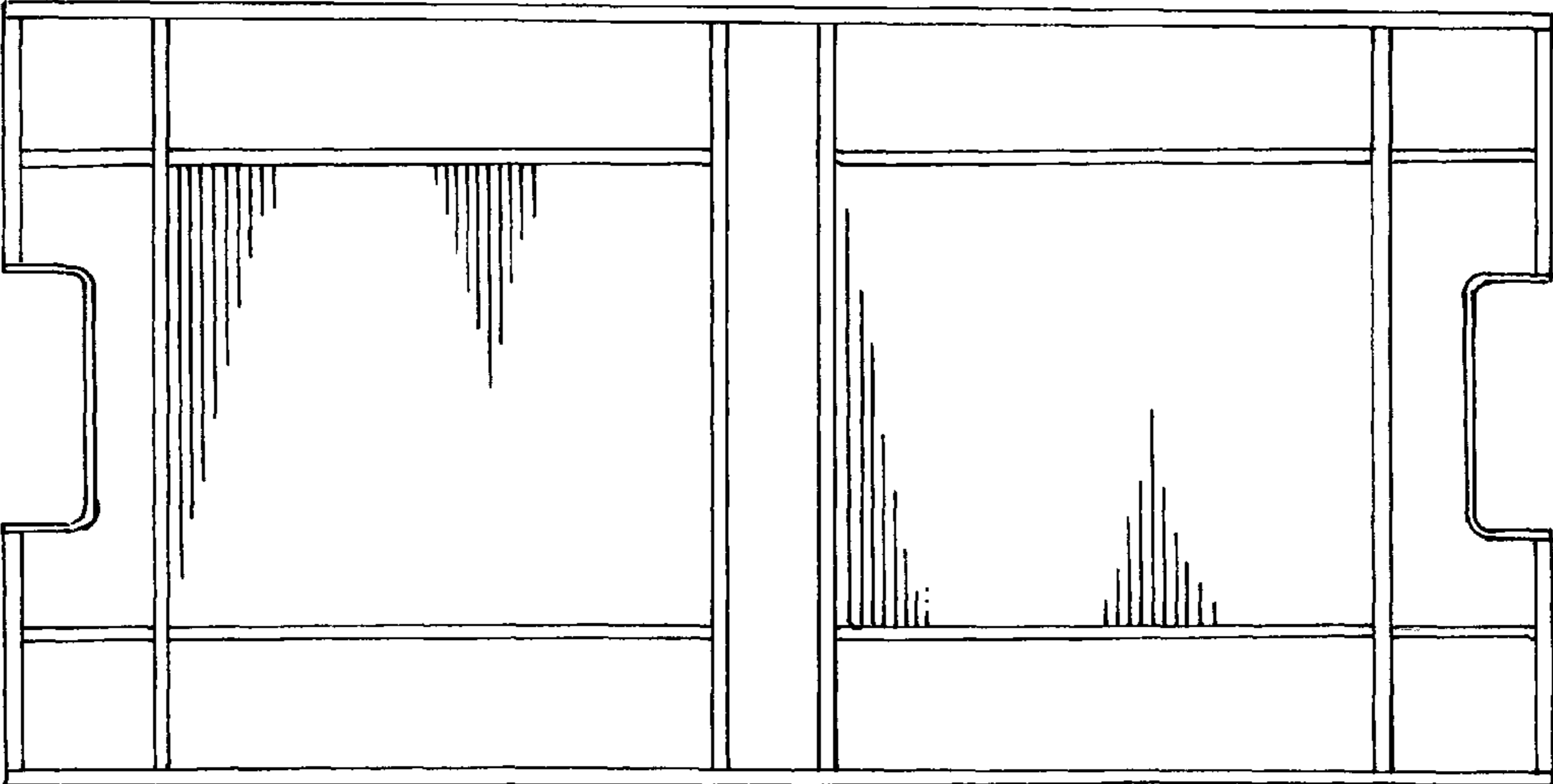


FIG. 2

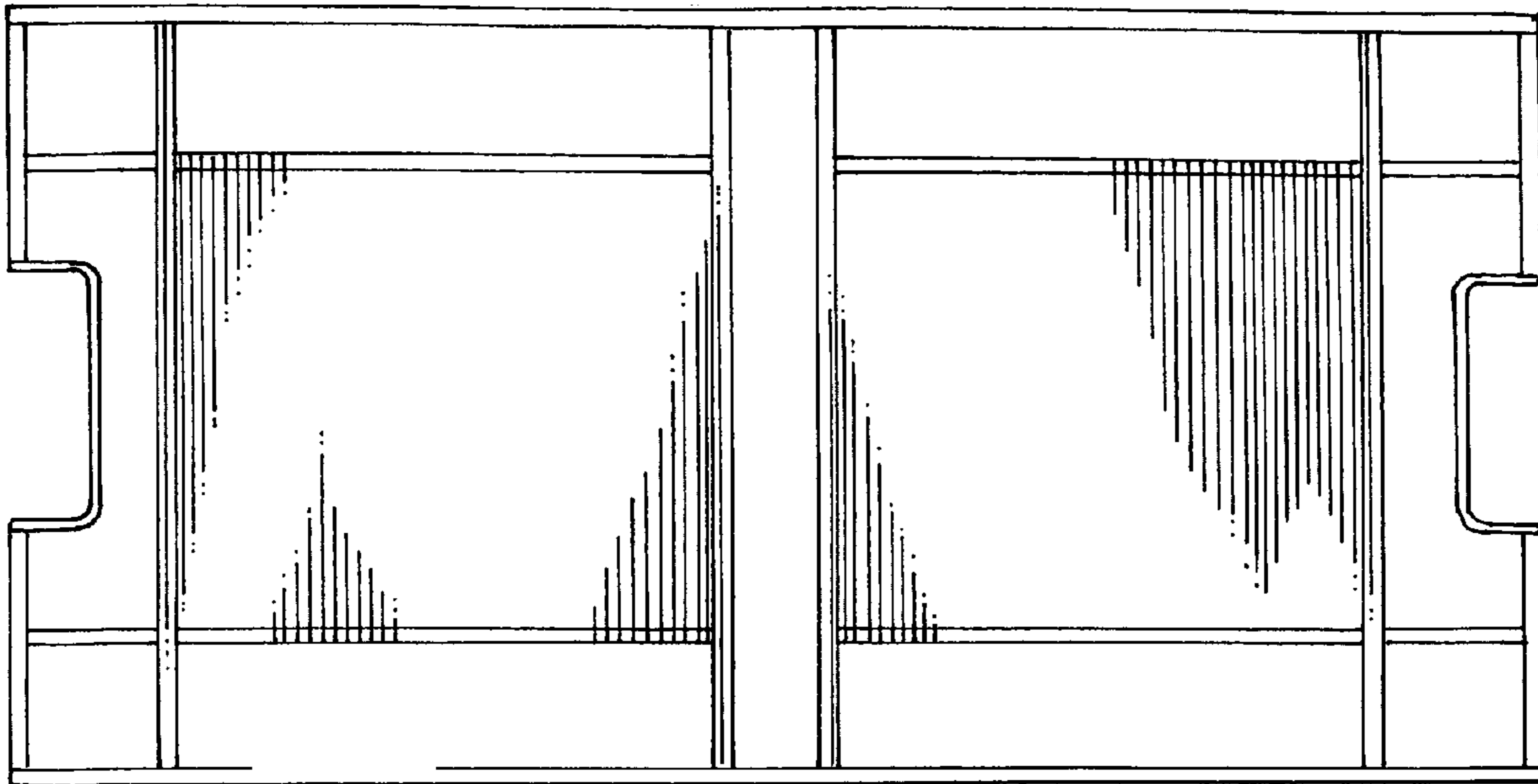


FIG. 3

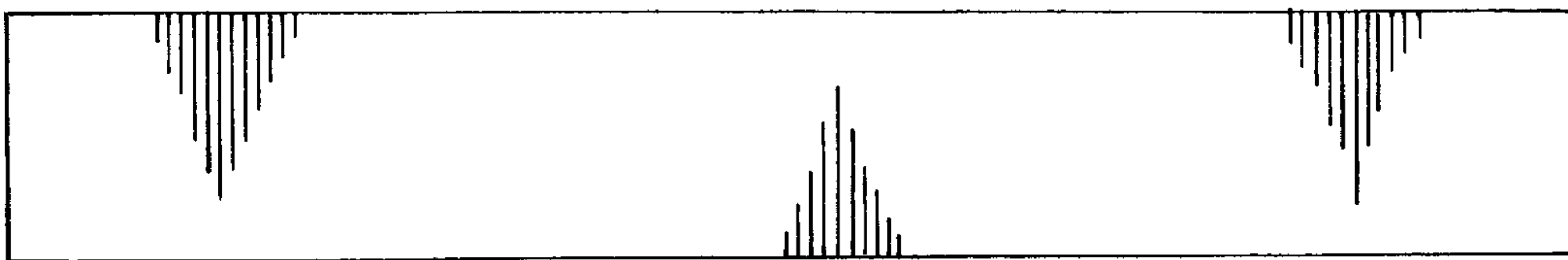


FIG. 4



FIG. 5