



US00D657402S

(12) **United States Design Patent**
Hwang et al.

(10) **Patent No.:** **US D657,402 S**

(45) **Date of Patent:** **** Apr. 10, 2012**

(54) **REFRIGERATOR**

(75) Inventors: **Jungyeon Hwang**, Seoul (KR); **Minsup Kim**, Gyeonggi-do (KR); **Jinwon Kang**, Gyeonggi-do (KR); **Junyi Heo**, Seoul (KR); **Myungdong You**, Incheon (KR)

(73) Assignee: **LG Electronics Inc.**, Seoul (KR)

(**) Term: **14 Years**

(21) Appl. No.: **29/391,009**

(22) Filed: **May 2, 2011**

(30) **Foreign Application Priority Data**

Dec. 3, 2010 (KR) 30-2010-0052429

(51) **LOC (9) Cl.** **15-07**

(52) **U.S. Cl.** **D15/86**

(58) **Field of Classification Search** D15/79,
D15/81, 85-88, 91; 62/3.6, 246-255, 293,
62/331, 371, 440, 467, 529, 531, 337; 312/400-409,
312/352, 116

See application file for complete search history.

(56) **References Cited**

U.S. PATENT DOCUMENTS

1,961,022	A *	5/1934	Teller et al.	312/329
2,926,507	A *	3/1960	Ingolia	62/377
D452,255	S *	12/2001	Chai et al.	D15/85
D508,059	S *	8/2005	Seok et al.	D15/86
D508,249	S *	8/2005	Seok et al.	D15/86
D508,925	S *	8/2005	Seok et al.	D15/86
D508,926	S *	8/2005	Seok et al.	D15/86
D522,540	S *	6/2006	Cho et al.	D15/86
D540,832	S *	4/2007	Wang et al.	D15/86
D578,555	S *	10/2008	Yeo et al.	D15/85
D594,886	S *	6/2009	Wang et al.	D15/86
D614,208	S *	4/2010	Seo et al.	D15/86
D614,209	S *	4/2010	Kristiansen et al.	D15/86
D615,109	S *	5/2010	Yang et al.	D15/86
D616,000	S *	5/2010	Yang et al.	D15/86
D616,001	S *	5/2010	Yang et al.	D15/86
D625,342	S *	10/2010	Seo et al.	D15/85

D633,114	S *	2/2011	Seo et al.	D15/86
D639,316	S *	6/2011	Roberson et al.	D15/86
D639,828	S *	6/2011	Yang et al.	D15/86

* cited by examiner

Primary Examiner — Mitchell Siegel

(74) *Attorney, Agent, or Firm* — Birch, Stewart, Kolasch & Birch, LLP

(57) **CLAIM**

The ornamental design for a refrigerator, as shown and described.

DESCRIPTION

FIG. 1 is a perspective view of a refrigerator showing our new design;

FIG. 2 is a front view thereof;

FIG. 3 is a rear view thereof;

FIG. 4 is a left side view thereof;

FIG. 5 is a right side view thereof;

FIG. 6 is a top plan view thereof;

FIG. 7 is a bottom plan view thereof;

FIG. 8 is a perspective view thereof showing the state that only the outside door at the upper-right part of the refrigerator has been opened;

FIG. 9 is a front view of FIG. 8;

FIG. 10 is a rear view of FIG. 8;

FIG. 11 is a left side view of FIG. 8;

FIG. 12 is a right side view of FIG. 8;

FIG. 13 is a top plan view of FIG. 8;

FIG. 14 is a bottom plan view of FIG. 8;

FIG. 15 is a perspective view thereof showing the state that all the doors (the door-in-door) at the upper-right part of the refrigerator have been opened;

FIG. 16 is a front view of FIG. 15;

FIG. 17 is a rear view of FIG. 15;

FIG. 18 is a left side view of FIG. 15;

FIG. 19 is a right side view of FIG. 15;

FIG. 20 is a top plan view of FIG. 15; and,

FIG. 21 is a bottom plan view of FIG. 15.

1 Claim, 21 Drawing Sheets

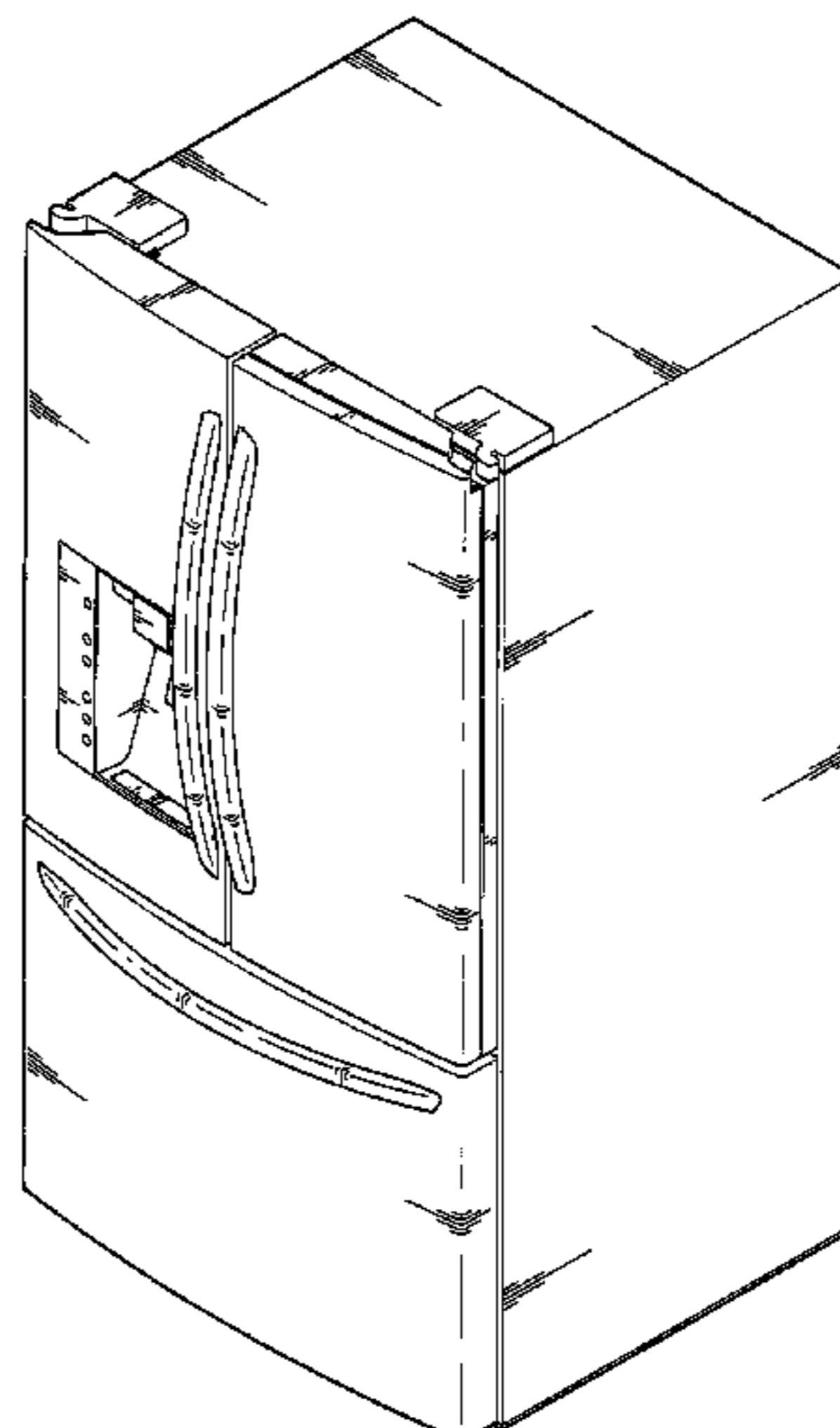


FIG. 1

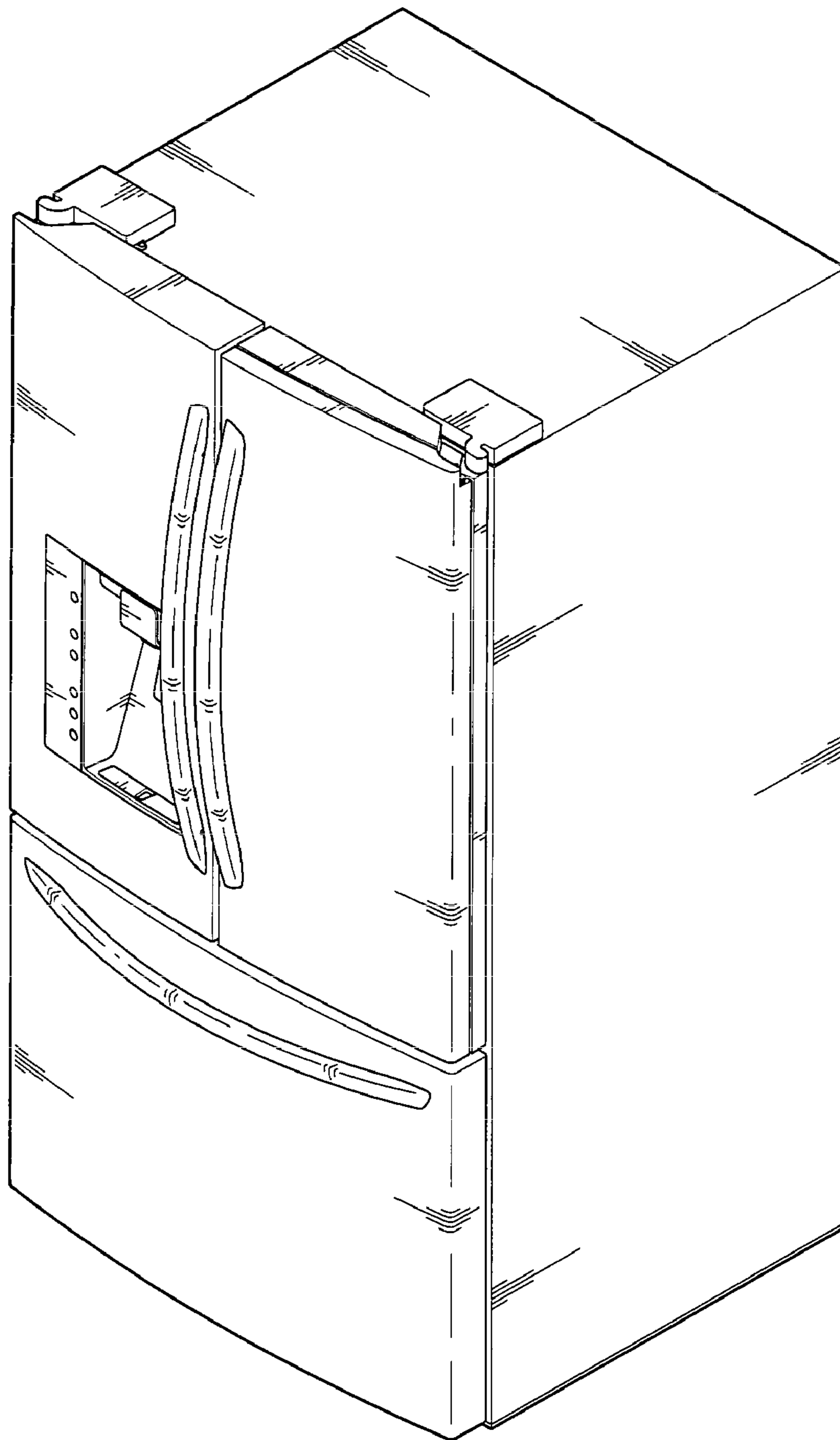


FIG. 2

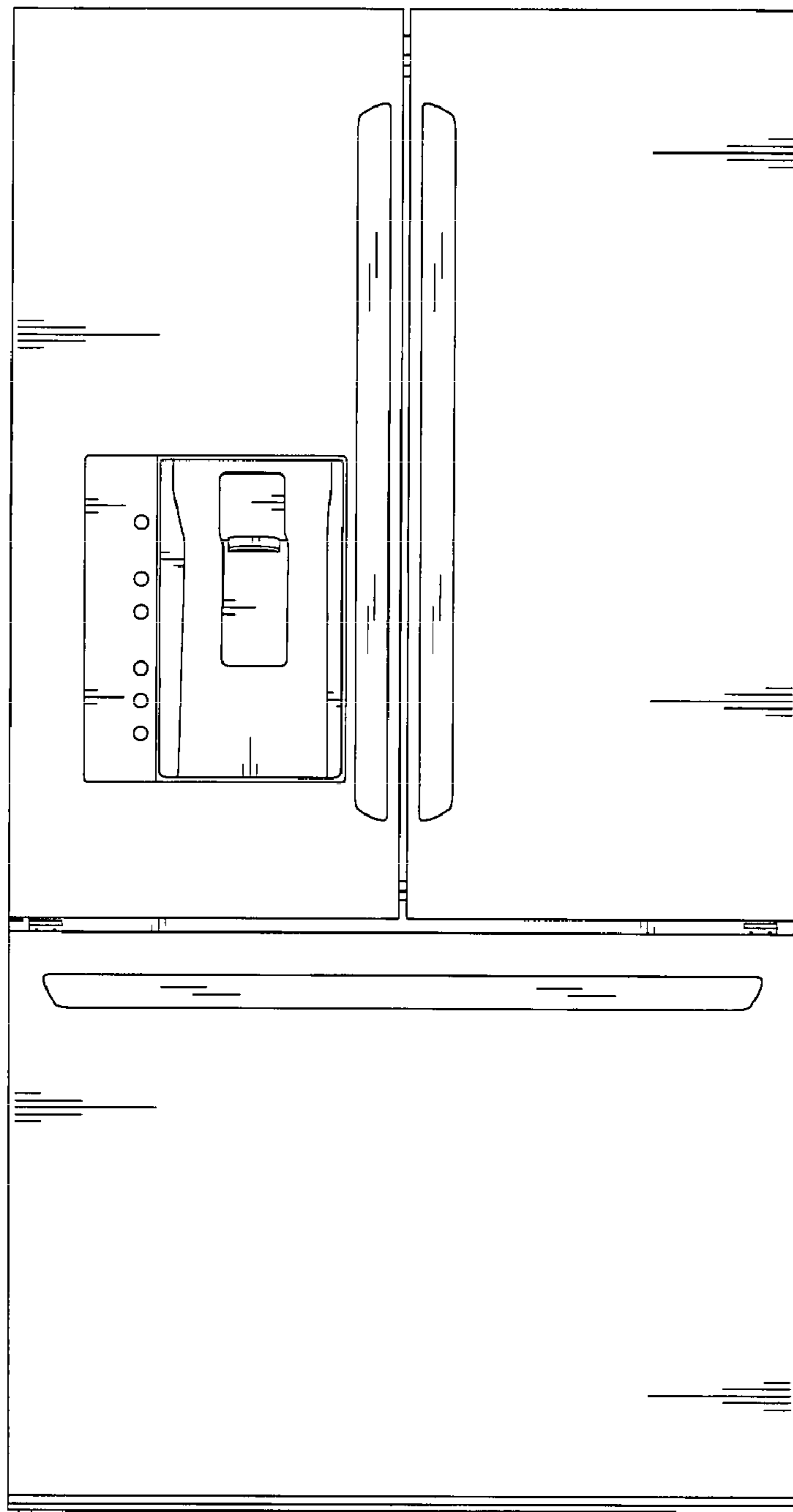


FIG. 3

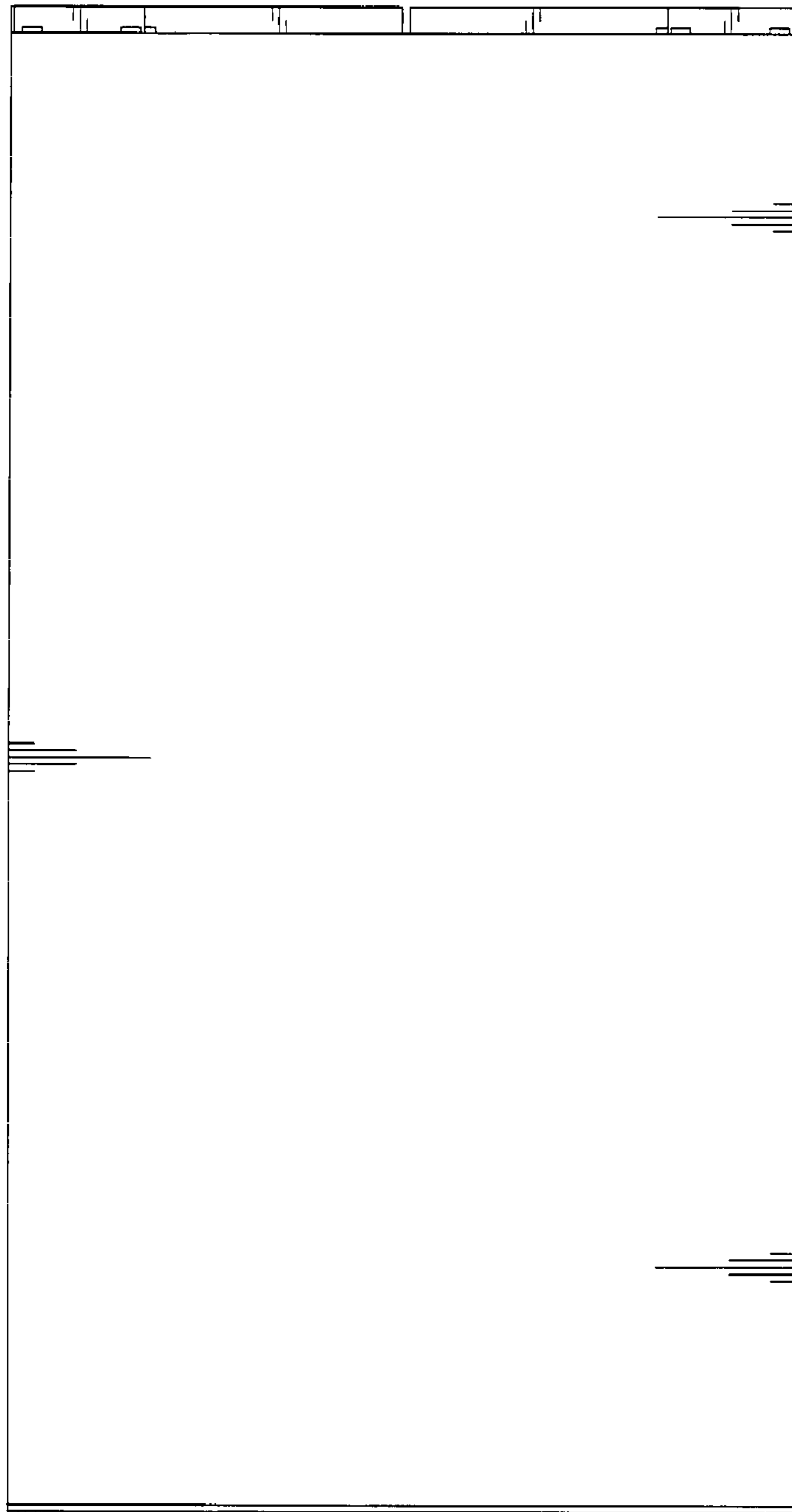


FIG. 4

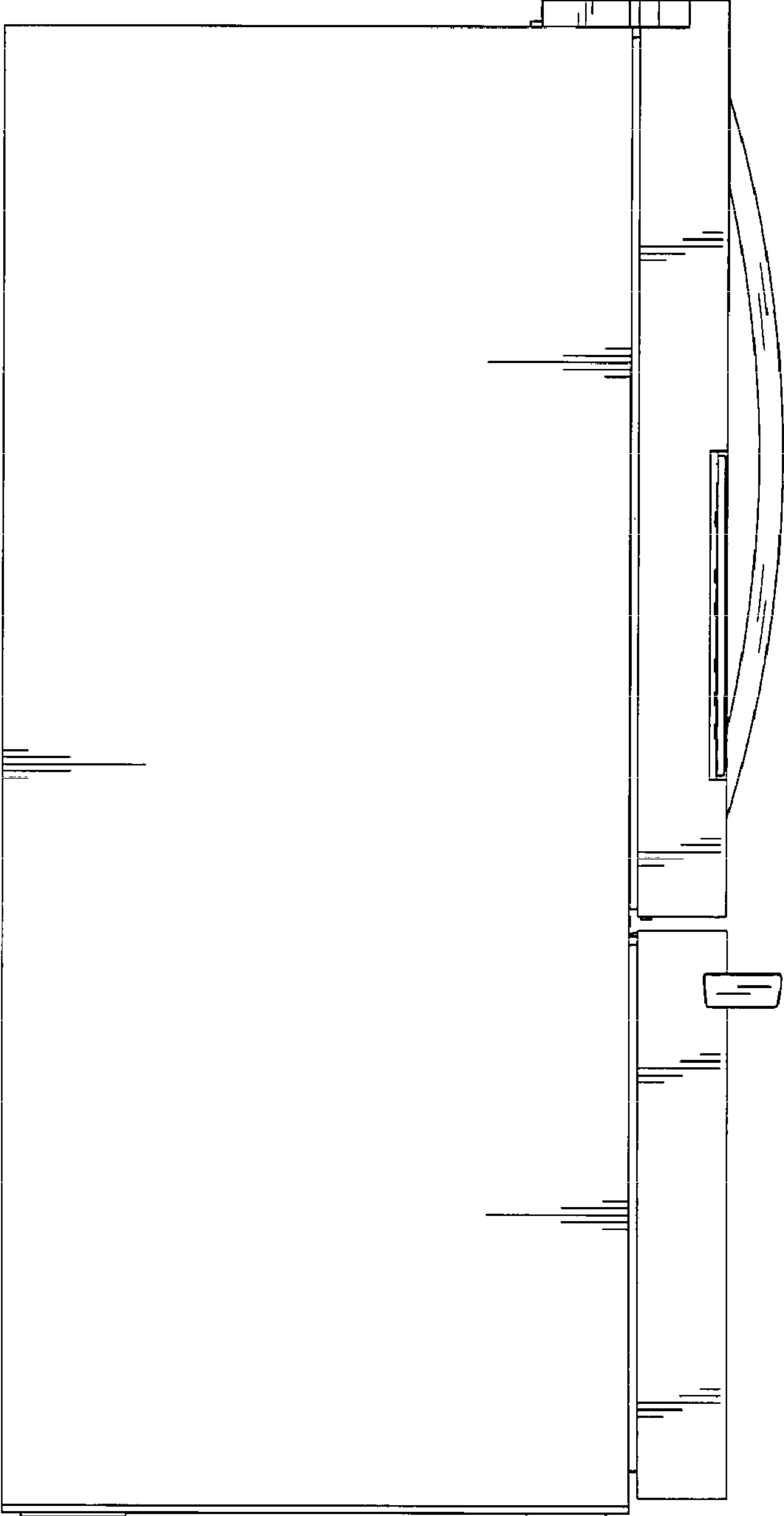


FIG. 5

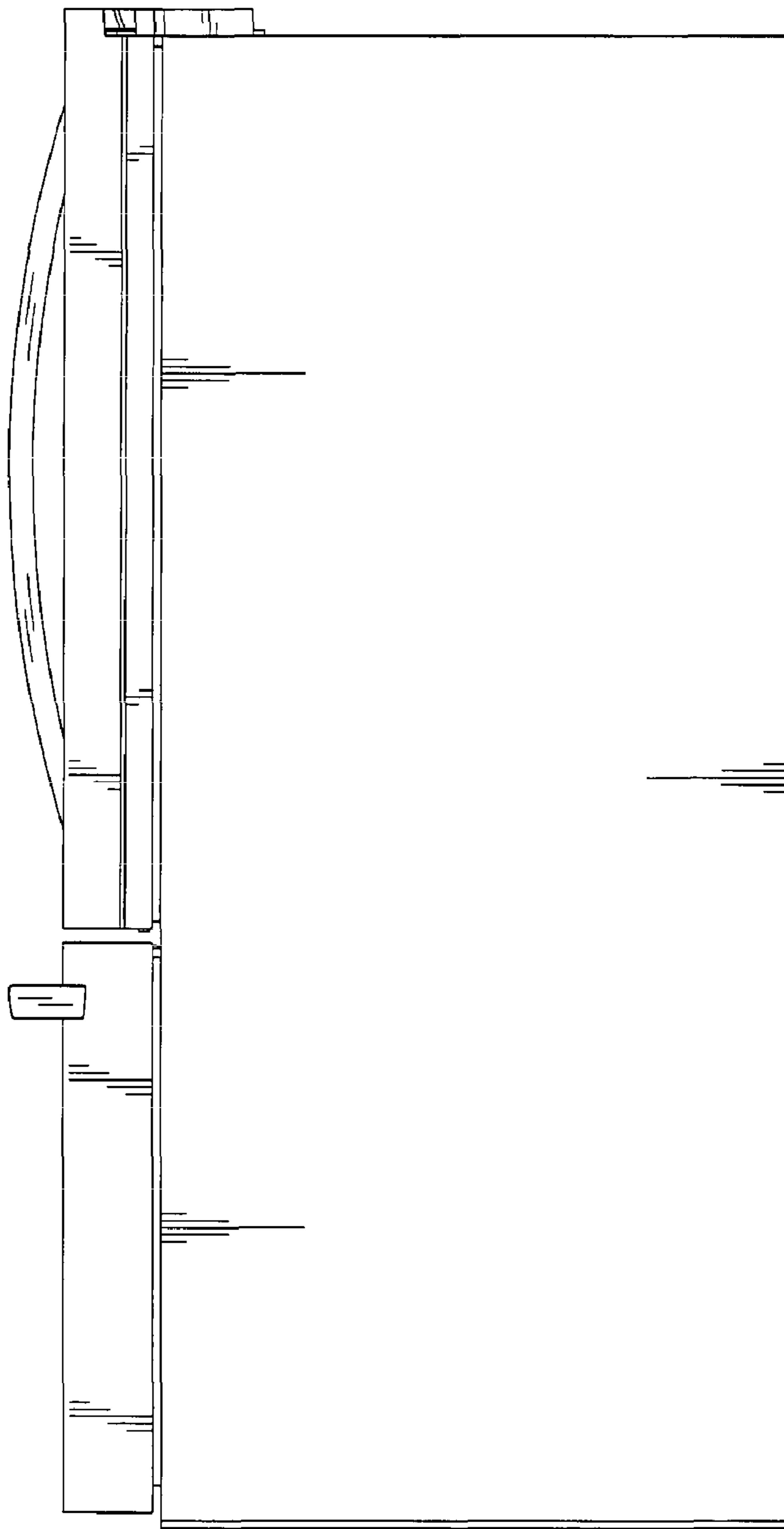


FIG. 6

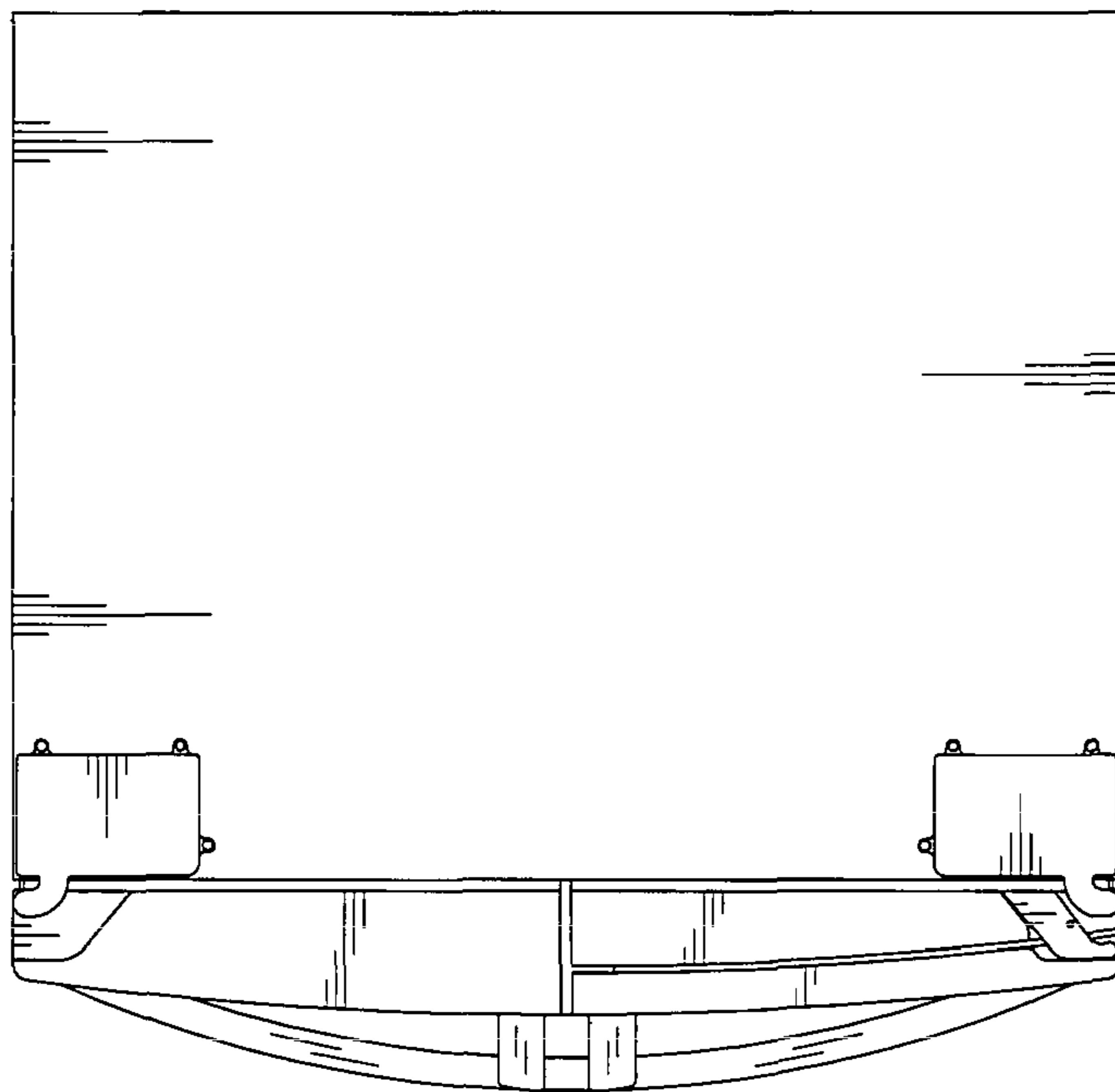


FIG. 7

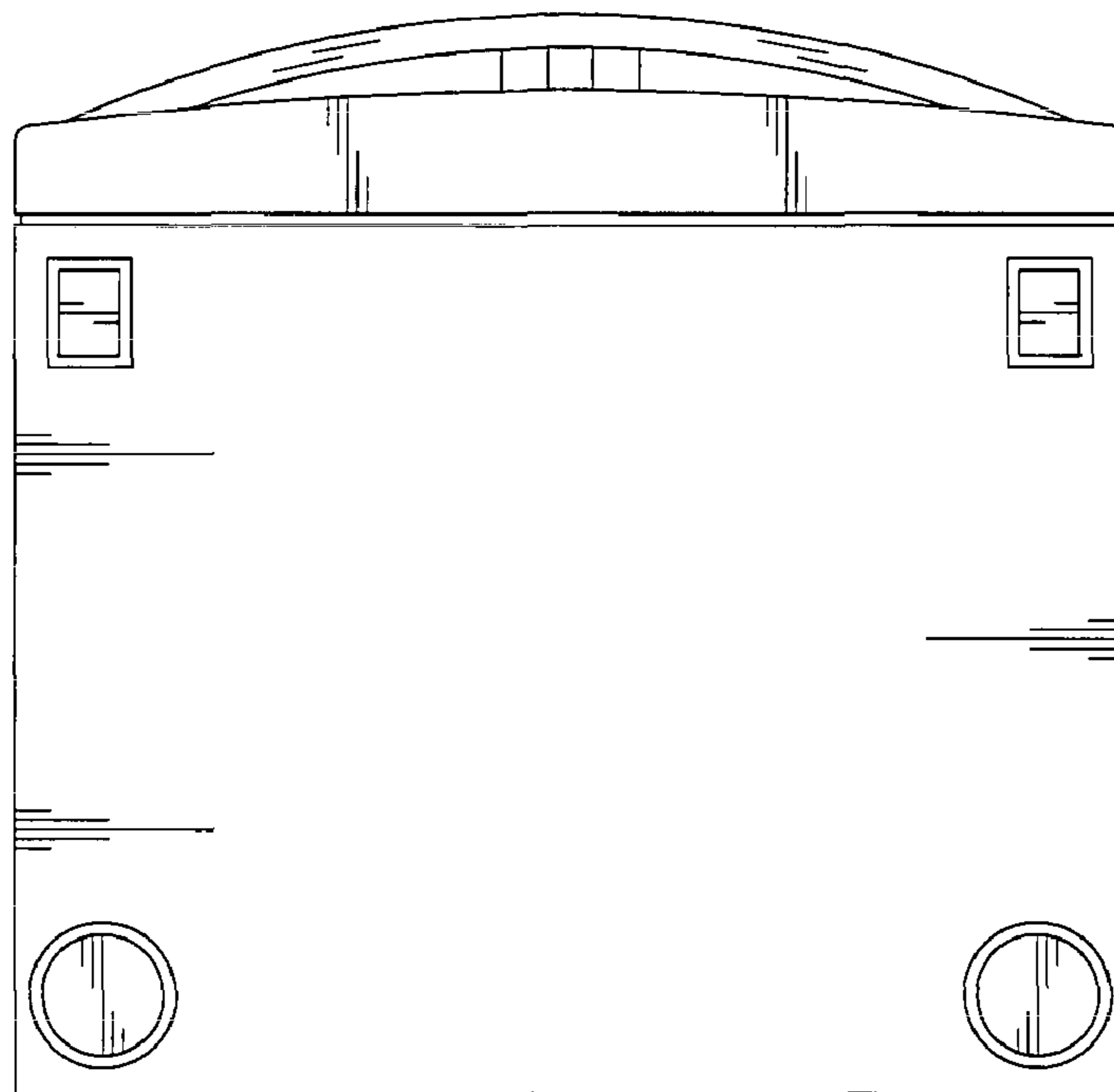


FIG. 8

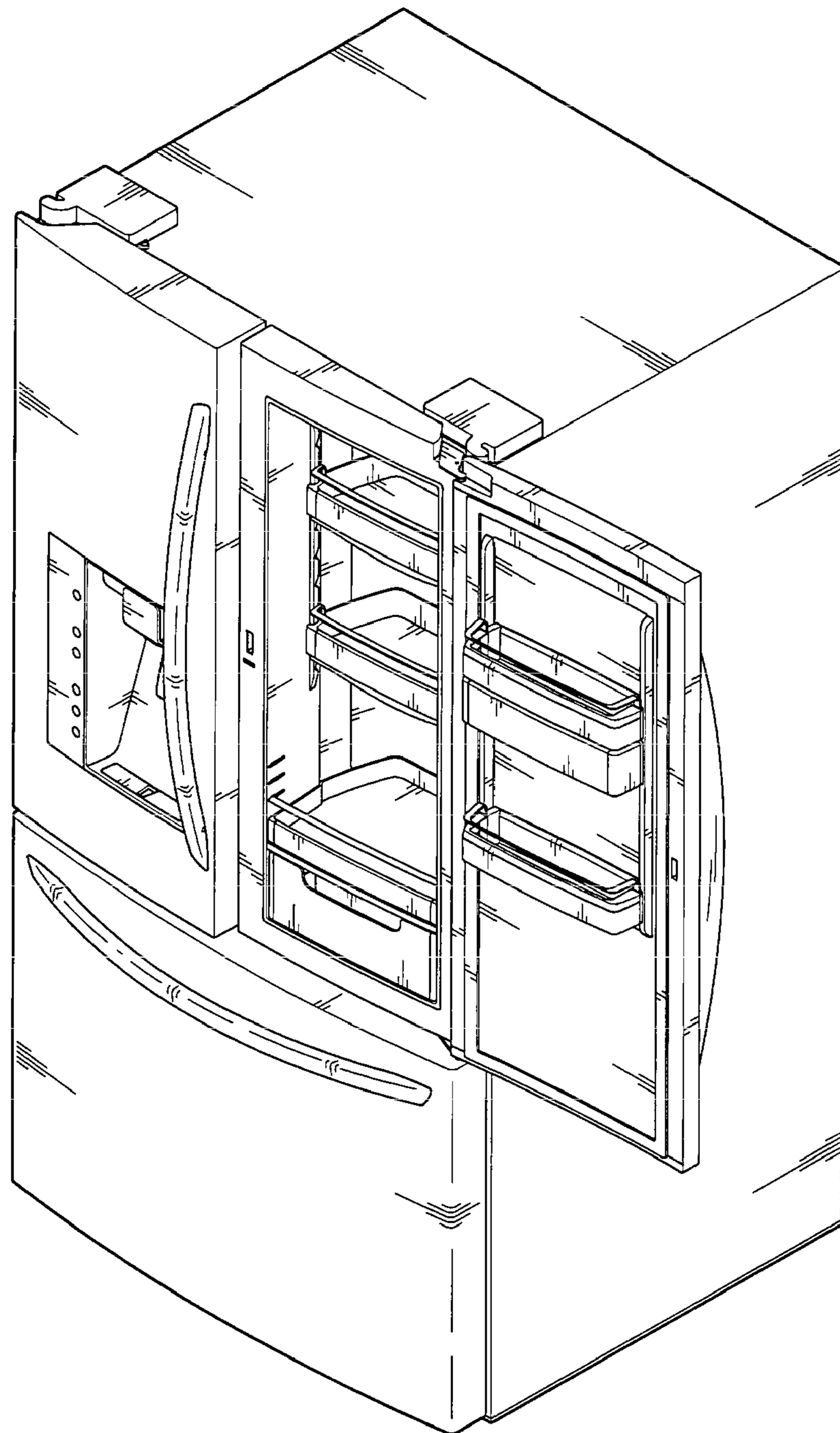


FIG. 9

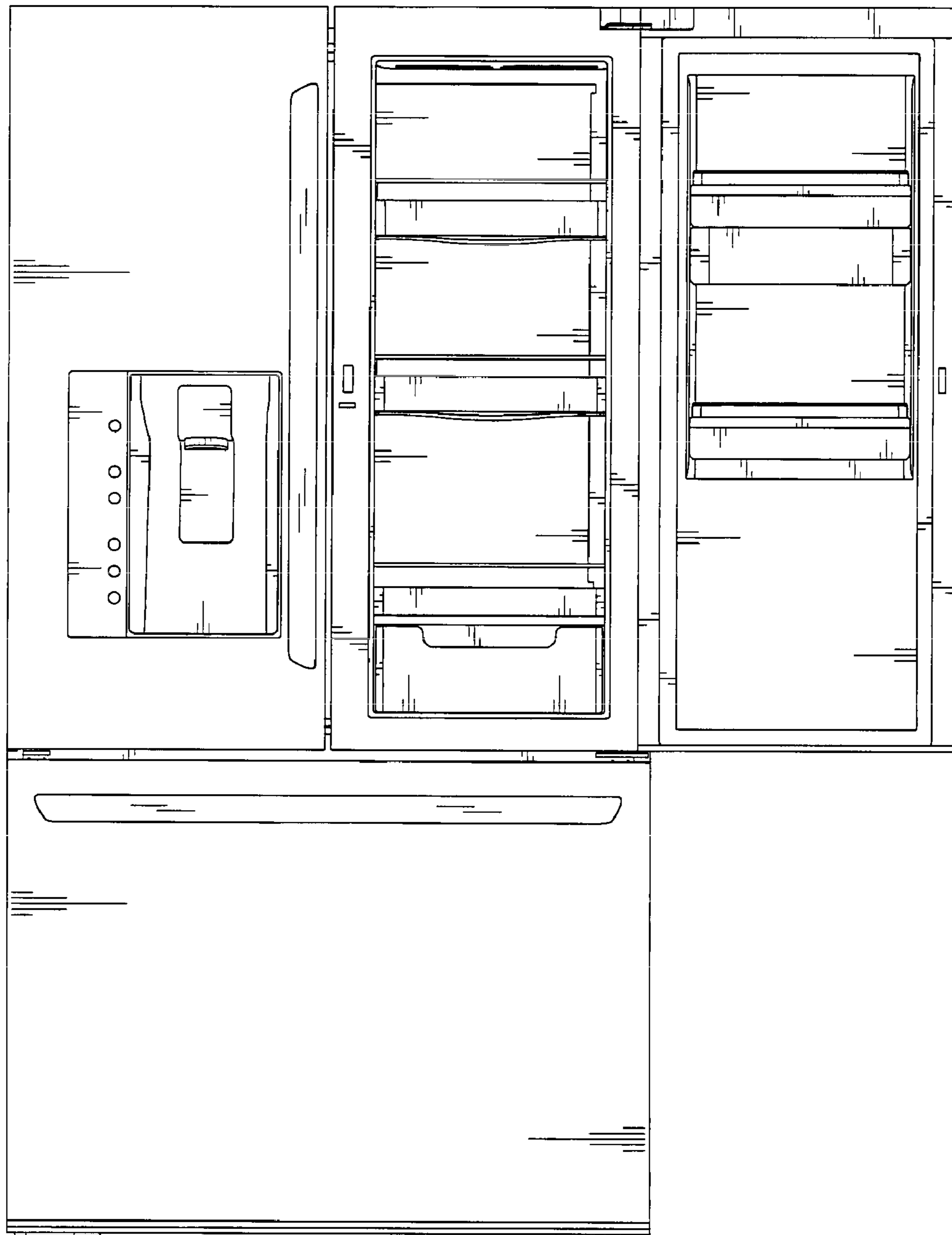


FIG. 10

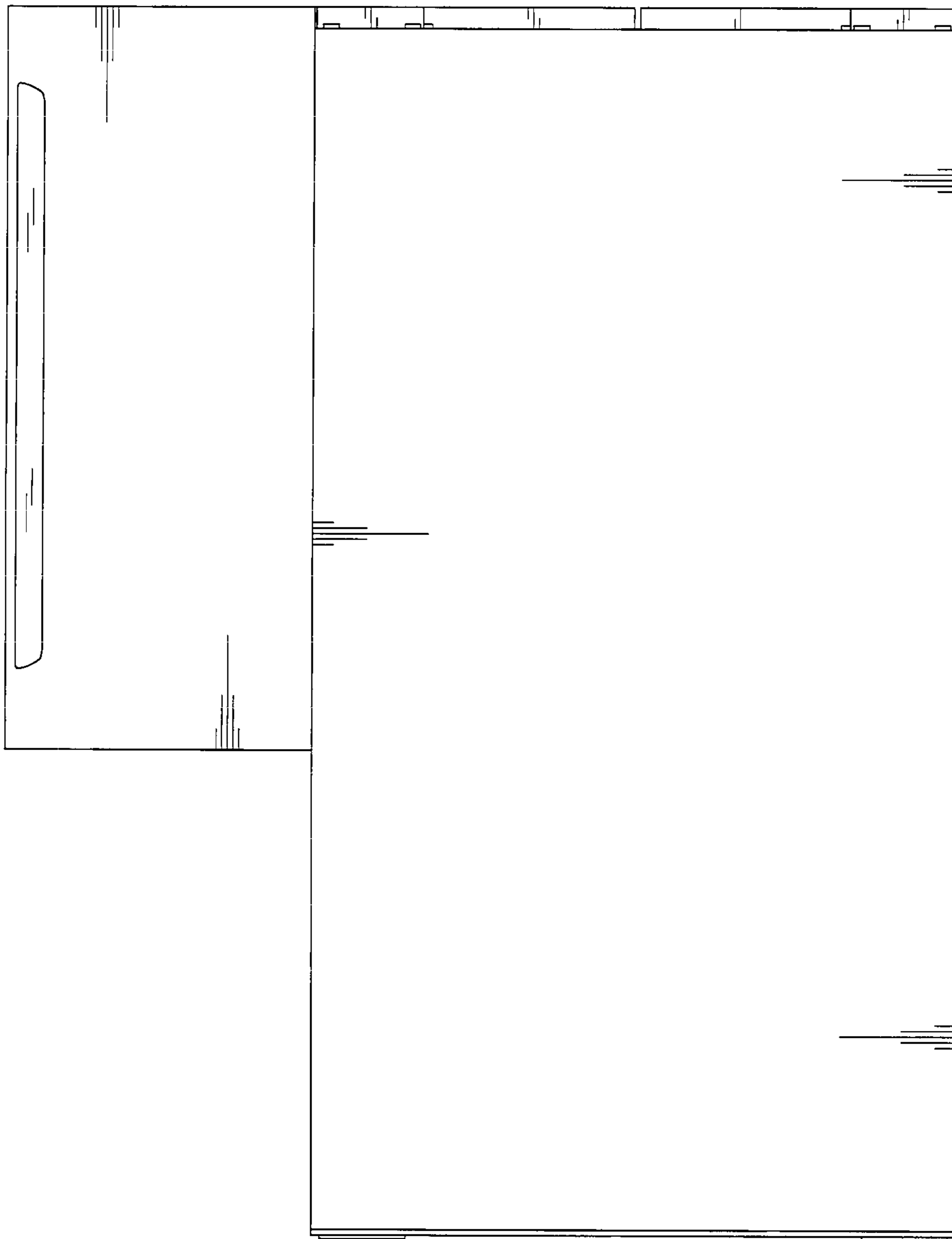


FIG. 11

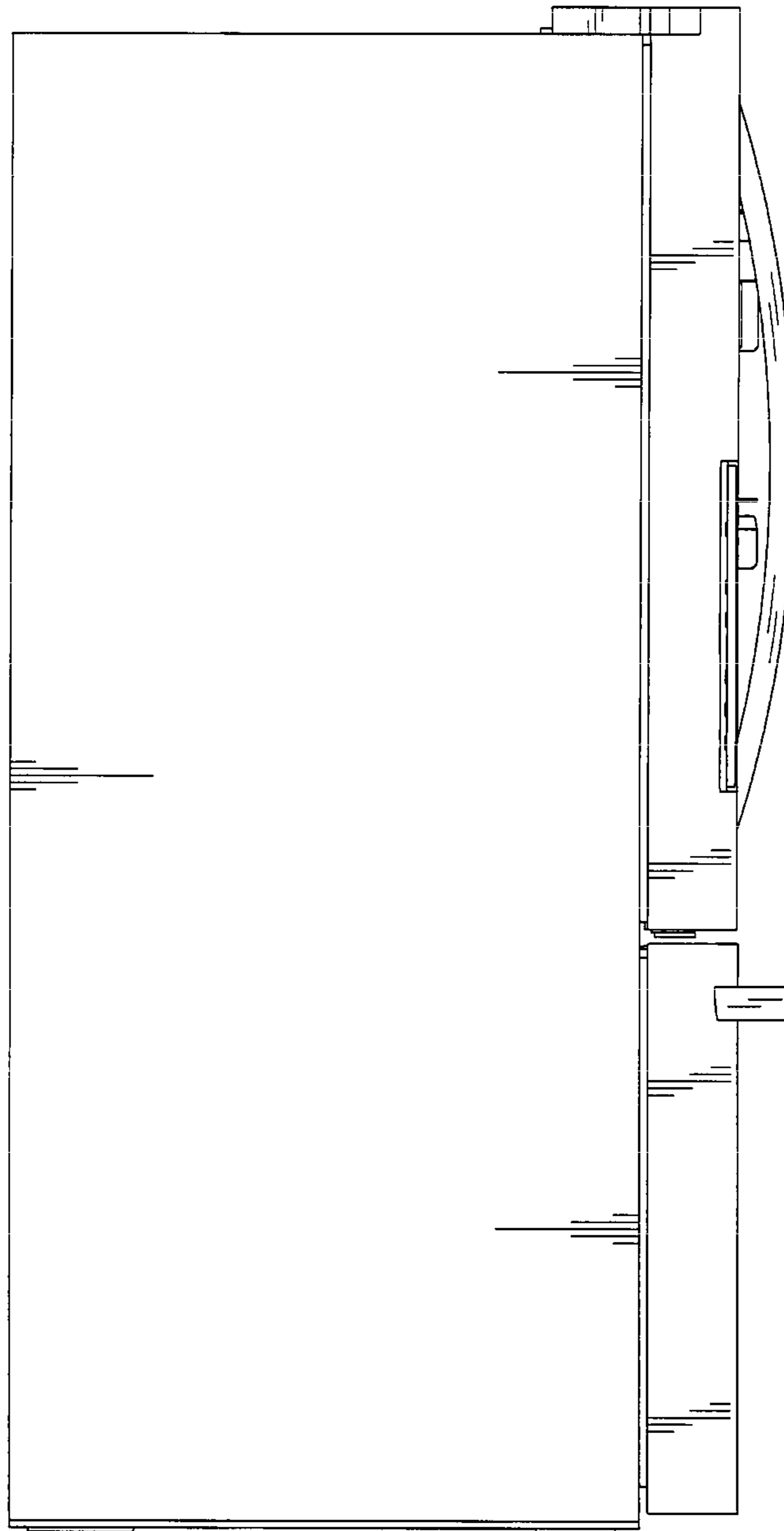


FIG. 12

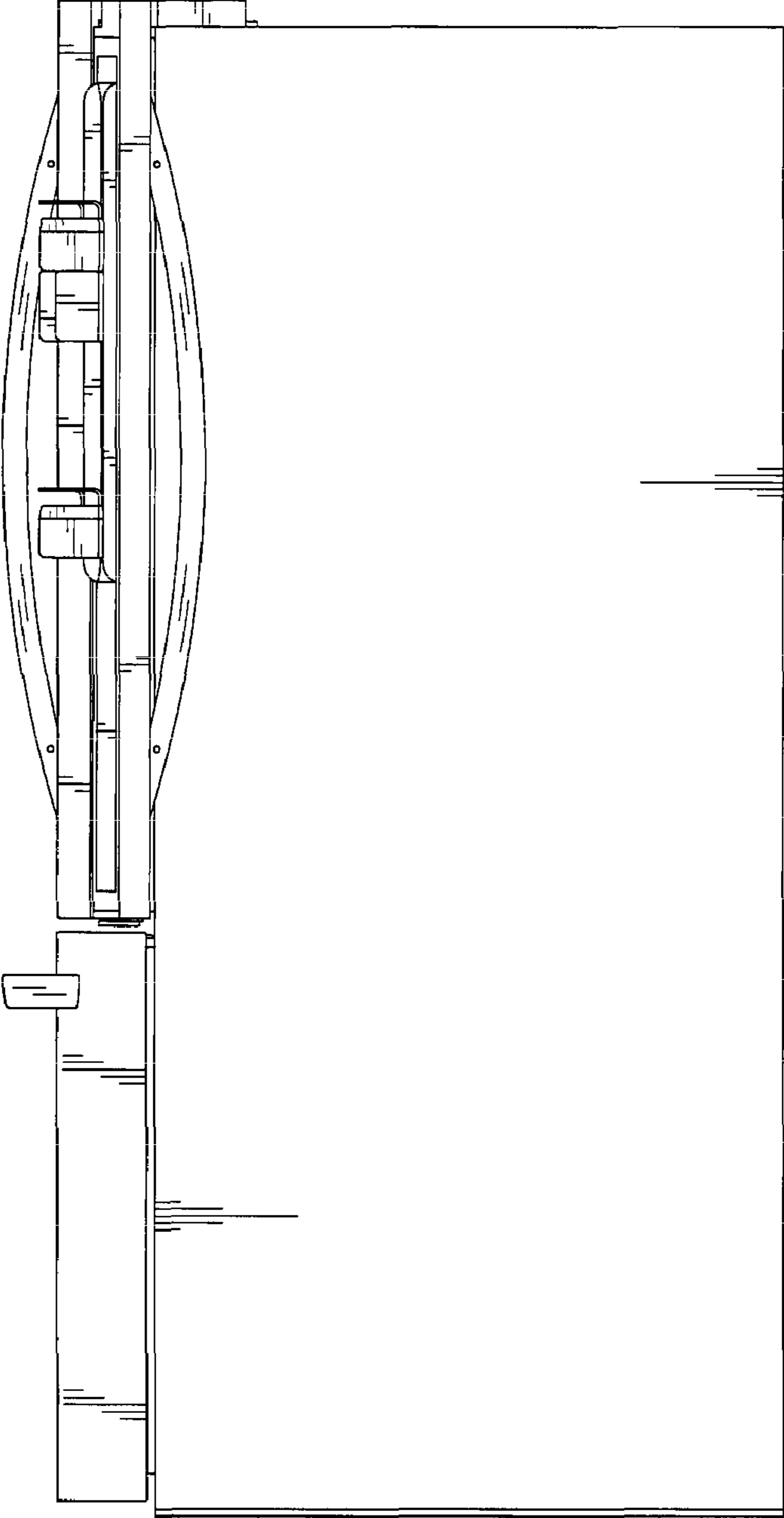


FIG. 13

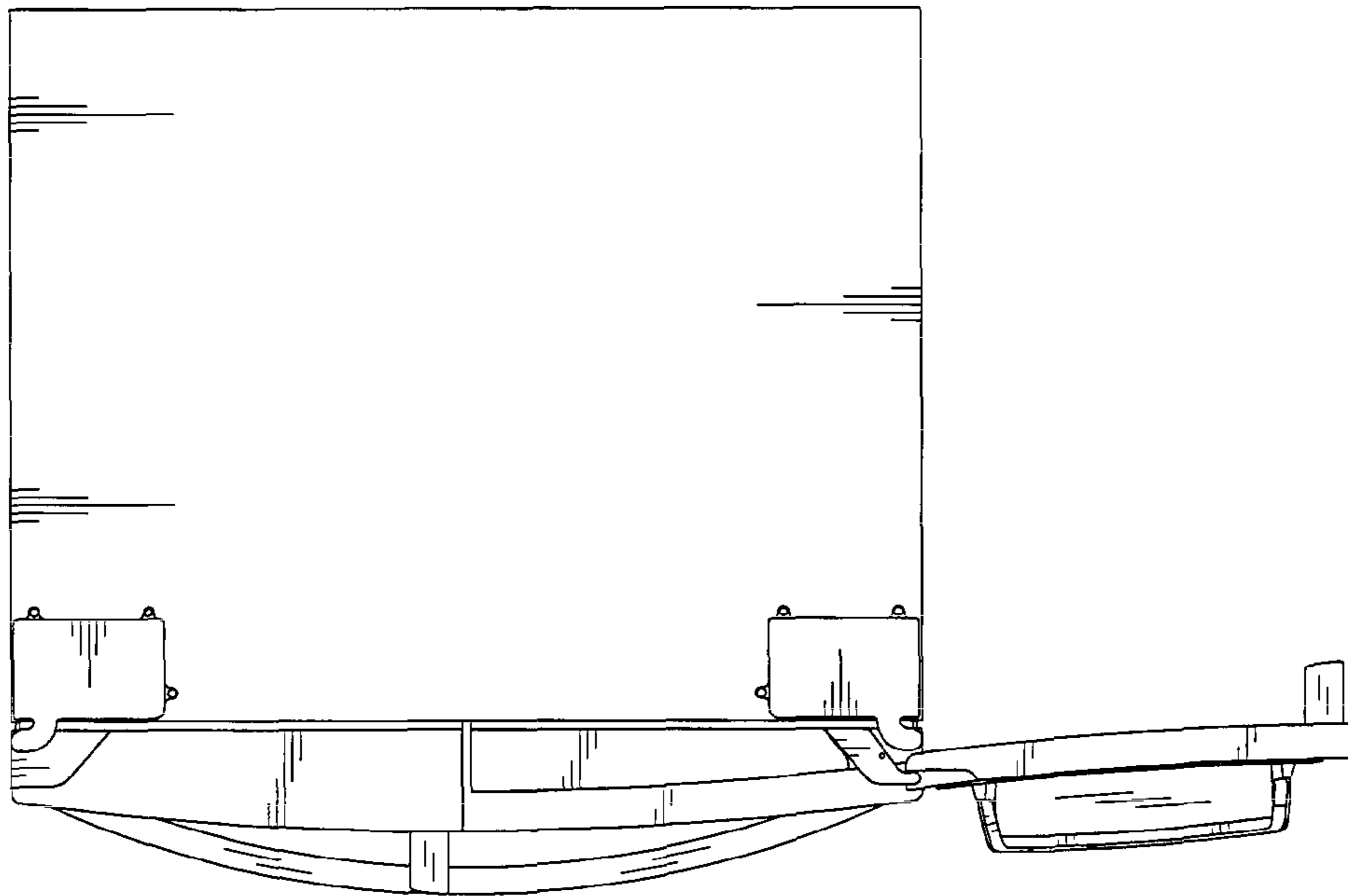


FIG. 14

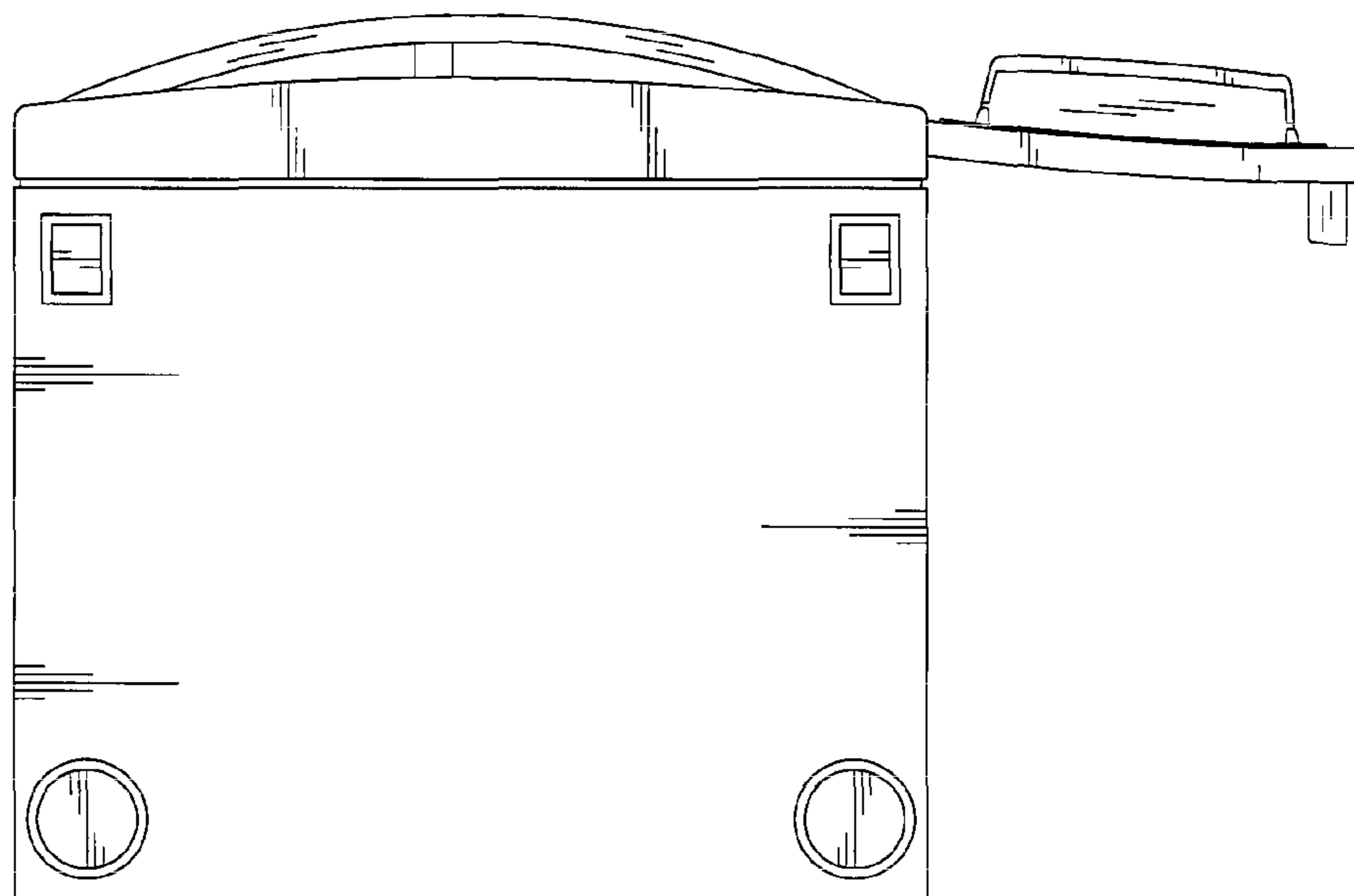


FIG. 15

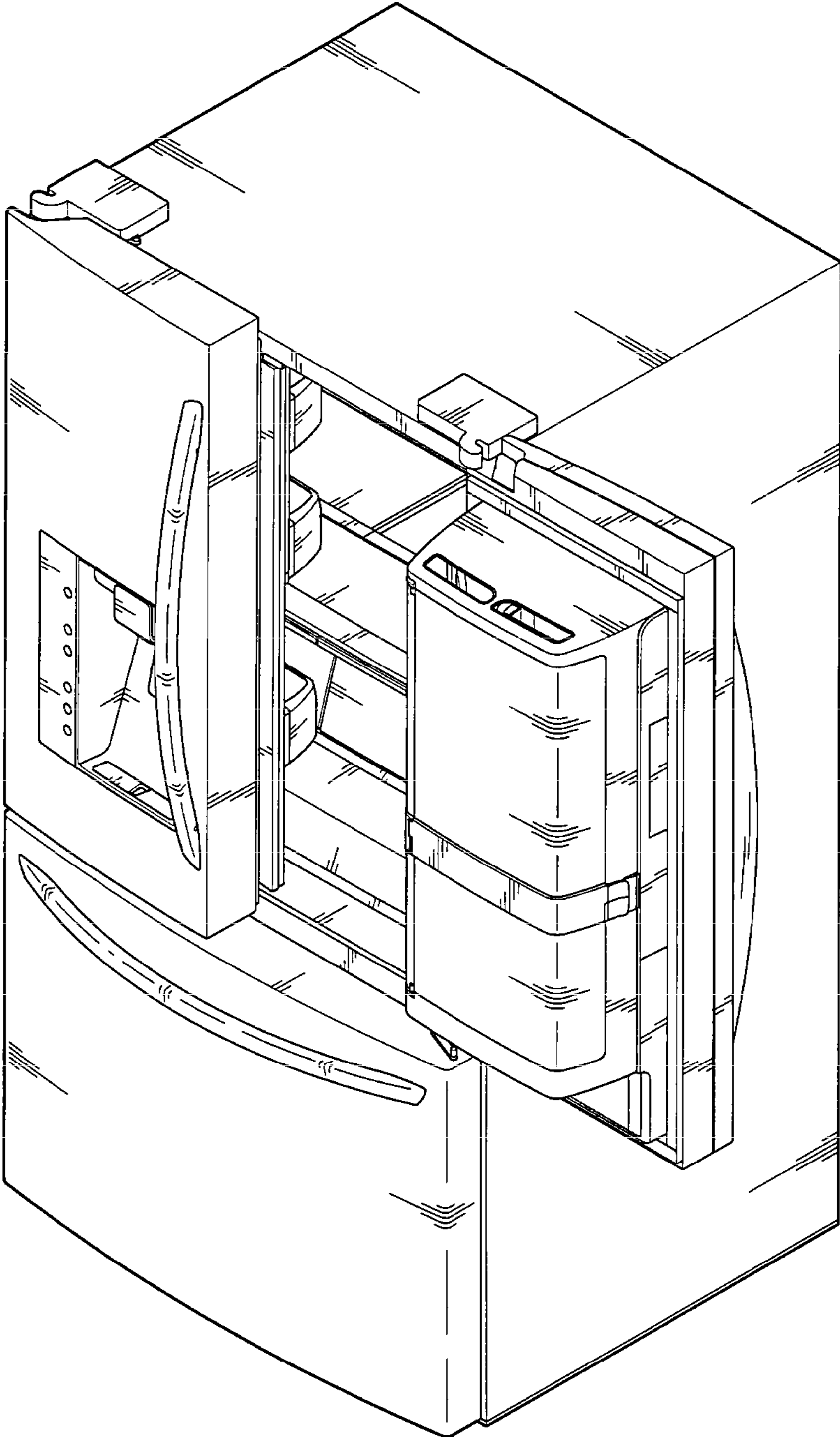


FIG. 16

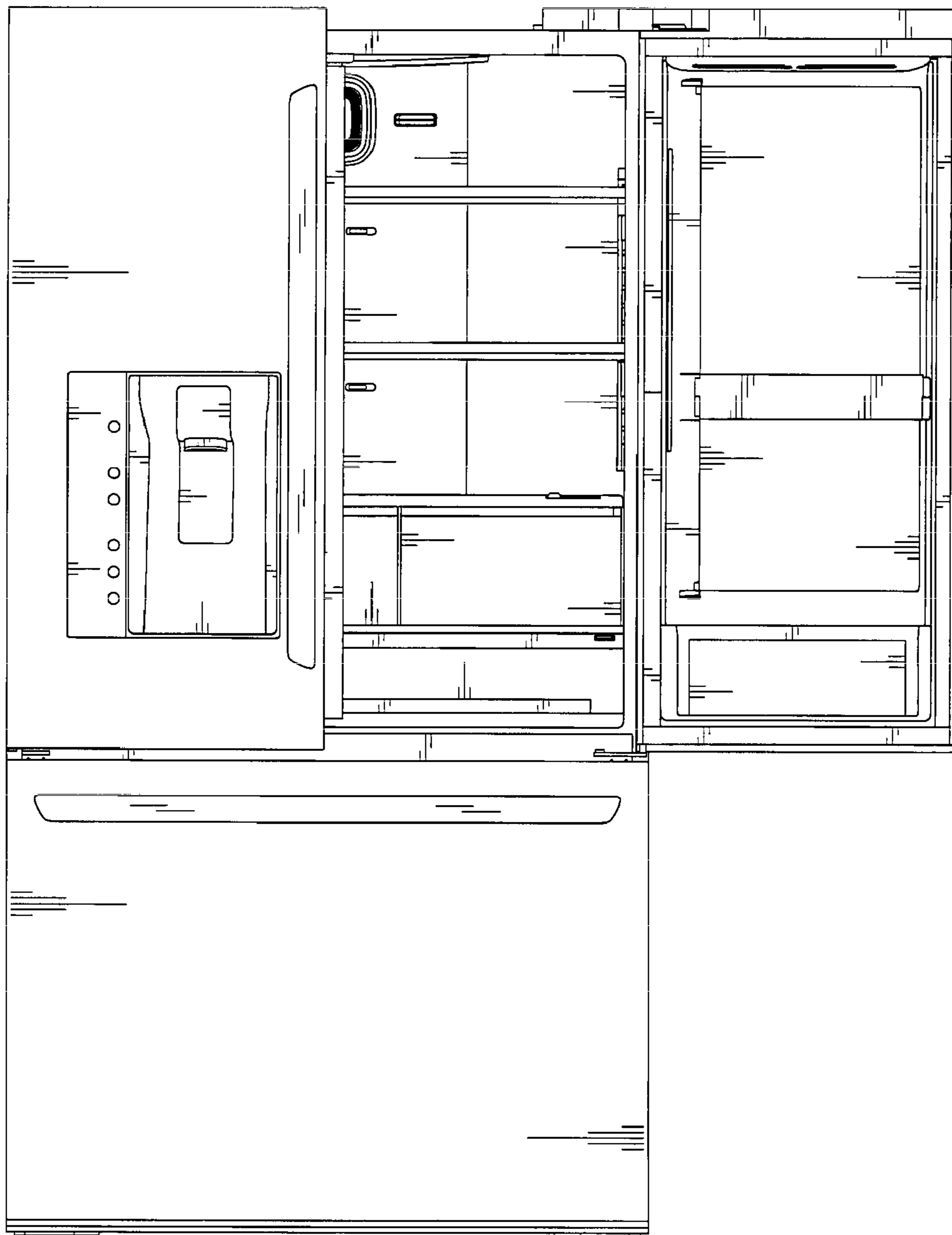


FIG. 17

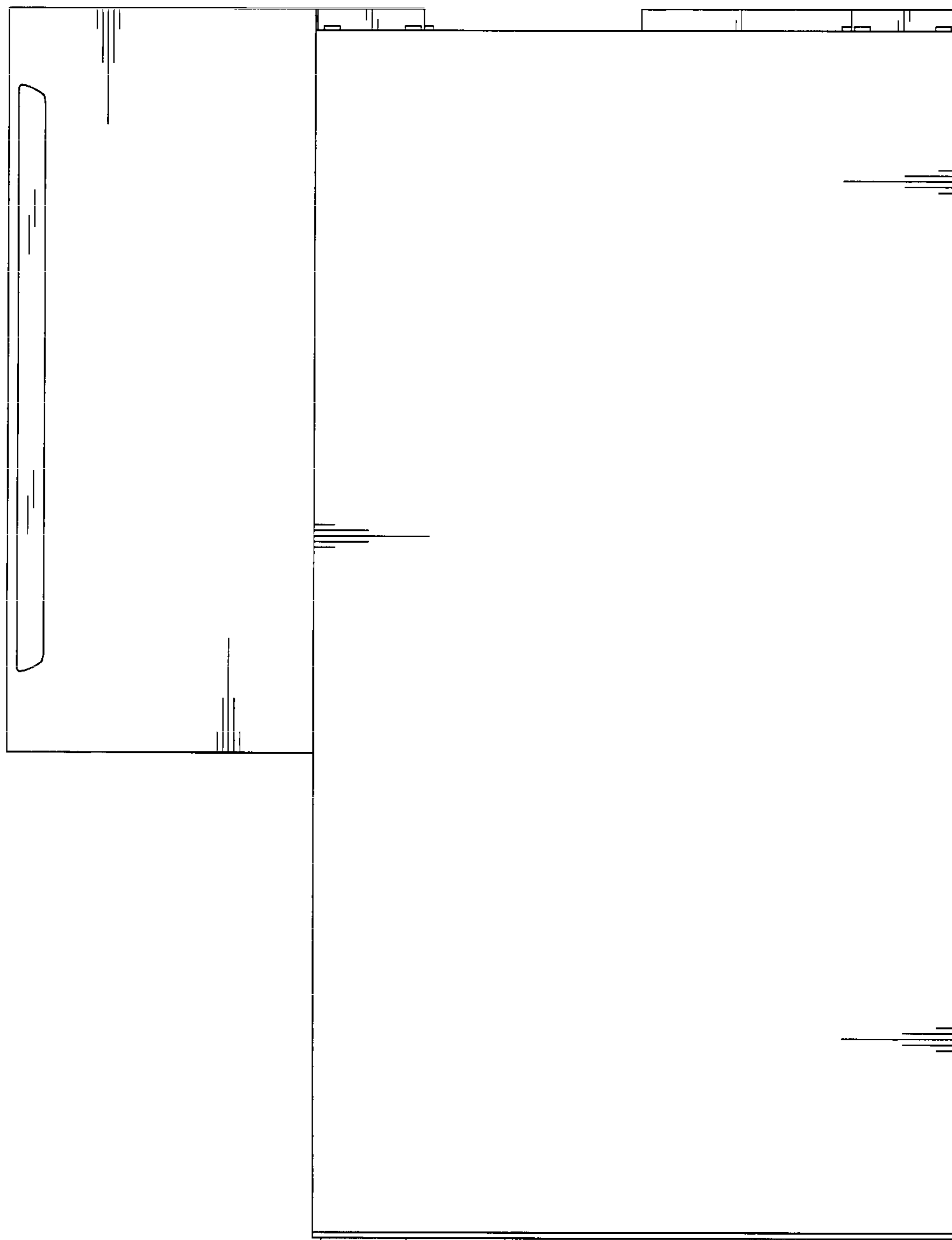


FIG. 18

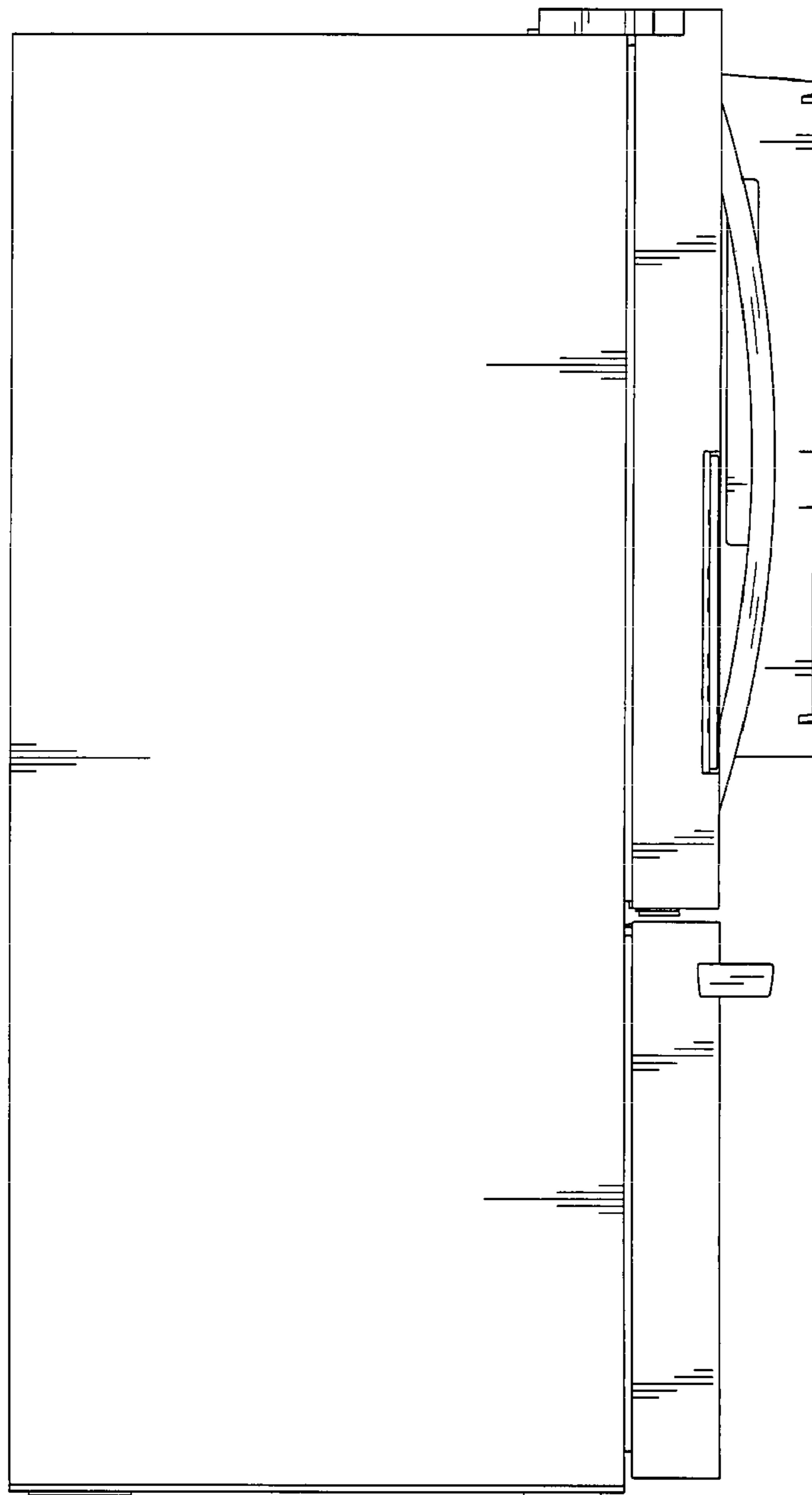


FIG. 19

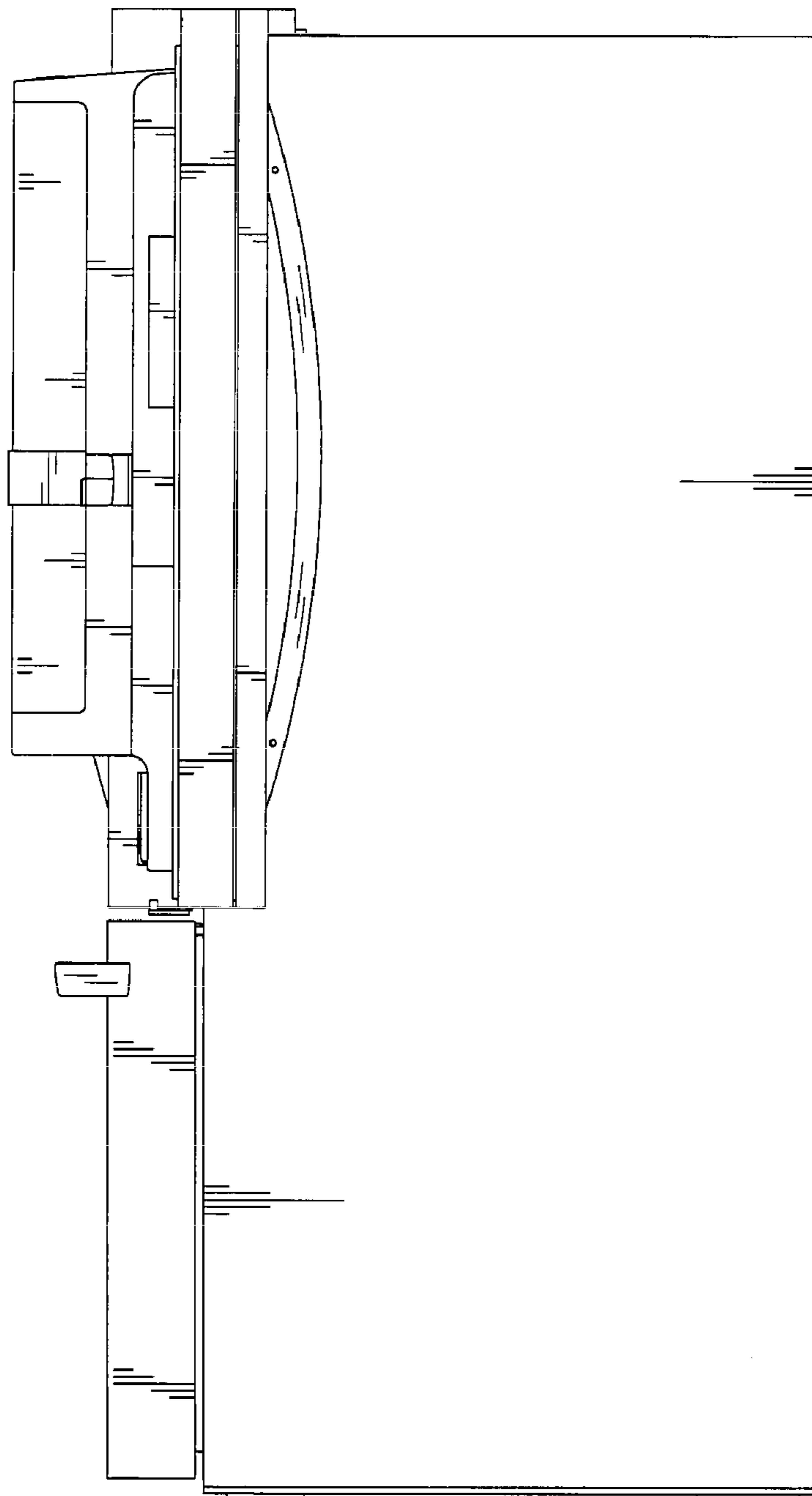


FIG. 20

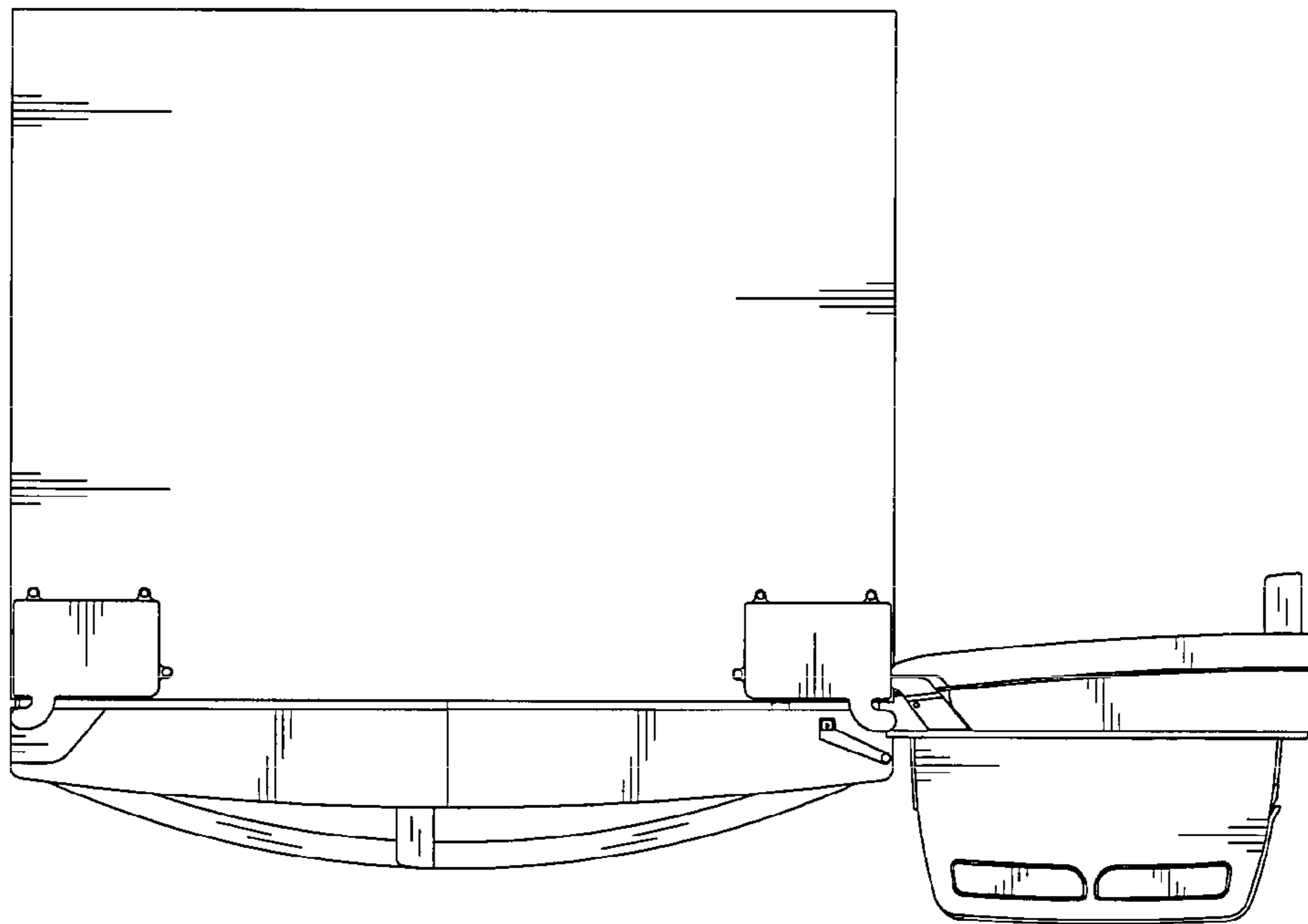


FIG. 21

