



US00D657400S

(12) **United States Design Patent**  
**Loew**

(10) **Patent No.:** **US D657,400 S**  
(45) **Date of Patent:** **\*\* Apr. 10, 2012**

(54) **FRONT PART AND ENGINE HOOD OF A TANDEM ROLLER**

(75) Inventor: **Roland Loew, Klein-Winternheim (DE)**

(73) Assignee: **BOMAG GmbH, Boppard (DE)**

(\*\*) Term: **14 Years**

(21) Appl. No.: **29/403,176**

(22) Filed: **Oct. 3, 2011**

(30) **Foreign Application Priority Data**

Apr. 6, 2011 (EP) ..... 001846924-0003

(51) **LOC (9) Cl.** ..... **15-03**

(52) **U.S. Cl.** ..... **D15/31; D15/20**

(58) **Field of Classification Search** ..... D15/10,  
D15/11, 28, 22-26, 30, 31, 33; D12/163,  
D12/166, 170-172; 56/13.3, 13.4, 15.8,  
56/15.9, 16.1, 16.7, 202; 180/89.1, 89.12,  
180/900, 68.4, 69.2; 293/115

See application file for complete search history.

(56) **References Cited**

**U.S. PATENT DOCUMENTS**

2,777,709	A *	1/1957	Tucker	.....	280/104
D185,841	S *	8/1959	Schertzer	.....	D15/20
D194,350	S *	1/1963	Peterson	.....	D15/20
3,176,597	A *	4/1965	Seaman	.....	404/117
D207,532	S *	5/1967	Garls	.....	D15/20
D246,370	S *	11/1977	Lorenz	.....	D15/31
D275,678	S *	9/1984	Mawhorr et al.	.....	D15/20
D297,330	S *	8/1988	Monehaie et al.	.....	D15/31
5,177,415	A *	1/1993	Quibel et al.	.....	318/128
D371,372	S *	7/1996	Westimayer et al.	.....	D15/31
D381,025	S *	7/1997	Bataille	.....	D15/31

D383,470	S *	9/1997	Westimayer et al.	.....	D15/31
D389,492	S *	1/1998	Schmidt et al.	.....	D15/31
D396,431	S *	7/1998	Lindgren et al.	.....	D12/14
D396,727	S *	8/1998	Geier et al.	.....	D15/20
5,803,198	A *	9/1998	Baxter et al.	.....	180/69.21
D413,905	S *	9/1999	Schmidt et al.	.....	D15/31
6,167,977	B1 *	1/2001	Adamson et al.	.....	180/69.2
D448,037	S *	9/2001	Westimayer et al.	.....	D15/31
D483,383	S *	12/2003	Crookes et al.	.....	D15/31
D488,488	S *	4/2004	Montgomery et al.	.....	D15/31
D488,489	S *	4/2004	Montgomery et al.	.....	D15/31
D516,094	S *	2/2006	Dotsch et al.	.....	D15/20
D554,669	S *	11/2007	Crookes et al.	.....	D15/31
D560,693	S *	1/2008	Moen et al.	.....	D15/31

(Continued)

*Primary Examiner* — Mark Goodwin

(74) *Attorney, Agent, or Firm* — Wood, Herron & Evans, LLP

(57) **CLAIM**

The ornamental design for a front part and engine hood of a tandem roller, as shown and described.

**DESCRIPTION**

FIG. 1 is an isometric view of a front part and engine hood of a tandem roller showing my new design.

FIG. 2 is a right side view of the front part and engine hood of a tandem roller shown in FIG. 1.

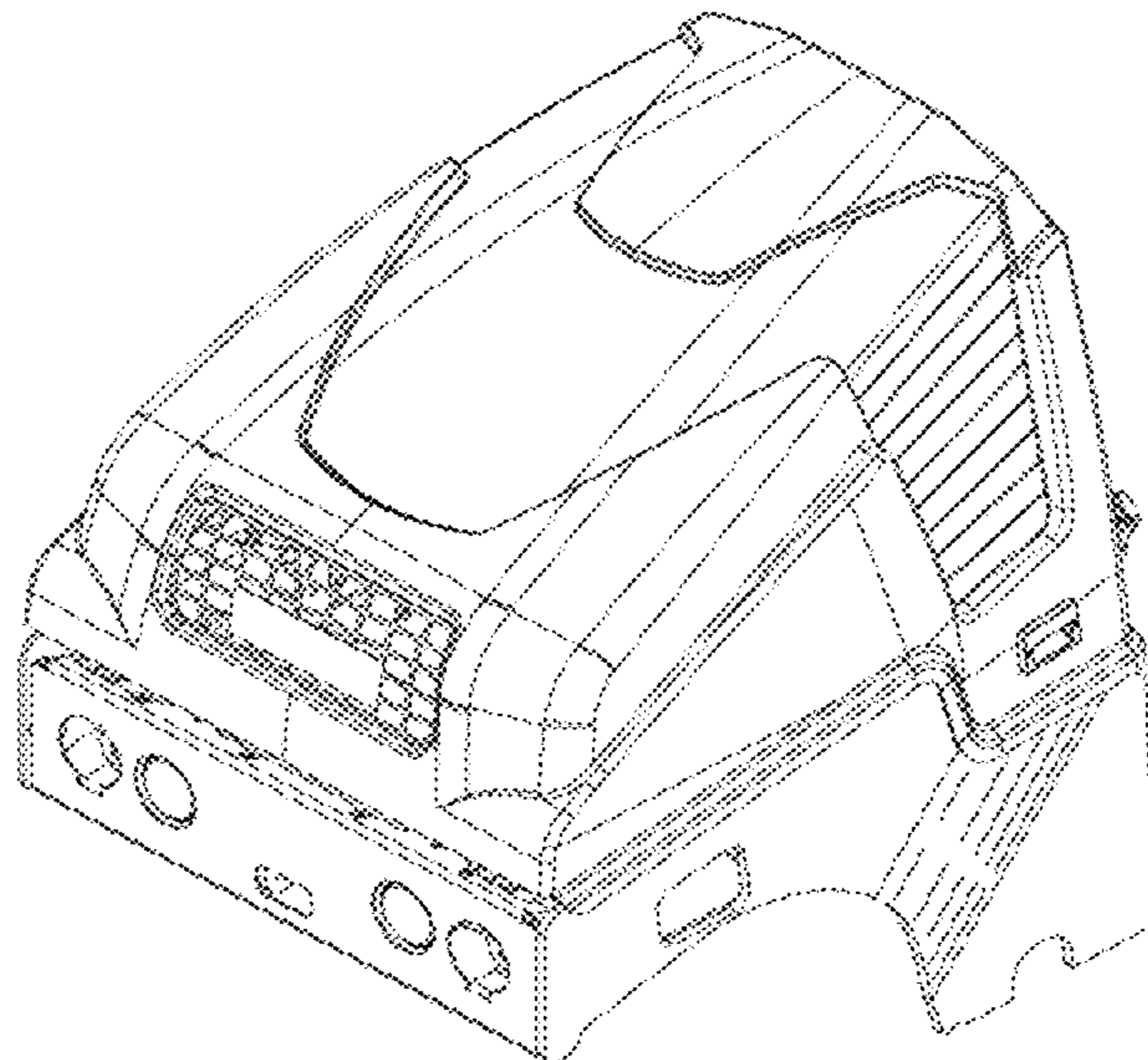
FIG. 3 is a left side view of the front part and engine hood of a tandem roller shown in FIG. 1.

FIG. 4 is a front view of the front part and engine hood of a tandem roller shown in FIG. 1.

FIG. 5 is a rear view of the front part and engine hood of a tandem roller shown in FIG. 1; and,

FIG. 6 is a top view of the front part and engine hood of a tandem roller shown in FIG. 1.

**1 Claim, 6 Drawing Sheets**



# US D657,400 S

Page 2

---

## U.S. PATENT DOCUMENTS

D570,382 S *	6/2008	Higashikawa .....	D15/31	D591,777 S *	5/2009	Kokitkar et al. ....	D15/31
D573,611 S *	7/2008	Geier .....	D15/20	D602,506 S *	10/2009	Marsolek et al. ....	D15/30
D589,067 S *	3/2009	Yamamoto .....	D15/28	D611,505 S *	3/2010	Loew et al. ....	D15/20
7,497,642 B2 *	3/2009	Raymond et al. ....	404/132	D611,506 S *	3/2010	Loew et al. ....	D15/20

\* cited by examiner

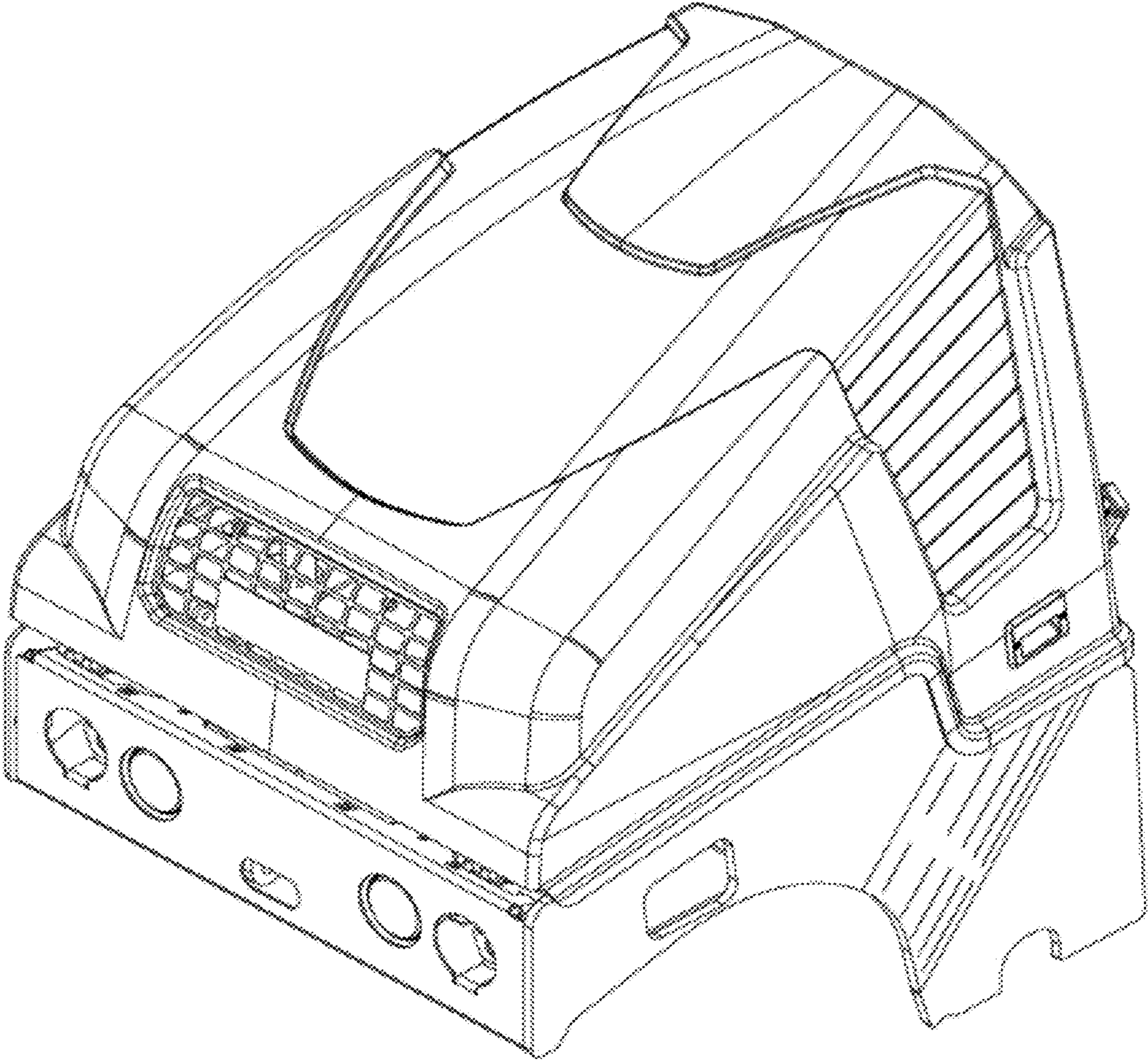


FIG. 1



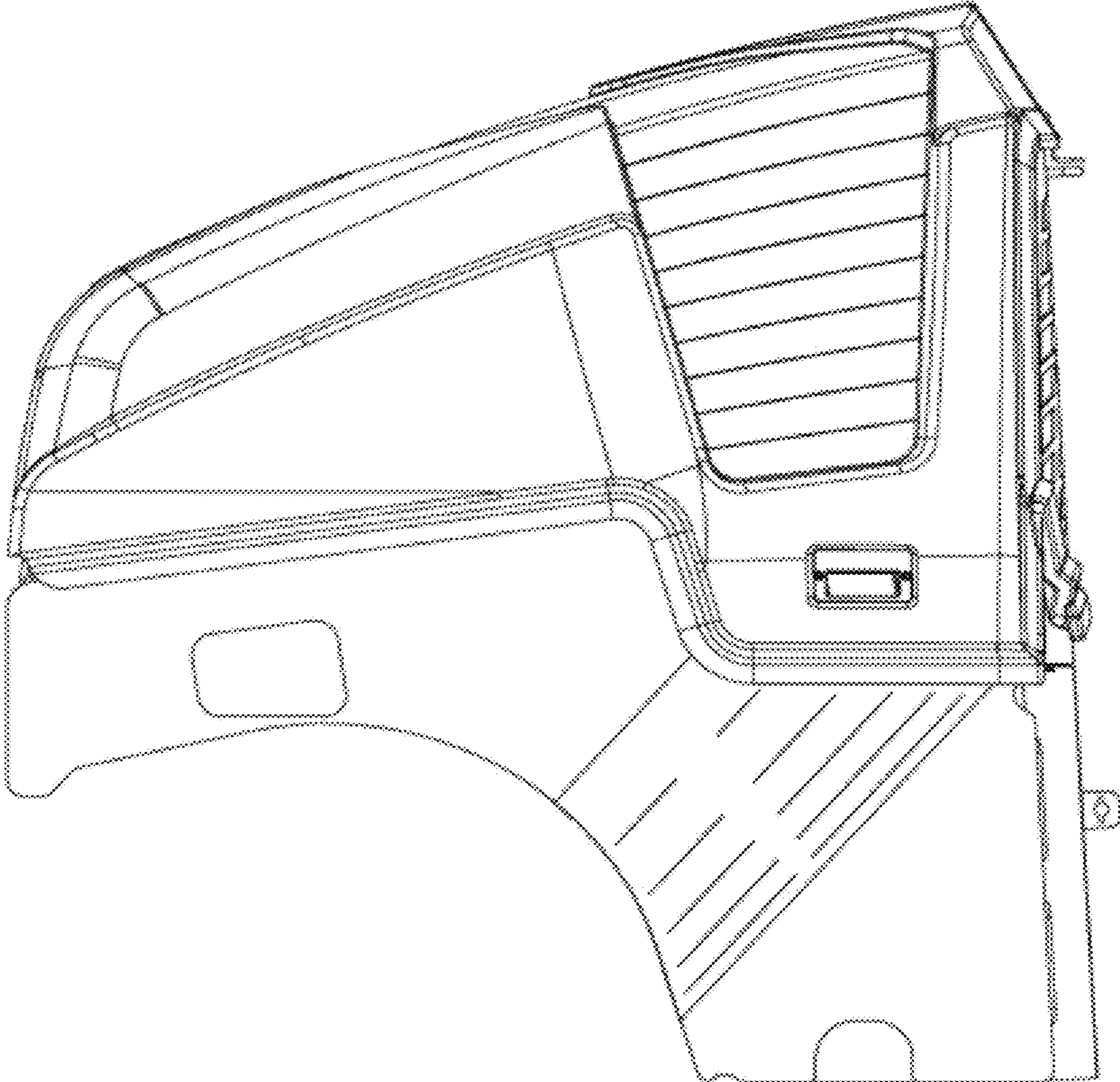


FIG. 2

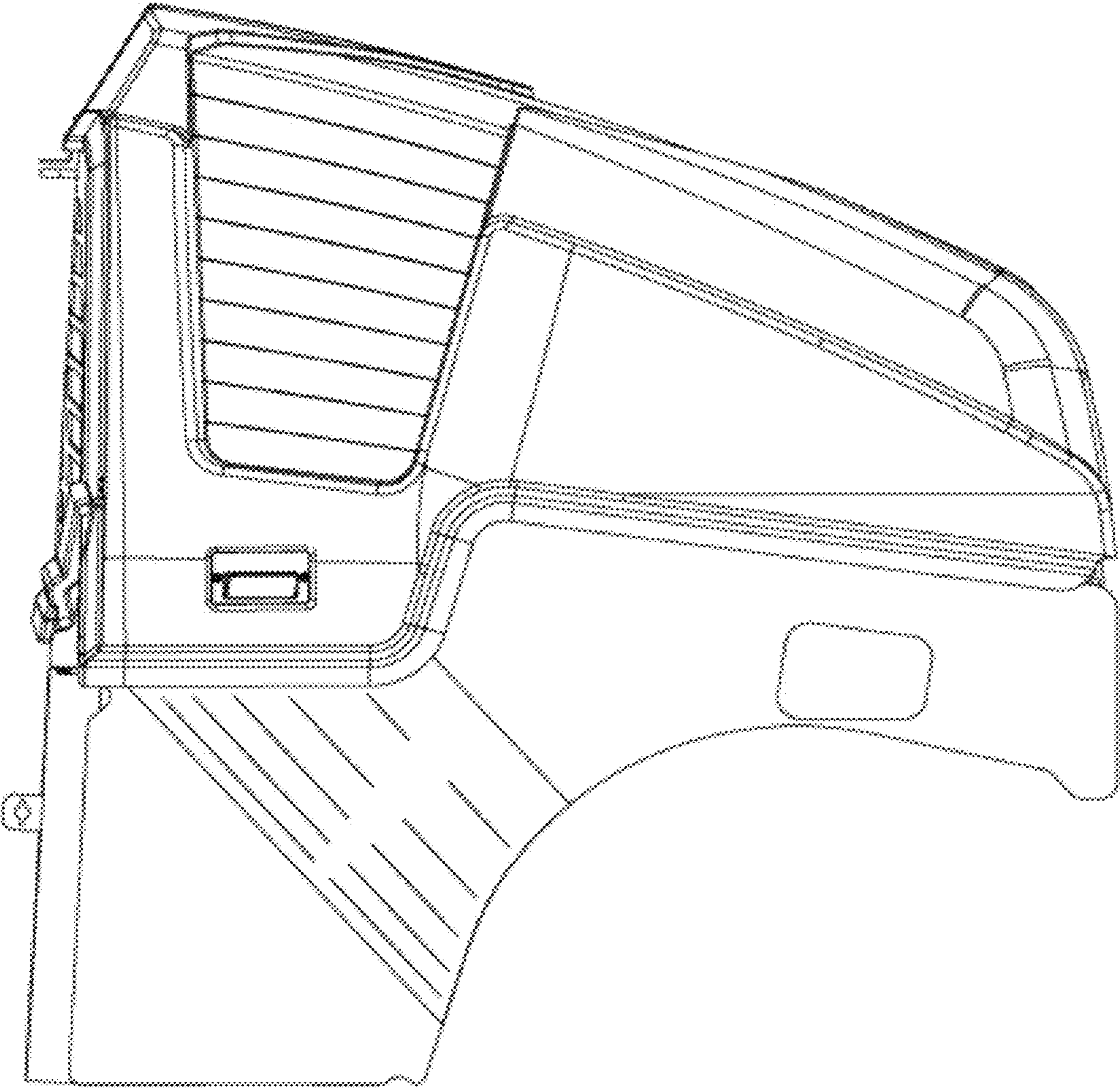


FIG. 3



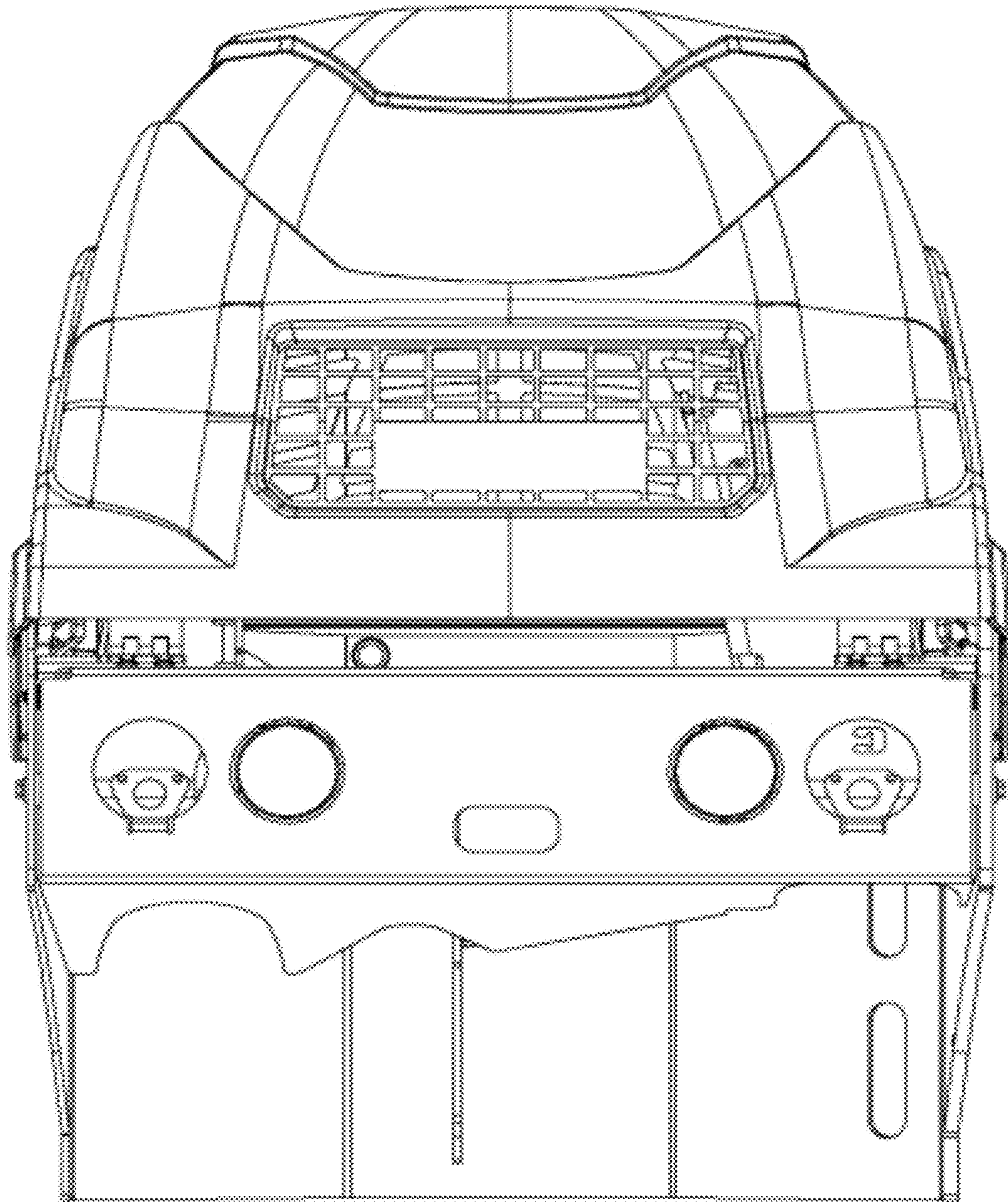


FIG. 4

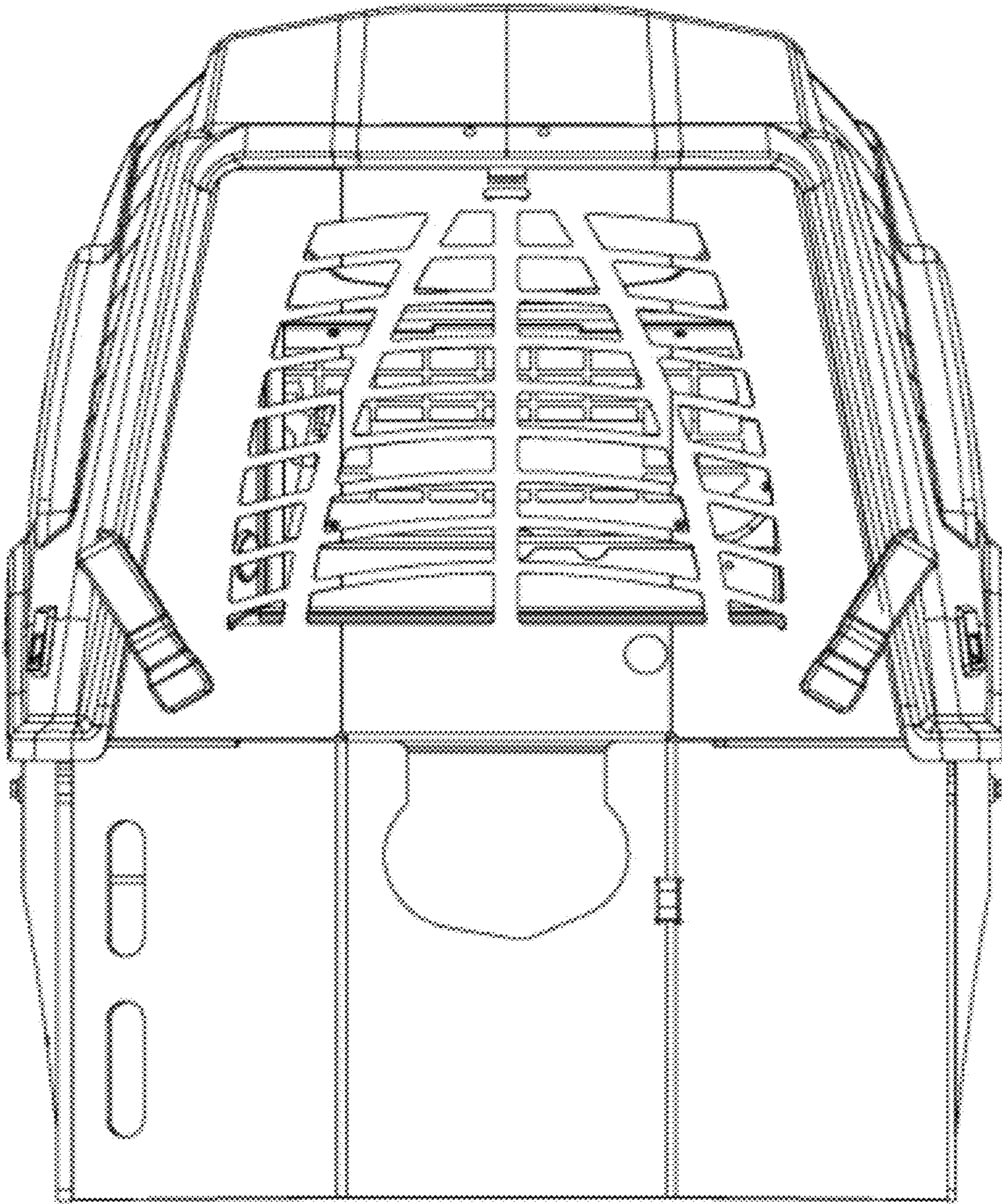


FIG. 5



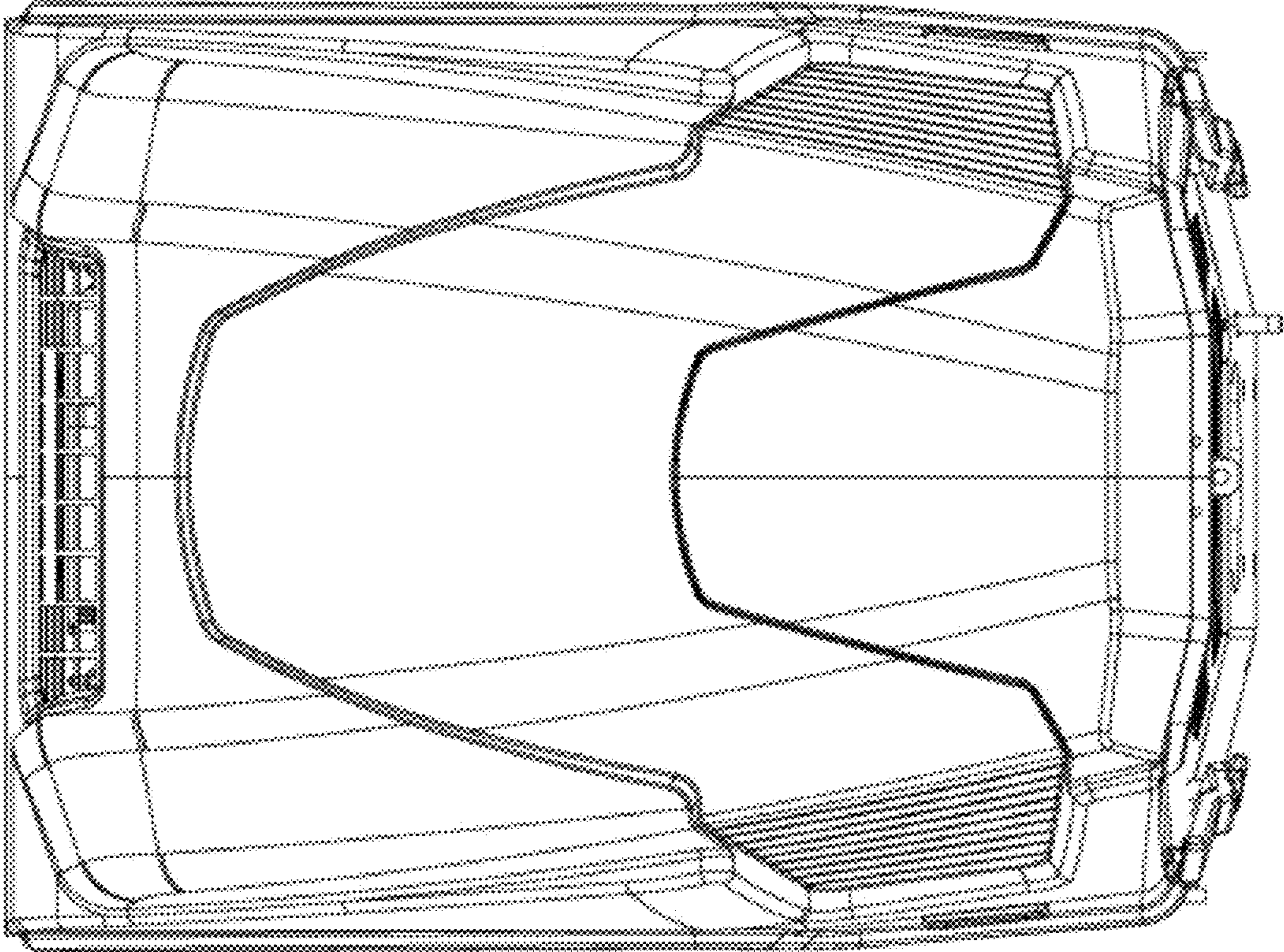


FIG. 6