



US00D657398S

(12) **United States Design Patent**
Calderwood et al.

(10) **Patent No.:** **US D657,398 S**
(45) **Date of Patent:** **** Apr. 10, 2012**

(54) **PORTABLE MONITORING DEVICE**

(75) Inventors: **Bryan Leslie Calderwood**, Murrieta, CA (US); **Gordon Stewart Miller**, North Berwick (GB); **James Alexander Ward**, Peebles (GB); **Graham Peter Menzies**, Livingston (GB)

(73) Assignee: **Aktiebolaget SKF**, Gothenburg (SE)

(**) Term: **14 Years**

(21) Appl. No.: **29/312,321**

(22) Filed: **Oct. 14, 2008**

(51) **LOC (9) Cl.** **15-03**

(52) **U.S. Cl.** **D15/28**

(58) **Field of Classification Search** D15/28;
D14/341-347, 426-428, 430, 431, 496, 125,
D14/126, 129; D18/1, 2, 7; 341/20, 22,
341/23

See application file for complete search history.

(56) **References Cited**

U.S. PATENT DOCUMENTS

D239,287 S *	3/1976	Ault	D14/341
D382,870 S *	8/1997	Siddoway	D14/137
D391,234 S *	2/1998	Chacon et al.	D14/341
D392,282 S *	3/1998	Ahearn et al.	D14/346
D412,990 S *	8/1999	Woolston et al.	D24/223
D413,328 S *	8/1999	Kazama	D14/218
D561,116 S *	2/2008	Kato	D13/168
D580,801 S *	11/2008	Takach et al.	D10/50

D584,694 S *	1/2009	Greitzke	D13/168
D592,081 S *	5/2009	Kachlick et al.	D10/50
D594,361 S *	6/2009	Miller et al.	D10/78
D595,267 S *	6/2009	Dozoretz et al.	D14/218
D619,543 S *	7/2010	Nakai	D13/168
D631,871 S *	2/2011	Demskie et al.	D14/218
D636,761 S *	4/2011	Hansen et al.	D14/218
D637,469 S *	5/2011	Su	D8/107
D638,422 S *	5/2011	Reed et al.	D14/347
D641,734 S *	7/2011	Chou et al.	D14/218
D642,161 S *	7/2011	Akana et al.	D14/218
D643,034 S *	8/2011	Tasselli et al.	D14/347

* cited by examiner

Primary Examiner — Mark Goodwin

(74) *Attorney, Agent, or Firm* — Mark Ussai

(57) **CLAIM**

We claim the ornamental design for a portable monitoring device, as shown and described.

DESCRIPTION

FIG. 1 is a perspective view of a portable monitoring device showing our new design;

FIG. 2 is a front view thereof;

FIG. 3 is a rear view thereof;

FIG. 4 is a top plan view thereof;

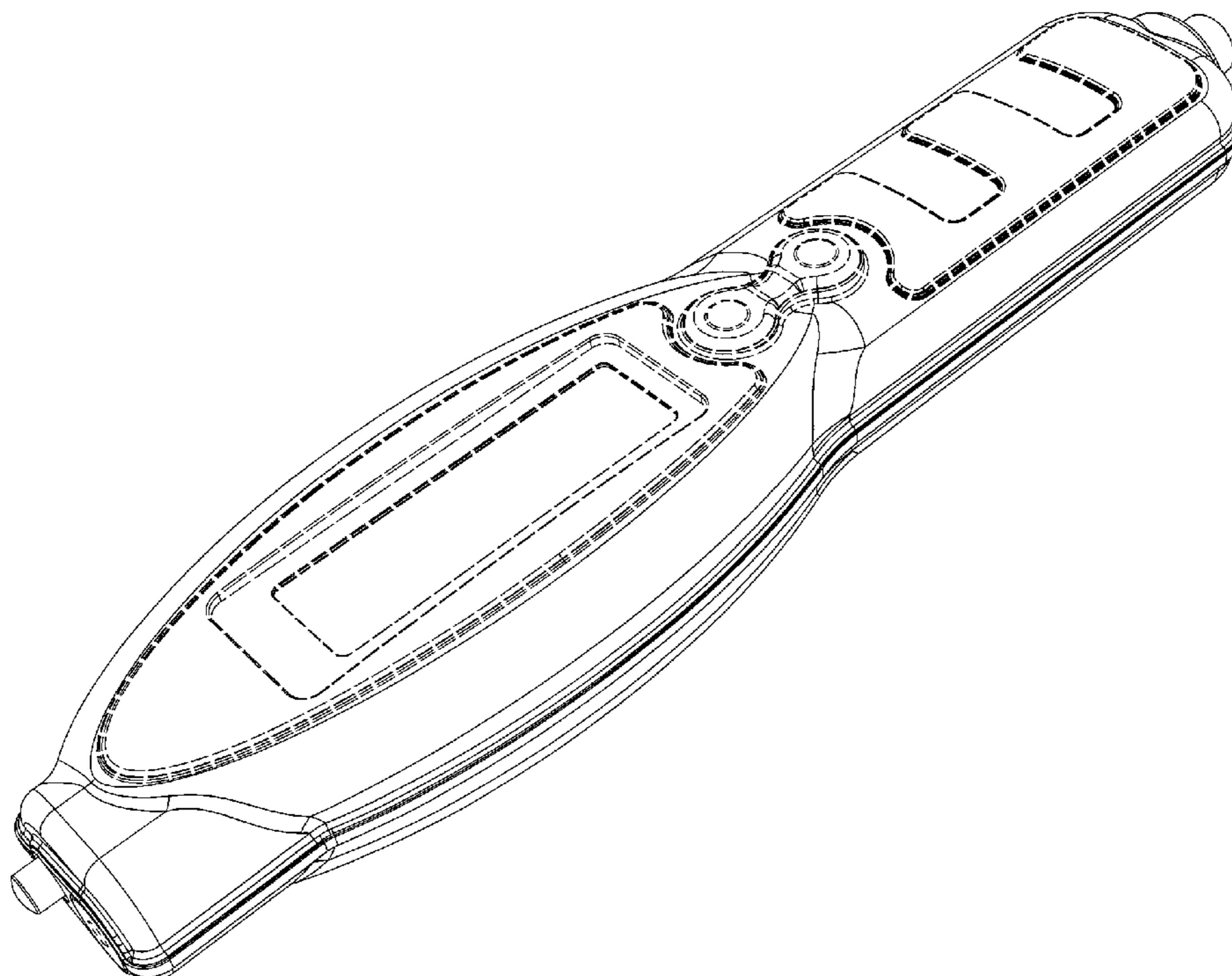
FIG. 5 is a bottom plan view thereof;

FIG. 6 is an enlarged left end view thereof; and,

FIG. 7 is an enlarged right end view thereof.

The portions of the monitoring device depicted by means of broken lines in the drawing figures form no part of the claimed design.

1 Claim, 7 Drawing Sheets



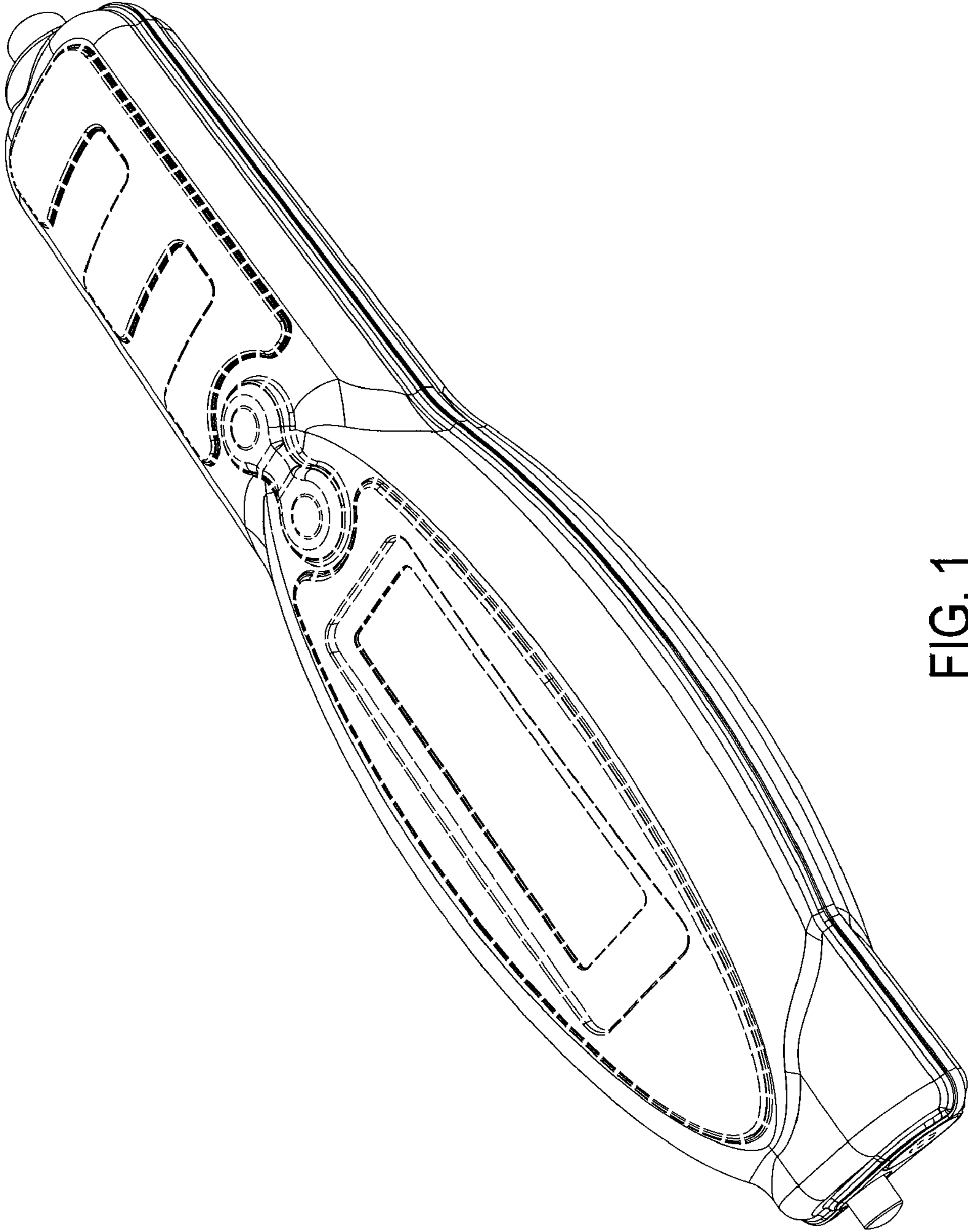


FIG. 1

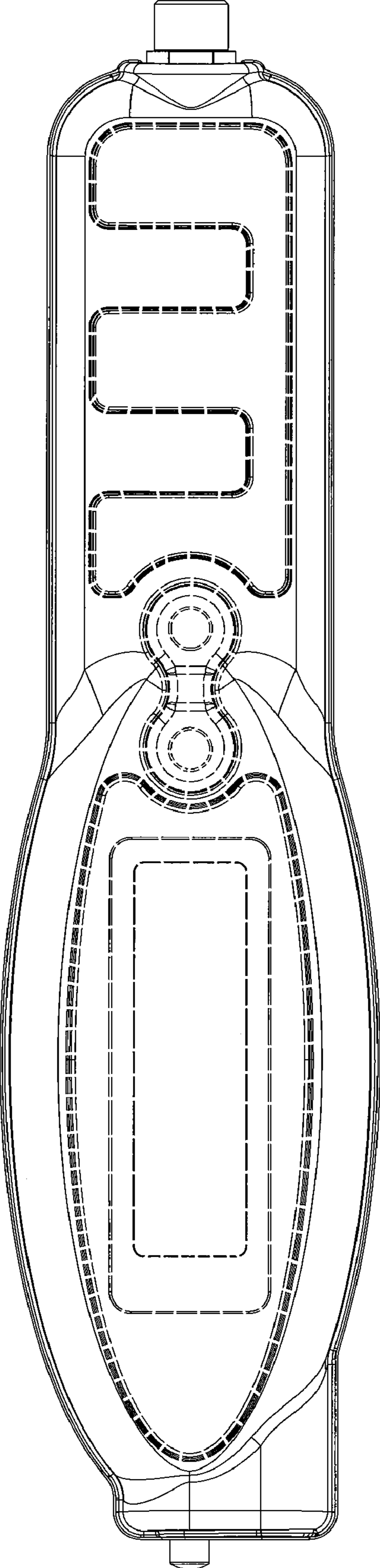


FIG. 2

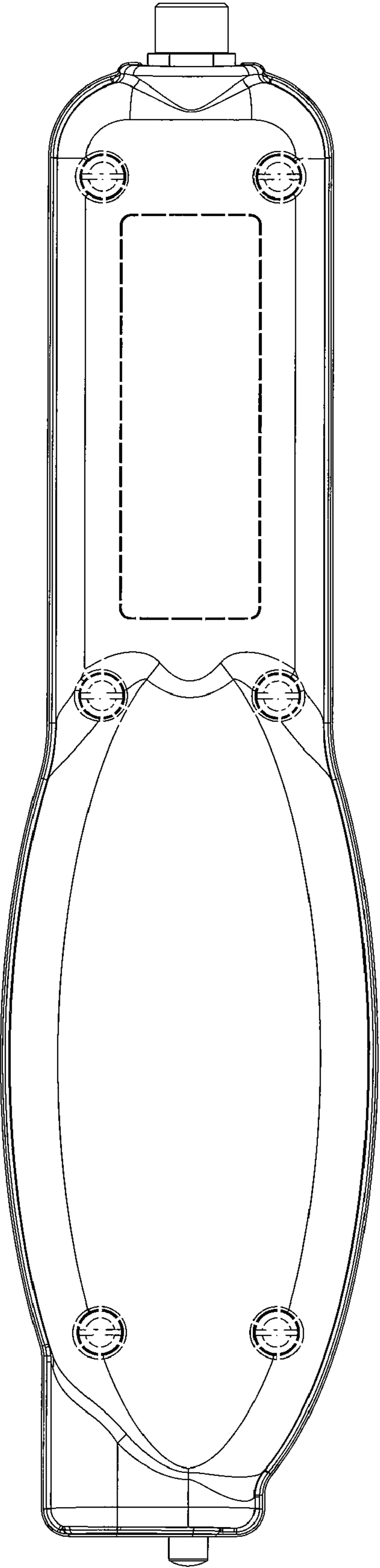


FIG. 3

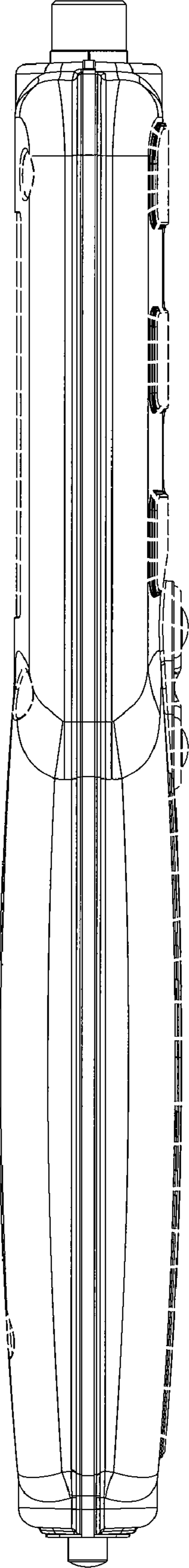


FIG. 4

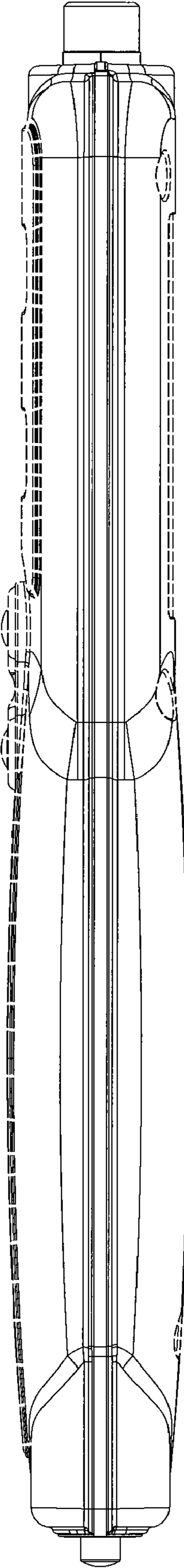


FIG. 5

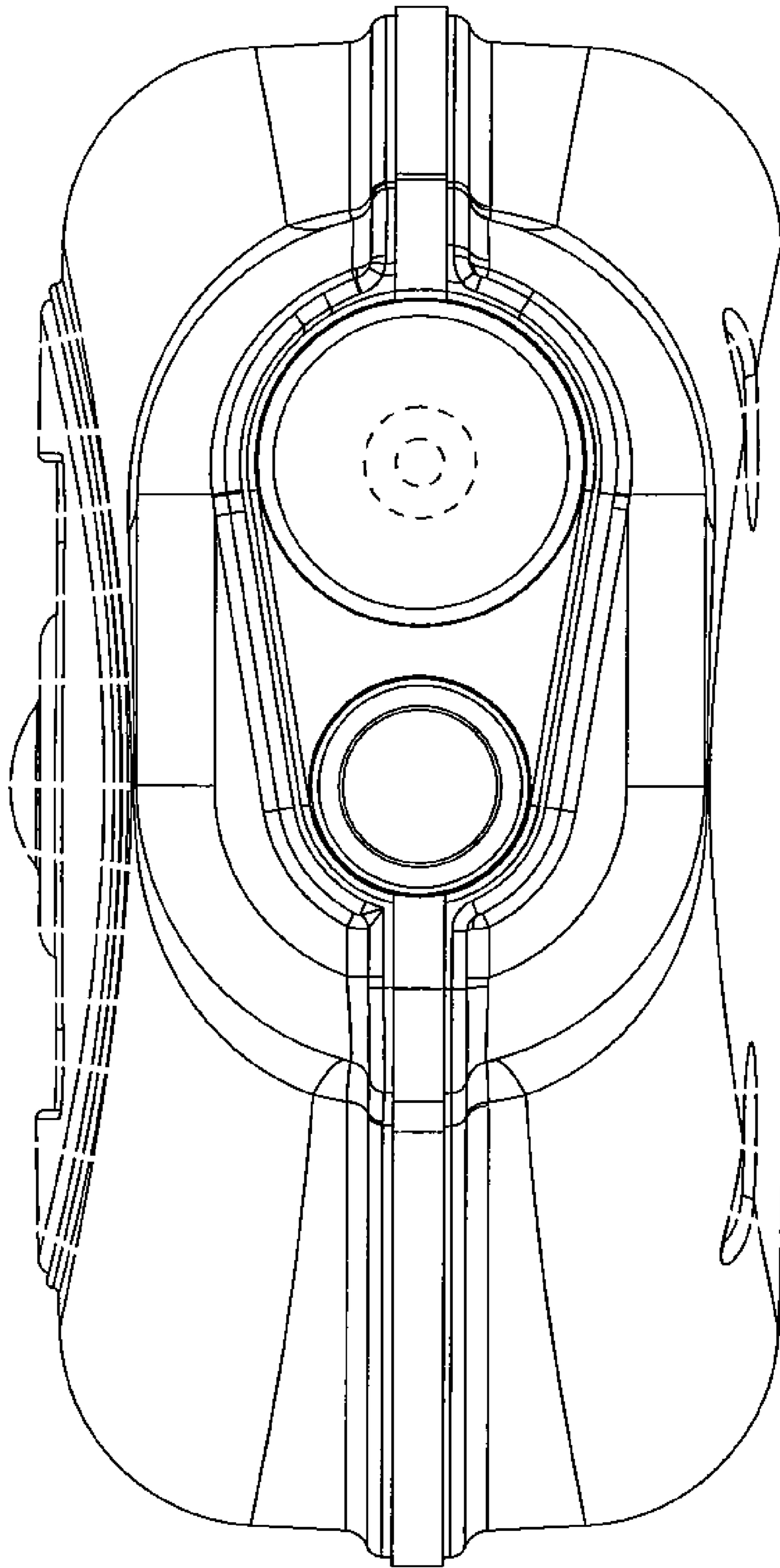


FIG. 6

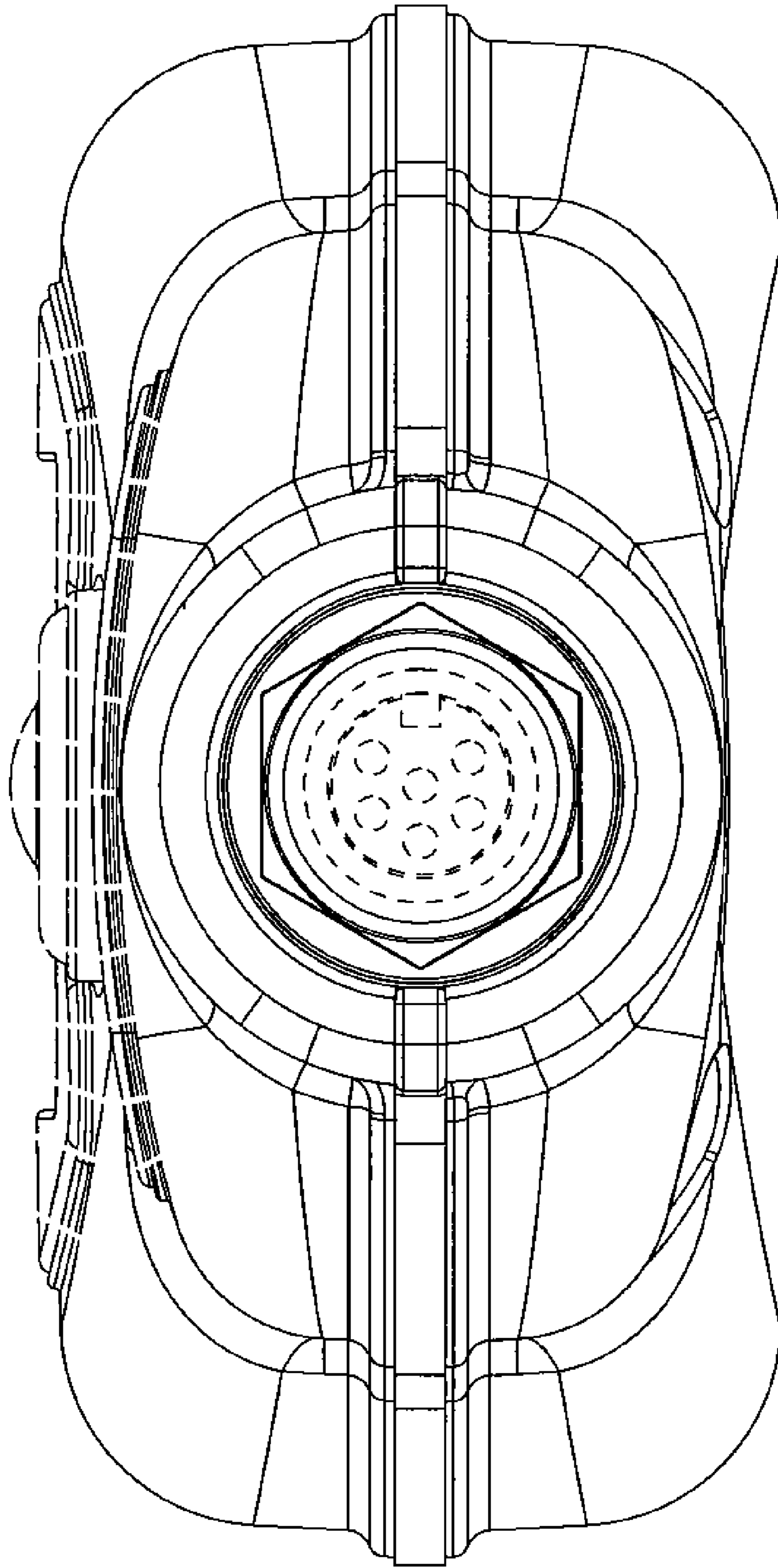


FIG. 7