



US00D657397S

(12) **United States Design Patent**  
**Loew**

(10) **Patent No.:** **US D657,397 S**  
(45) **Date of Patent:** **\*\* Apr. 10, 2012**

(54) **TANDEM ROLLER**

(75) Inventor: **Roland Loew**, Klein-Winternheim (DE)

(73) Assignee: **Bomag GmbH**, Boppard (DE)

(\*\*) Term: **14 Years**

(21) Appl. No.: **29/403,175**

(22) Filed: **Oct. 3, 2011**

(30) **Foreign Application Priority Data**

Apr. 6, 2011 (EP) ..... 001846924-0002

(51) **LOC (9) Cl.** ..... **15-03**

(52) **U.S. Cl.** ..... **D15/20**

(58) **Field of Classification Search** ..... D15/10,  
D15/20, 22, 23; 180/20, 89.1, 89.12; 404/122,  
404/125, 132, 117, 124  
See application file for complete search history.

(56) **References Cited**

**U.S. PATENT DOCUMENTS**

2,777,709	A *	1/1957	Tucker	.....	280/104
D185,841	S *	8/1959	Schertzer	.....	D15/20
D194,350	S *	1/1963	Peterson	.....	D15/20
3,176,597	A *	4/1965	Seaman	.....	404/117
D207,532	S *	5/1967	Garls	.....	D15/20
D275,678	S *	9/1984	Mawhorr et al.	.....	D15/20
5,177,415	A *	1/1993	Quibel et al.	.....	318/128

D396,431	S *	7/1998	Lindgren et al.	.....	D12/14
D396,727	S *	8/1998	Geier et al.	.....	D15/20
D516,094	S *	2/2006	Dotsch et al.	.....	D15/20
D573,611	S *	7/2008	Geier	.....	D15/20
D589,067	S *	3/2009	Yamamoto	.....	D15/28
7,497,642	B2 *	3/2009	Raymond et al.	.....	404/132
D602,506	S *	10/2009	Marsolek et al.	.....	D15/30
D611,505	S *	3/2010	Loew et al.	.....	D15/20
D611,506	S *	3/2010	Loew et al.	.....	D15/20

\* cited by examiner

*Primary Examiner* — Mark Goodwin

(74) *Attorney, Agent, or Firm* — Wood, Herron & Evans, LLP

(57) **CLAIM**

The ornamental design for a tandem roller, as shown and described.

**DESCRIPTION**

FIG. 1 is an isometric view of a tandem roller showing my new design, with environment shown in broken lines.

FIG. 2 is a right side view of the tandem roller shown in FIG. 1.

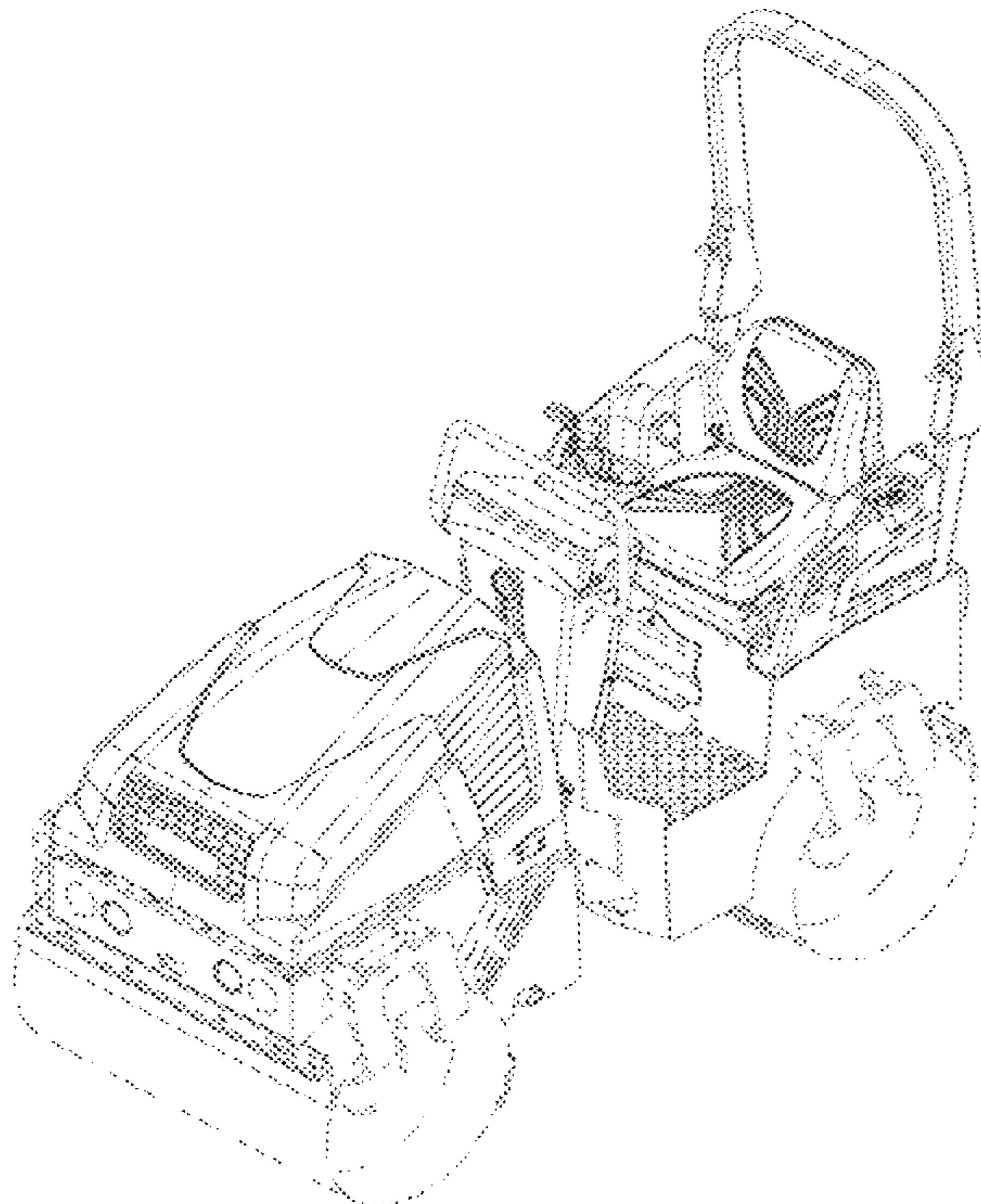
FIG. 3 is a left side view of the tandem roller shown in FIG. 1.

FIG. 4 is a front view of the tandem roller shown in FIG. 1.

FIG. 5 is a rear view of the tandem roller shown in FIG. 1; and, FIG. 6 is a top view of the tandem roller shown in FIG. 1.

The features of the tandem roller shown in broken lines are for illustrative purposes only and form no part of the claimed design.

**1 Claim, 6 Drawing Sheets**



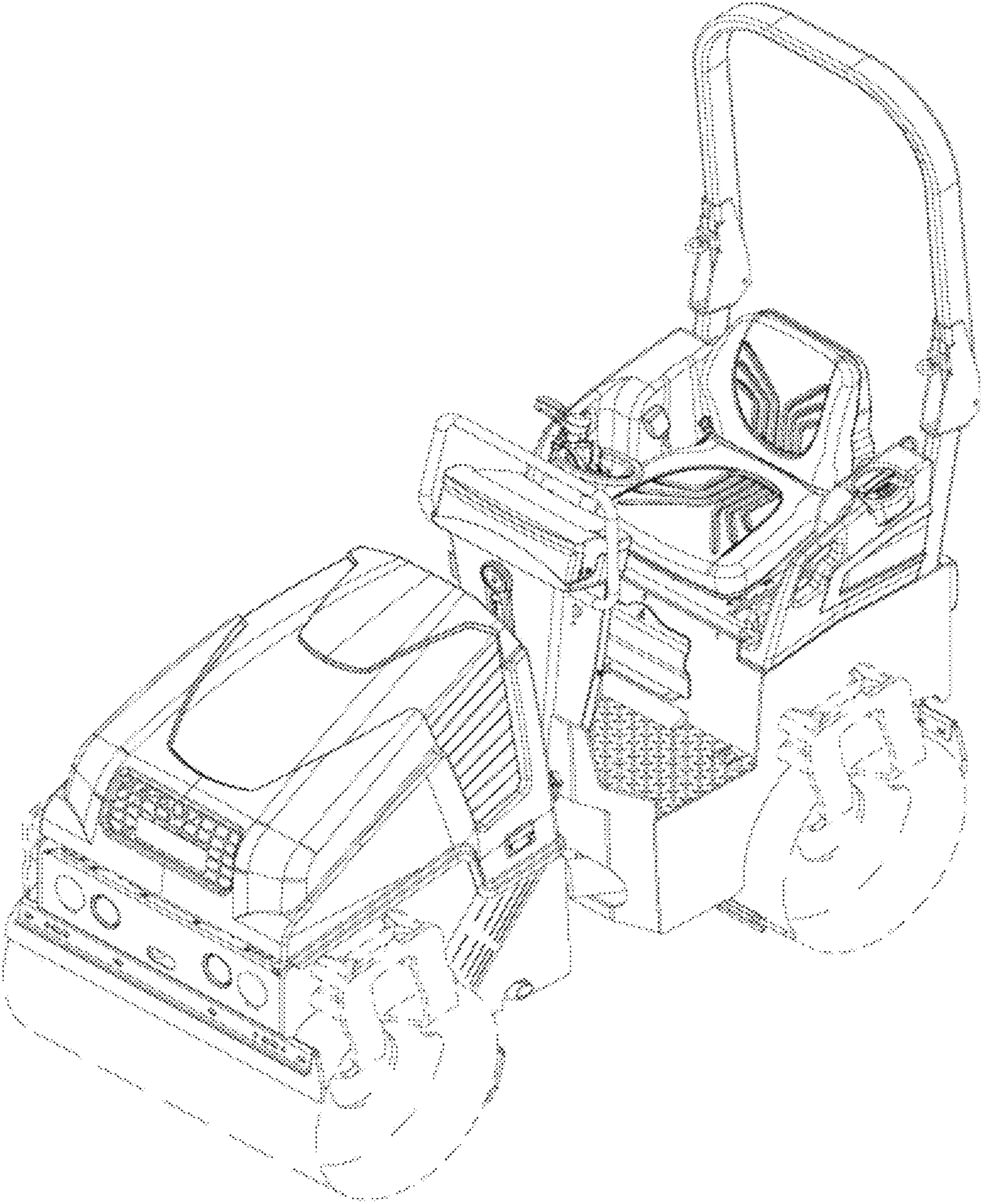


FIG. 1

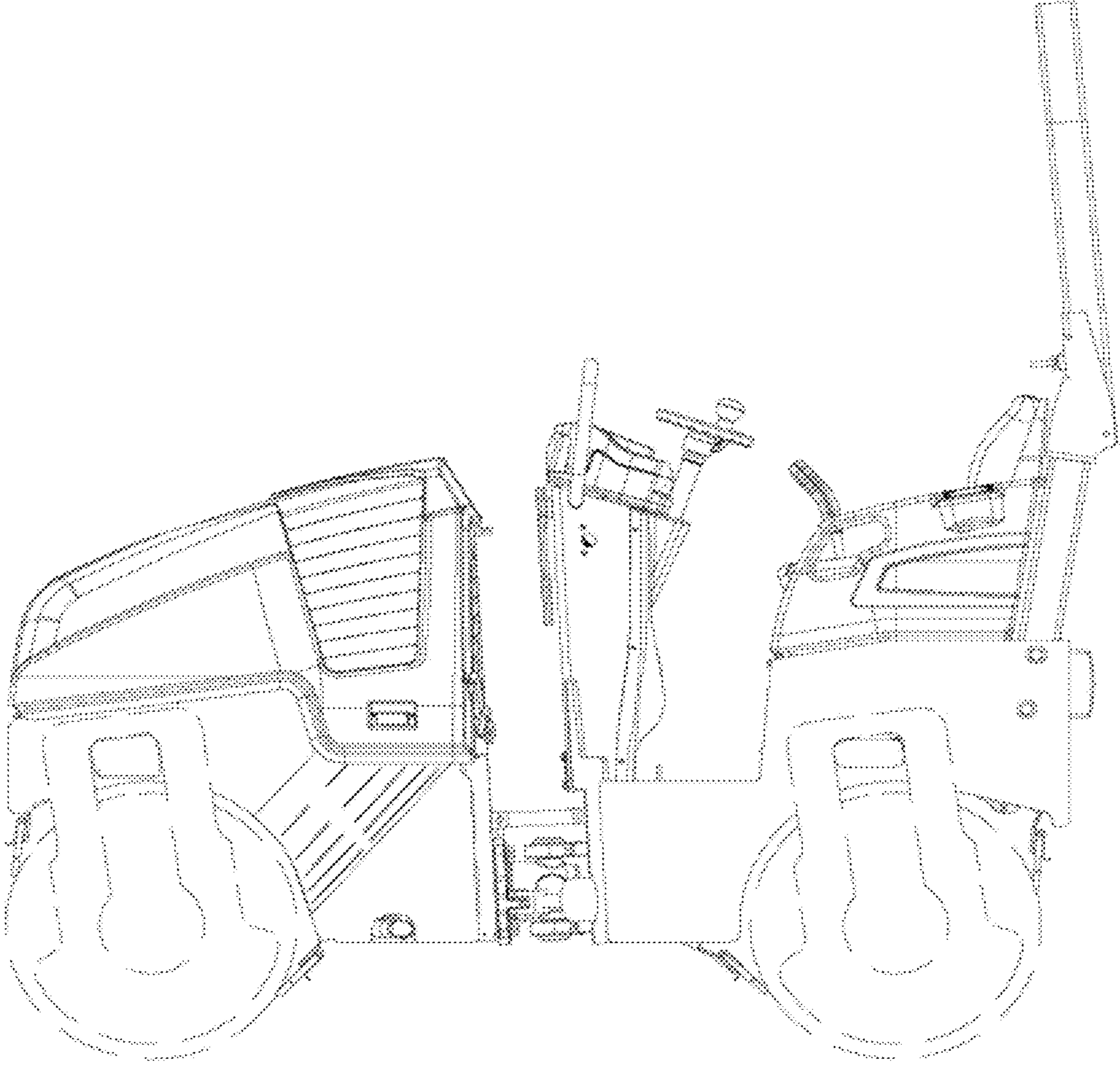


FIG. 2

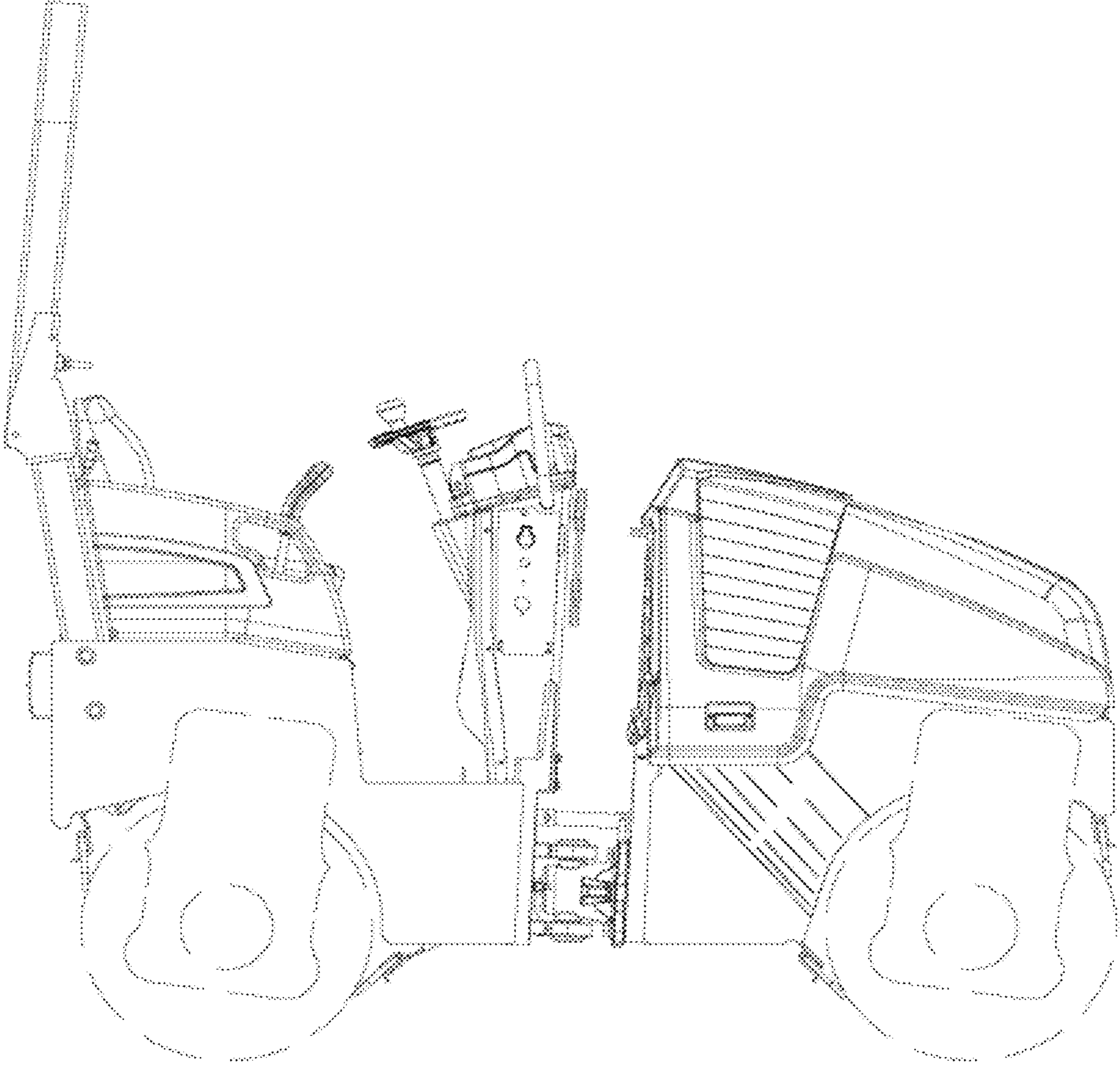


FIG. 3

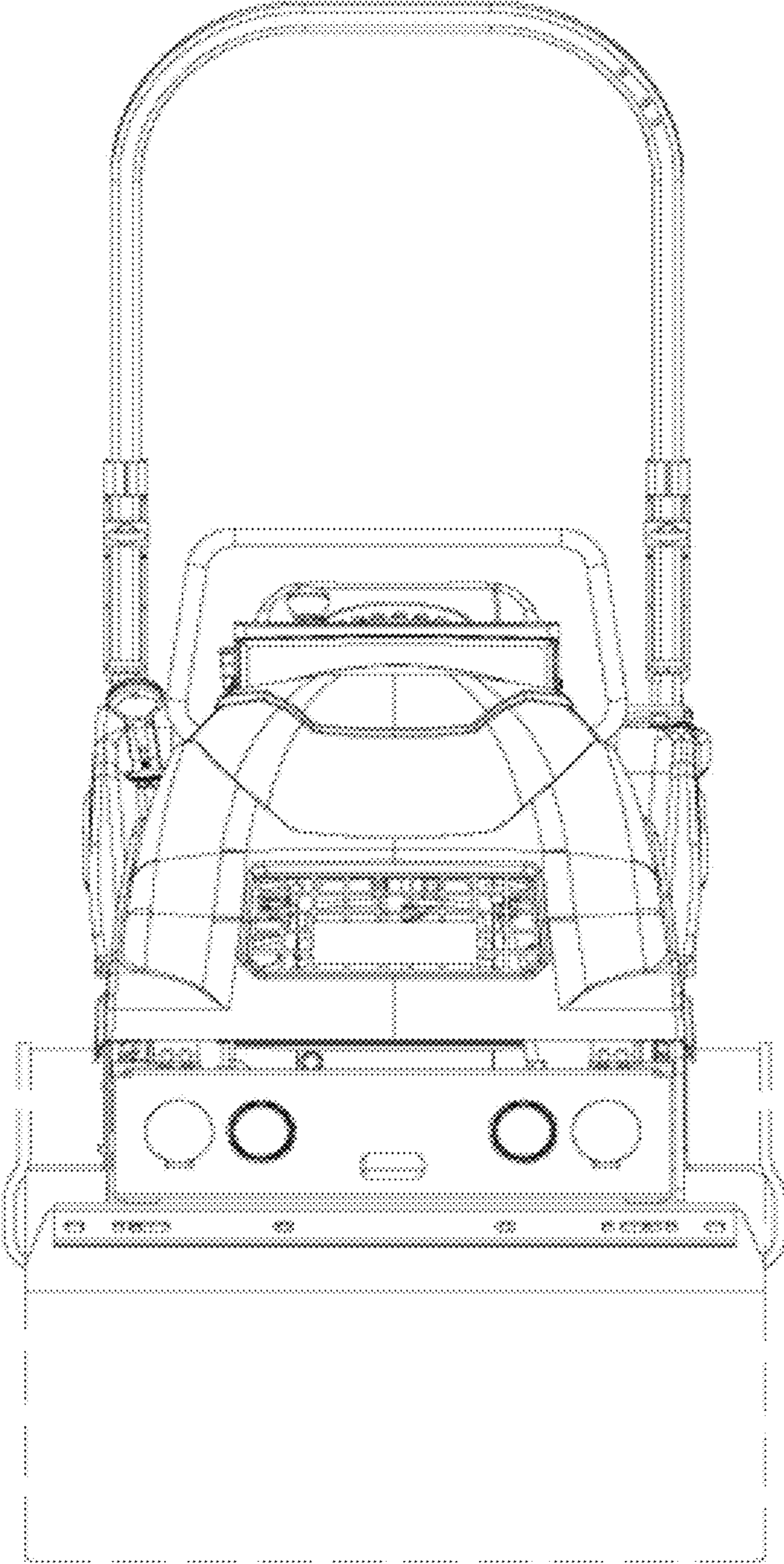


FIG. 4

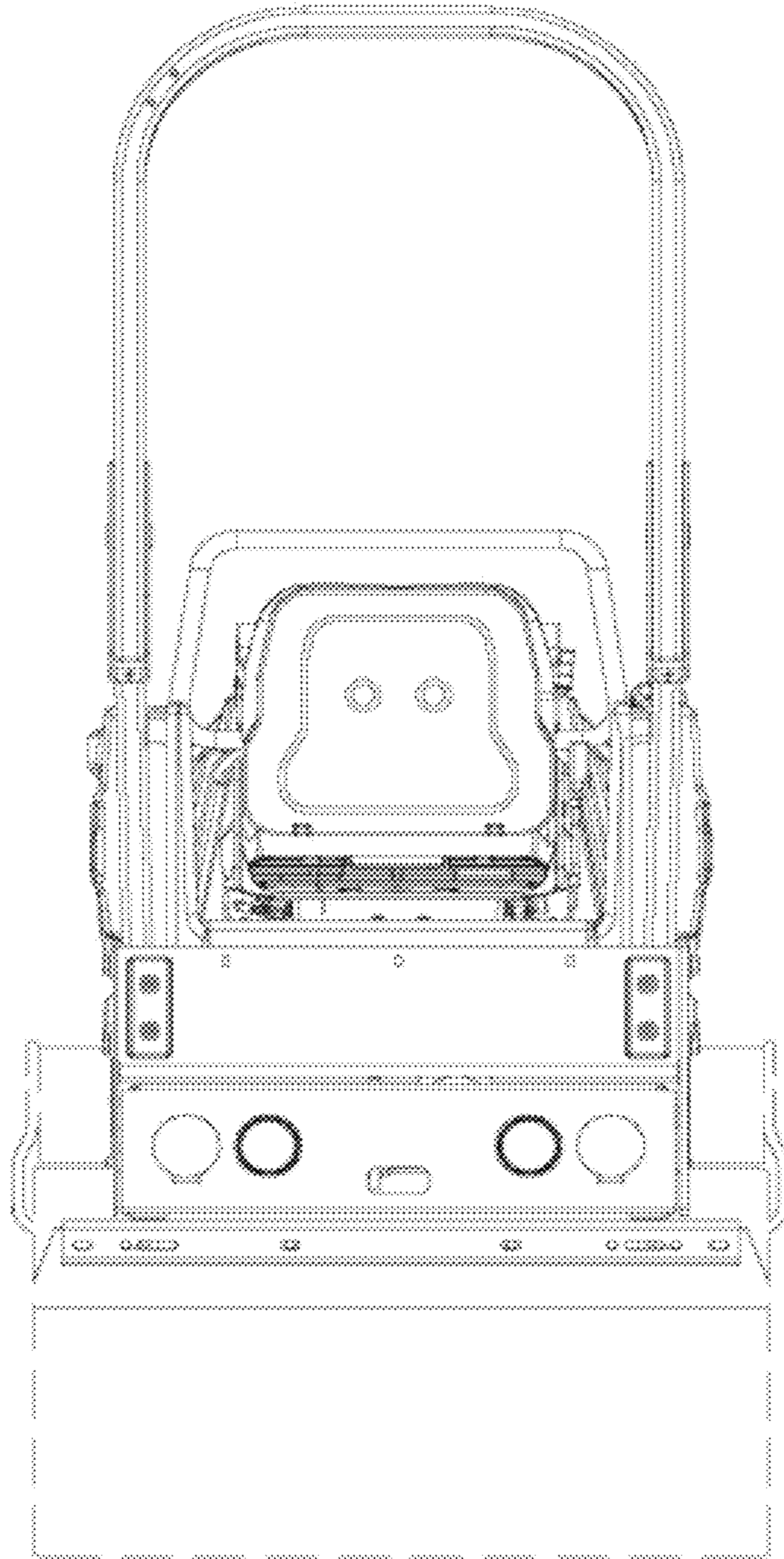


FIG. 5

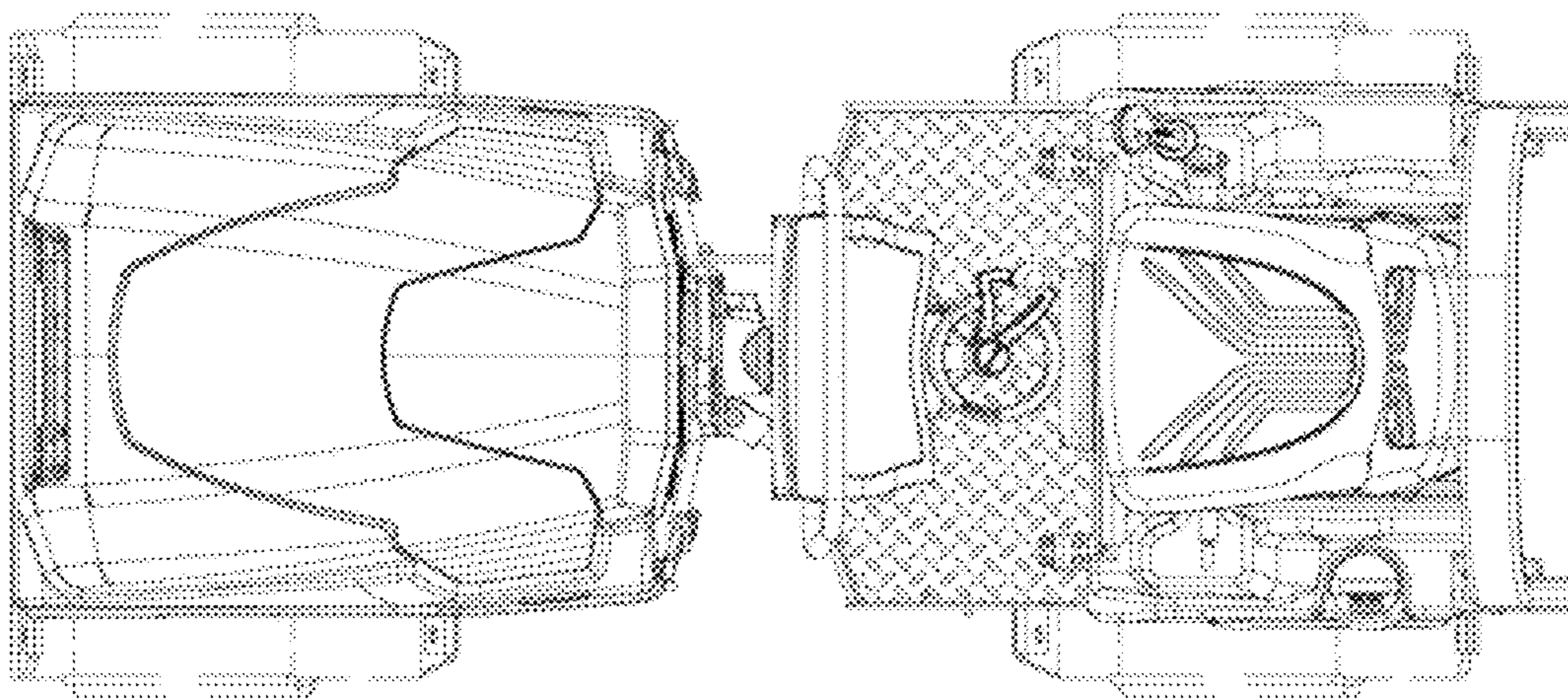


FIG. 6