



US00D657396S

(12) **United States Design Patent**
Loew

(10) **Patent No.:** **US D657,396 S**
(45) **Date of Patent:** **** Apr. 10, 2012**

(54) **TANDEM ROLLER**

(75) Inventor: **Roland Loew**, Klein-Winternheim (DE)

(73) Assignee: **BOMAG GmbH**, Boppard (DE)

(**) Term: **14 Years**

(21) Appl. No.: **29/403,174**

(22) Filed: **Oct. 3, 2011**

(30) **Foreign Application Priority Data**

Apr. 6, 2011 (EP) 001846924-0001

(51) **LOC (9) Cl.** **15-03**

(52) **U.S. Cl.** **D15/20**

(58) **Field of Classification Search** D15/10,
D15/20, 22, 23; 180/20, 89.1, 89.12; 404/122,
404/125, 132, 117, 124
See application file for complete search history.

(56) **References Cited**

U.S. PATENT DOCUMENTS

| | | | | | |
|-----------|-----|--------|----------------|-------|---------|
| 2,777,709 | A * | 1/1957 | Tucker | | 280/104 |
| D185,841 | S * | 8/1959 | Schertzer | | D15/20 |
| D194,350 | S * | 1/1963 | Peterson | | D15/20 |
| 3,176,597 | A * | 4/1965 | Seaman | | 404/117 |
| D207,532 | S * | 5/1967 | Garls | | D15/20 |
| D275,678 | S * | 9/1984 | Mawhorr et al. | | D15/20 |
| 5,177,415 | A * | 1/1993 | Quibel et al. | | 318/128 |

| | | | | | |
|-----------|------|---------|-----------------|-------|---------|
| D396,431 | S * | 7/1998 | Lindgren et al. | | D12/14 |
| D396,727 | S * | 8/1998 | Geier et al. | | D15/20 |
| D516,094 | S * | 2/2006 | Dotsch et al. | | D15/20 |
| D573,611 | S * | 7/2008 | Geier | | D15/20 |
| D589,067 | S * | 3/2009 | Yamamoto | | D15/28 |
| 7,497,642 | B2 * | 3/2009 | Raymond et al. | | 404/132 |
| D602,506 | S * | 10/2009 | Marsolek et al. | | D15/30 |
| D611,505 | S * | 3/2010 | Loew et al. | | D15/20 |
| D611,506 | S * | 3/2010 | Loew et al. | | D15/20 |

* cited by examiner

Primary Examiner — Mark Goodwin

(74) *Attorney, Agent, or Firm* — Wood, Herron & Evans, LLP

(57) **CLAIM**

The ornamental design for a tandem roller, as shown and described.

DESCRIPTION

FIG. 1 is an isometric view of a tandem roller showing my new design, with environment shown in broken lines.

FIG. 2 is a right side view of the tandem roller shown in FIG. 1.

FIG. 3 is a left side view of the tandem roller shown in FIG. 1.

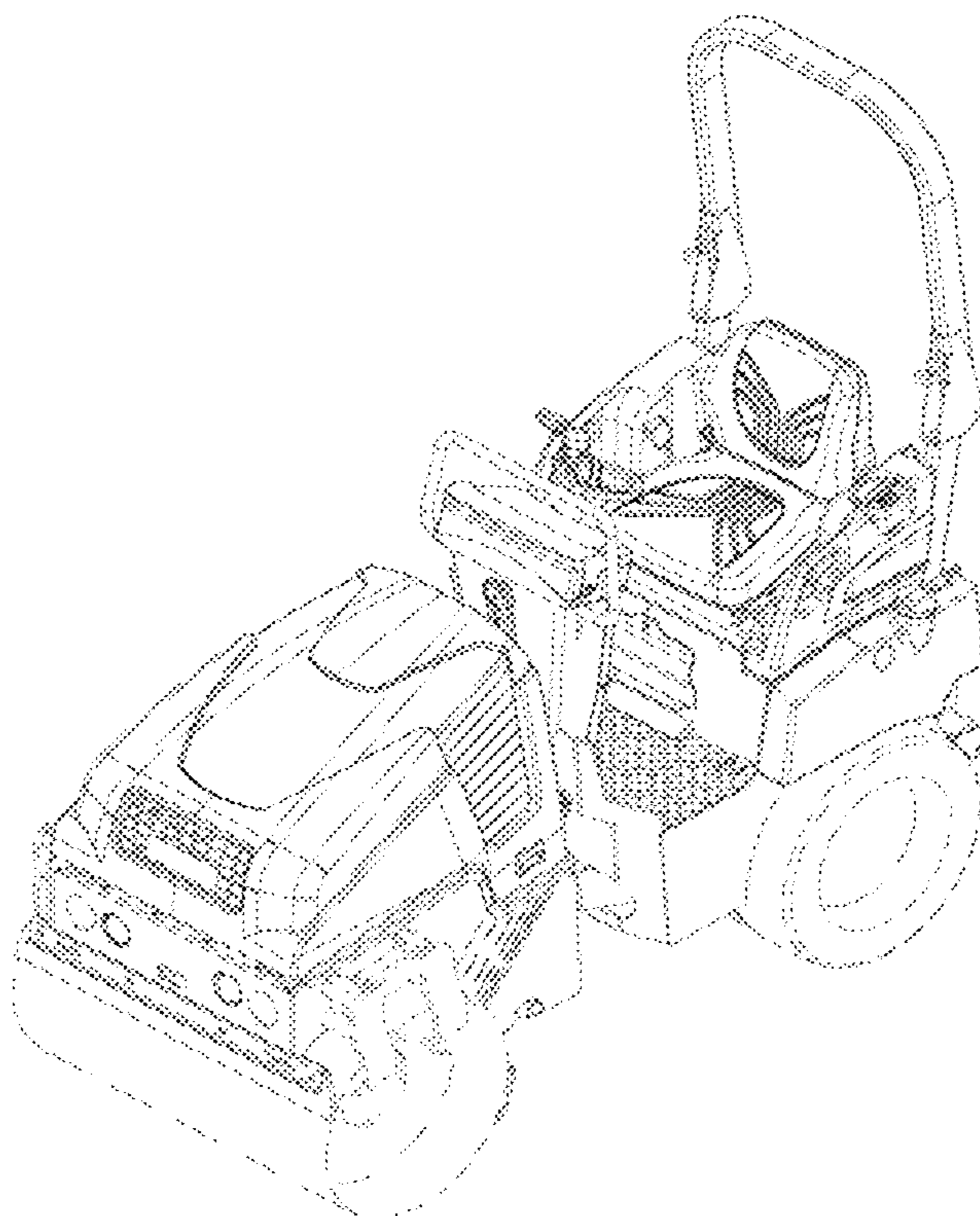
FIG. 4 is a front view of the tandem roller shown in FIG. 1.

FIG. 5 is a rear view of the tandem roller shown in FIG. 1; and,

FIG. 6 is a top view of the tandem roller shown in FIG. 1.

The features of the tandem roller shown in broken lines are for illustrative purposes only and form no part of the claimed design.

1 Claim, 6 Drawing Sheets



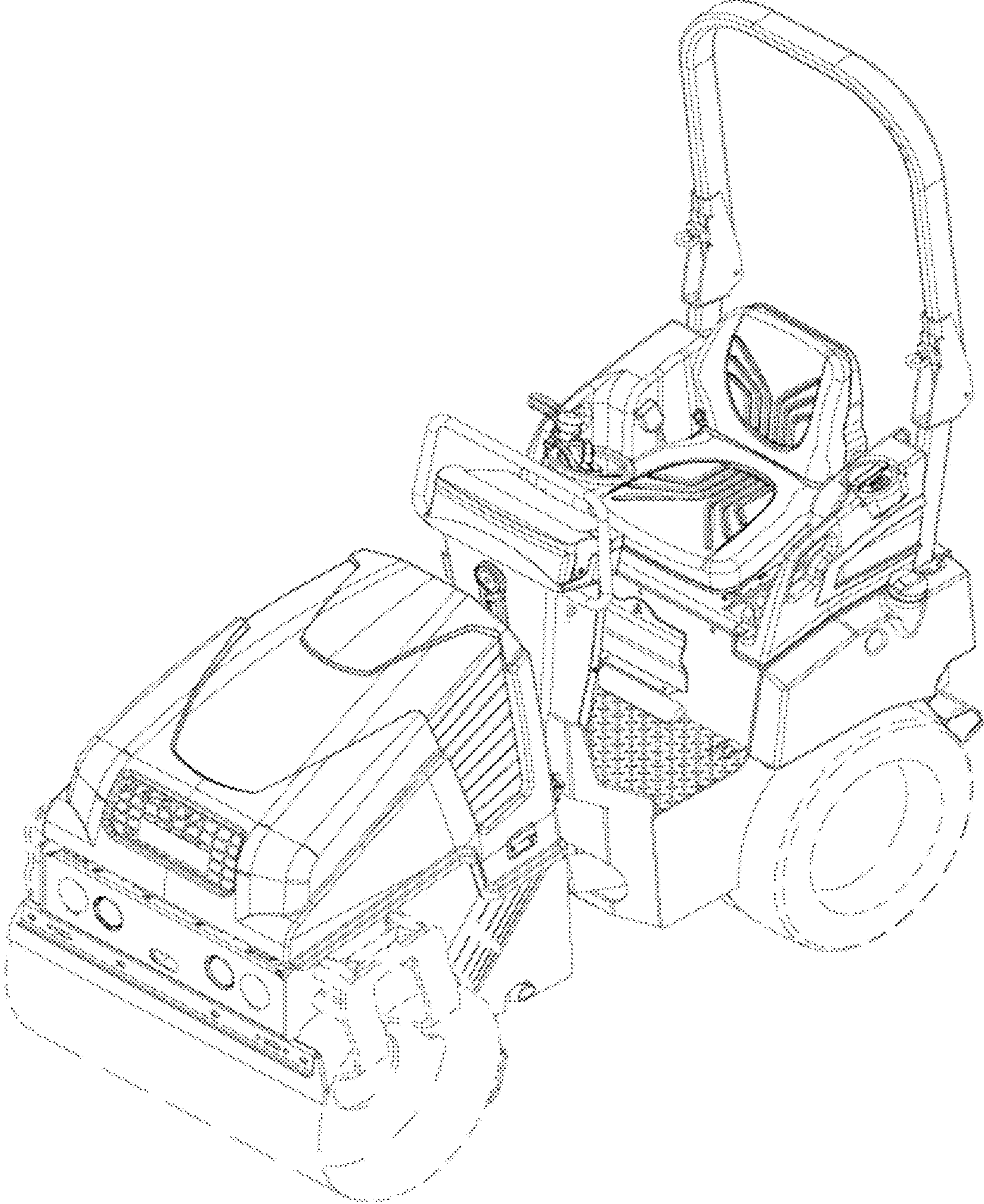


FIG. 1

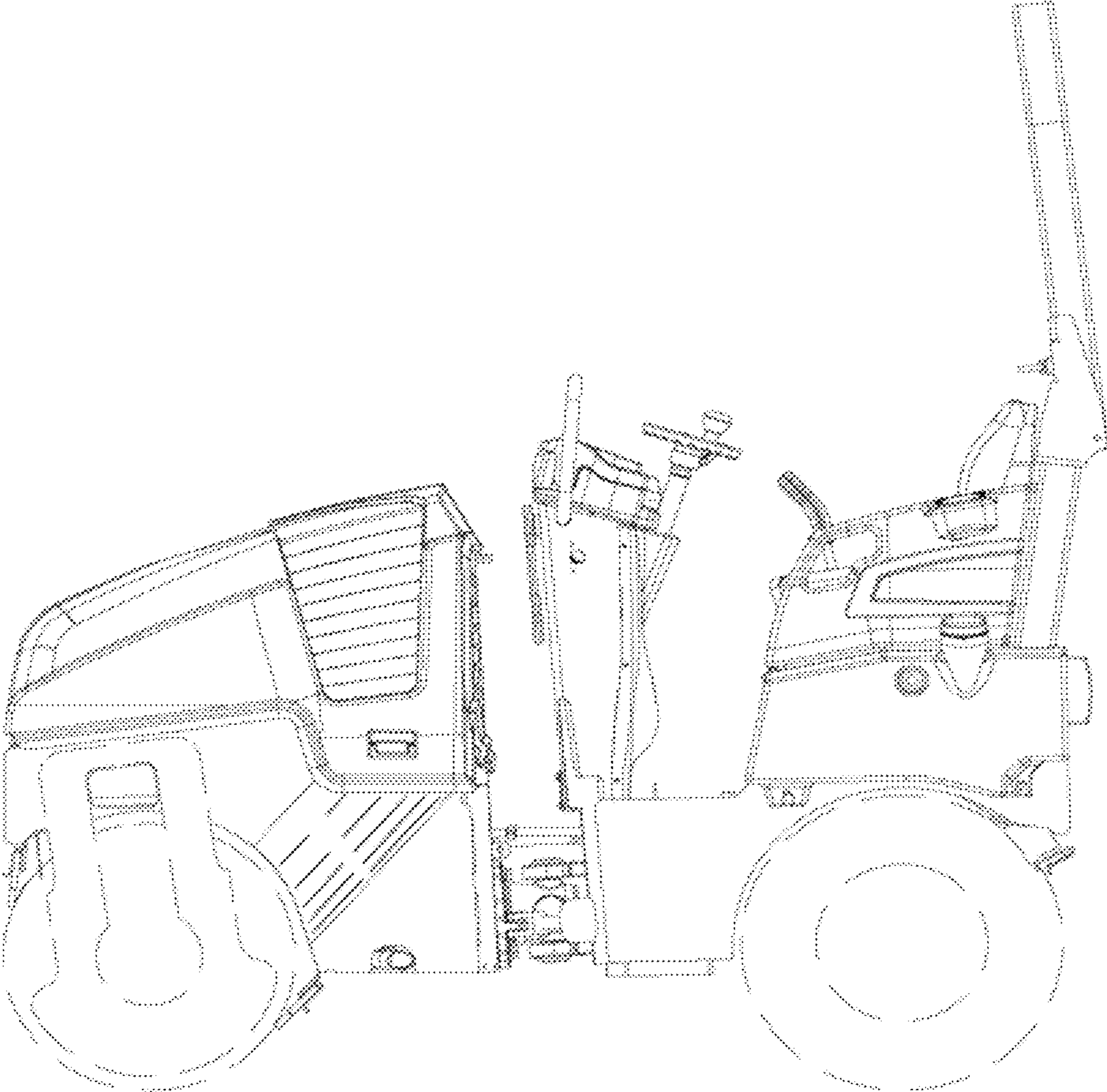


FIG. 2

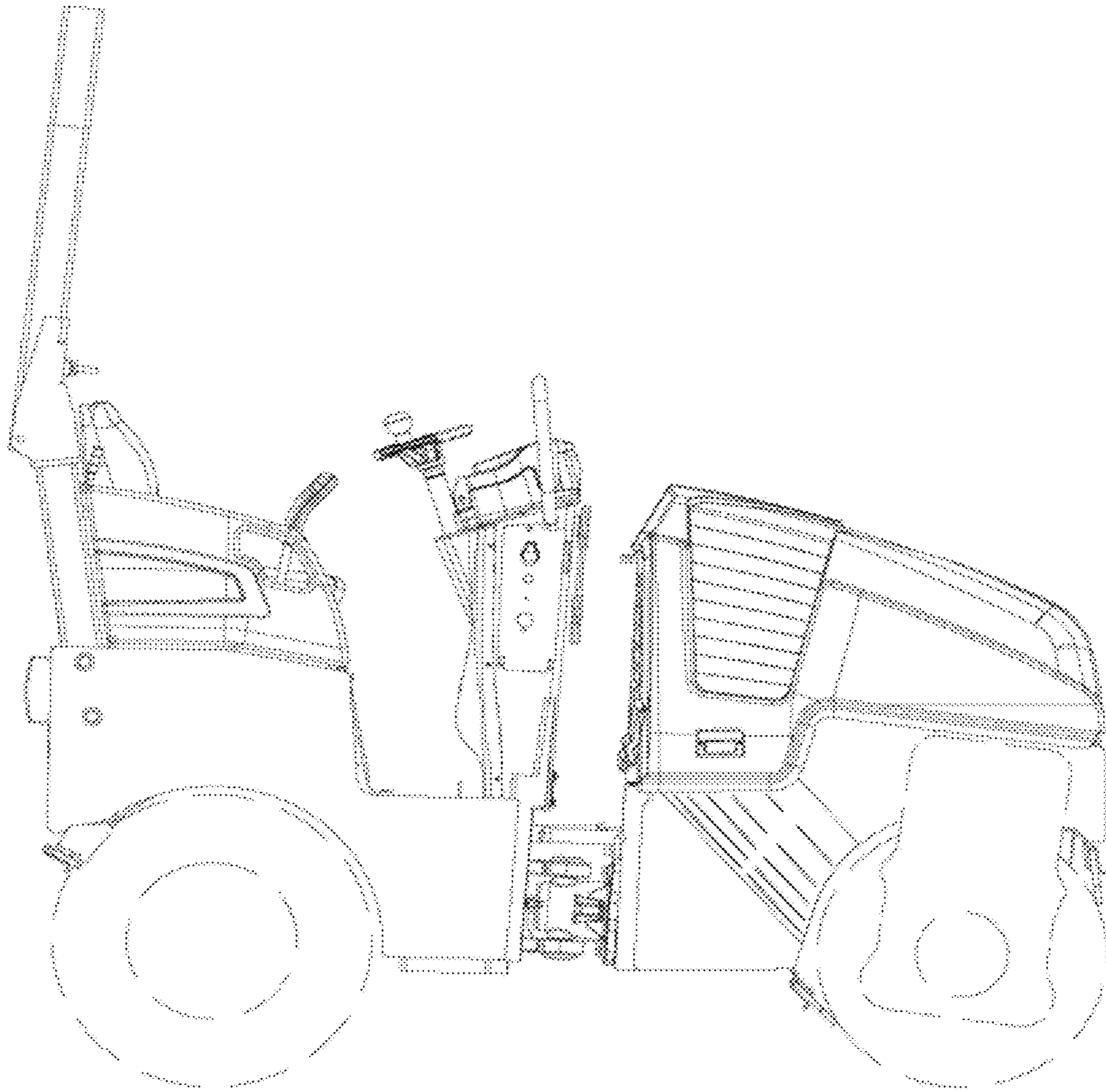


FIG. 3

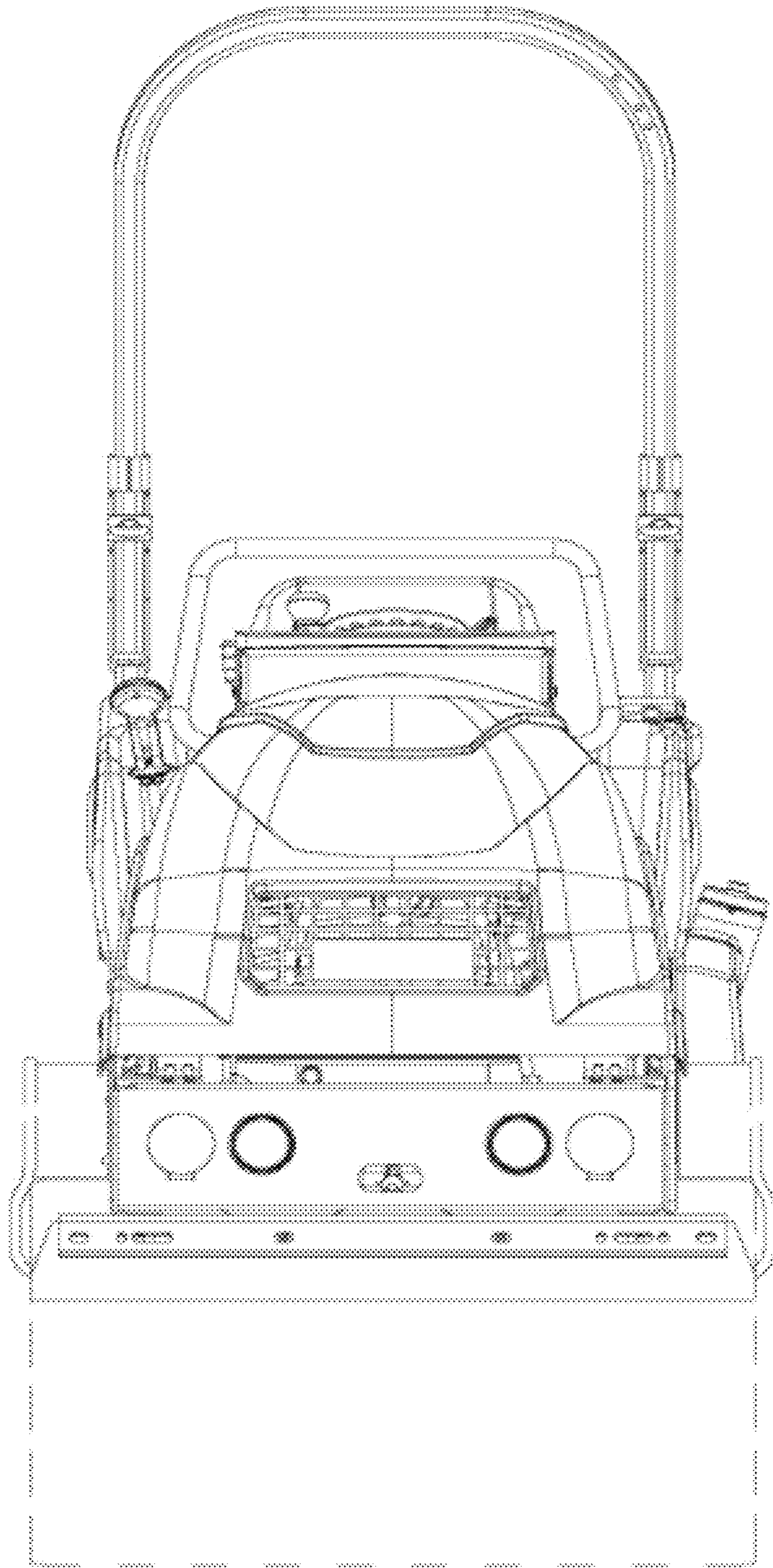


FIG. 4

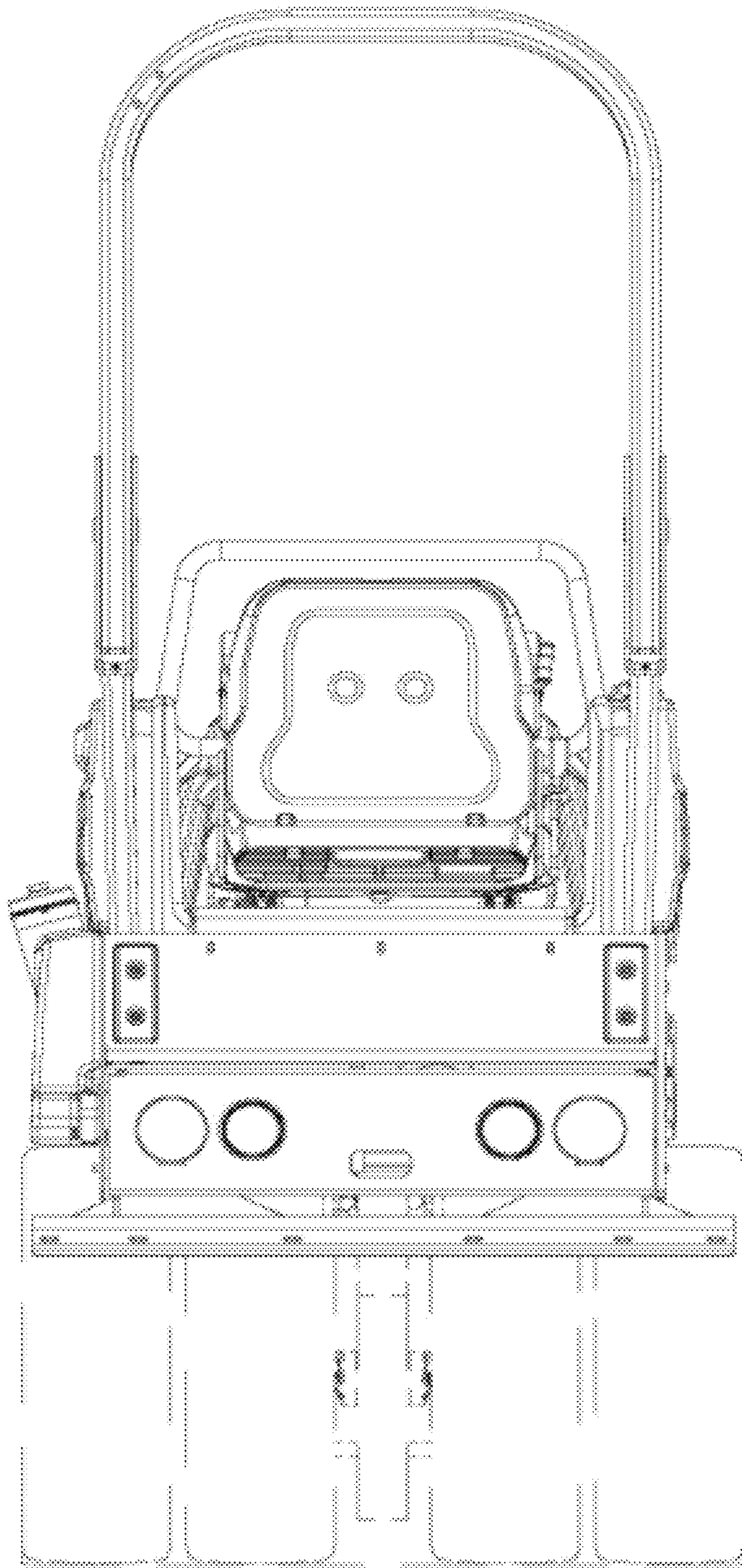


FIG. 5

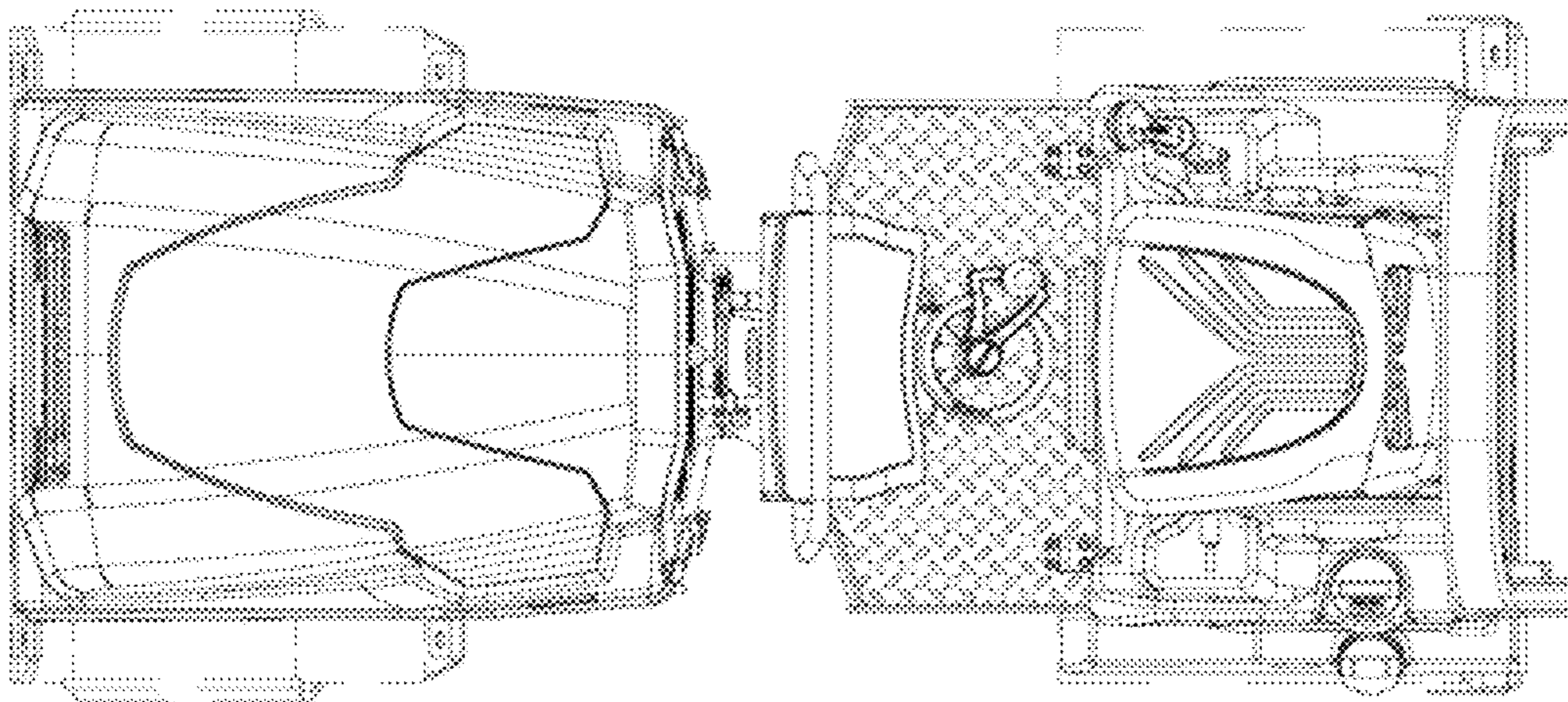


FIG. 6