



US00D657395S

(12) **United States Design Patent**
Bauer et al.

(10) **Patent No.:** **US D657,395 S**

(45) **Date of Patent:** **** Apr. 10, 2012**

(54) **WHEEL ATTACHMENT FOR SNOW BLOWER**

(76) Inventors: **Gordon C. Bauer**, Mountain Green, UT (US); **Duane C. Bauer**, Saint George, UT (US)

(**) Term: **14 Years**

(21) Appl. No.: **29/374,342**

(22) Filed: **Aug. 1, 2011**

(51) **LOC (9) Cl.** **15-03**

(52) **U.S. Cl.** **D15/11**

(58) **Field of Classification Search** D15/11,
D15/17, 28; D8/7, 8; D34/24, 28; 37/249,
37/270; 172/13, 15, 17, 15.6, 17.5; 56/2,
56/7, 12.1; 280/29, 47.34, 47.24, 47, 24
See application file for complete search history.

(56) **References Cited**

U.S. PATENT DOCUMENTS

| | | | | |
|-----------|-----|---------|------------------|----------|
| 2,598,952 | A * | 6/1952 | Weingart | 294/54.5 |
| 3,078,603 | A * | 2/1963 | Ertsgaard et al. | 37/252 |
| 3,239,954 | A * | 3/1966 | Brier | 37/251 |
| 3,267,594 | A * | 8/1966 | Mattson et al. | 37/246 |
| 3,349,506 | A * | 10/1967 | Rubin | 37/248 |
| 3,466,767 | A * | 9/1969 | Rubin | 37/260 |
| 3,484,963 | A * | 12/1969 | Munson et al. | 37/252 |
| 3,742,626 | A * | 7/1973 | Ellis | 37/260 |
| 4,255,879 | A * | 3/1981 | Greider | 37/245 |
| 4,833,800 | A * | 5/1989 | Ting | 37/243 |
| D310,894 | S * | 9/1990 | Smith | D34/23 |
| 5,408,765 | A * | 4/1995 | Lozensky | 37/231 |
| D372,035 | S * | 7/1996 | Casey | D15/11 |
| D408,111 | S * | 4/1999 | Cook | D34/24 |
| 6,116,350 | A * | 9/2000 | Notaras et al. | 172/15 |

| | | | | |
|--------------|------|---------|------------------|----------|
| 6,299,185 | B1 * | 10/2001 | Lewis | 280/79.7 |
| D471,288 | S * | 3/2003 | Feik | D25/68 |
| 6,866,274 | B1 * | 3/2005 | Muscat | 280/79.7 |
| 7,036,631 | B2 * | 5/2006 | Feik et al. | 182/129 |
| D550,921 | S * | 9/2007 | McMorris | D34/23 |
| D575,921 | S * | 8/2008 | Stone, Jr. | D34/23 |
| 7,730,642 | B2 * | 6/2010 | Sugiura | 37/257 |
| D623,670 | S * | 9/2010 | Escobar | D15/28 |
| 7,984,573 | B2 * | 7/2011 | Lau | 37/242 |
| D644,669 | S * | 9/2011 | Escobar | D15/28 |
| 2008/0189990 | A1 * | 8/2008 | Luhtanen | 37/249 |
| 2009/0090011 | A1 * | 4/2009 | Gosschalk et al. | 30/296.1 |

* cited by examiner

Primary Examiner — Mark Goodwin

(74) *Attorney, Agent, or Firm* — Paul R. Martin

(57) **CLAIM**

The ornamental design for a wheel attachment for snow blower, as shown and described.

DESCRIPTION

FIG. 1 is a front, side perspective view of a wheel attachment for snow blower showing our new design in use condition being attached to the cowling of a snow blower.

FIG. 2 is an enlarged front, side perspective view thereof.

FIG. 3 is a top plan view thereof.

FIG. 4 is a front elevational view thereof.

FIG. 5 is a bottom plan view thereof.

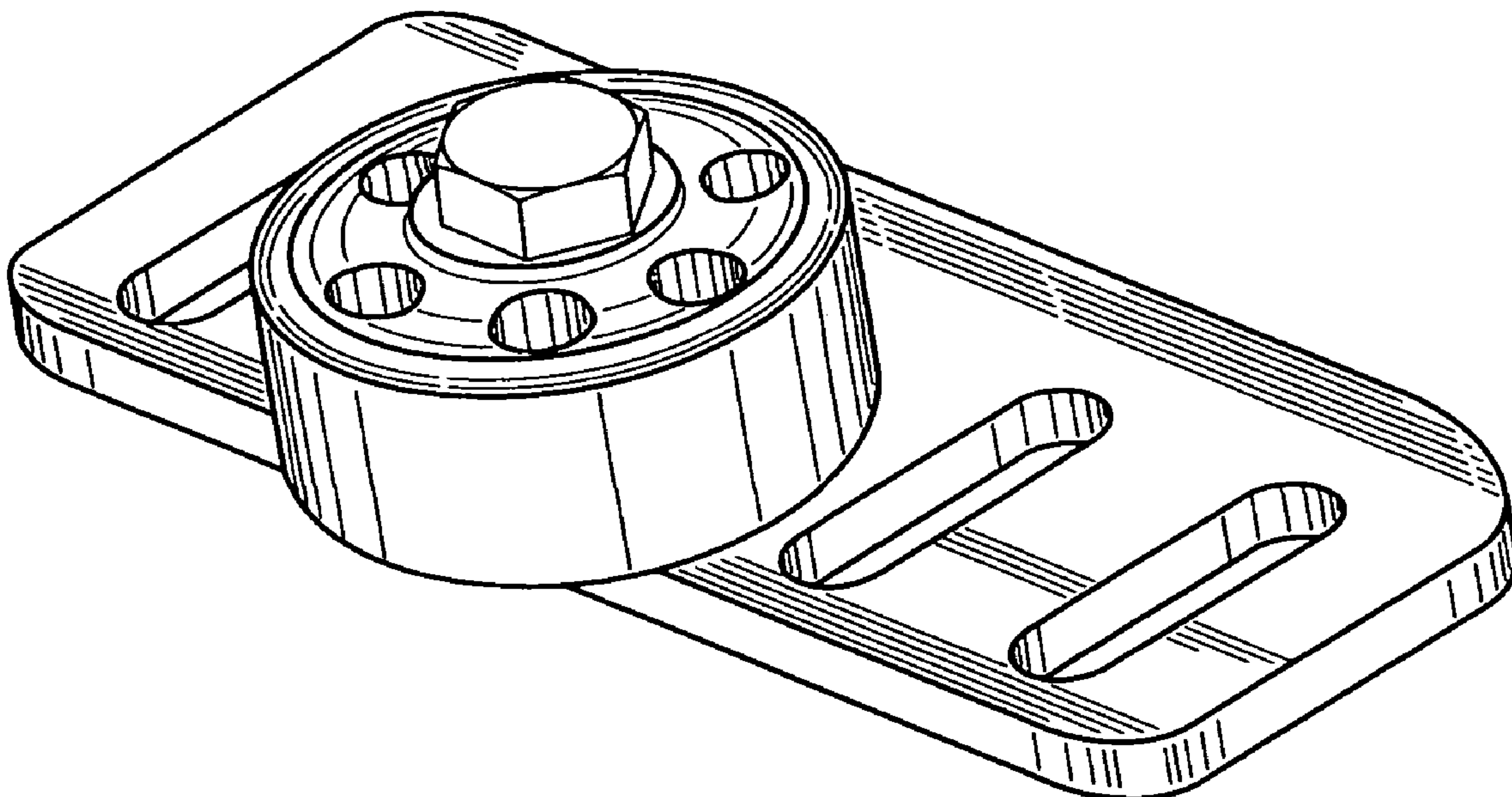
FIG. 6 is a back elevational view thereof.

FIG. 7 is a left end elevational view thereof; and,

FIG. 8 is a right end elevational view thereof.

The broken line figure of a snow blower shown in FIG. 1 is environmental, and forms no part of the invention.

1 Claim, 4 Drawing Sheets



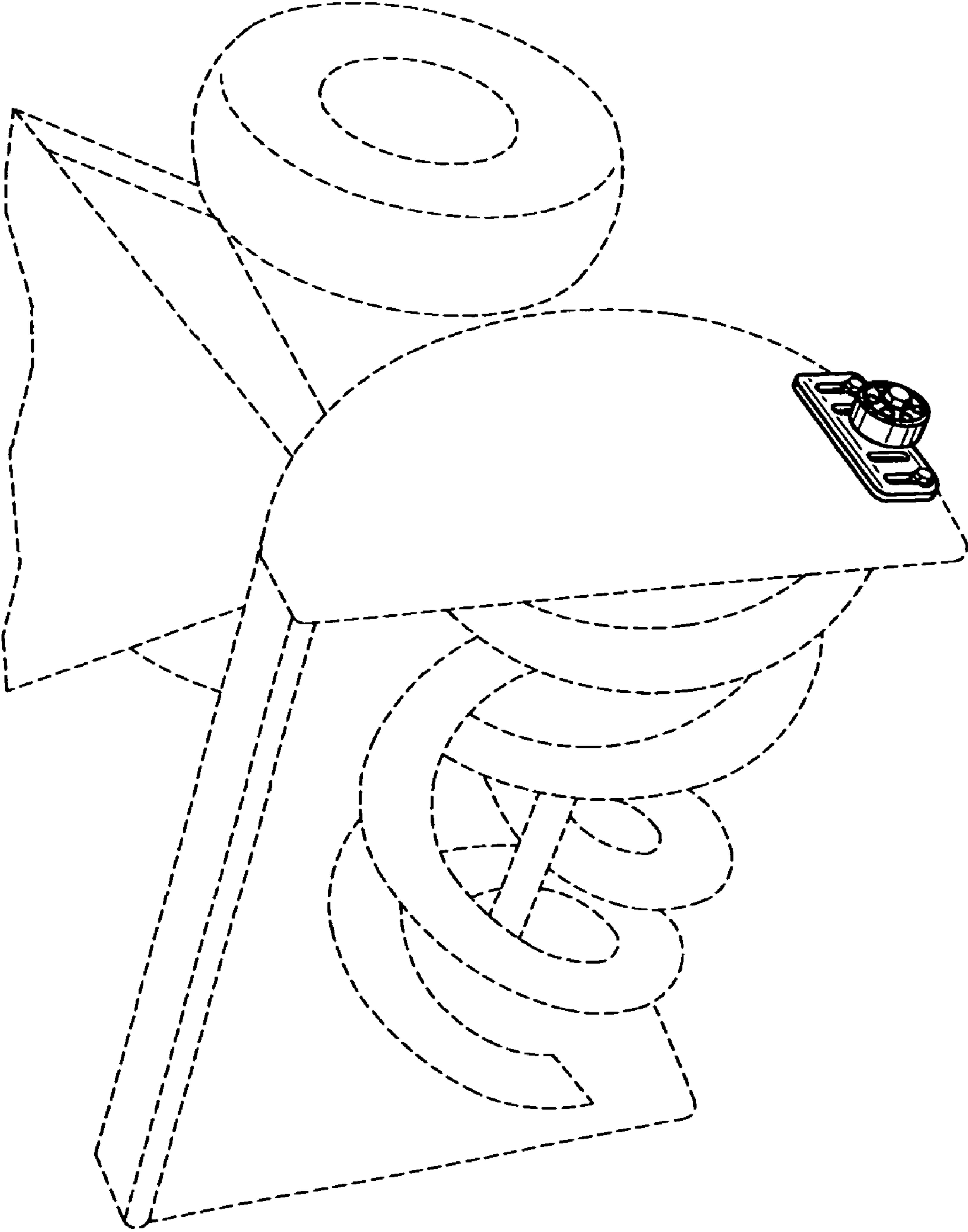


FIG. 1

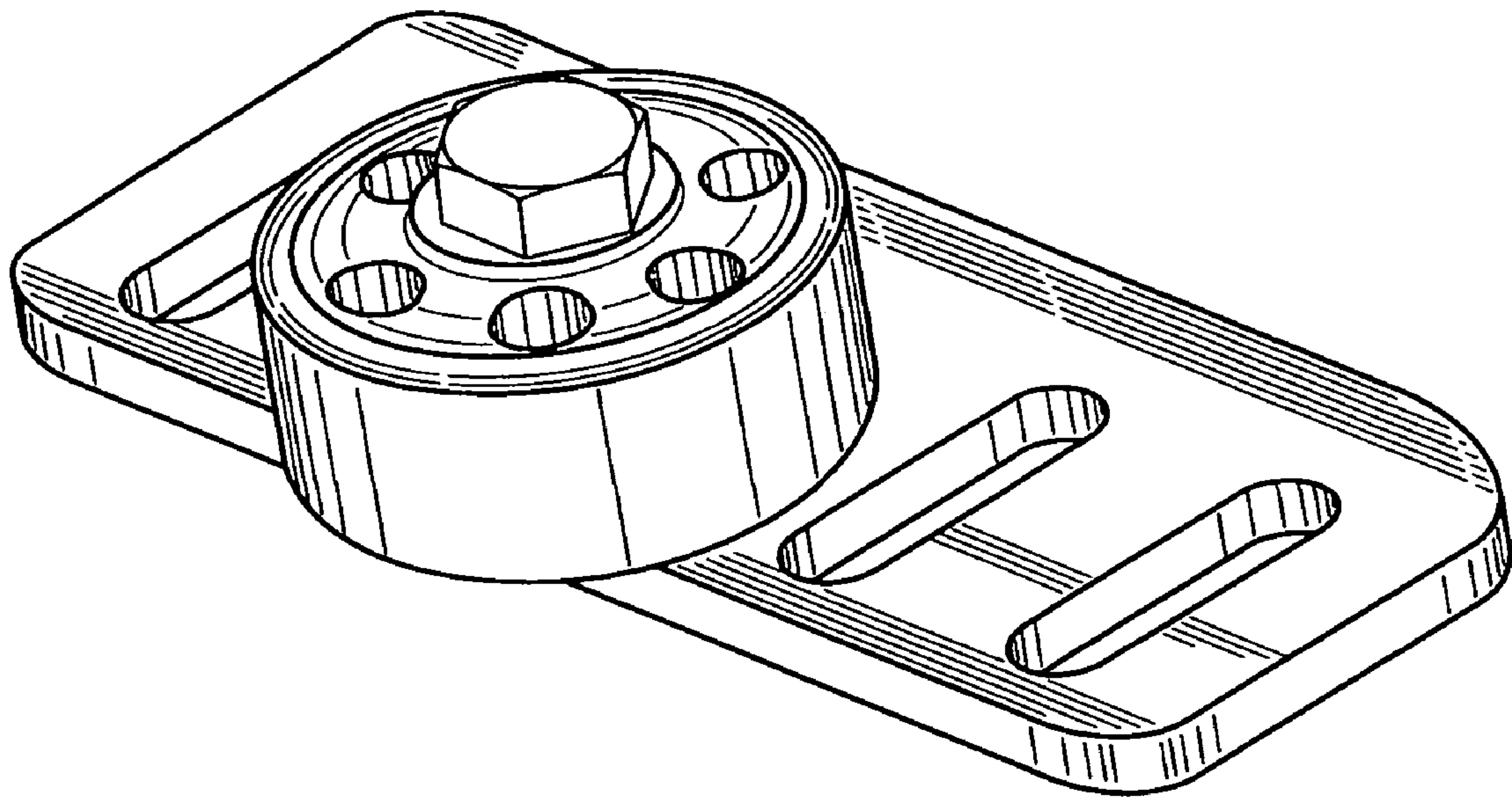


FIG. 2

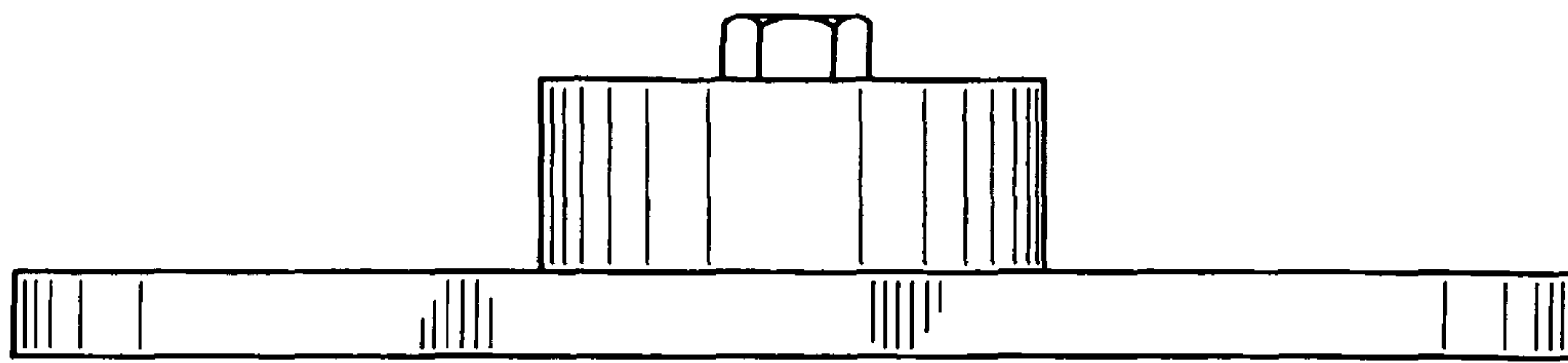


FIG. 3

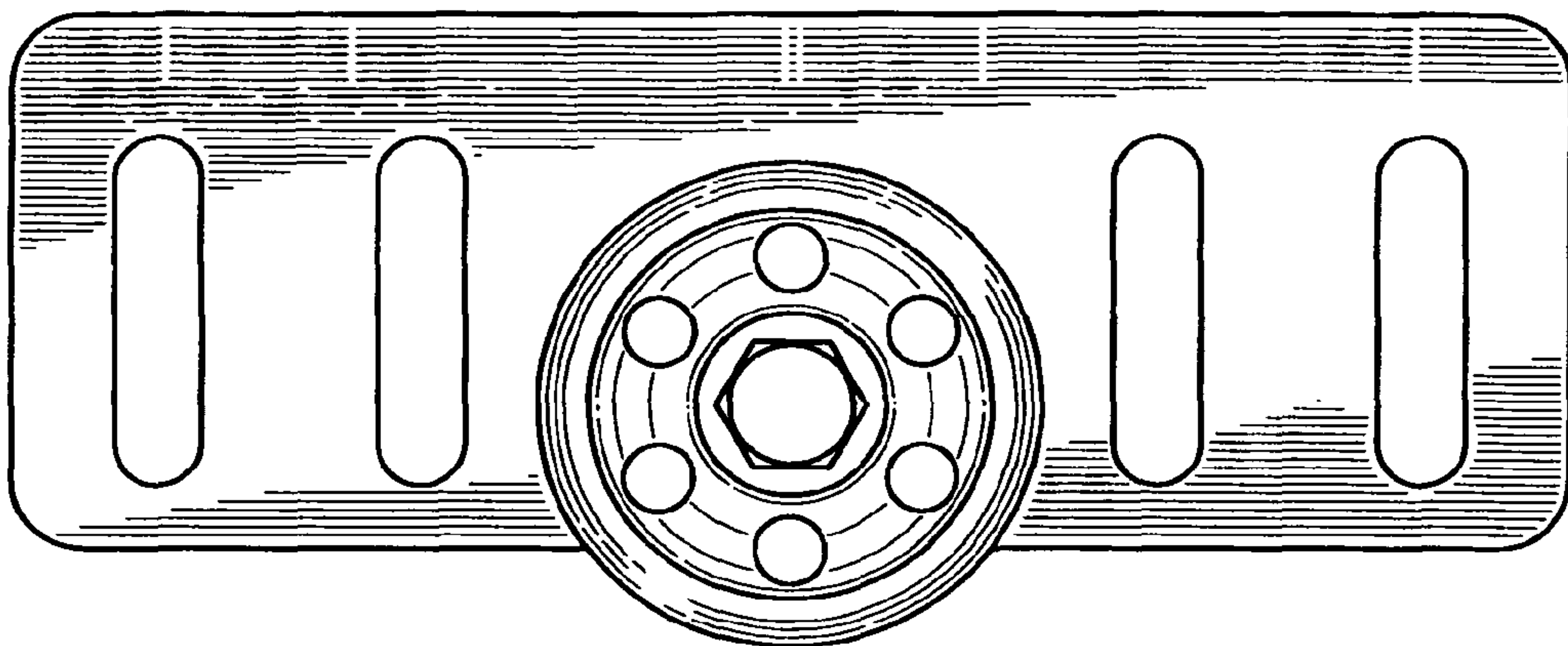


FIG. 4

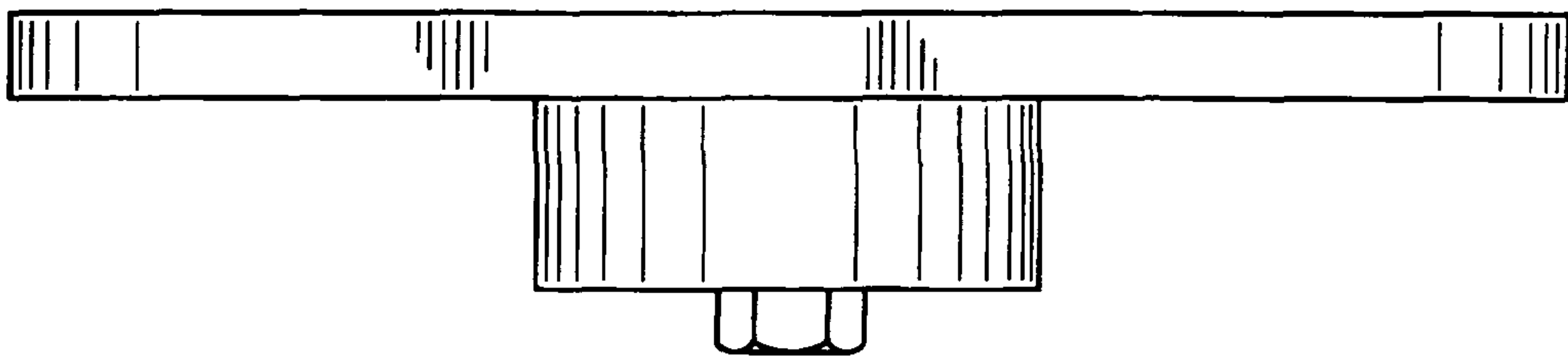


FIG. 5

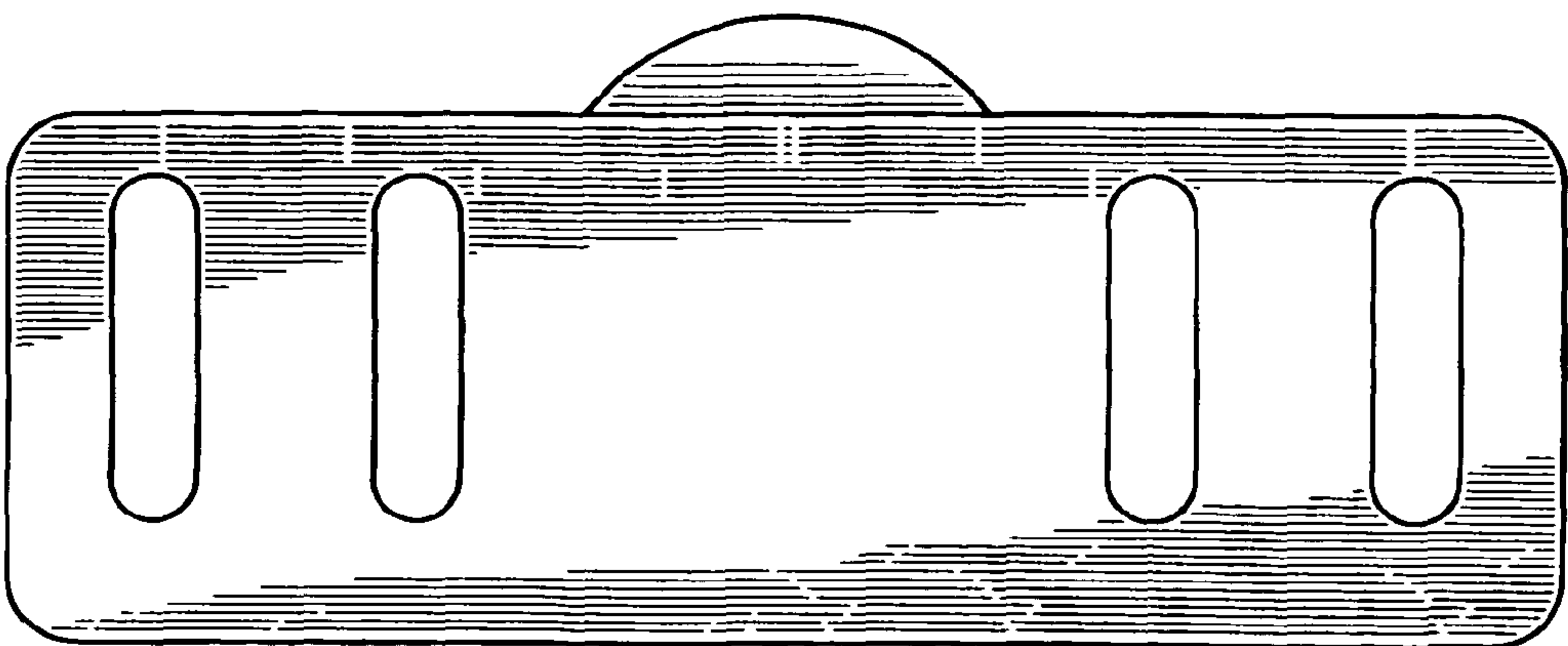


FIG. 6

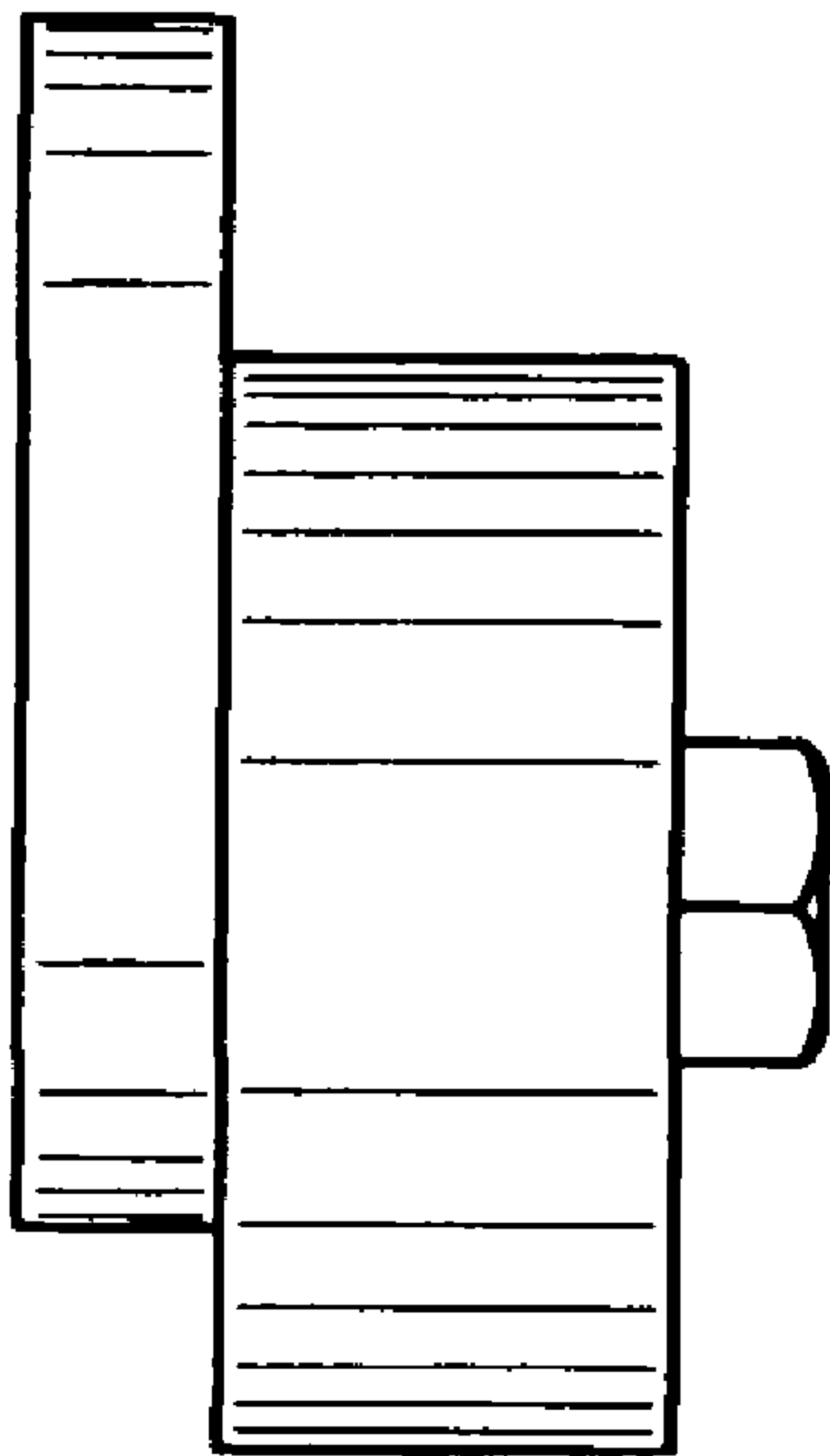


FIG. 7

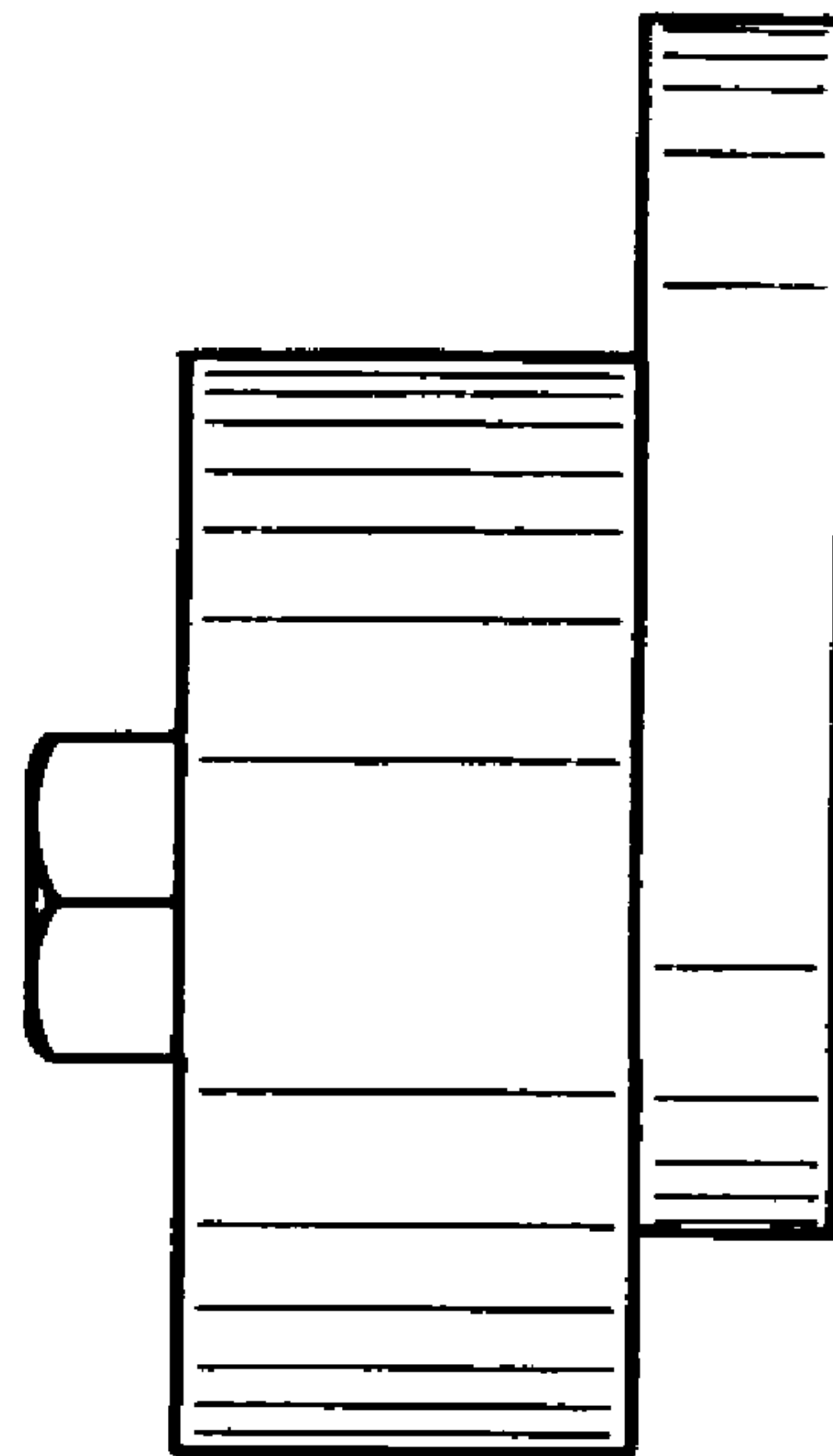


FIG. 8