



US00D657390S

(12) **United States Design Patent**
Chu

(10) **Patent No.:** **US D657,390 S**
(45) **Date of Patent:** **** Apr. 10, 2012**

(54) **CAP FOR AIR COMPRESSOR**
(76) Inventor: **Henry C. Chu**, Orange, CA (US)
(**) Term: **14 Years**
(21) Appl. No.: **29/373,805**
(22) Filed: **May 24, 2011**
(51) **LOC (9) Cl.** **15-02**
(52) **U.S. Cl.** **D15/9**
(58) **Field of Classification Search** D15/7-9;
D23/231, 232; 417/410.1, 359, 415-416,
417/234, 321, 265, 405, 313
See application file for complete search history.

D574,855 S * 8/2008 Chu D15/9
D574,858 S * 8/2008 Chu D15/9
D575,306 S * 8/2008 Chu D15/9
D575,307 S * 8/2008 Chu D15/9
D575,802 S * 8/2008 Chu D15/9
D589,064 S * 3/2009 Chu D15/9
D589,534 S * 3/2009 Chu D15/9
D603,873 S * 11/2009 Chu D15/9
D603,874 S * 11/2009 Chu D15/9
D603,875 S * 11/2009 Chu D15/9
D617,349 S * 6/2010 Chu D15/9
D647,925 S * 11/2011 Chu D15/9

(Continued)

Primary Examiner — R. Seifert
(74) *Attorney, Agent, or Firm* — Charles E. Baxley

(56) **References Cited**

U.S. PATENT DOCUMENTS

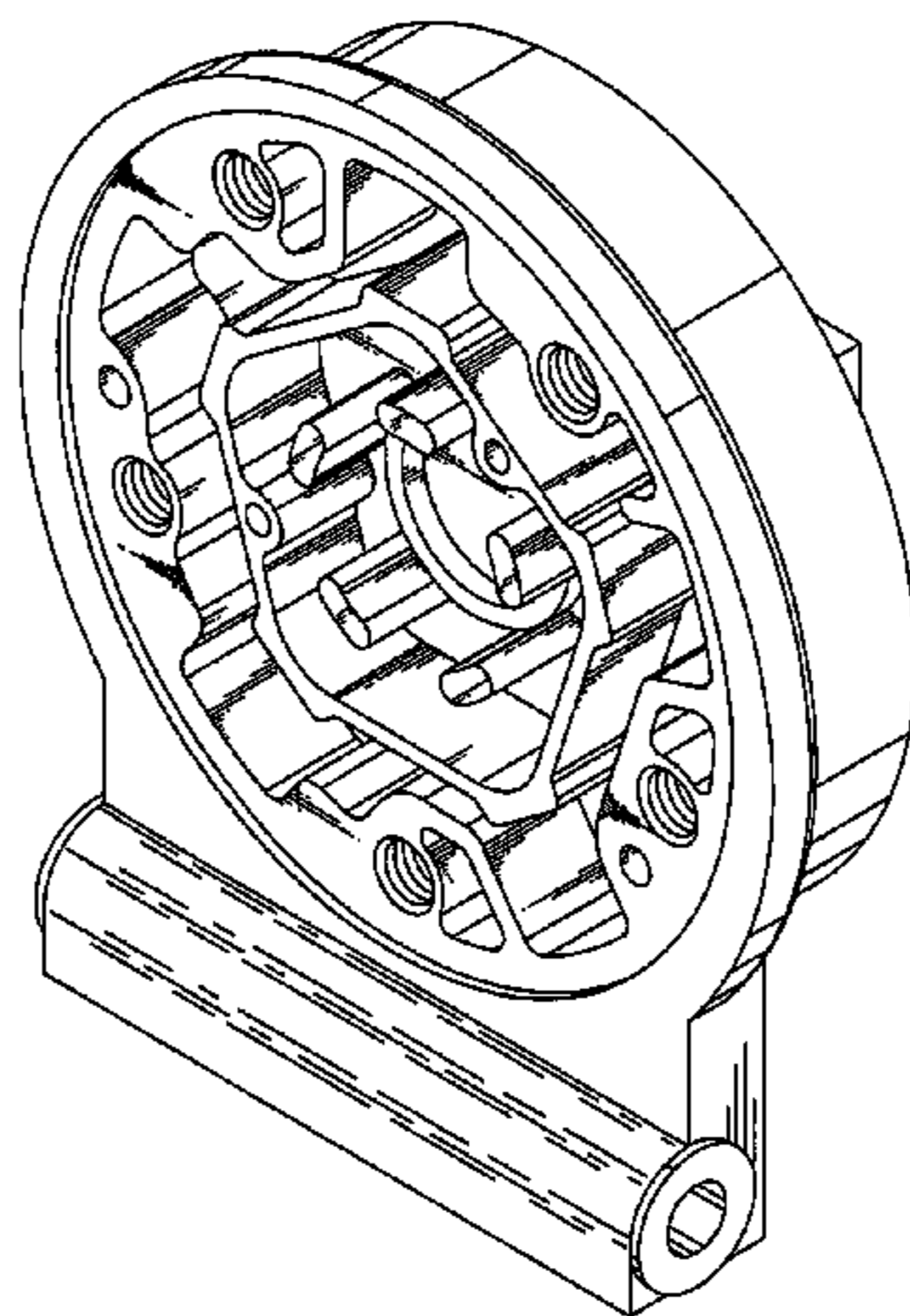
D381,993 S * 8/1997 Takenaka et al. D15/9
D429,738 S * 8/2000 Kayukawa et al. D15/9
D441,377 S * 5/2001 Kawaguchi et al. D15/9
D460,460 S * 7/2002 Kayukawa et al. D15/9
D462,700 S * 9/2002 Fujita D15/9
D506,477 S * 6/2005 Chu et al. D15/9
D507,280 S * 7/2005 Chu et al. D15/9
D529,049 S * 9/2006 Chu D15/9
D529,050 S * 9/2006 Chu D15/9
D529,517 S * 10/2006 Chu D15/9
D529,927 S * 10/2006 Chu D15/9
D529,928 S * 10/2006 Chu D15/9
D529,929 S * 10/2006 Chu D15/9
D529,930 S * 10/2006 Chu D15/9
D533,881 S * 12/2006 Chu D15/9
D540,824 S * 4/2007 Chu D15/9
D541,307 S * 4/2007 Chu D15/9
D541,308 S * 4/2007 Chu D15/9
D554,666 S * 11/2007 Chu D15/9
D554,667 S * 11/2007 Chu D15/9
D555,174 S * 11/2007 Hwang D15/9
D556,782 S * 12/2007 Chu D15/9
D556,783 S * 12/2007 Chu D15/9
D556,784 S * 12/2007 Chu D15/9
D556,785 S * 12/2007 Chu D15/9
D556,786 S * 12/2007 Chu D15/9
D557,287 S * 12/2007 Chu D15/9
D557,288 S * 12/2007 Chu D15/9
D574,854 S * 8/2008 Chu D15/9

(57) **CLAIM**
The ornamental design for a cap for air compressor, as shown and described.

DESCRIPTION

FIG. 1 is a front perspective view of a cap for air compressor showing my new design;
FIG. 2 is a front elevational view thereof;
FIG. 3 is a rear elevational view thereof;
FIG. 4 is a top plan view thereof;
FIG. 5 is a bottom plan view thereof;
FIG. 6 is a left side elevational view thereof;
FIG. 7 is a right side elevational view thereof;
FIG. 8 is a rear perspective view thereof;
FIG. 9 is a front perspective view thereof, the opening and the depressions and the bulges depicted by means of broken lines being for illustrative purposes only and forming no part of the claimed design;
FIG. 10 is a rear perspective view thereof, the notch depicted by means of broken lines being for illustrative purposes only and forming no part of the claimed design; and,
FIG. 11 is a front elevational view thereof, the opening and the depressions and the bulges depicted by means of broken lines being for illustrative purposes only and forming no part of the claimed design.

1 Claim, 6 Drawing Sheets



US D657,390 S

Page 2

U.S. PATENT DOCUMENTS

* cited by examiner

D648,749 S	*	11/2011	Chu	D15/9
D648,751 S	*	11/2011	Chu	D15/9
D648,752 S	*	11/2011	Chu	D15/9
D648,753 S	*	11/2011	Chu	D15/9

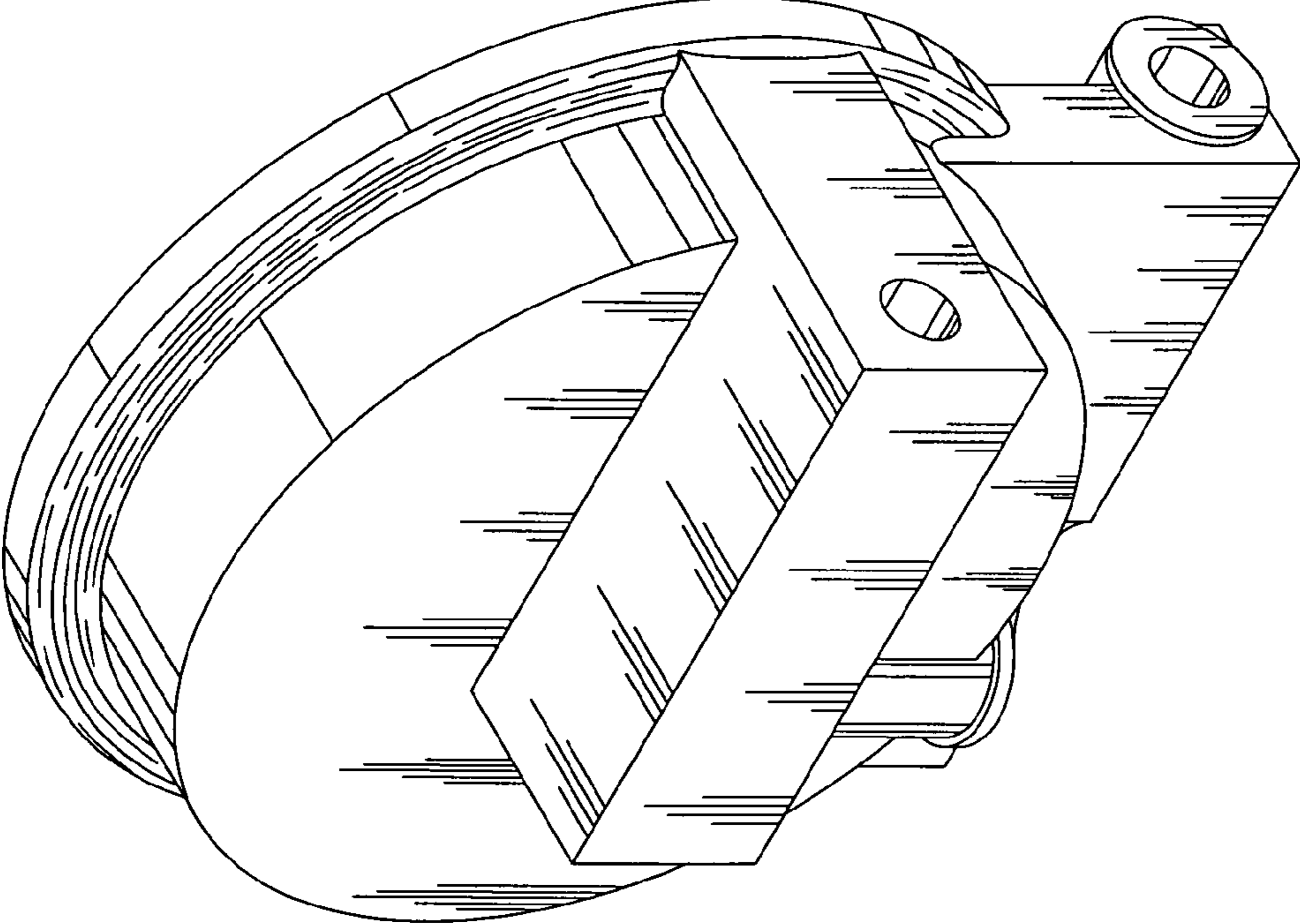


FIG. 1

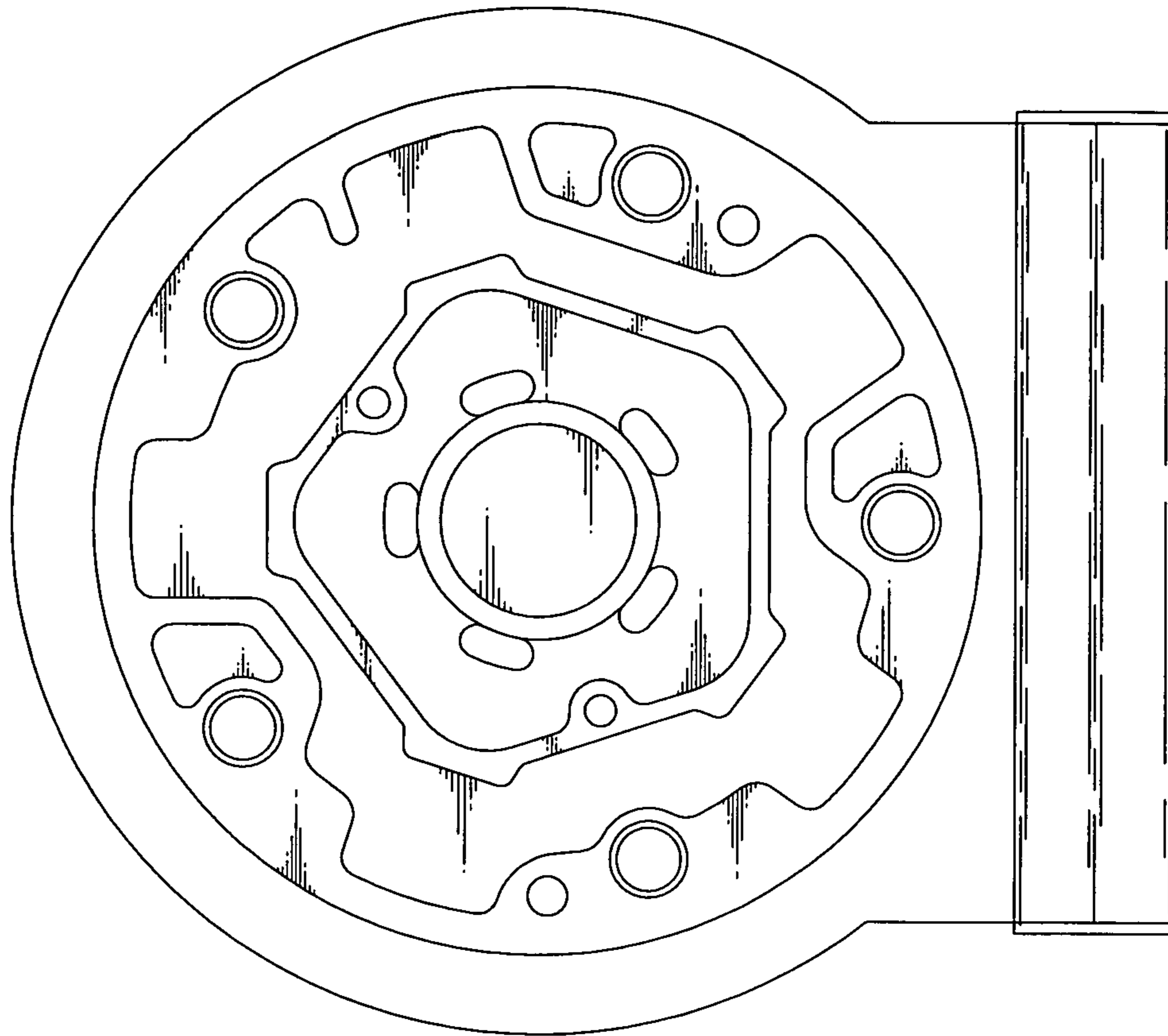


FIG. 3

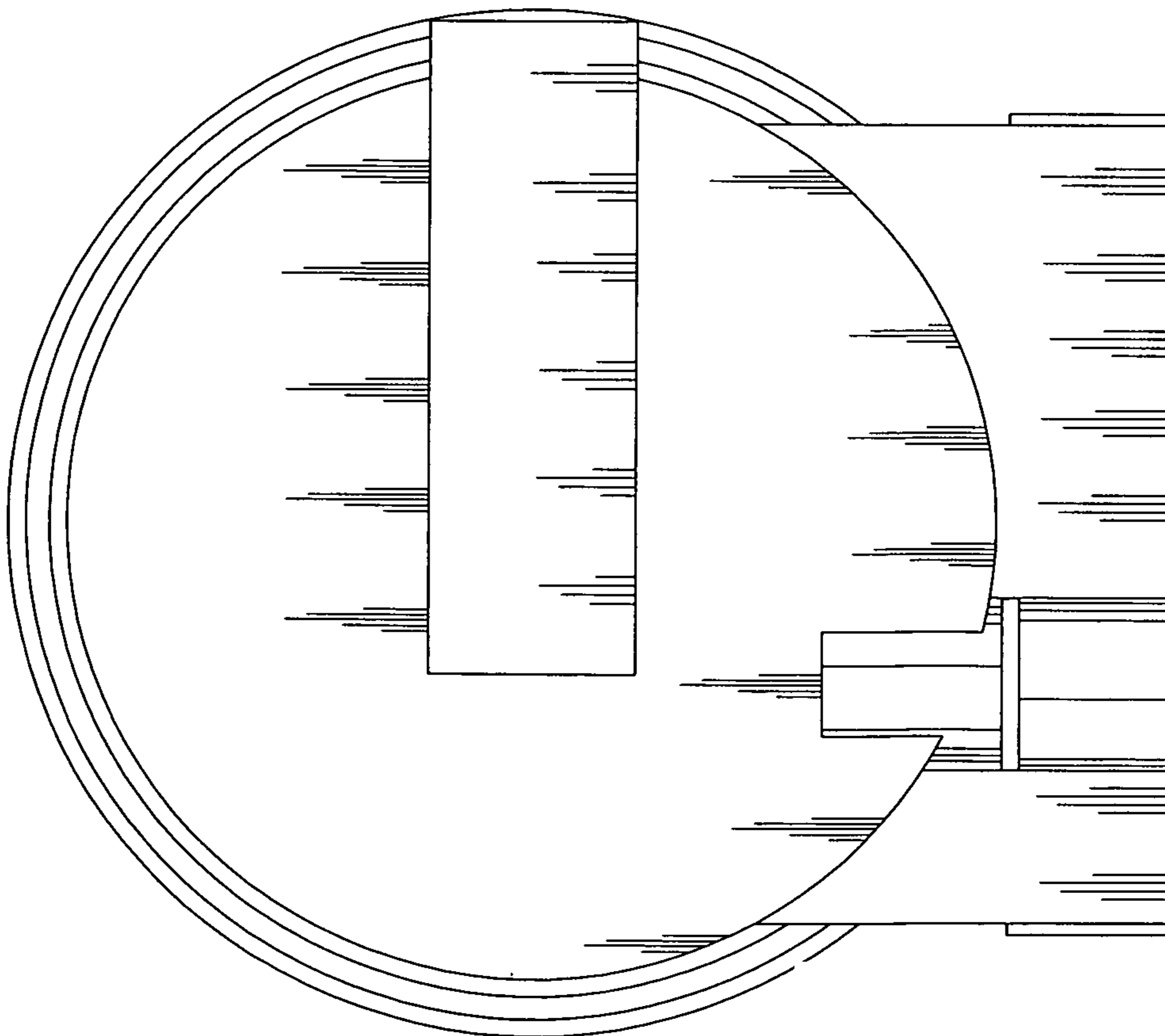


FIG. 2

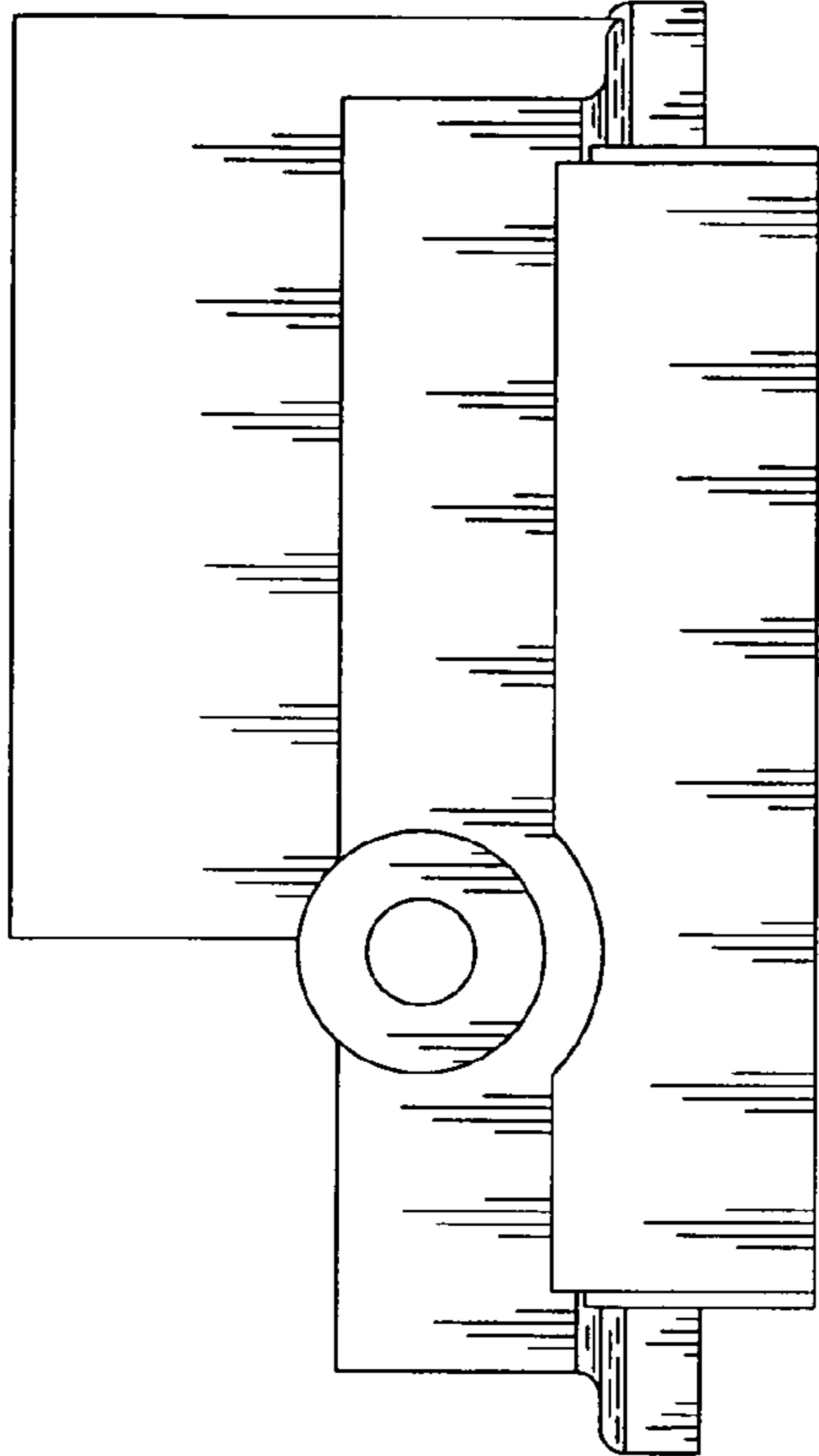


FIG. 4

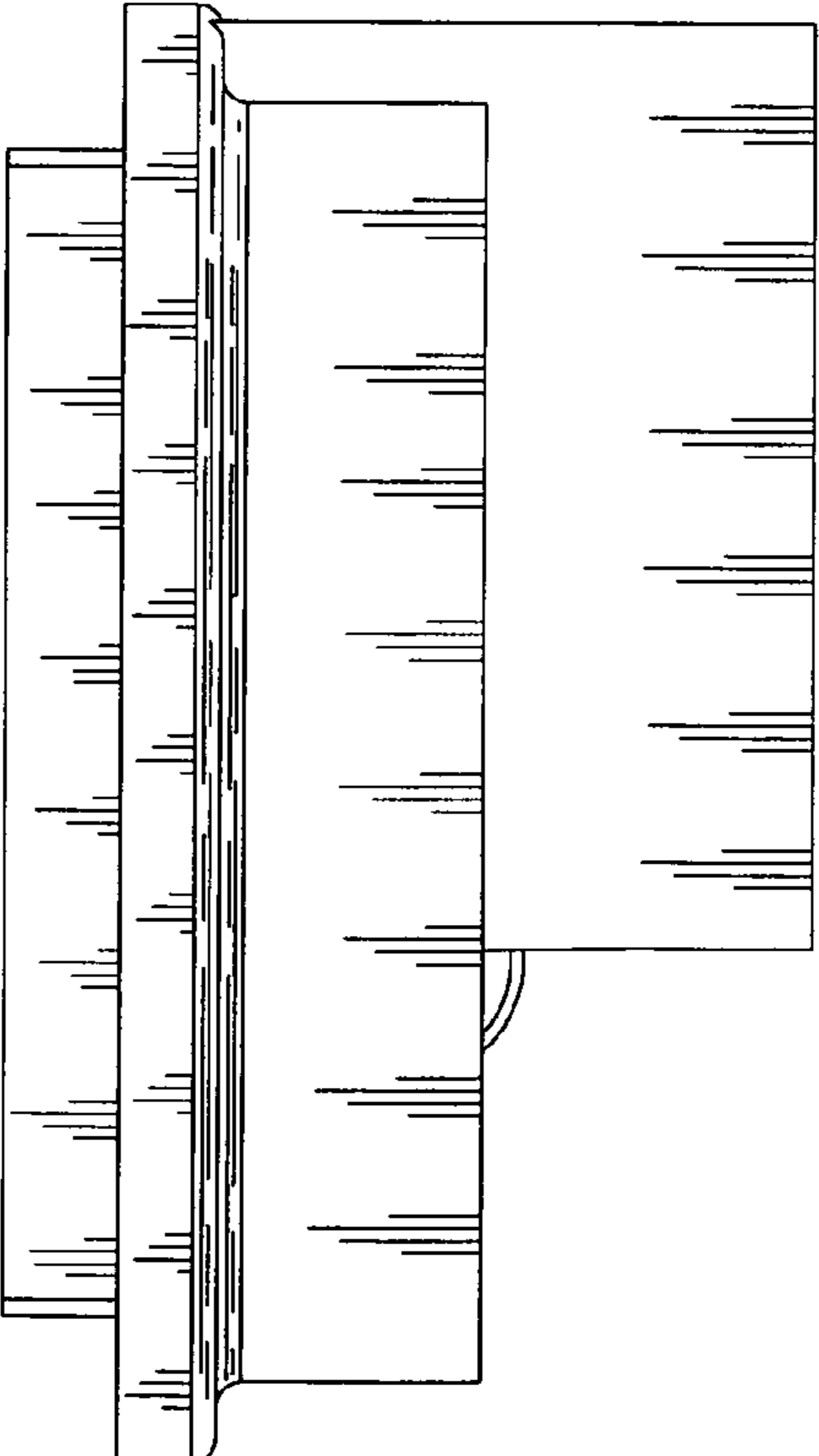


FIG. 5

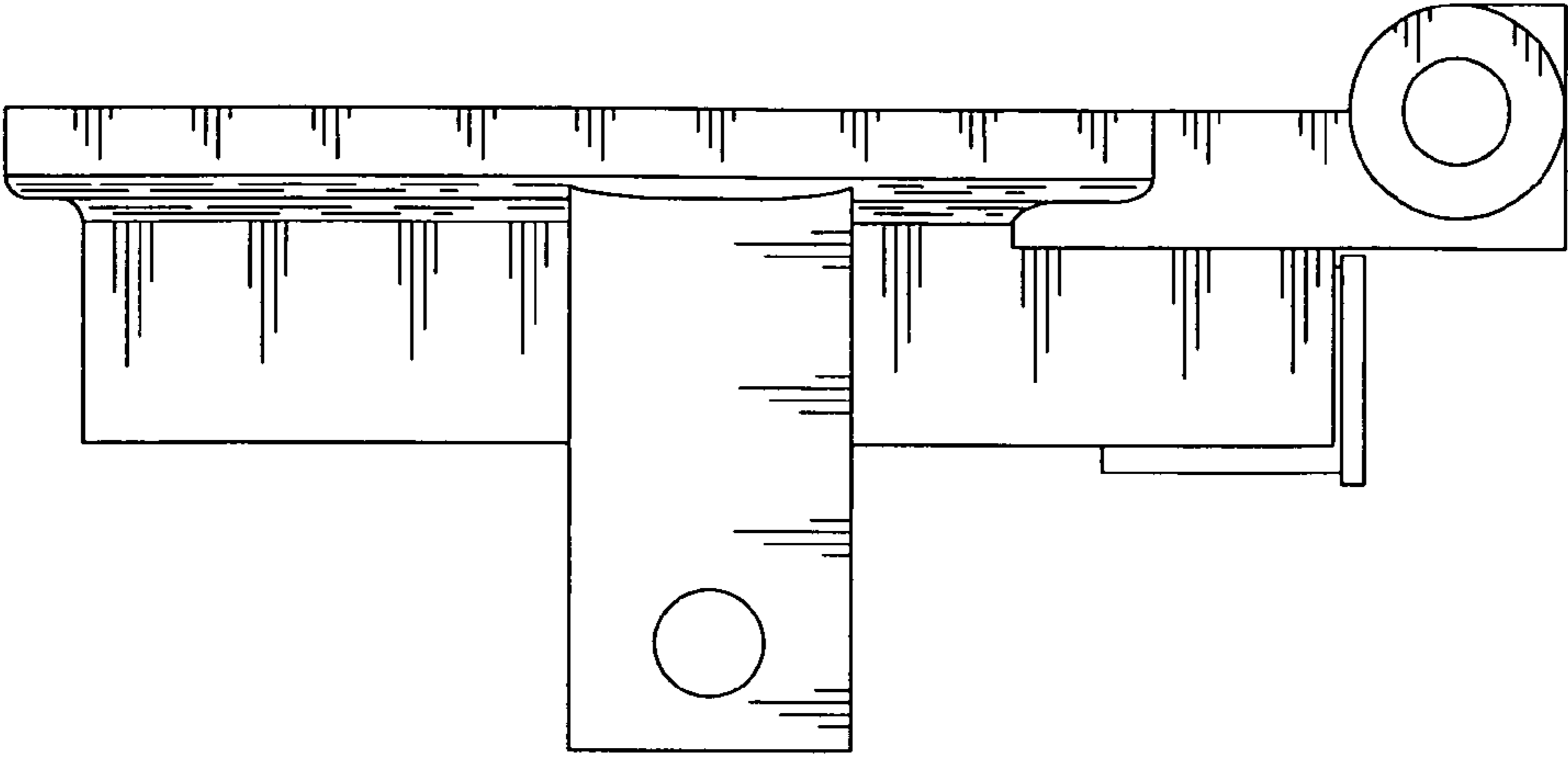


FIG. 7

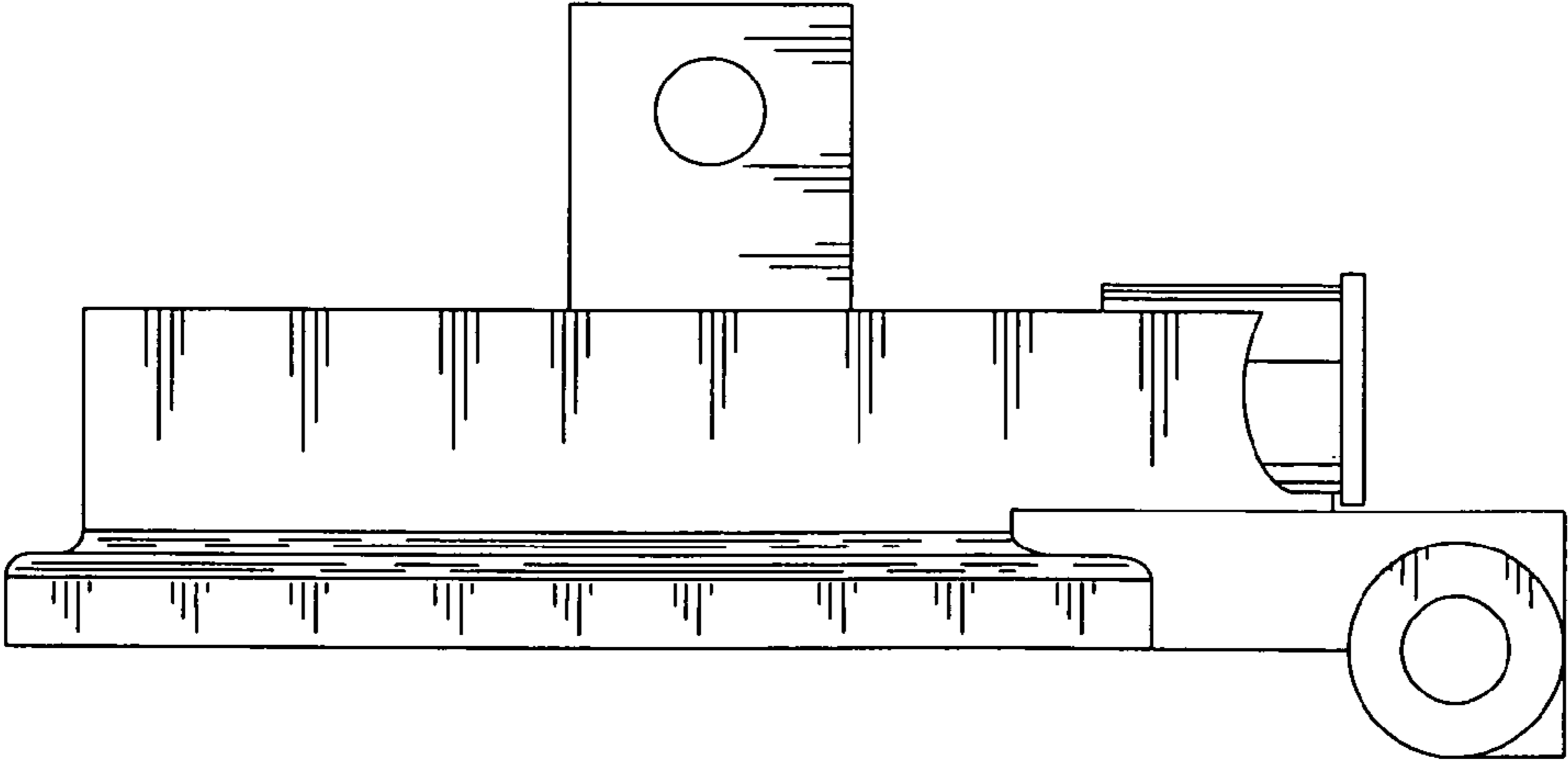


FIG. 6

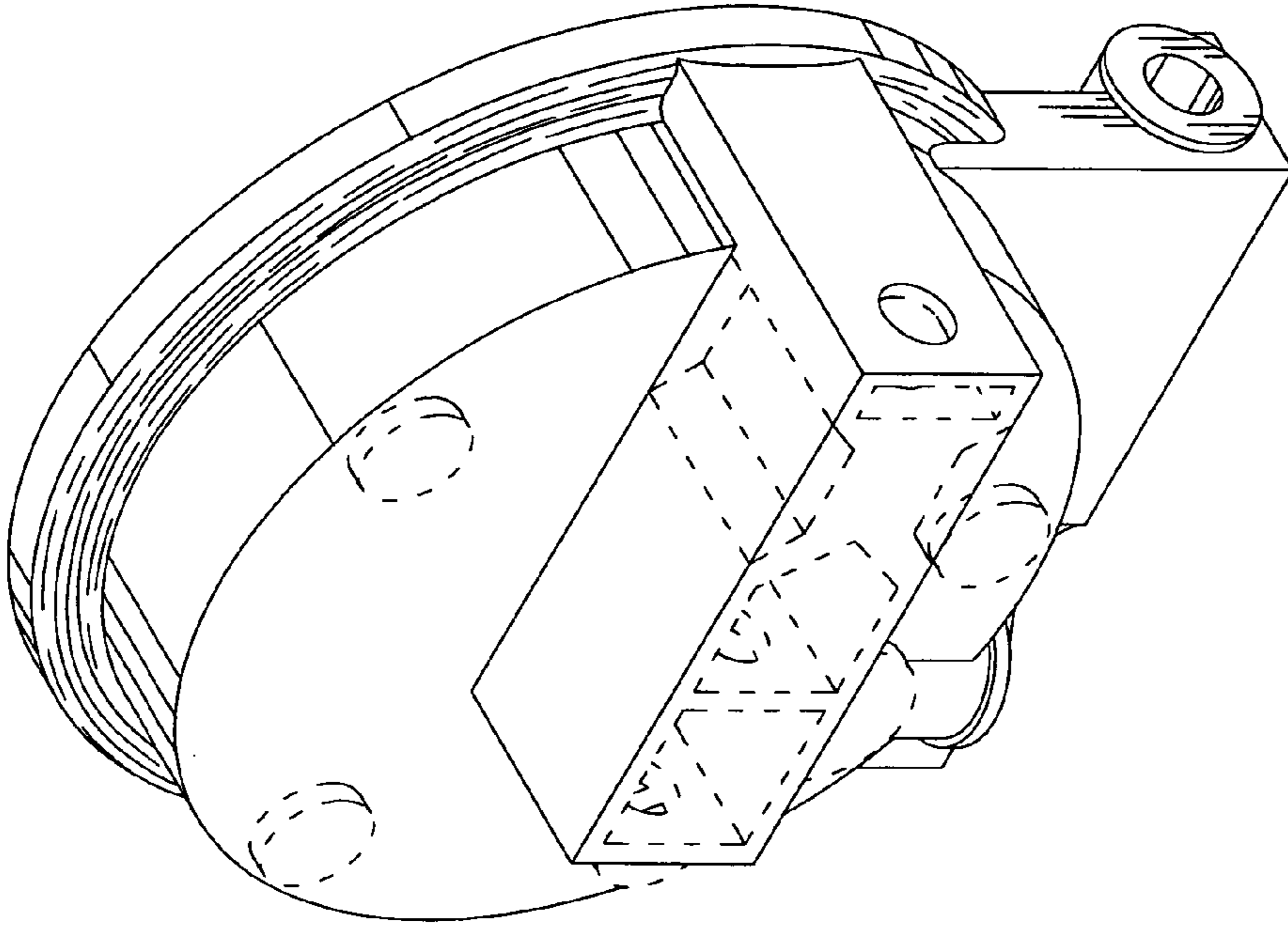


FIG. 9

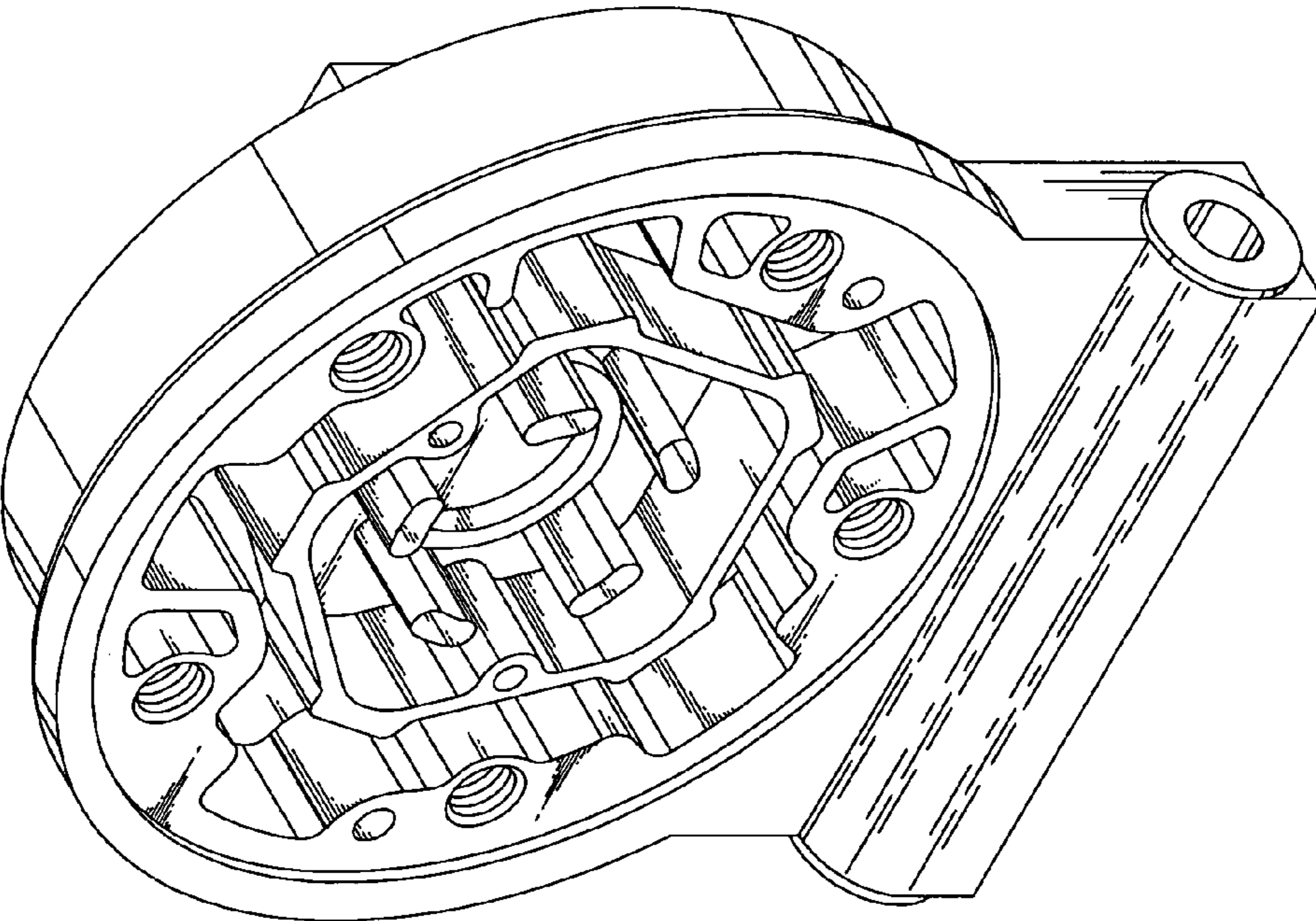


FIG. 8

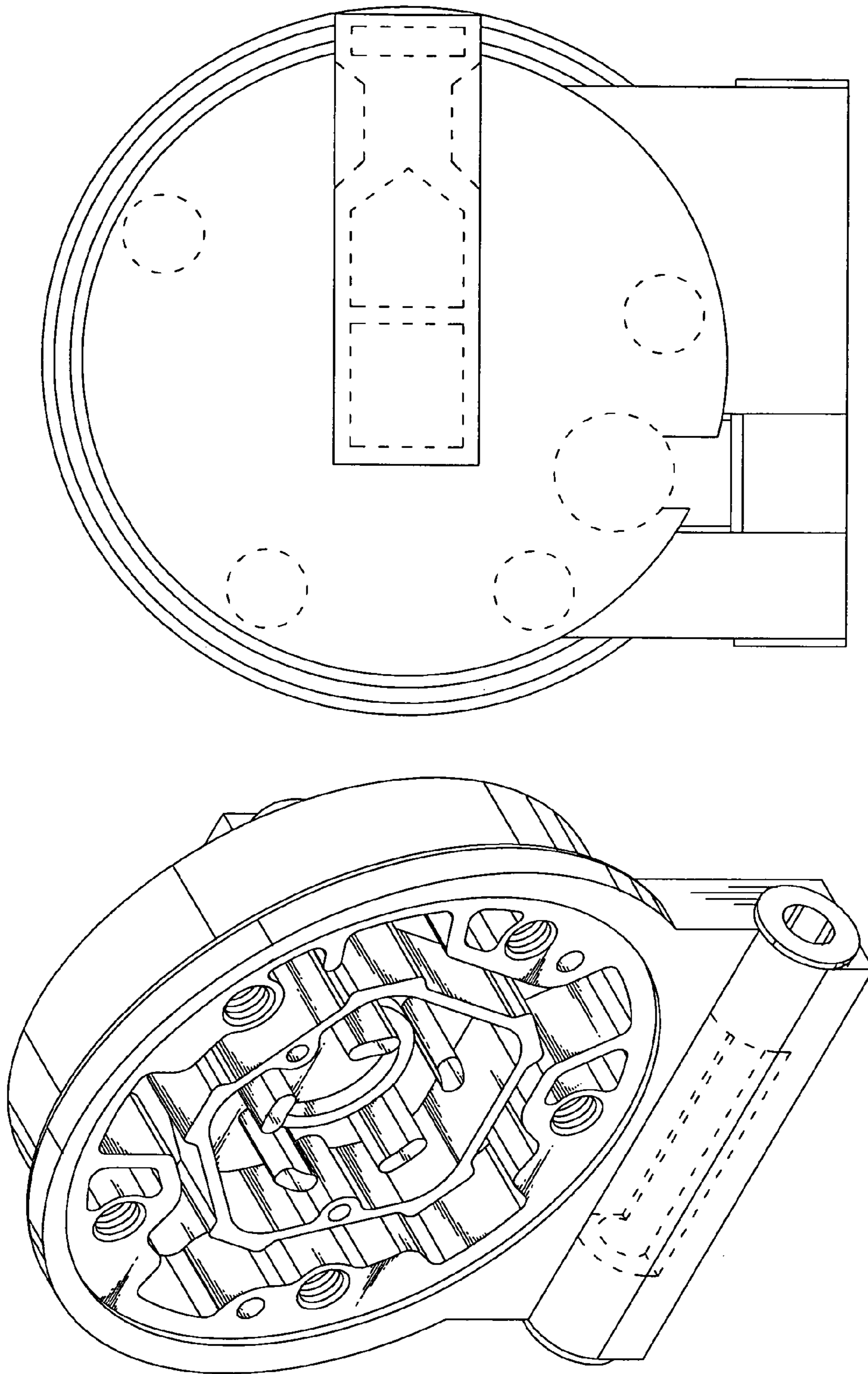


FIG. 11

FIG. 10