



US00D657389S

(12) **United States Design Patent**  
**Chu**

(10) **Patent No.:** **US D657,389 S**

(45) **Date of Patent:** **\*\* Apr. 10, 2012**

(54) **CAP FOR AIR COMPRESSOR**

(76) Inventor: **Henry C. Chu**, Orange, CA (US)

(\*\*) Term: **14 Years**

(21) Appl. No.: **29/373,804**

(22) Filed: **May 24, 2011**

(51) **LOC (9) Cl.** ..... **15-02**

(52) **U.S. Cl.** ..... **D15/9**

(58) **Field of Classification Search** ..... D15/7-9;  
D23/231, 232; 417/410.1, 359, 415-416,  
417/234, 321, 265, 405, 313

See application file for complete search history.

D574,855 S \* 8/2008 Chu ..... D15/9  
D574,858 S \* 8/2008 Chu ..... D15/9  
D575,306 S \* 8/2008 Chu ..... D15/9  
D575,307 S \* 8/2008 Chu ..... D15/9  
D575,802 S \* 8/2008 Chu ..... D15/9  
D589,064 S \* 3/2009 Chu ..... D15/9  
D589,534 S \* 3/2009 Chu ..... D15/9  
D603,873 S \* 11/2009 Chu ..... D15/9  
D603,874 S \* 11/2009 Chu ..... D15/9  
D603,875 S \* 11/2009 Chu ..... D15/9  
D617,349 S \* 6/2010 Chu ..... D15/9  
D647,925 S \* 11/2011 Chu ..... D15/9  
D648,749 S \* 11/2011 Chu ..... D15/9  
D648,751 S \* 11/2011 Chu ..... D15/9  
D648,752 S \* 11/2011 Chu ..... D15/9  
D648,753 S \* 11/2011 Chu ..... D15/9

\* cited by examiner

(56) **References Cited**

**U.S. PATENT DOCUMENTS**

D381,993 S \* 8/1997 Takenaka et al. .... D15/9  
D429,738 S \* 8/2000 Kayukawa et al. .... D15/9  
D441,377 S \* 5/2001 Kawaguchi et al. .... D15/9  
D460,460 S \* 7/2002 Kayukawa et al. .... D15/9  
D462,700 S \* 9/2002 Fujita ..... D15/9  
D506,477 S \* 6/2005 Chu et al. .... D15/9  
D507,280 S \* 7/2005 Chu et al. .... D15/9  
D529,049 S \* 9/2006 Chu ..... D15/9  
D529,050 S \* 9/2006 Chu ..... D15/9  
D529,517 S \* 10/2006 Chu ..... D15/9  
D529,927 S \* 10/2006 Chu ..... D15/9  
D529,928 S \* 10/2006 Chu ..... D15/9  
D529,929 S \* 10/2006 Chu ..... D15/9  
D529,930 S \* 10/2006 Chu ..... D15/9  
D533,881 S \* 12/2006 Chu ..... D15/9  
D540,824 S \* 4/2007 Chu ..... D15/9  
D541,307 S \* 4/2007 Chu ..... D15/9  
D541,308 S \* 4/2007 Chu ..... D15/9  
D554,666 S \* 11/2007 Chu ..... D15/9  
D554,667 S \* 11/2007 Chu ..... D15/9  
D555,174 S \* 11/2007 Hwang ..... D15/9  
D556,782 S \* 12/2007 Chu ..... D15/9  
D556,783 S \* 12/2007 Chu ..... D15/9  
D556,784 S \* 12/2007 Chu ..... D15/9  
D556,785 S \* 12/2007 Chu ..... D15/9  
D556,786 S \* 12/2007 Chu ..... D15/9  
D557,287 S \* 12/2007 Chu ..... D15/9  
D557,288 S \* 12/2007 Chu ..... D15/9  
D574,854 S \* 8/2008 Chu ..... D15/9

*Primary Examiner* — R. Seifert

(74) *Attorney, Agent, or Firm* — Charles E. Baxley

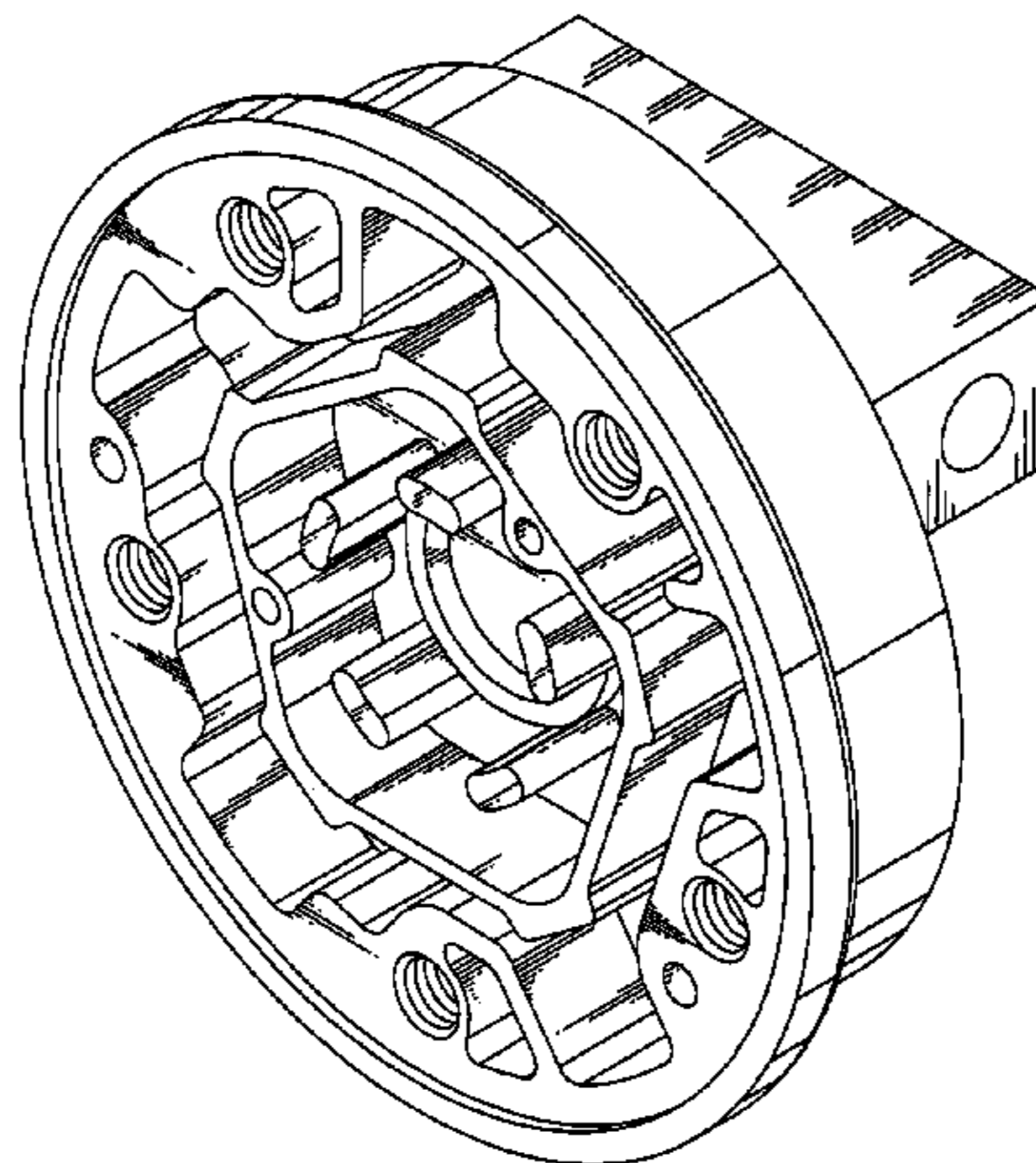
(57) **CLAIM**

The ornamental design for a cap for air compressor, as shown and described.

**DESCRIPTION**

FIG. 1 is a front perspective view of a cap for air compressor showing my new design;  
FIG. 2 is a front elevational view thereof;  
FIG. 3 is a rear elevational view thereof;  
FIG. 4 is a top plan view thereof;  
FIG. 5 is a bottom plan view thereof;  
FIG. 6 is a left side elevational view thereof;  
FIG. 7 is a right side elevational view thereof;  
FIG. 8 is a rear perspective view thereof;  
FIG. 9 is a front perspective view thereof, the opening and the protrusions and the bulges depicted by means of broken lines being for illustrative purposes only and forming no part of the claimed design; and,  
FIG. 10 is a front elevational view thereof, the opening and the protrusions and the bulges depicted by means of broken lines being for illustrative purposes only and forming no part of the claimed design.

**1 Claim, 5 Drawing Sheets**



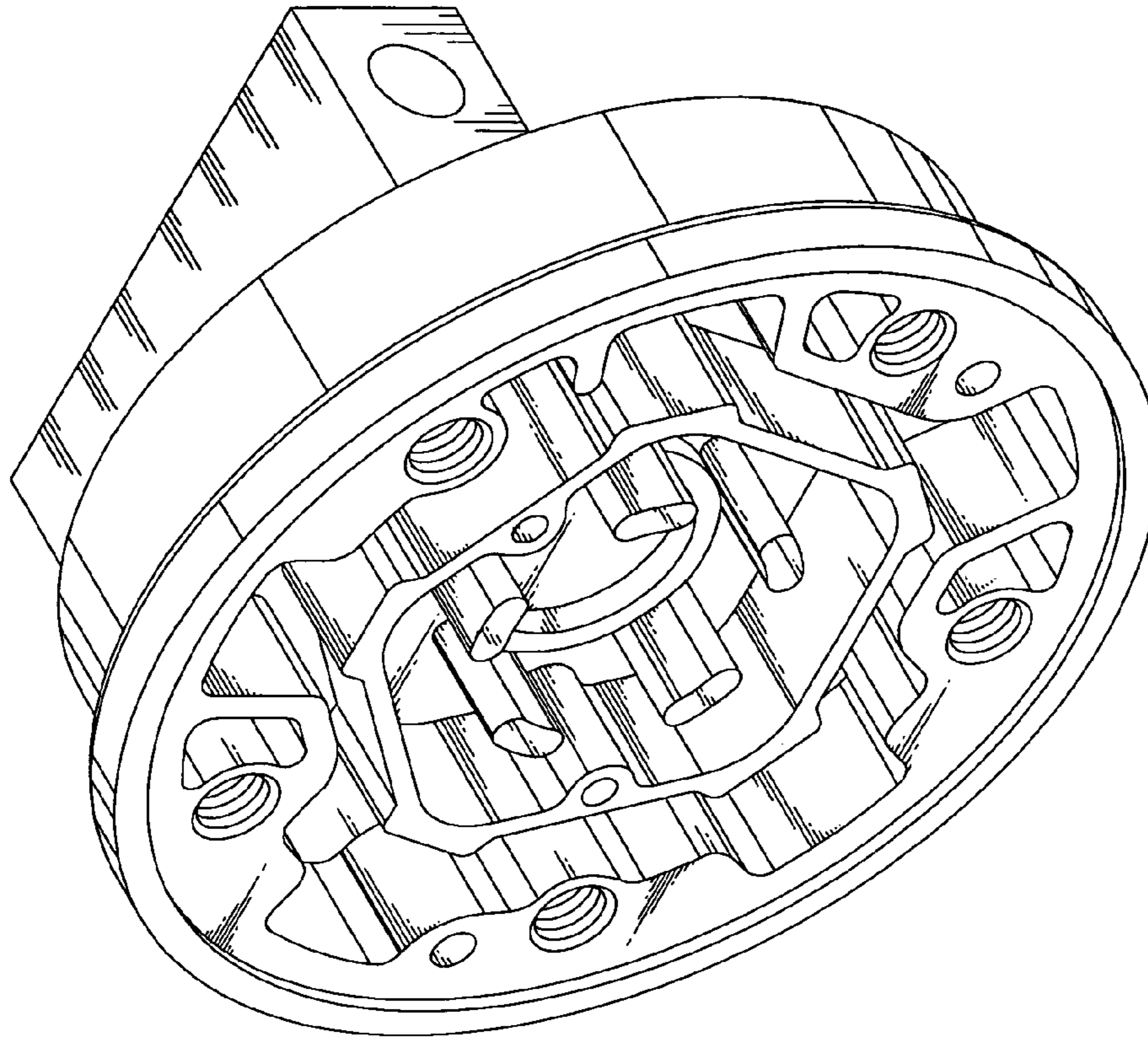


FIG. 8

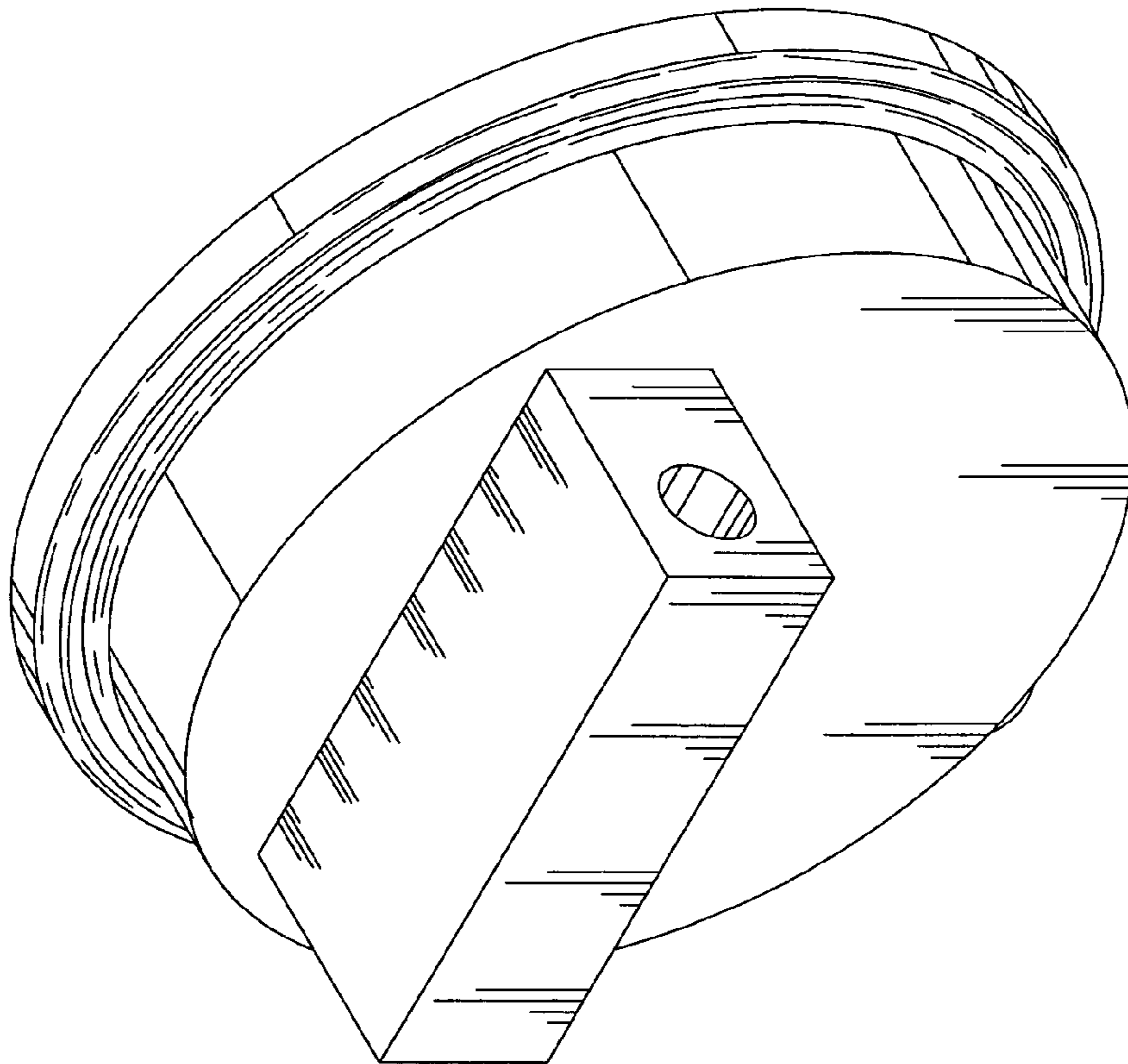


FIG. 1

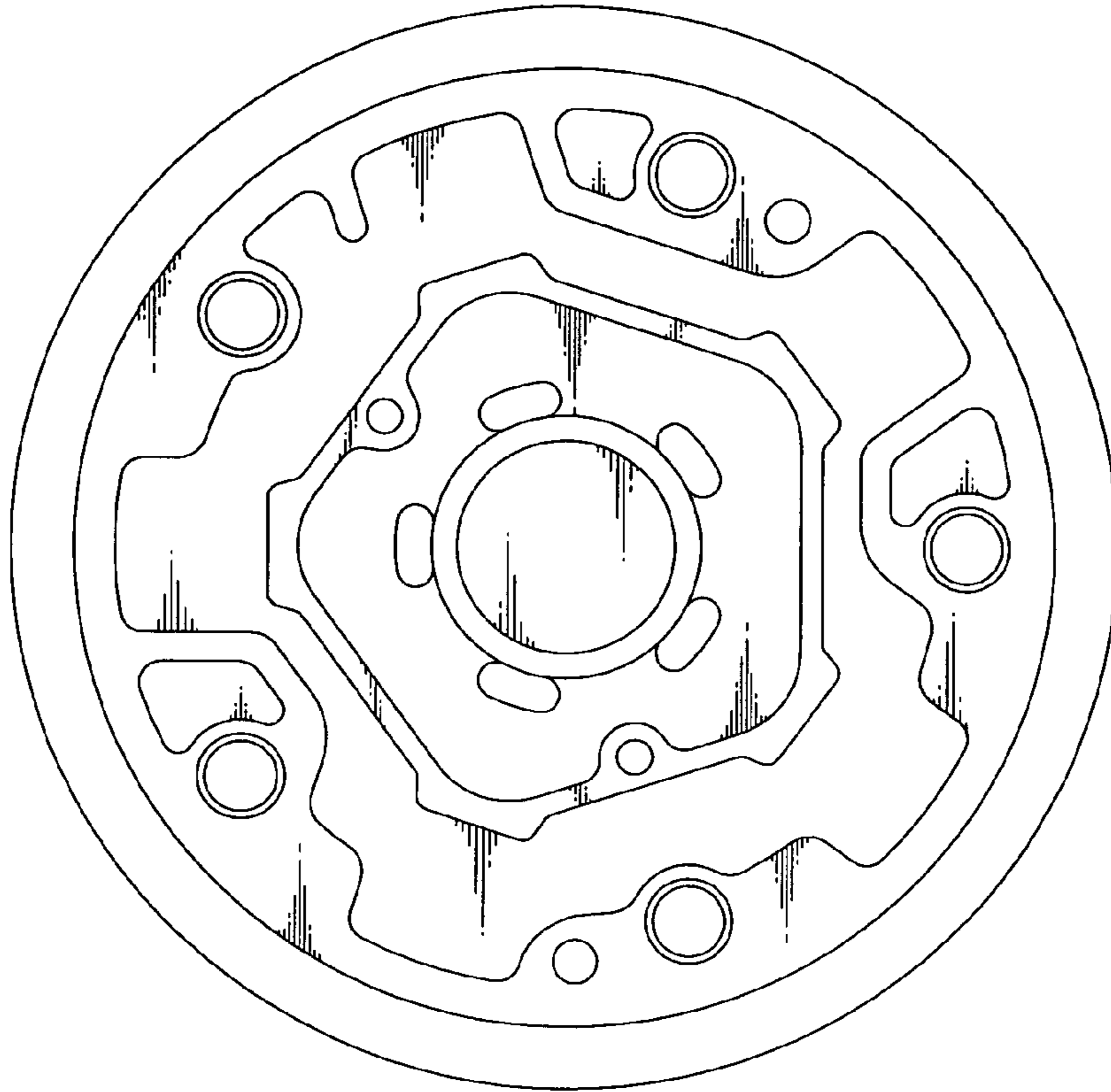


FIG. 3

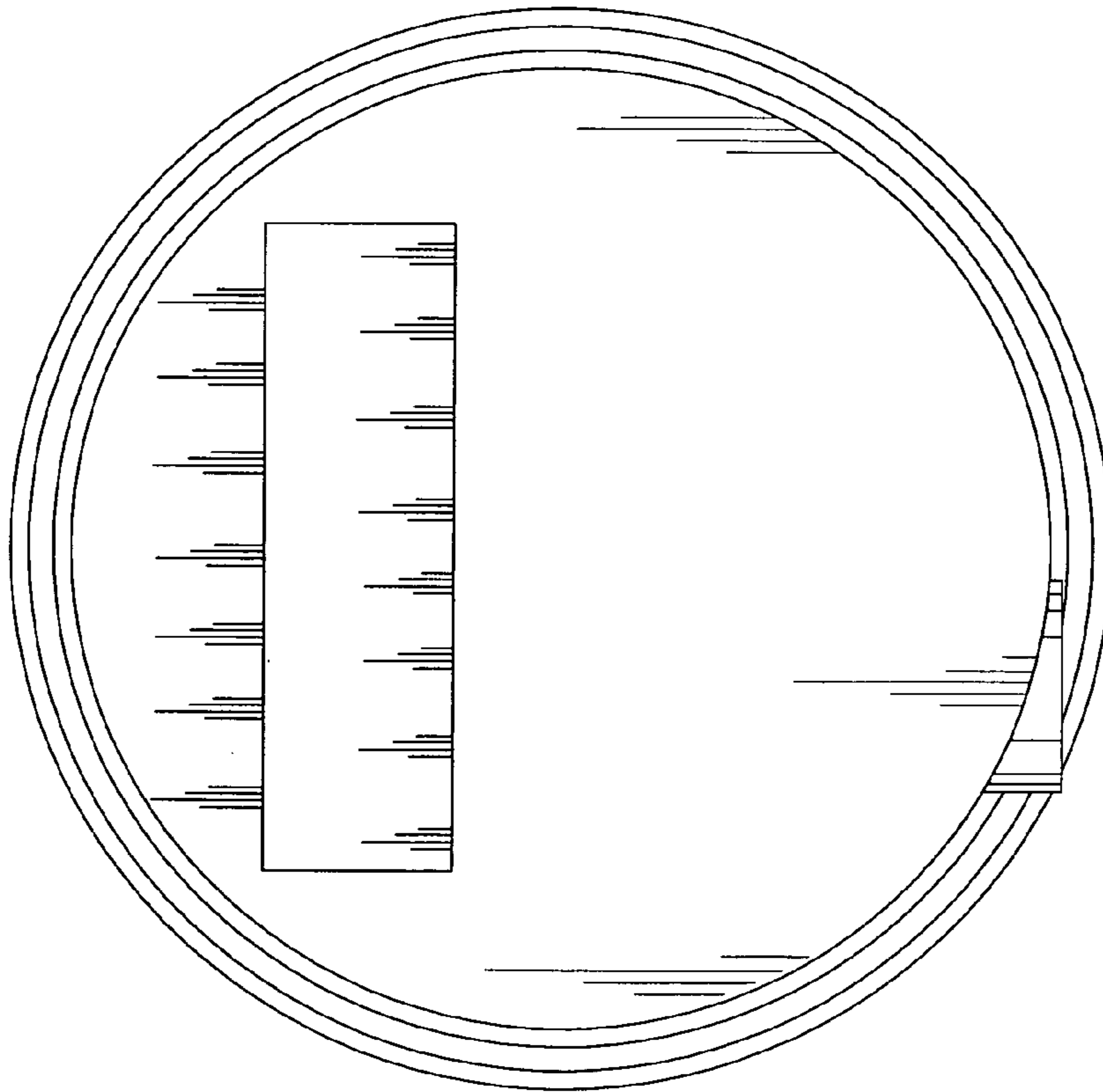


FIG. 2

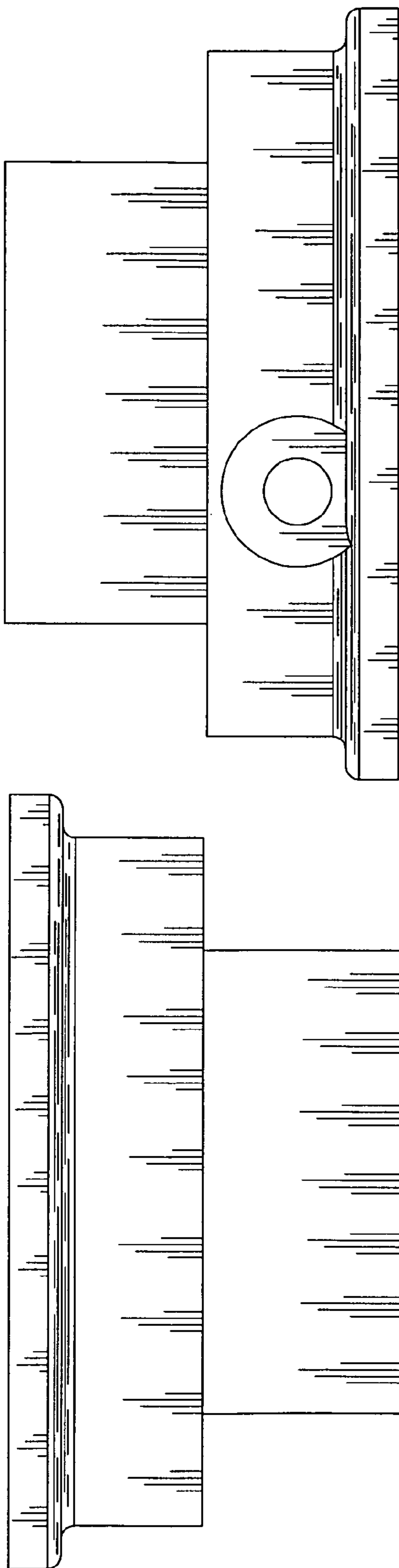


FIG. 4

FIG. 5

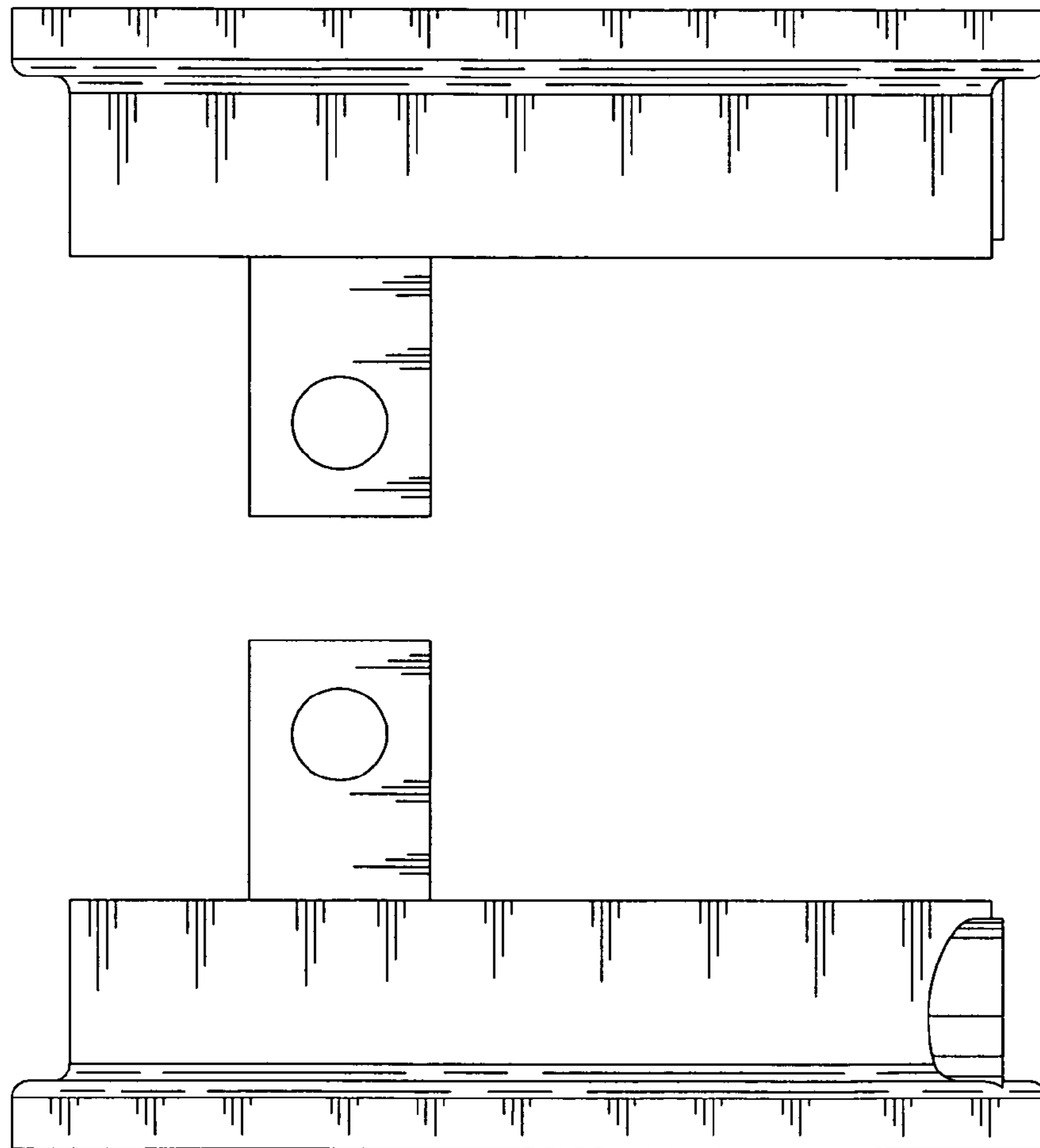


FIG. 7

FIG. 6

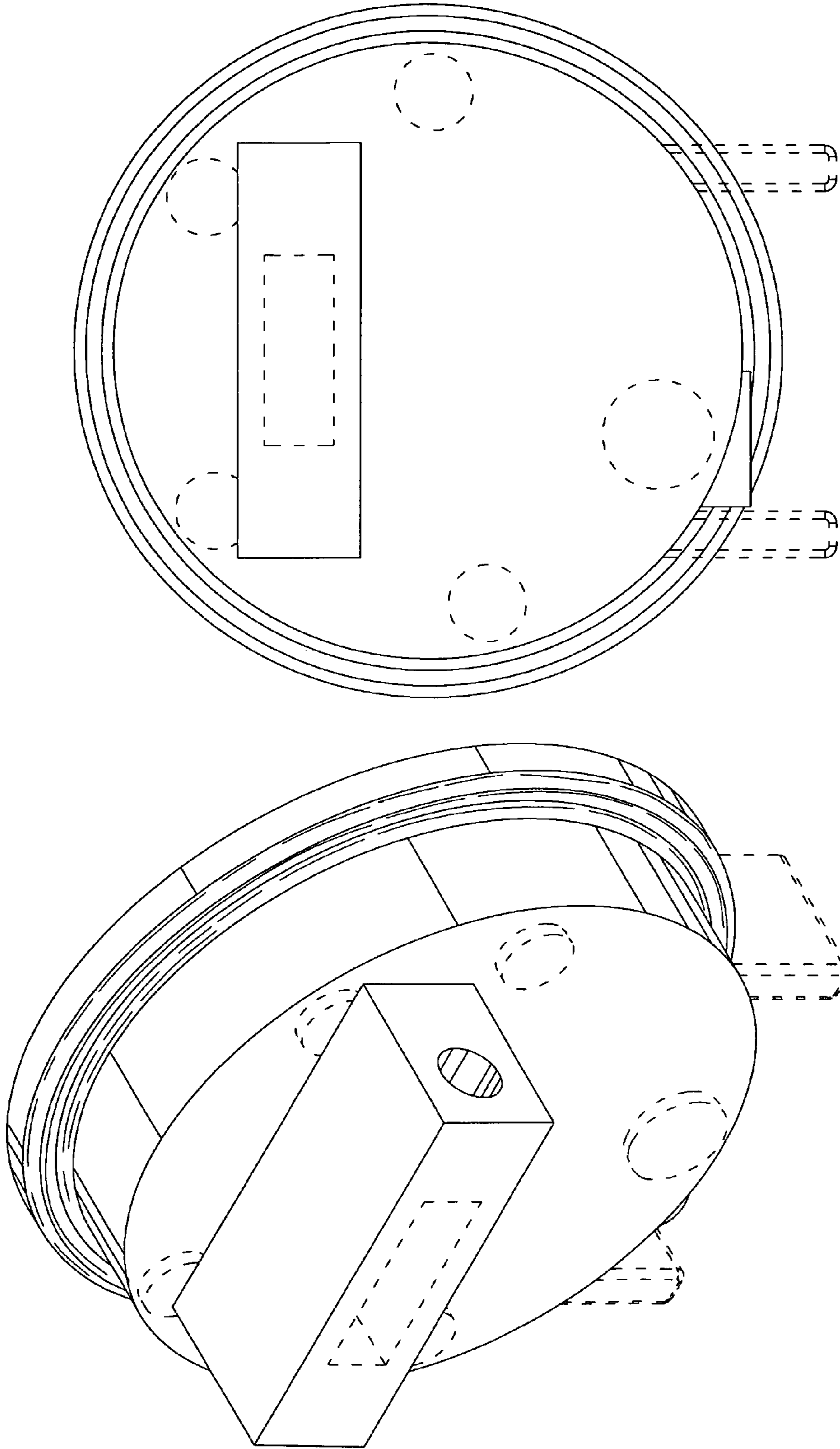


FIG. 10

FIG. 9