



US00D657388S

(12) **United States Design Patent**  
**Chu**

(10) **Patent No.:** **US D657,388 S**

(45) **Date of Patent:** **\*\* Apr. 10, 2012**

- (54) **CAP FOR AIR COMPRESSOR**
- (76) Inventor: **Henry C. Chu**, Orange, CA (US)
- (\*\*) Term: **14 Years**
- (21) Appl. No.: **29/373,803**
- (22) Filed: **May 24, 2011**
- (51) **LOC (9) Cl.** ..... **15-02**
- (52) **U.S. Cl.** ..... **D15/9**
- (58) **Field of Classification Search** ..... D15/7-9;  
D23/231, 232; 417/410.1, 359, 415-416,  
417/234, 321, 265, 405, 313  
See application file for complete search history.

D574,855 S *	8/2008	Chu	.....	D15/9
D574,858 S *	8/2008	Chu	.....	D15/9
D575,306 S *	8/2008	Chu	.....	D15/9
D575,307 S *	8/2008	Chu	.....	D15/9
D575,802 S *	8/2008	Chu	.....	D15/9
D589,064 S *	3/2009	Chu	.....	D15/9
D589,534 S *	3/2009	Chu	.....	D15/9
D603,873 S *	11/2009	Chu	.....	D15/9
D603,874 S *	11/2009	Chu	.....	D15/9
D603,875 S *	11/2009	Chu	.....	D15/9
D617,349 S *	6/2010	Chu	.....	D15/9
D647,925 S *	11/2011	Chu	.....	D15/9
D648,749 S *	11/2011	Chu	.....	D15/9
D648,751 S *	11/2011	Chu	.....	D15/9
D648,752 S *	11/2011	Chu	.....	D15/9
D648,753 S *	11/2011	Chu	.....	D15/9

\* cited by examiner

(56) **References Cited**

**U.S. PATENT DOCUMENTS**

D381,993 S *	8/1997	Takenaka et al.	.....	D15/9
D429,738 S *	8/2000	Kayukawa et al.	.....	D15/9
D441,377 S *	5/2001	Kawaguchi et al.	.....	D15/9
D460,460 S *	7/2002	Kayukawa et al.	.....	D15/9
D462,700 S *	9/2002	Fujita	.....	D15/9
D506,477 S *	6/2005	Chu et al.	.....	D15/9
D507,280 S *	7/2005	Chu et al.	.....	D15/9
D529,049 S *	9/2006	Chu	.....	D15/9
D529,050 S *	9/2006	Chu	.....	D15/9
D529,517 S *	10/2006	Chu	.....	D15/9
D529,927 S *	10/2006	Chu	.....	D15/9
D529,928 S *	10/2006	Chu	.....	D15/9
D529,929 S *	10/2006	Chu	.....	D15/9
D529,930 S *	10/2006	Chu	.....	D15/9
D533,881 S *	12/2006	Chu	.....	D15/9
D540,824 S *	4/2007	Chu	.....	D15/9
D541,307 S *	4/2007	Chu	.....	D15/9
D541,308 S *	4/2007	Chu	.....	D15/9
D554,666 S *	11/2007	Chu	.....	D15/9
D554,667 S *	11/2007	Chu	.....	D15/9
D555,174 S *	11/2007	Hwang	.....	D15/9
D556,782 S *	12/2007	Chu	.....	D15/9
D556,783 S *	12/2007	Chu	.....	D15/9
D556,784 S *	12/2007	Chu	.....	D15/9
D556,785 S *	12/2007	Chu	.....	D15/9
D556,786 S *	12/2007	Chu	.....	D15/9
D557,287 S *	12/2007	Chu	.....	D15/9
D557,288 S *	12/2007	Chu	.....	D15/9
D574,854 S *	8/2008	Chu	.....	D15/9

*Primary Examiner* — R. Seifert

(74) *Attorney, Agent, or Firm* — Charles E. Baxley

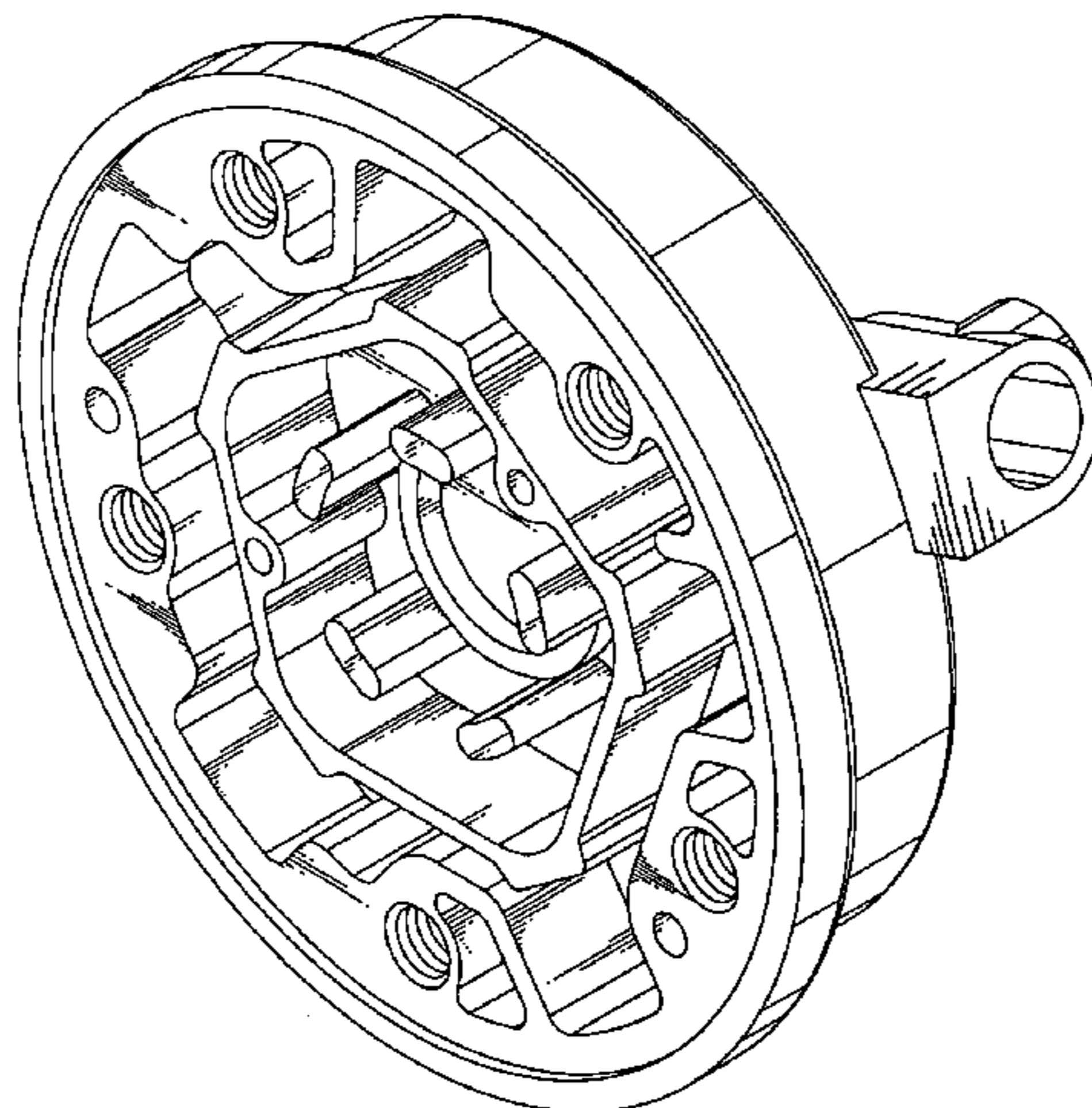
(57) **CLAIM**

The ornamental design for a cap for air compressor, as shown and described.

**DESCRIPTION**

FIG. 1 is a front perspective view of a cap for air compressor showing my new design;  
 FIG. 2 is a front elevational view thereof;  
 FIG. 3 is a rear elevational view thereof;  
 FIG. 4 is a top plan view thereof;  
 FIG. 5 is a bottom plan view thereof;  
 FIG. 6 is a left side elevational view thereof;  
 FIG. 7 is a right side elevational view thereof;  
 FIG. 8 is a rear perspective view thereof;  
 FIG. 9 is a front perspective view thereof, the opening and the protrusions and the bulges depicted by means of broken lines being for illustrative purposes only and forming no part of the claimed design; and,  
 FIG. 10 is a front elevational view thereof, the opening and the protrusions and the bulges depicted by means of broken lines being for illustrative purposes only and forming no part of the claimed design.

**1 Claim, 5 Drawing Sheets**



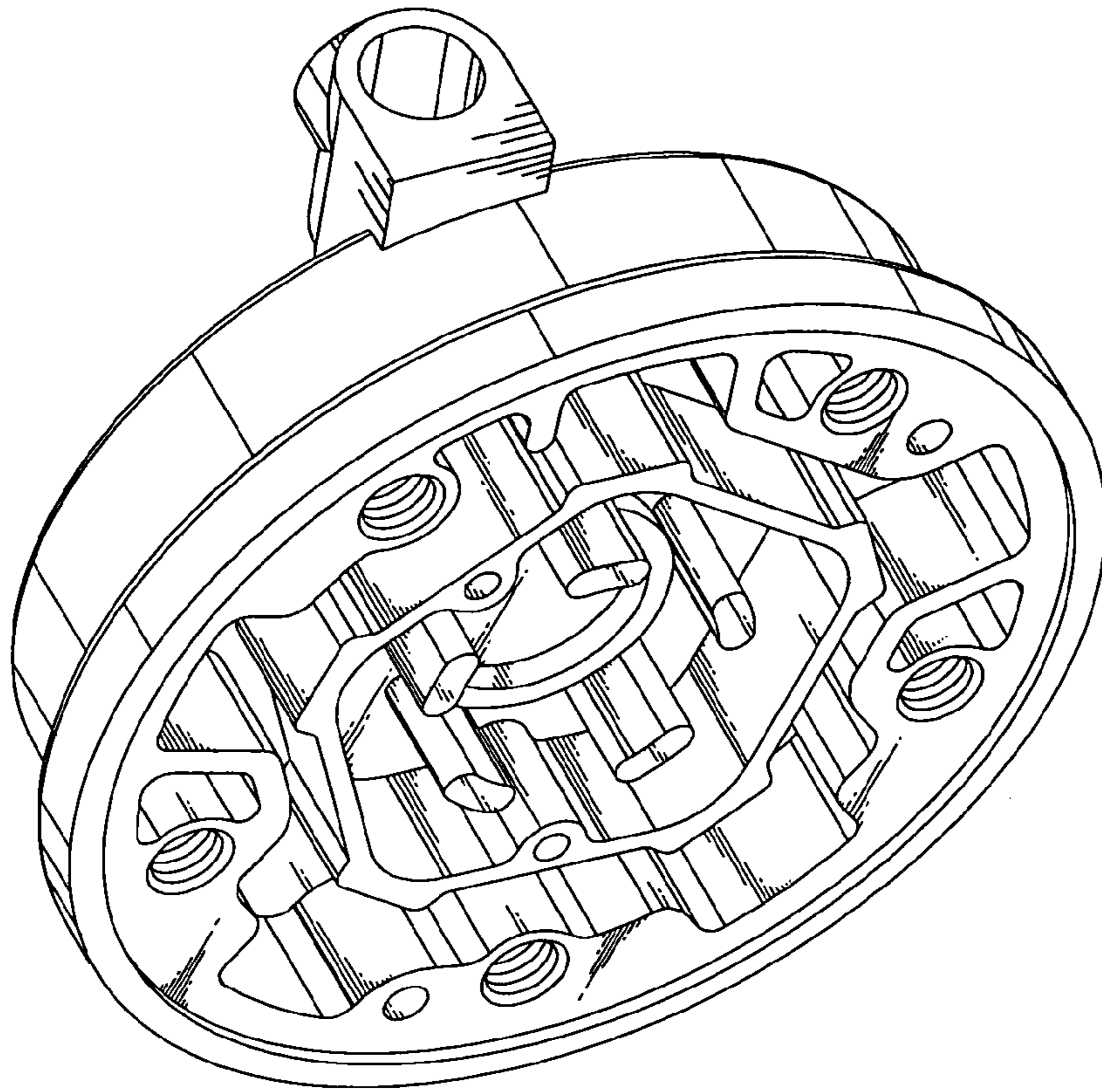


FIG. 8

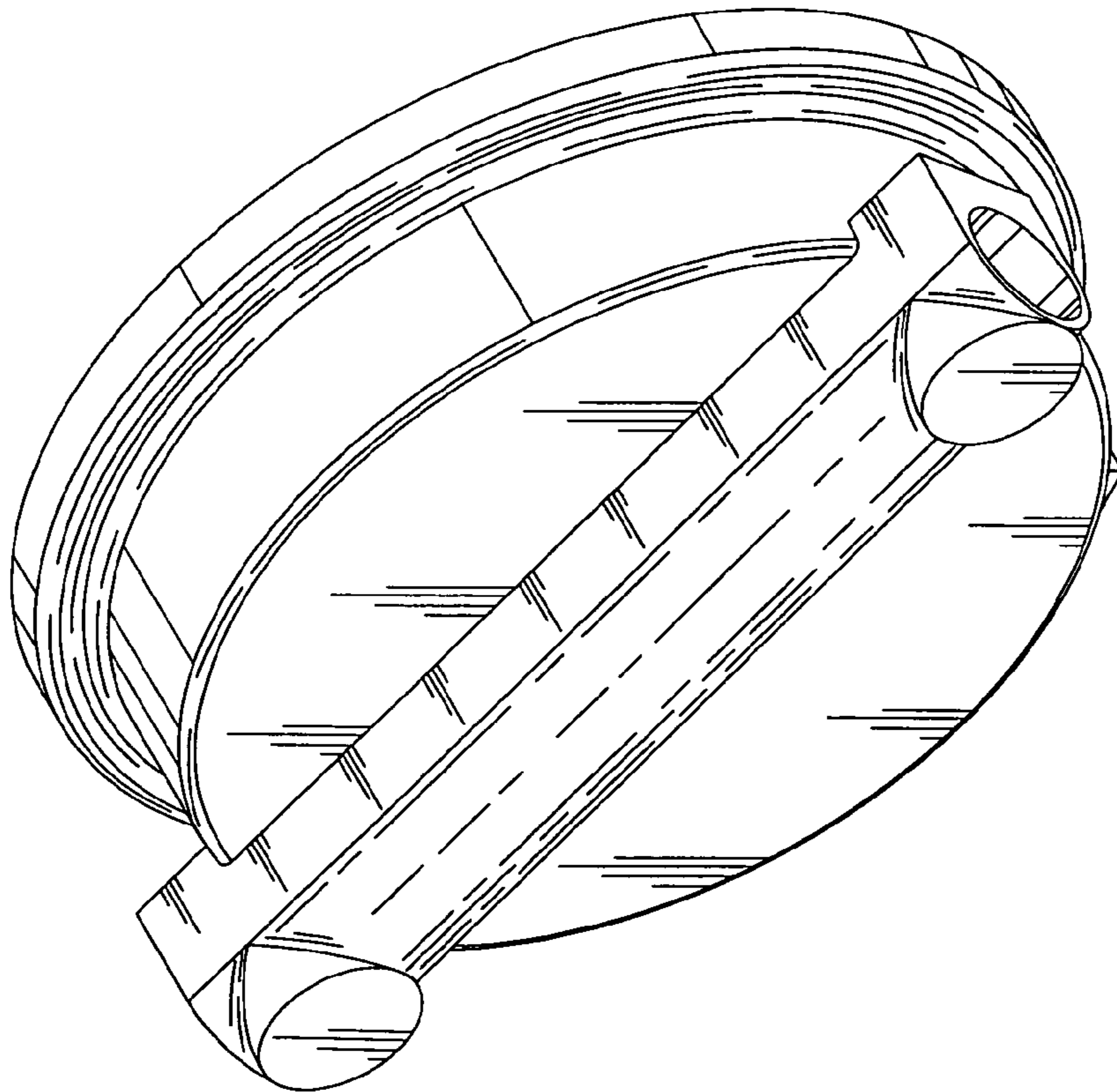


FIG. 1

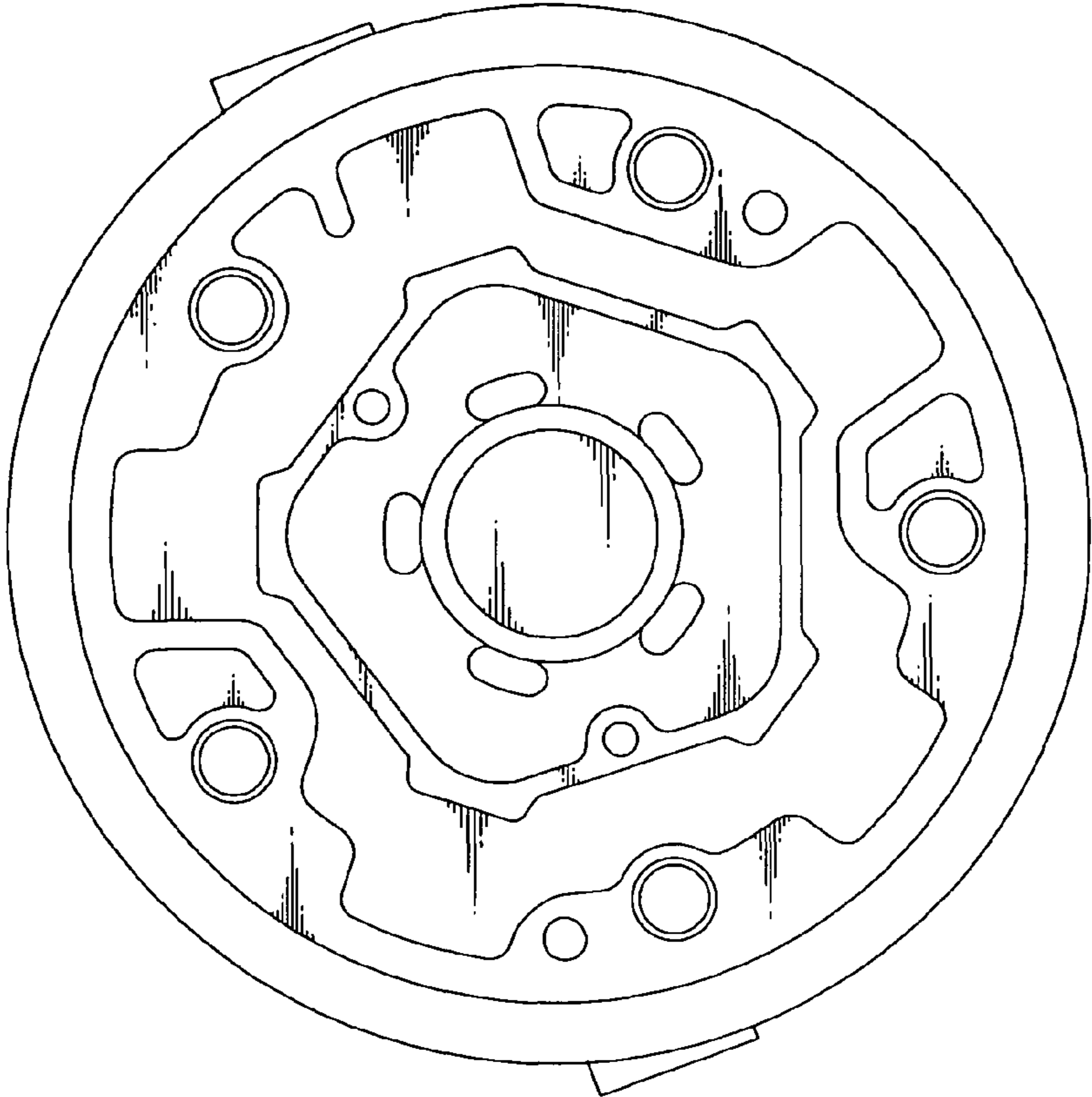


FIG. 3

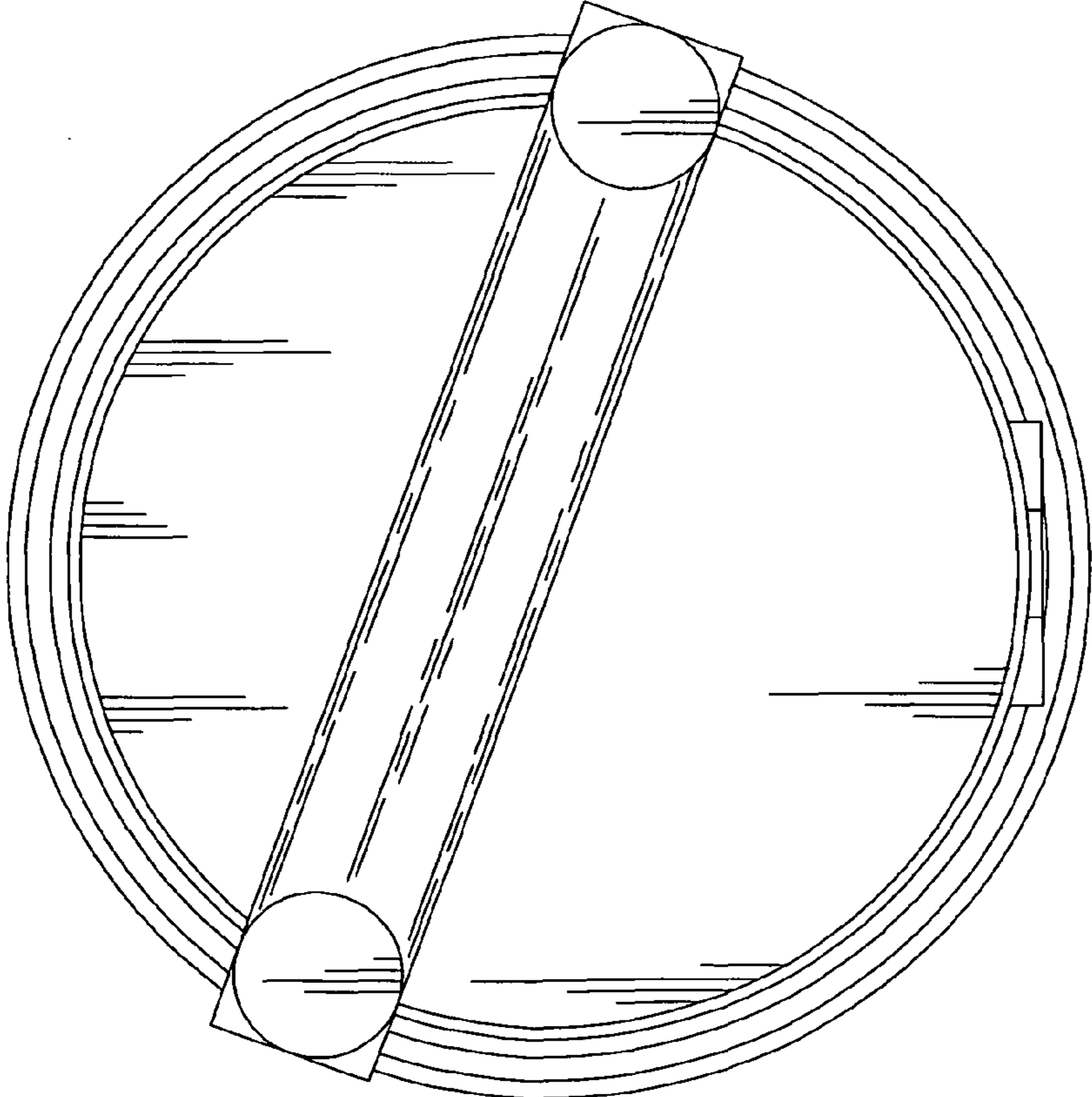


FIG. 2

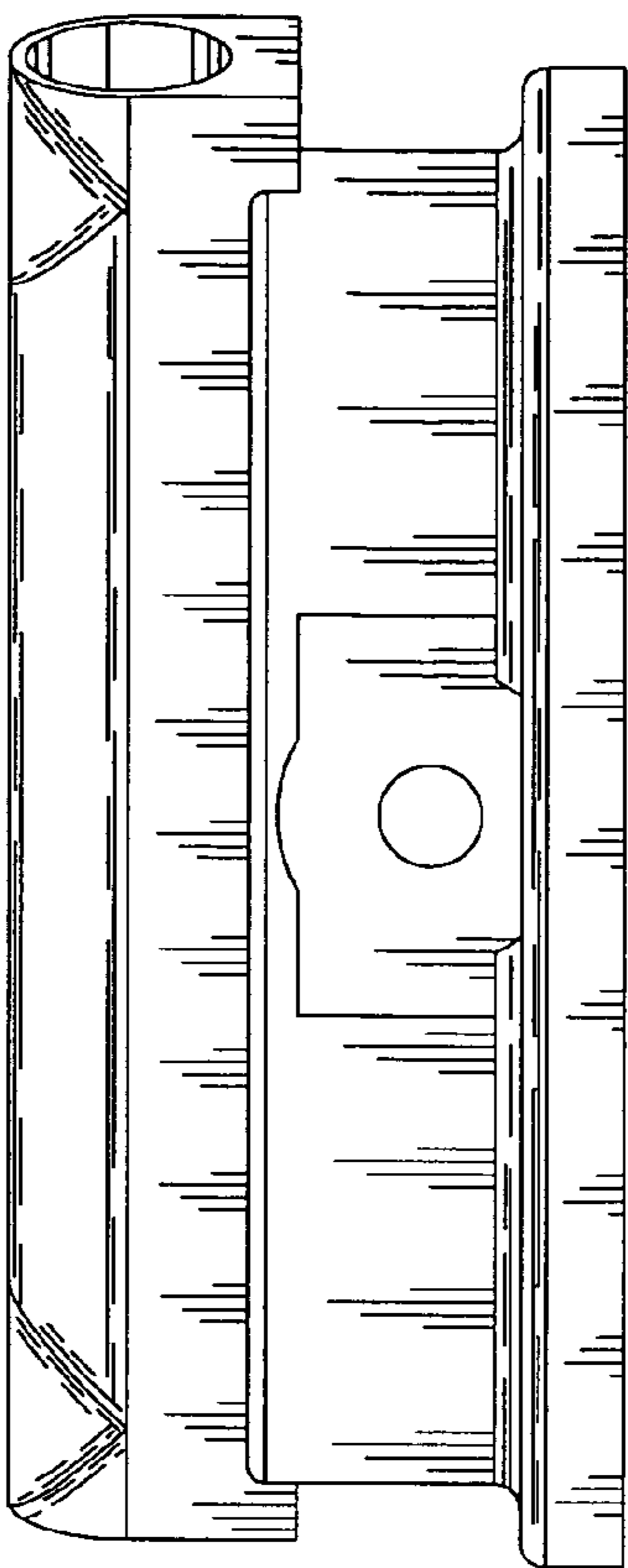


FIG. 5

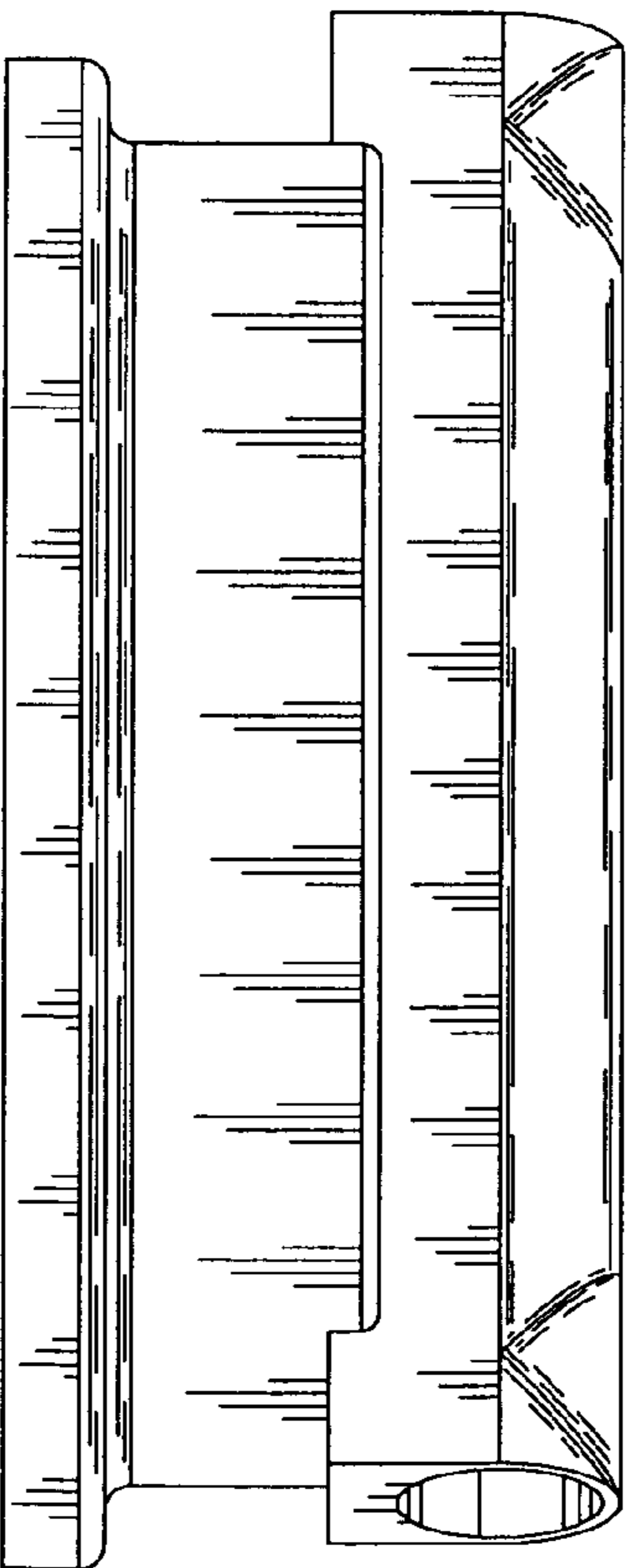


FIG. 4

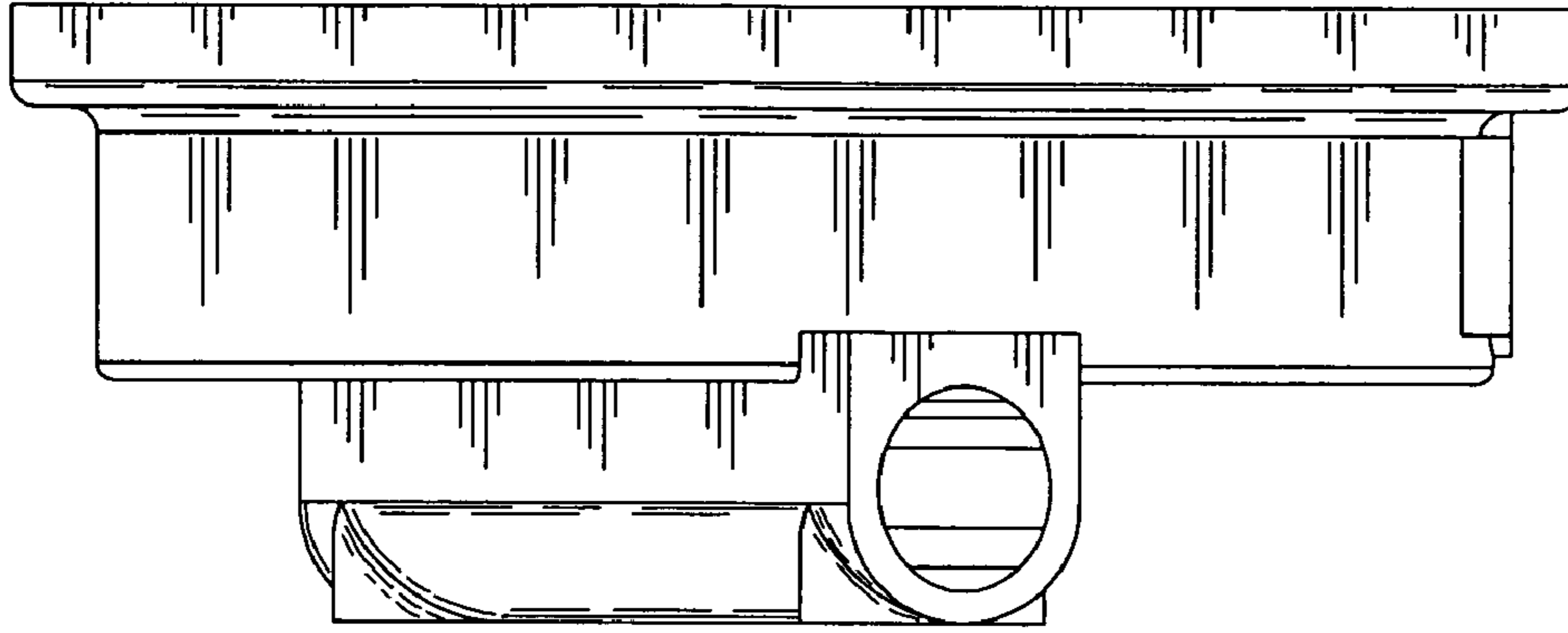


FIG. 7

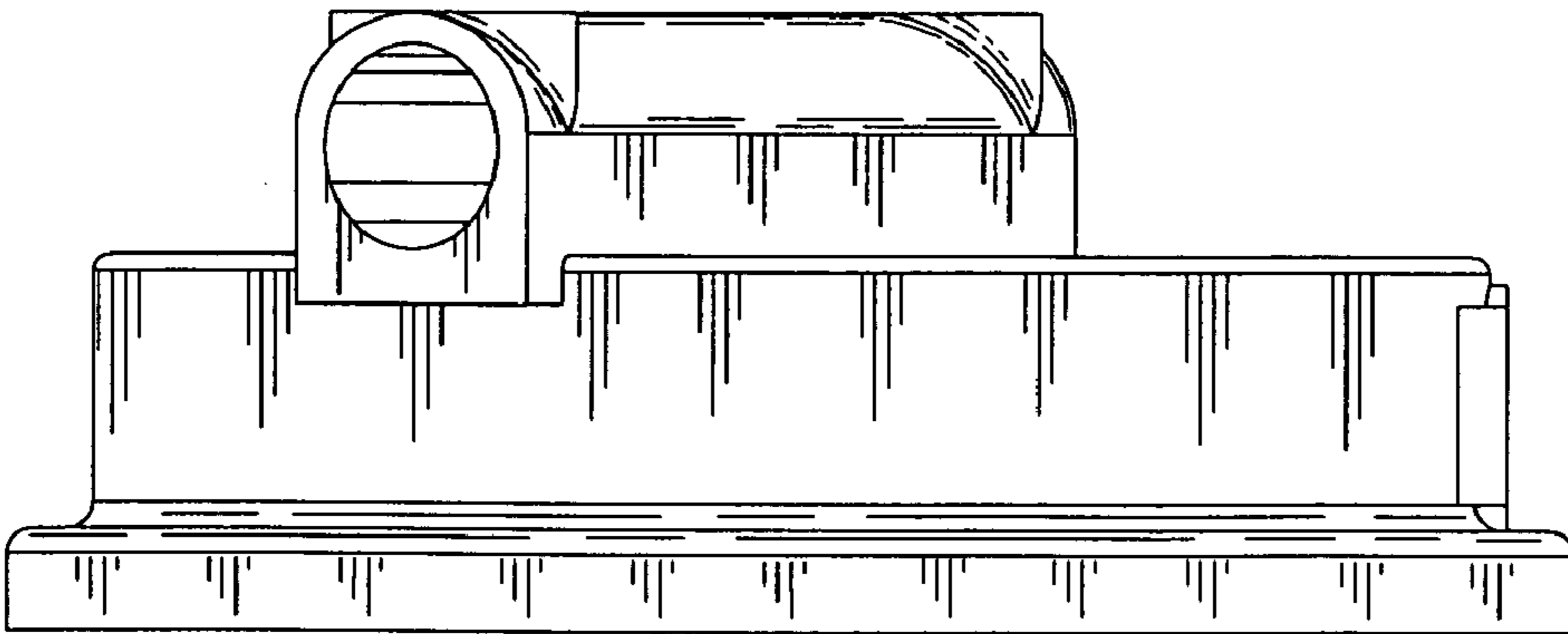


FIG. 6

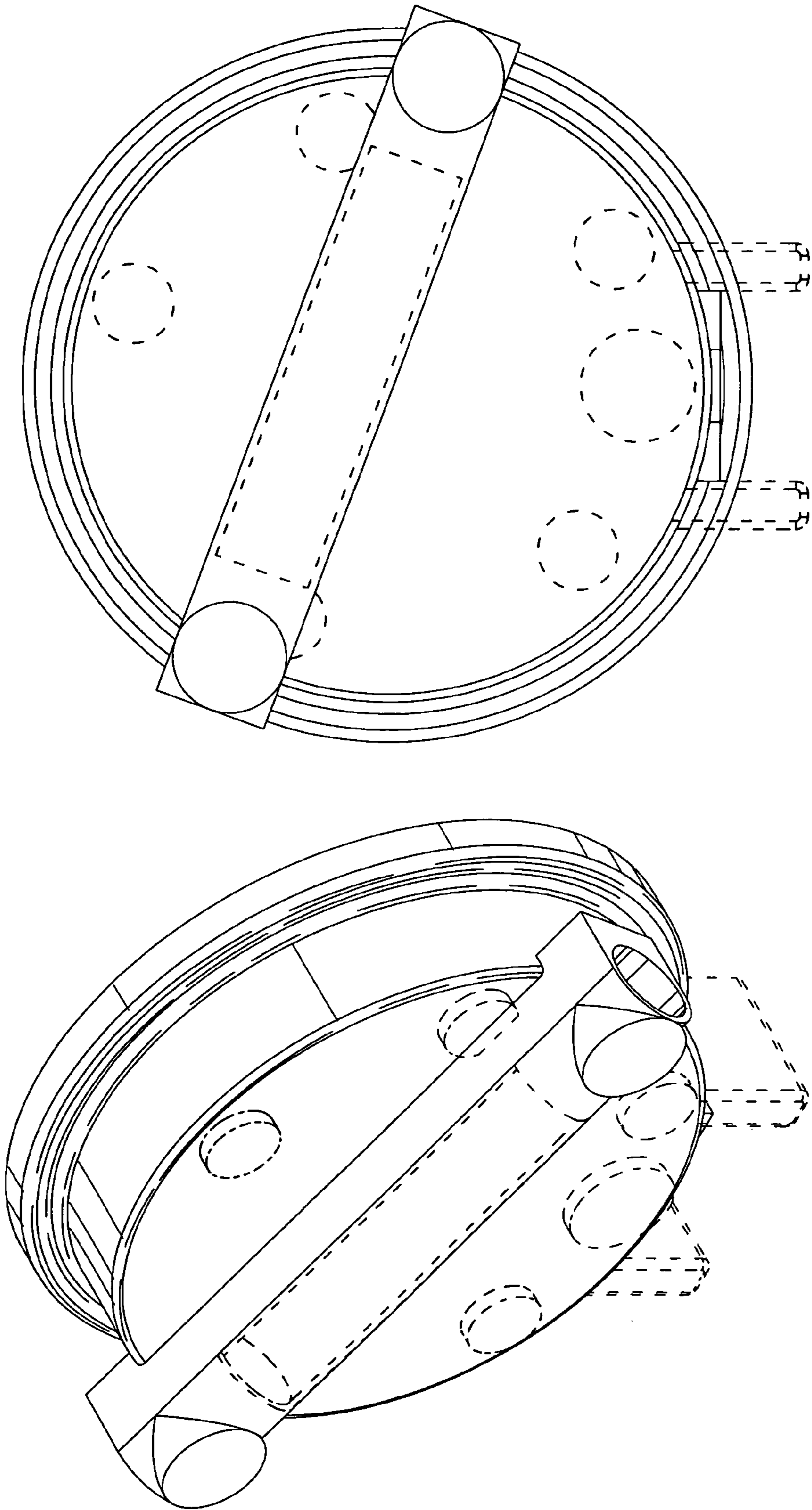


FIG. 10

FIG. 9