



US00D657386S

(12) **United States Design Patent**
Chu

(10) **Patent No.:** **US D657,386 S**
(45) **Date of Patent:** **** Apr. 10, 2012**

(54) **CAP FOR AIR COMPRESSOR**
(76) Inventor: **Henry C. Chu**, Orange, CA (US)
(**) Term: **14 Years**
(21) Appl. No.: **29/373,801**
(22) Filed: **May 24, 2011**
(51) **LOC (9) Cl.** **15-02**
(52) **U.S. Cl.** **D15/9**
(58) **Field of Classification Search** D15/7-9;
D23/231, 232; 417/410.1, 359, 415-416,
417/234, 321, 265, 405, 313
See application file for complete search history.

| | | | | |
|--------------|---------|-----|-------|-------|
| D557,287 S * | 12/2007 | Chu | | D15/9 |
| D557,288 S * | 12/2007 | Chu | | D15/9 |
| D574,854 S * | 8/2008 | Chu | | D15/9 |
| D574,855 S * | 8/2008 | Chu | | D15/9 |
| D574,858 S * | 8/2008 | Chu | | D15/9 |
| D575,306 S * | 8/2008 | Chu | | D15/9 |
| D575,307 S * | 8/2008 | Chu | | D15/9 |
| D575,802 S * | 8/2008 | Chu | | D15/9 |
| D589,064 S * | 3/2009 | Chu | | D15/9 |
| D589,534 S * | 3/2009 | Chu | | D15/9 |
| D603,873 S * | 11/2009 | Chu | | D15/9 |
| D603,874 S * | 11/2009 | Chu | | D15/9 |
| D603,875 S * | 11/2009 | Chu | | D15/9 |
| D617,349 S * | 6/2010 | Chu | | D15/9 |
| D647,925 S * | 11/2011 | Chu | | D15/9 |
| D648,749 S * | 11/2011 | Chu | | D15/9 |
| D648,751 S * | 11/2011 | Chu | | D15/9 |
| D648,752 S * | 11/2011 | Chu | | D15/9 |
| D648,753 S * | 11/2011 | Chu | | D15/9 |

(56) **References Cited**

* cited by examiner

U.S. PATENT DOCUMENTS

| | | | | |
|--------------|---------|------------------|-------|-------|
| D381,993 S * | 8/1997 | Takenaka et al. | | D15/9 |
| D429,738 S * | 8/2000 | Kayukawa et al. | | D15/9 |
| D441,377 S * | 5/2001 | Kawaguchi et al. | | D15/9 |
| D460,460 S * | 7/2002 | Kayukawa et al. | | D15/9 |
| D462,700 S * | 9/2002 | Fujita | | D15/9 |
| D506,477 S * | 6/2005 | Chu et al. | | D15/9 |
| D507,280 S * | 7/2005 | Chu et al. | | D15/9 |
| D529,049 S * | 9/2006 | Chu | | D15/9 |
| D529,050 S * | 9/2006 | Chu | | D15/9 |
| D529,517 S * | 10/2006 | Chu | | D15/9 |
| D529,927 S * | 10/2006 | Chu | | D15/9 |
| D529,928 S * | 10/2006 | Chu | | D15/9 |
| D529,929 S * | 10/2006 | Chu | | D15/9 |
| D529,930 S * | 10/2006 | Chu | | D15/9 |
| D533,881 S * | 12/2006 | Chu | | D15/9 |
| D540,824 S * | 4/2007 | Chu | | D15/9 |
| D541,307 S * | 4/2007 | Chu | | D15/9 |
| D541,308 S * | 4/2007 | Chu | | D15/9 |
| D554,666 S * | 11/2007 | Chu | | D15/9 |
| D554,667 S * | 11/2007 | Chu | | D15/9 |
| D555,174 S * | 11/2007 | Hwang | | D15/9 |
| D556,782 S * | 12/2007 | Chu | | D15/9 |
| D556,783 S * | 12/2007 | Chu | | D15/9 |
| D556,784 S * | 12/2007 | Chu | | D15/9 |
| D556,785 S * | 12/2007 | Chu | | D15/9 |
| D556,786 S * | 12/2007 | Chu | | D15/9 |

Primary Examiner — R. Seifert

(74) *Attorney, Agent, or Firm* — Charles E. Baxley

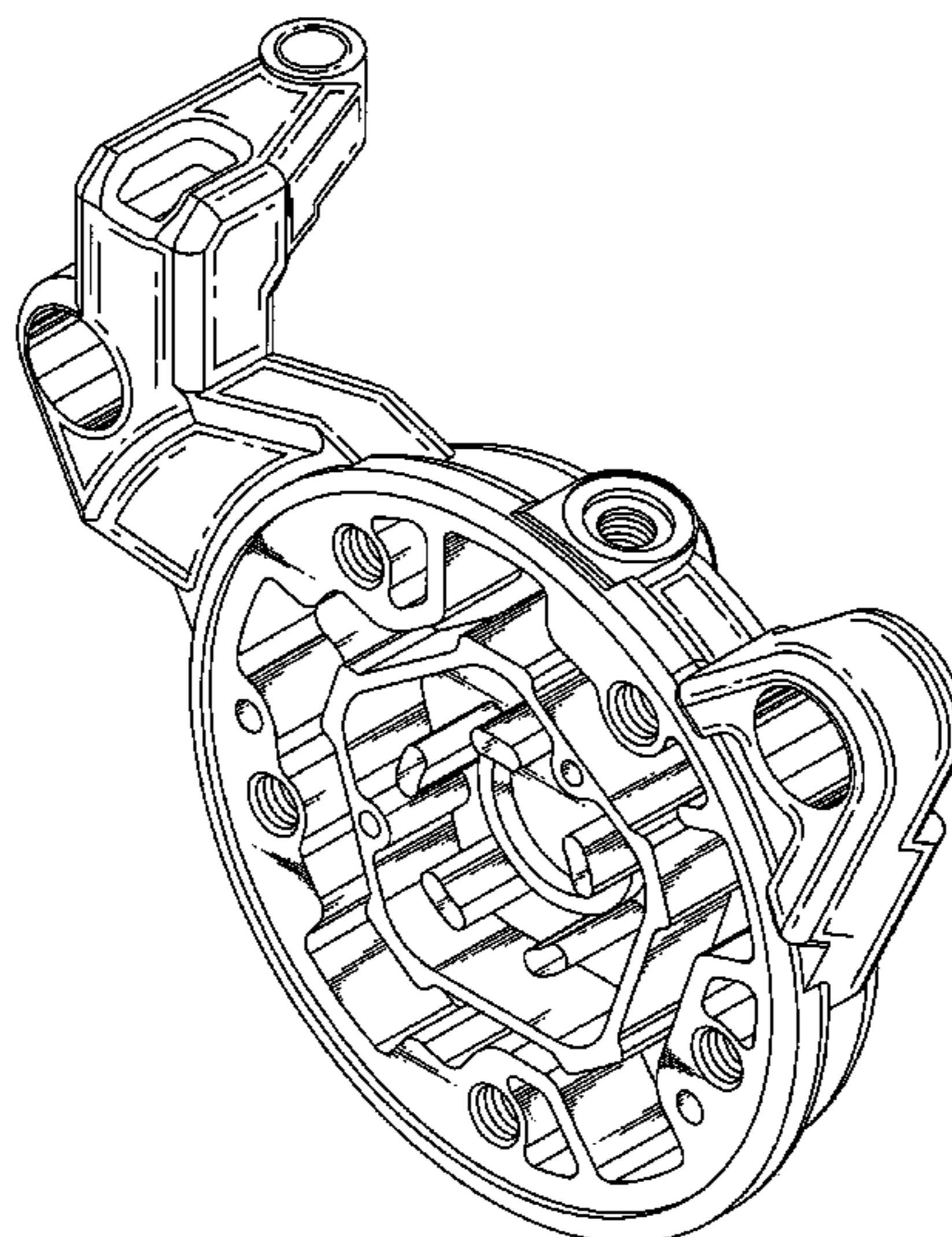
(57) **CLAIM**

The ornamental design for a cap for air compressor, as shown and described.

DESCRIPTION

FIG. 1 is a front perspective view of a cap for air compressor showing my new design;
FIG. 2 is a front elevational view thereof;
FIG. 3 is a rear elevational view thereof;
FIG. 4 is a top plan view thereof;
FIG. 5 is a bottom plan view thereof;
FIG. 6 is a left side elevational view thereof;
FIG. 7 is a right side elevational view thereof;
FIG. 8 is a rear perspective view thereof; and,
FIG. 9 is a rear perspective view thereof, the recesses and the bulges depicted by means of broken lines being for illustrative purposes only and forming no part of the claimed design.

1 Claim, 7 Drawing Sheets



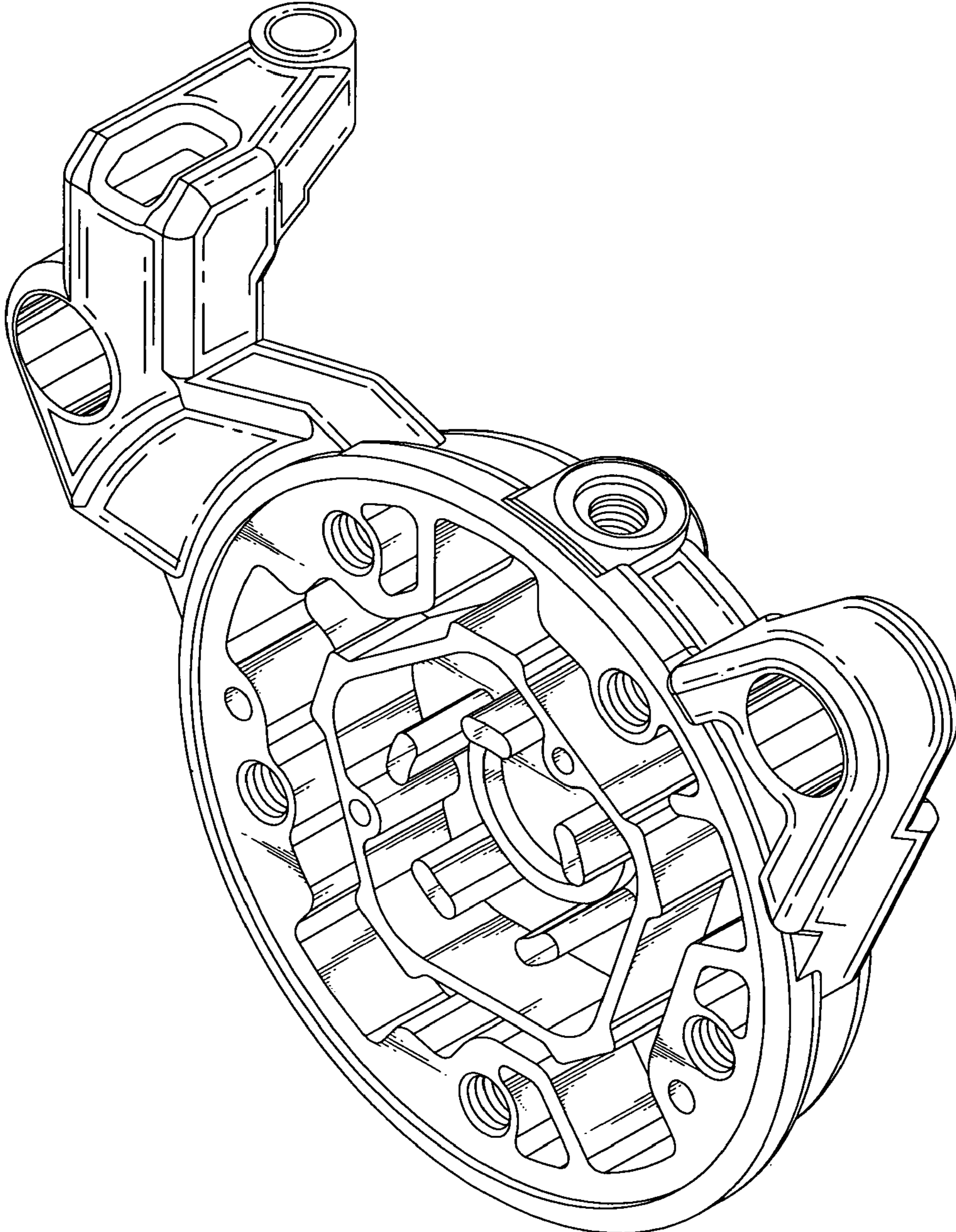


FIG. 1

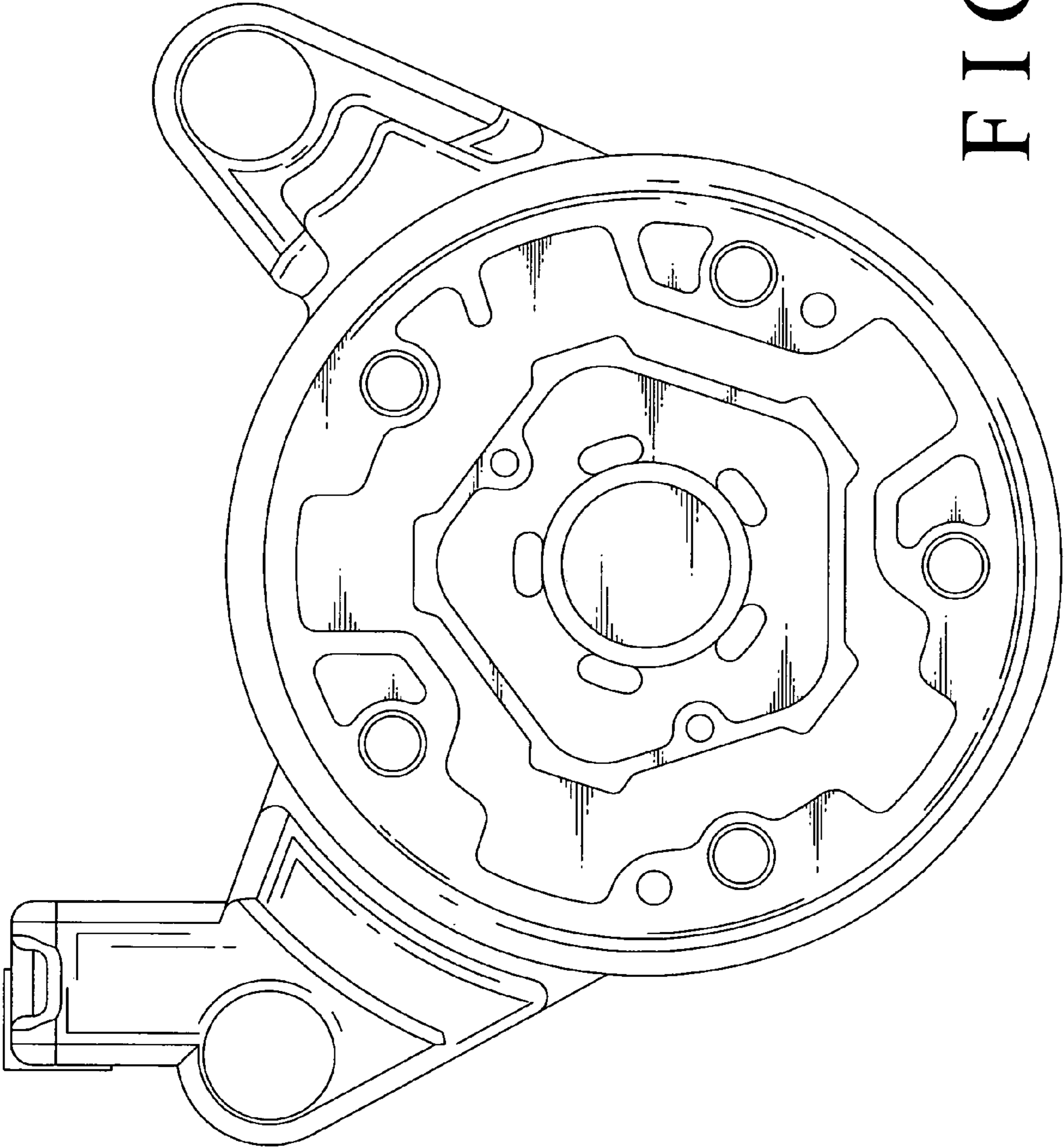


FIG. 2

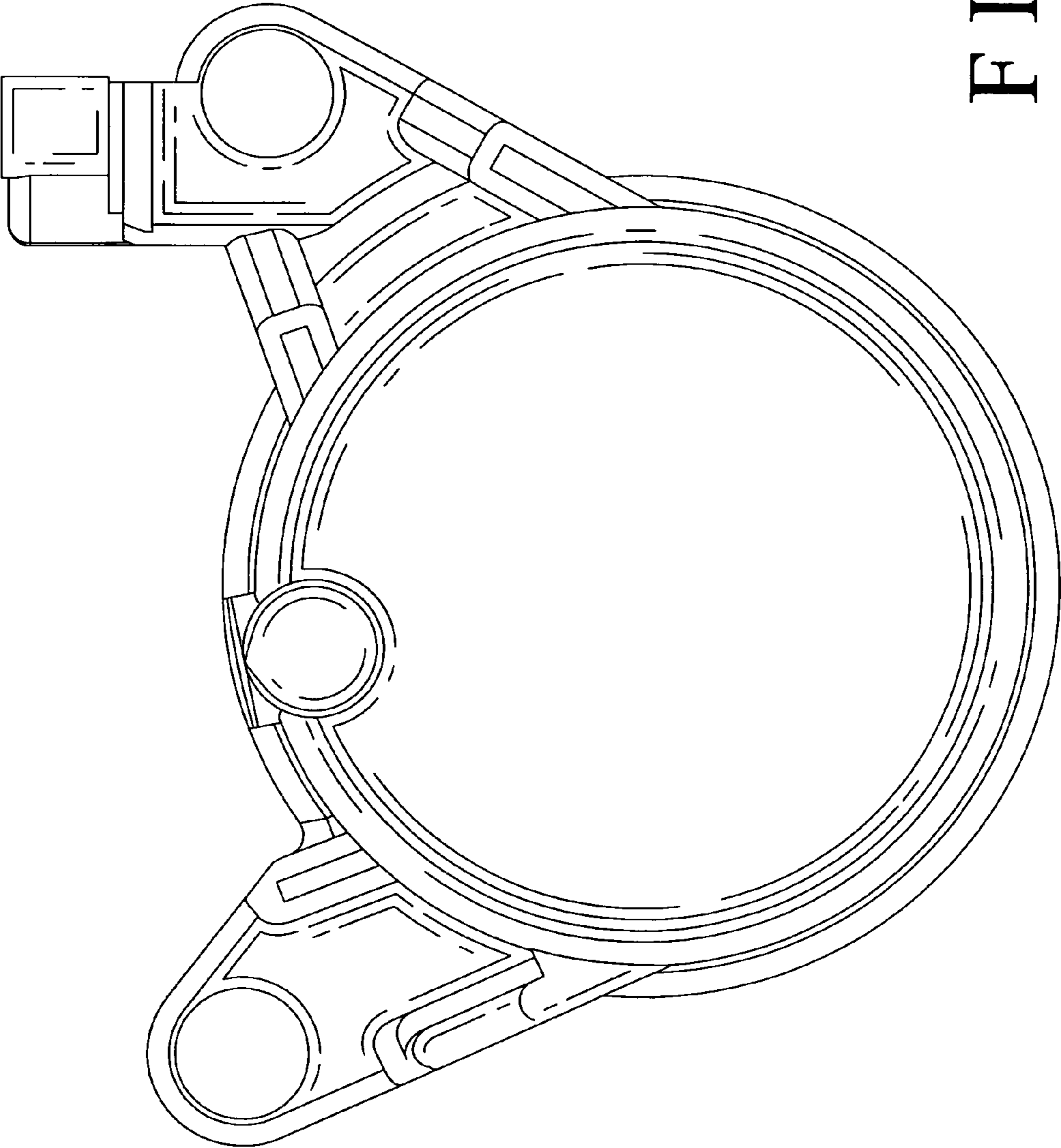


FIG. 3

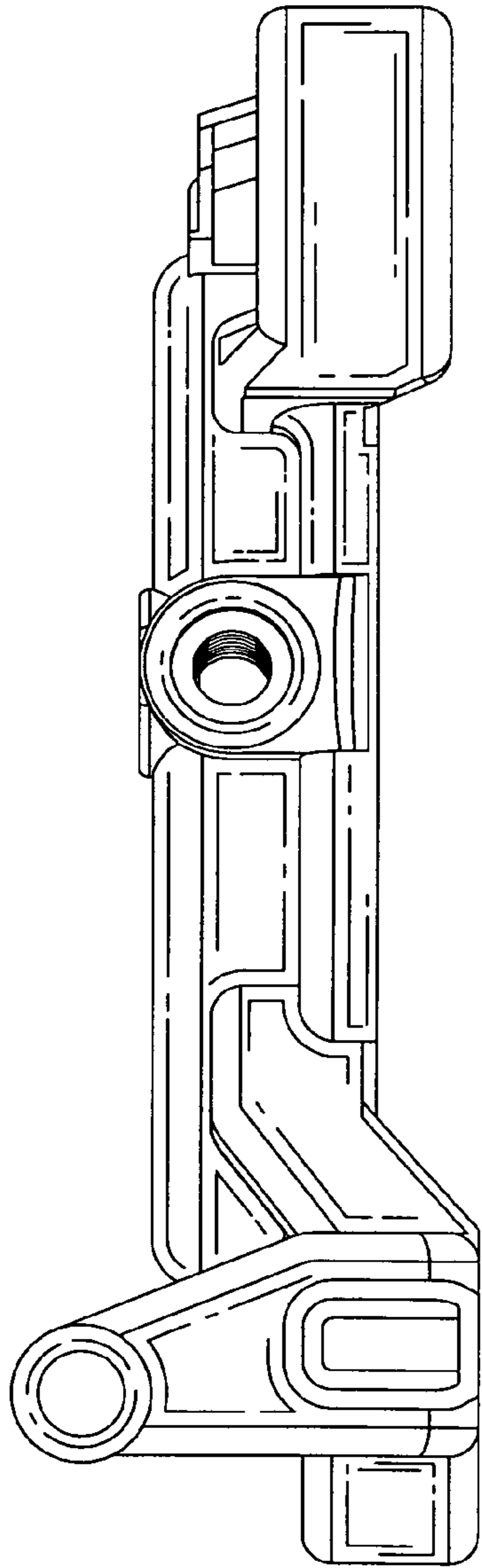


FIG. 4

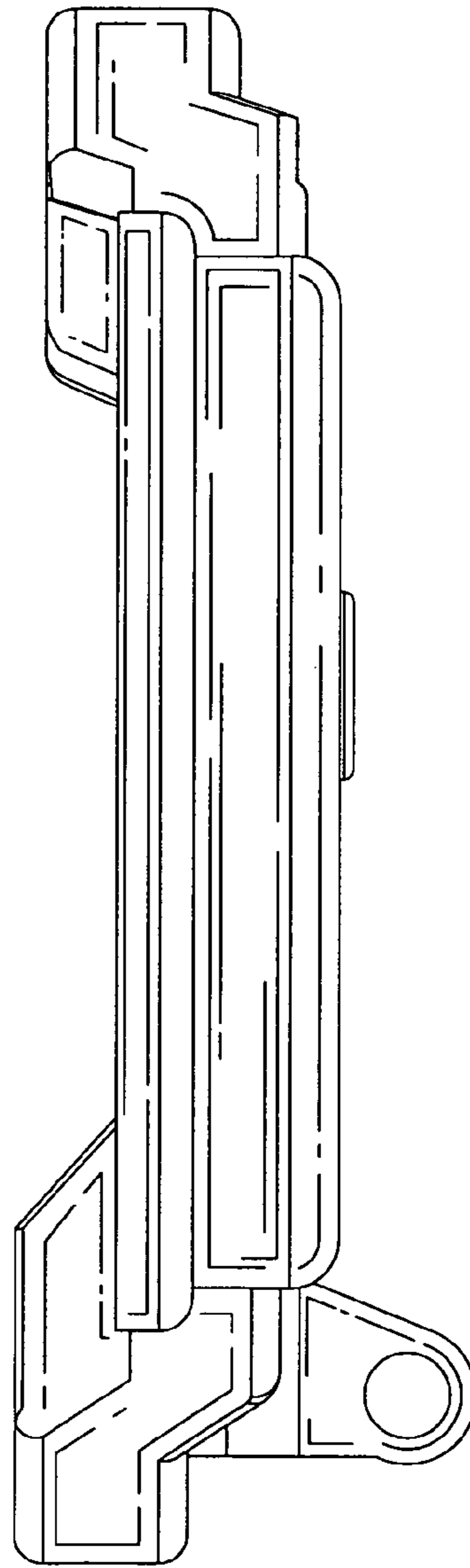


FIG. 5

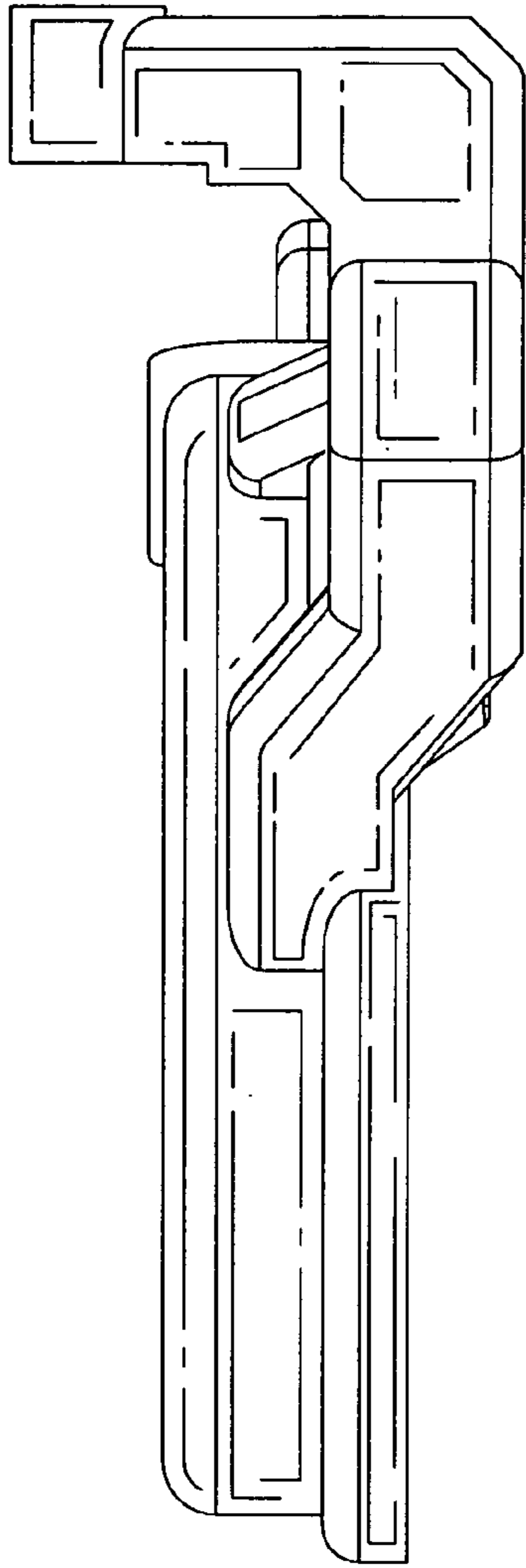


FIG. 6

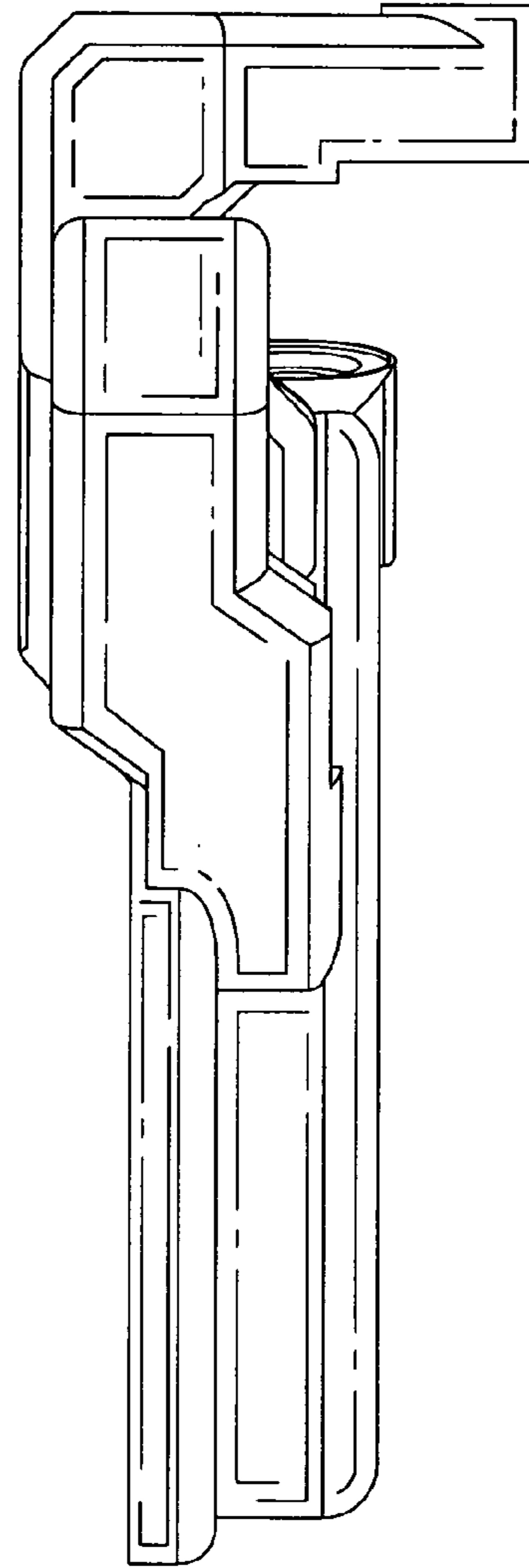


FIG. 7

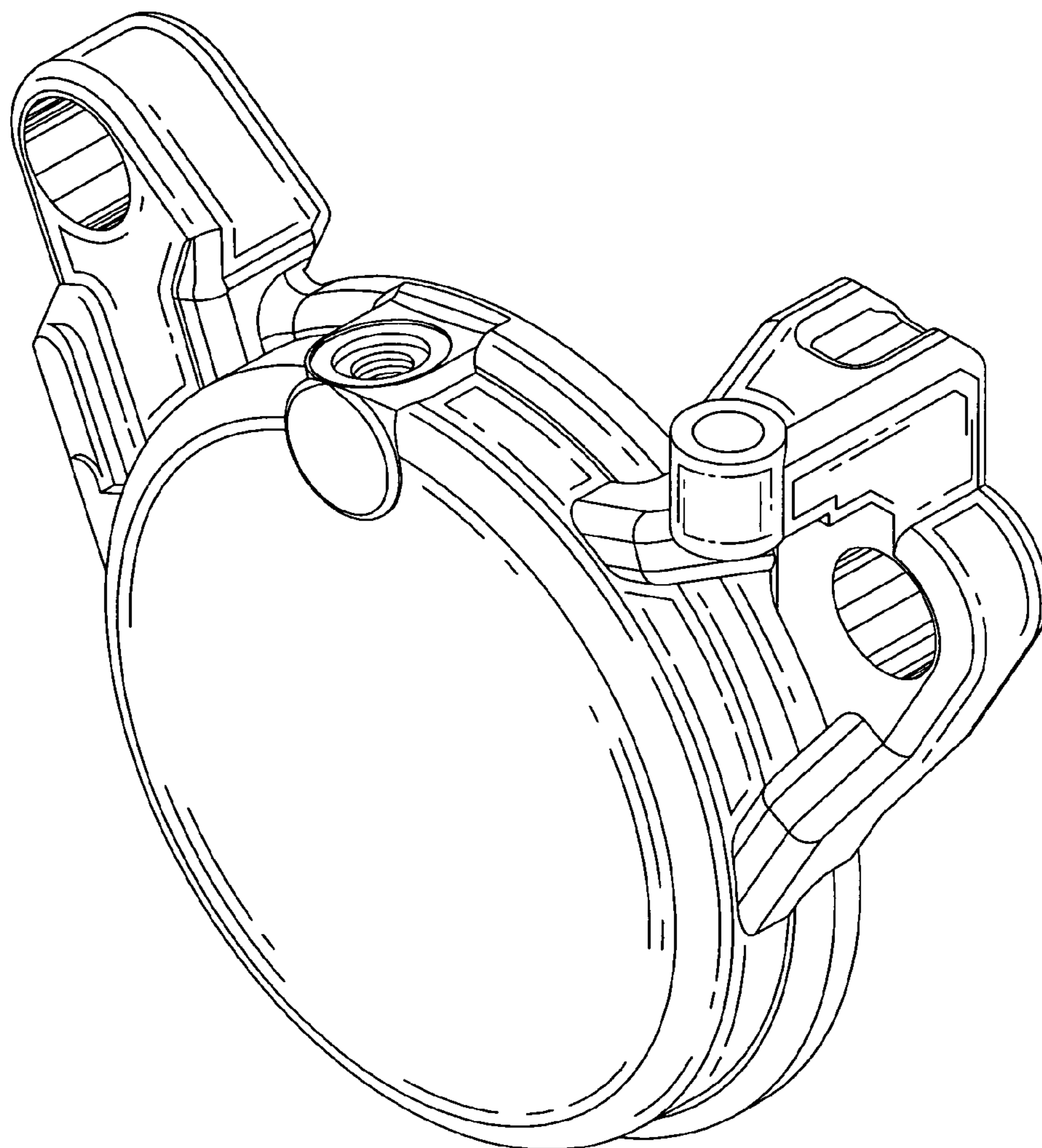


FIG. 8

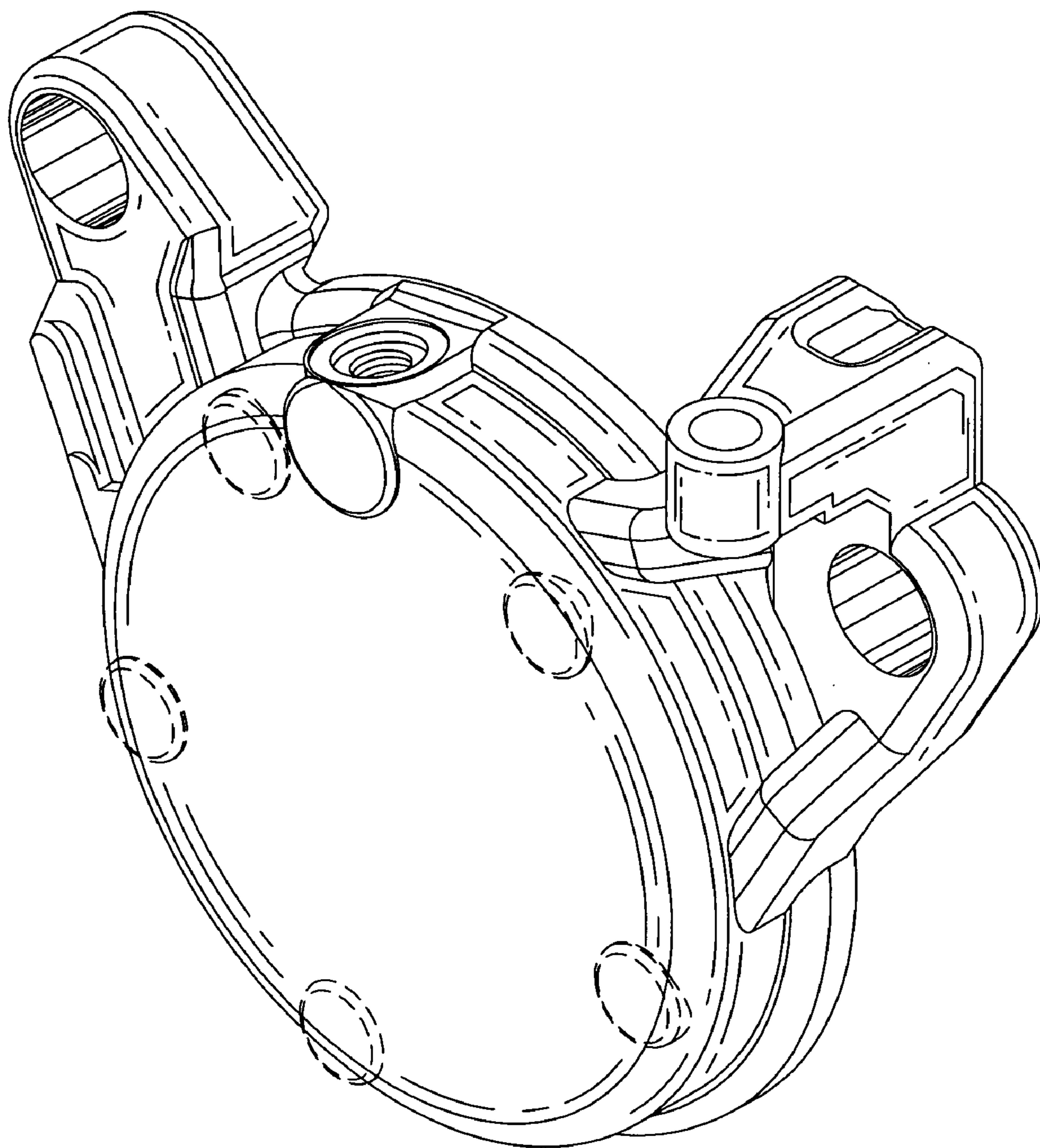


FIG. 9